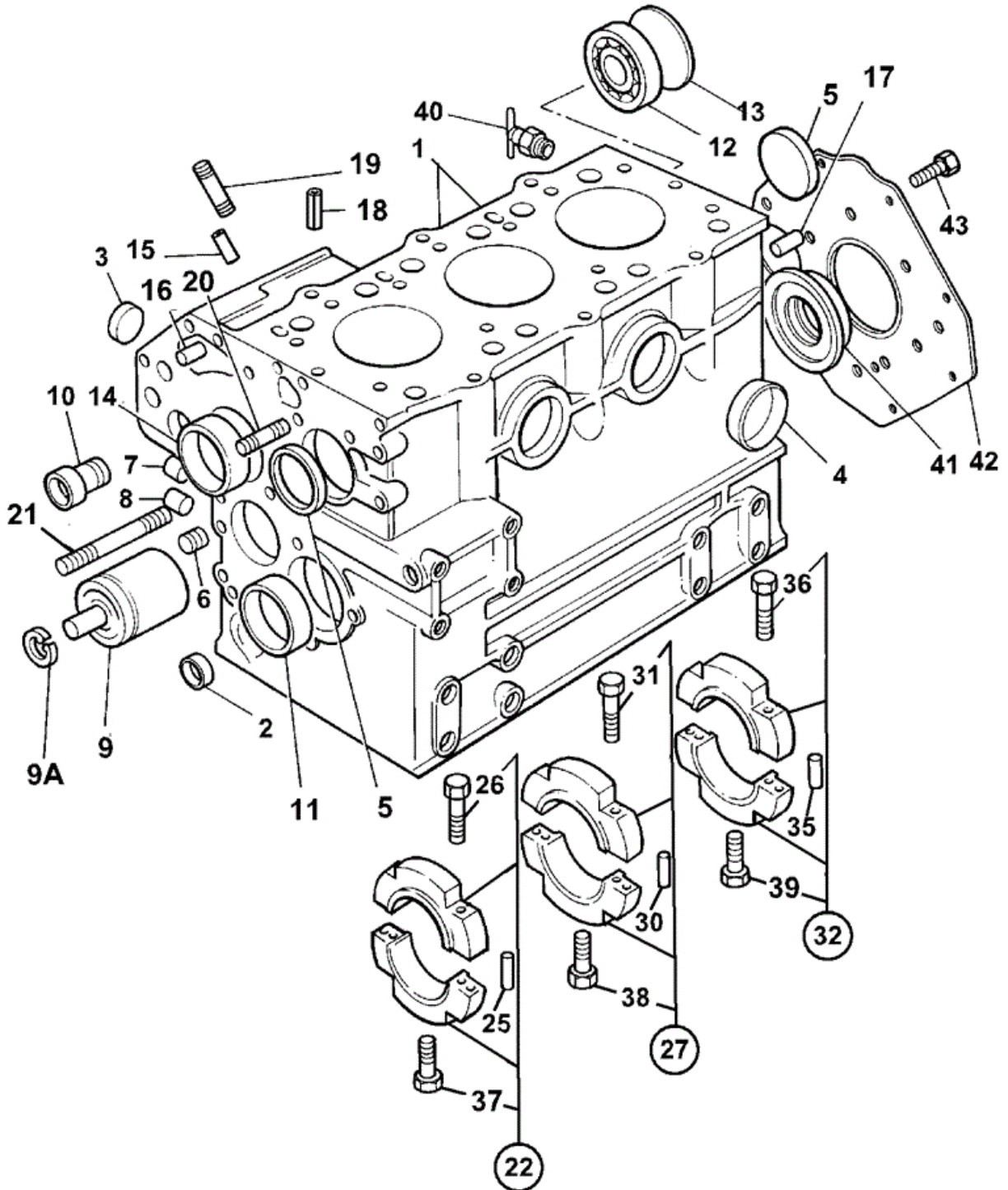


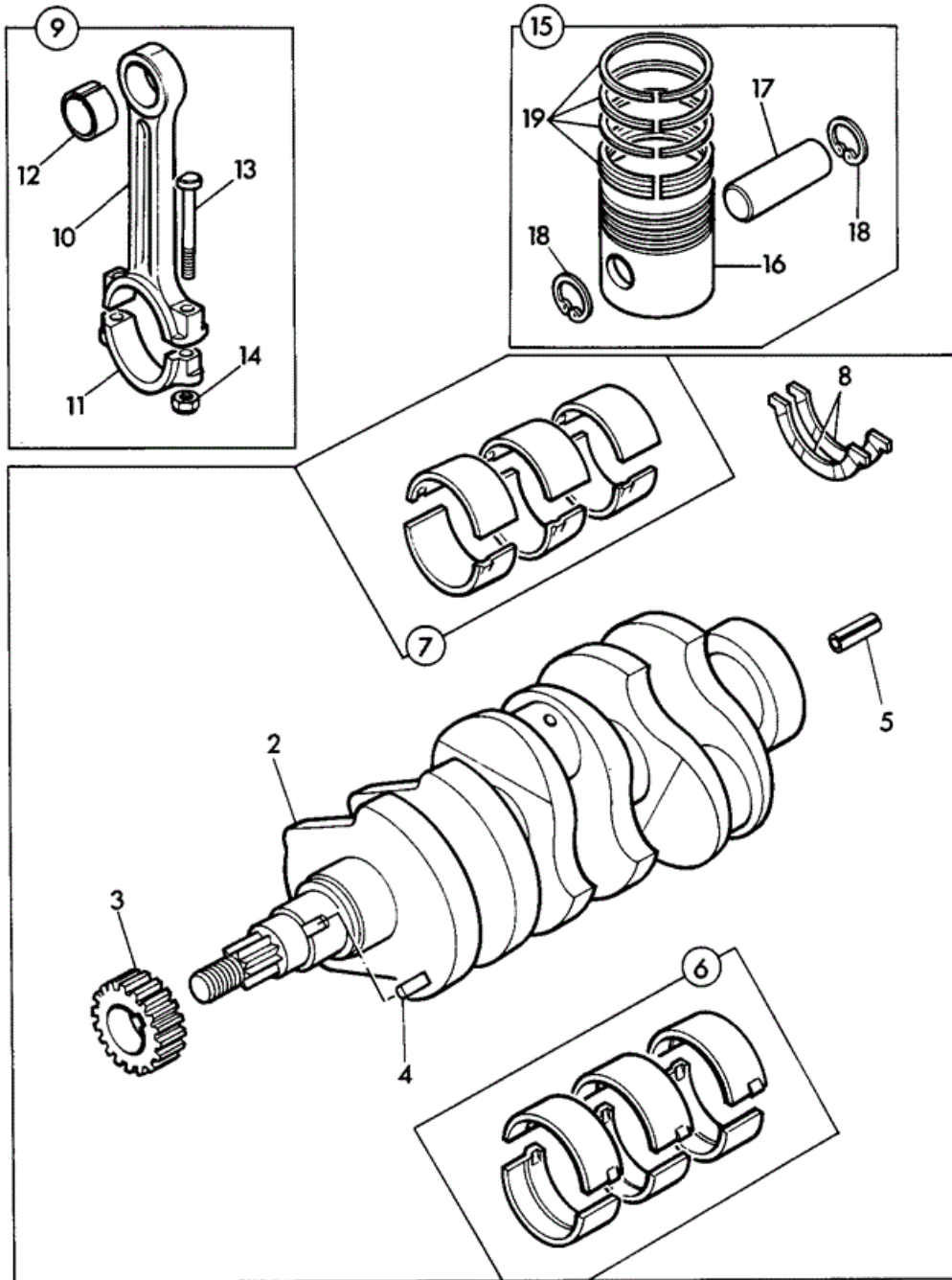


# 9802/5410 L1-3-1 BLOCK ASSEMBLY



H16900

Item	Part #	Change No	Description	Usage Code	QTY
1	02/630701		Block cylinder		1
2	:02/630001		Plug D=15		1
3	:02/630002		Plug D=25		1
4	:02/630004		Plug D=40mm		2
5	:02/630004		Plug D=40mm		2
6	:02/630702		Plug 10.4mm		3
7	:02/630006		Plug 6.5mm		4
8	:02/630007		Plug 8.4mm		2
9	:02/630703		Hub		1
9A	****		'See Remark' <i>See note</i>		1
10	:02/630009		Bush		1
11	:02/630704		Bush		1
11	02/630705		Bush oversize - 0.25mm		0
11	02/630706		Bush oversize - 0.50mm		0
12	:02/630013		Bearing		1
13	:02/630014		Plug core D=45mm		1
14	:02/630707		Bearing		1
15	:02/630024		Dowel		2
16	:02/630017		Dowel		2
17	:02/630018		Dowel		2
18	:02/630019		Pin		2
19	:02/630708		Stud		2
20	:02/630021		Stud		1
21	:02/630022		Stud		1
22	:02/630709		Cap bearing assembly		1
25	::02/630024		Dowel		2
26	::02/630710		Screw		2
27	:02/630026		Cap bearing assembly		1
30	::02/630024		Dowel		1
31	::02/630710		Screw		2
32	:02/630712		Cap bearing assembly		1
35	::02/630024		Dowel		2
36	::02/630710		Screw		2
37	:02/630713		Screw		1
38	:02/630713		Screw		1
39	:02/630714		Screw		2
40	02/630031		Tap drain		1
41	02/630772		Seal rear oil		1
42	02/630771		Plate		1
43	02/630345		Screw		10



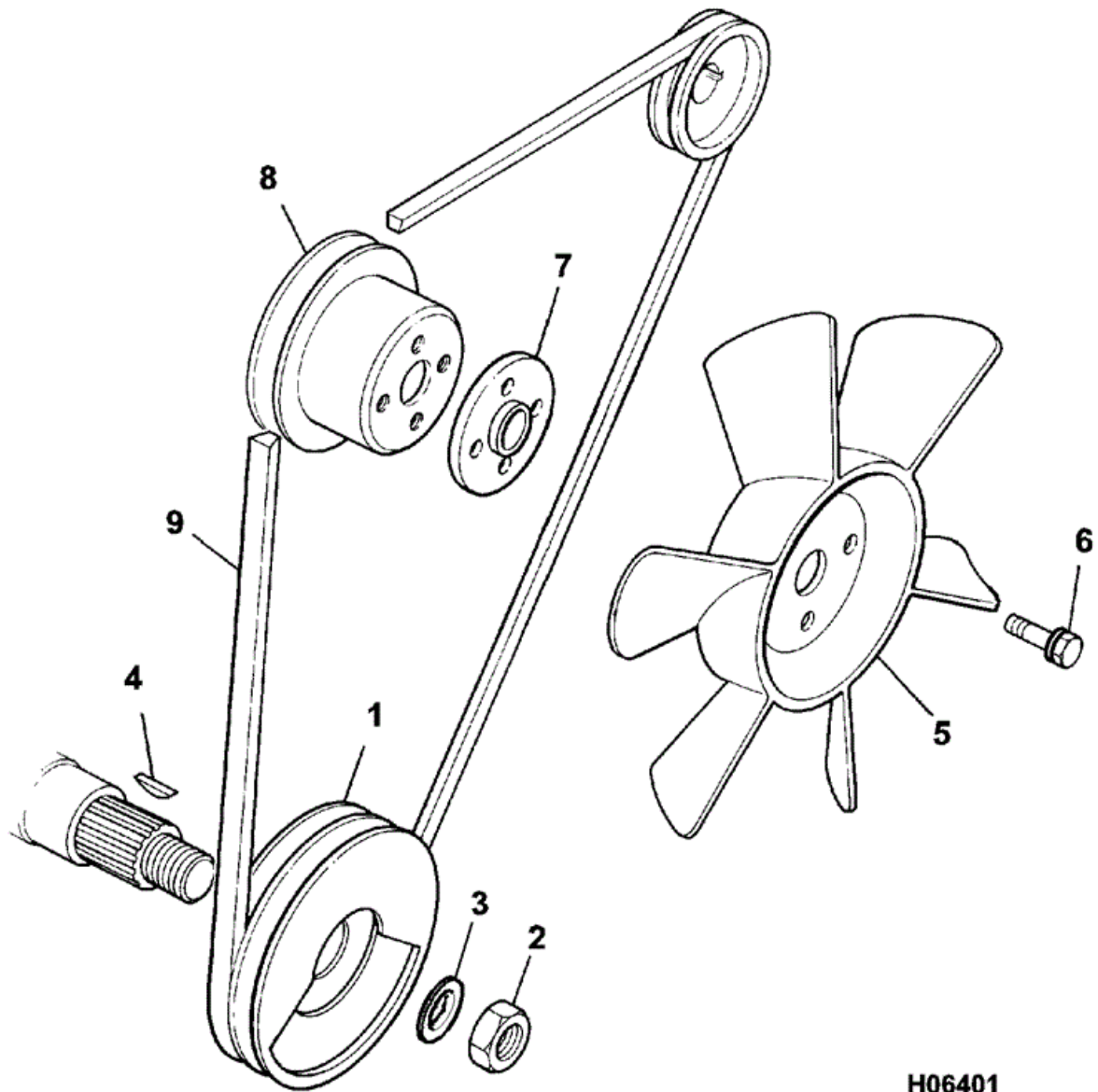
118611

Item	Part #	Change No	Description	Usage Code	QTY
1	02/630715		Crankshaft assembly		1
2	****		None serviced part		1
3	:02/630716		Gear		1
4	:02/630042		Key		1
5	:02/630043		Pin		1

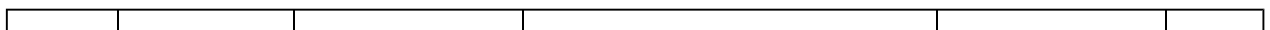
6	:02/630717	Kit-bearing main standard	1
6	:02/630718	Kit-bearing main undersize - 0.25mm	0
6	:02/630719	Kit-bearing main undersize - 0.50mm	0
7	:02/630720	Kit-bearing big end standard	1
7	:02/630721	Kit-bearing big end undersize - 0.25mm	0
7	:02/630722	Kit-bearing big end undersize - 0.50mm	0
8	:02/630723	Washer thrust	2
9	02/630724	Conrod assembly	3
10	****	None serviced part	1
11	****	None serviced part	1
12	:02/630725	Bush small end	1
13	:02/630726	Screw	2
14	:02/630727	Nut	2
15	02/630728	Piston assembly standard	3
15	02/630729	Piston assembly oversize - 0.5mm	0
15	02/630730	Piston assembly oversize - 1.0mm	0
16	****	None serviced part	1
17	:02/630731	Pin gudgeon	1
18	:02/630732	Circlip	2
19	:02/631263	Kit-piston ring standard	1
19	02/631261	Kit-piston ring oversize - 0.5mm	0
19	02/631263	Kit-piston ring standard	0



# 9802/5410 L1-5-1 FANS, PULLEYS & FAN BELT



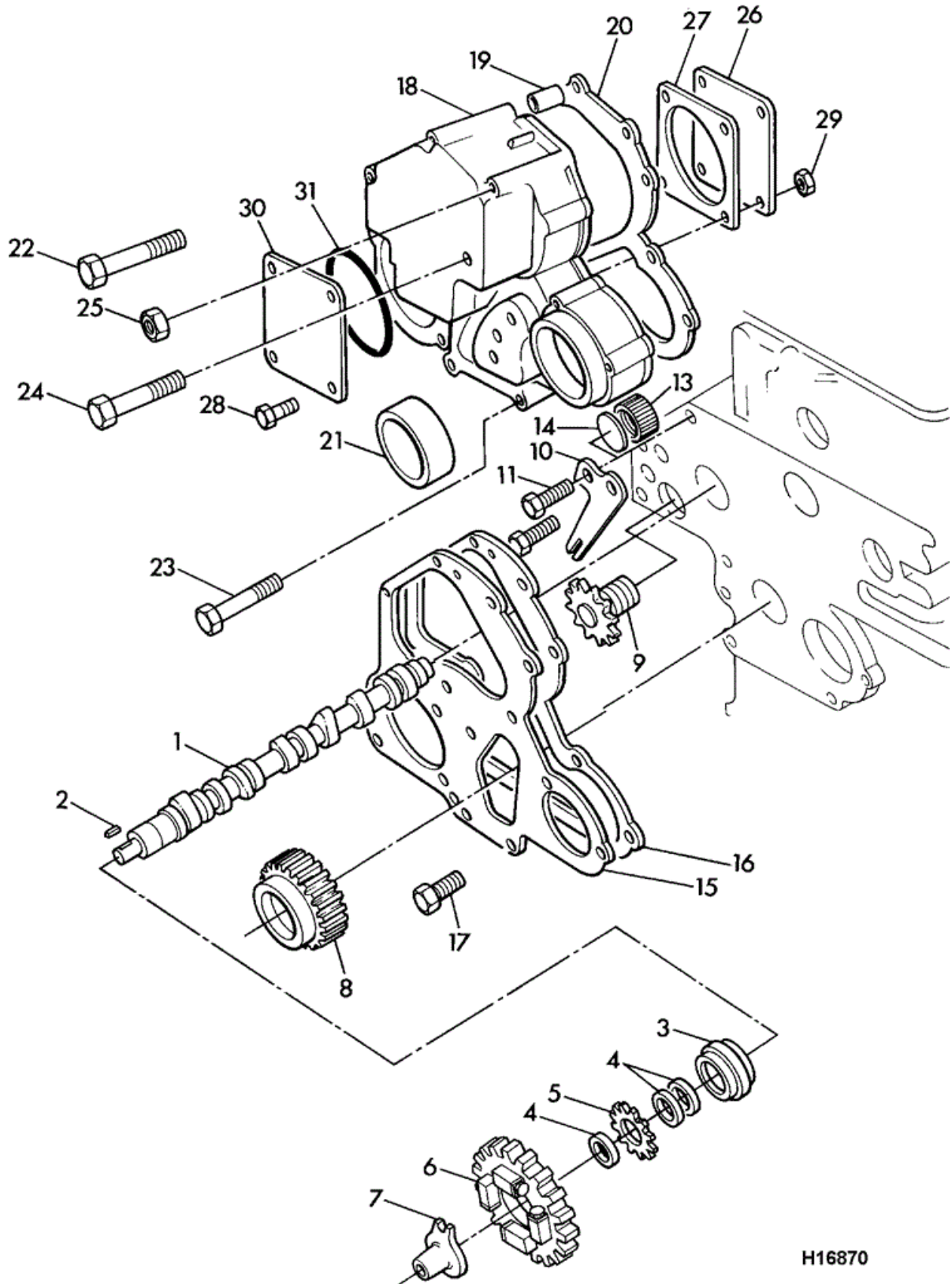
H06401



Item	Part #	Change No	Description	Usage Code	QTY
1	02/630777		Pulley crankshaft		0
2	02/630778		Nut		0
3	02/630779		Washer		0
4	02/630068		Key <i>Crankshaft pulley</i>		0
5	02/630830		Fan <i>340mm</i>		0
6	02/630832		Screw		0
7	02/630069		Spacer fan		0
8	02/630835		Pulley water pump		0
9	02/630852		Belt fan		0



# 9802/5410 L1-6-1 TIMING CASE, CAMSHAFT & GEARS

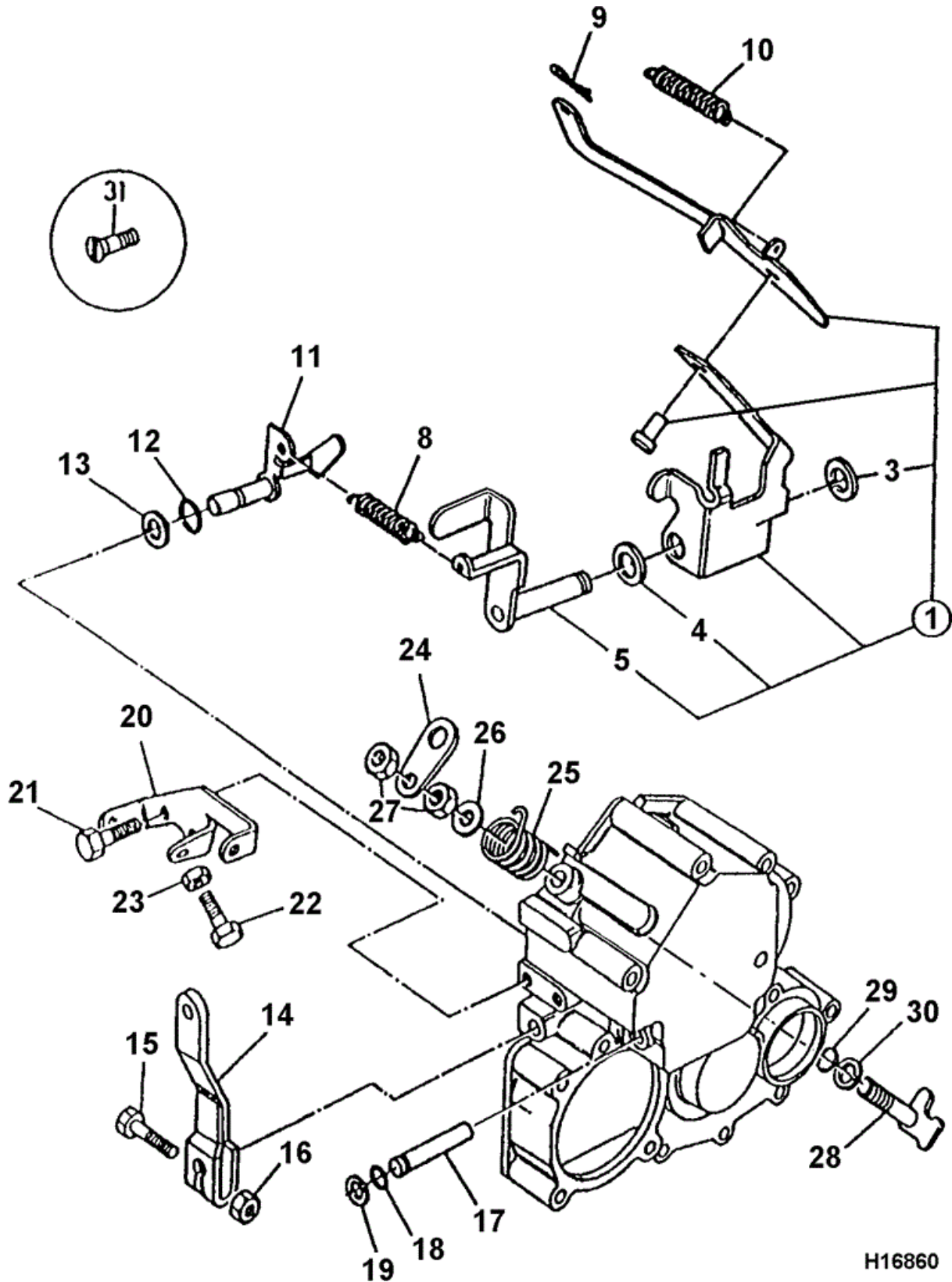


H16870

Item	Part #	Change No	Description	Usage Code	QTY
1	02/630770		Camshaft		1
2	:02/630068		Key		1
3	:02/630769		Bearing		1
4	:02/630082		Spacer		3
5	:02/630083		Gear		1
6	:02/630768		Gear		1
7	:02/630085		Tappet		1
8	****		'See Remark' <i>See L5-2-2</i>		1
9	02/630100		Shaft		1
10	02/630101		Plate		1
11	02/630102		Screw		2
13	02/630104		Cap		1
14	02/630105		Seal		1
15	02/630767		Plate		1
16	02/630766		Gasket		1
17	02/630172		Bolt		2
18	02/630765		Casing timing		1
19	:02/630089		Pin		1
20	02/630764		Gasket		1
21	02/630763		Seal front oil		1
22	02/630762		Screw		6
23	02/630093		Screw		2
24	02/630095		Screw		5
25	02/630096		Nut		1
26	02/630097		Plate		1
27	02/630098		Gasket		1
28	02/630099		Screw		4
29	02/630078		Nut		4
30	02/630097		Plate		1
31	02/630079		O Ring		1



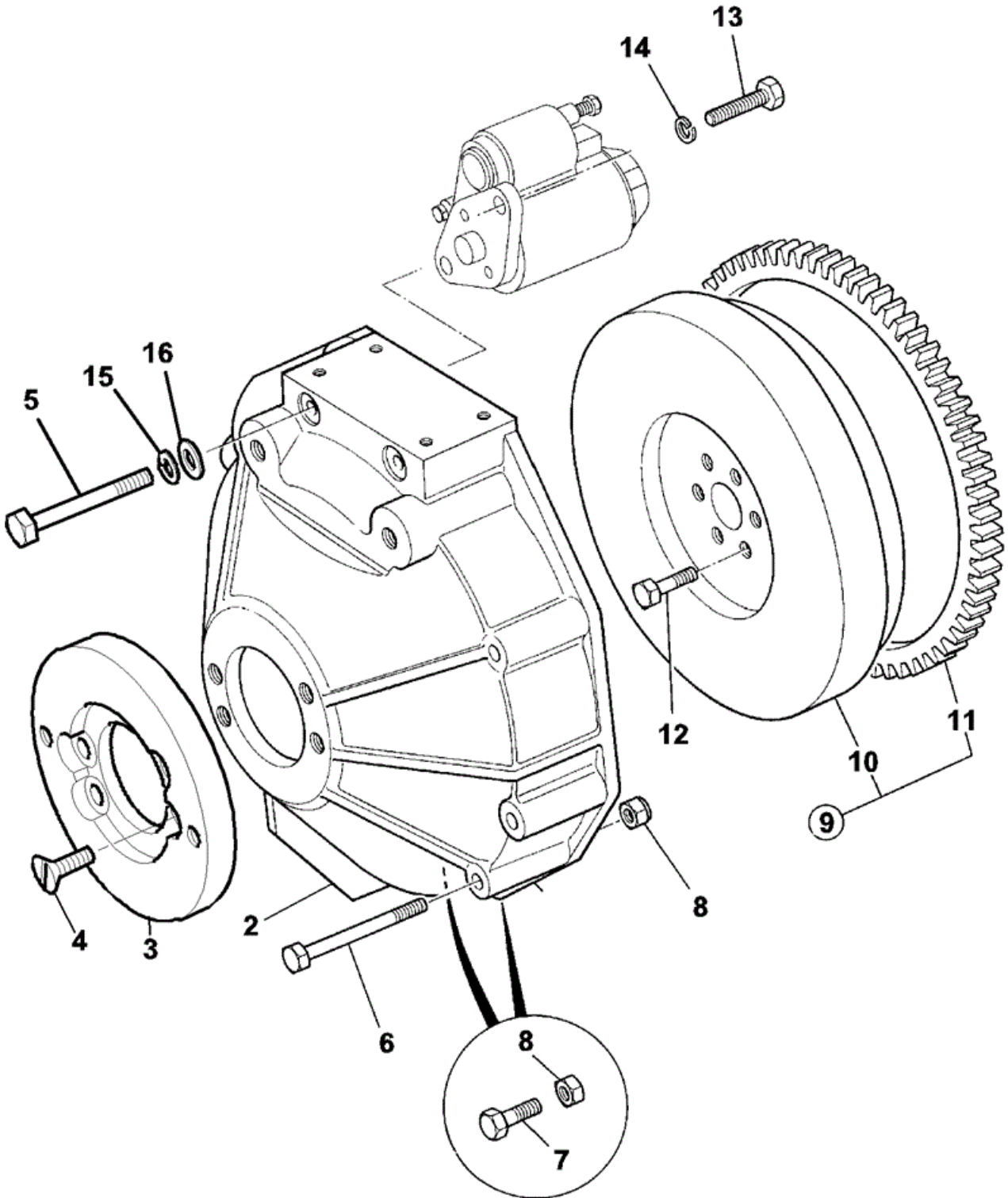
**JCB** 9802/5410 L1-6-2 TIMING LEVERS, ARMS & SPRINGS



H16860

Item	Part #	Change No	Description	Usage Code	QTY
1	02/630780		Lever assembly		1
2	****		None serviced part		1
3	:02/630107		Circlip		1
4	:02/630108		Washer		1
5	:02/630781		Lever		1
6	****		None serviced part		1
7	****		None serviced part		1
8	02/630782		Spring		1
9	02/630111		Pin		1
10	02/630112		Spring		1
11	02/630113		Arm		1
12	02/630114		O Ring		1
13	02/630107		Circlip		1
14	02/630115		Lever		1
15	02/630784		Screw		1
16	02/630096		Nut		1
17	02/630785		Shaft		1
18	02/630119		O Ring		1
19	02/630120		Circlip		1
20	02/630121		Stay		1
21	02/630122		Screw		2
22	02/630131		Screw		1
23	02/630096		Nut		2
24	02/630124		Lever		1
25	02/630125		Spring		1
26	02/630126		Washer		1
27	02/630127		Nut		2
28	02/630128		Arm		1
29	02/630129		O Ring		1
30	02/630130		Circlip		1
31	02/630123		Screw <i>Governor lever setting</i>		1

**JCB** 9802/5410 L1-7-1 FLYWHEEL & HOUSING

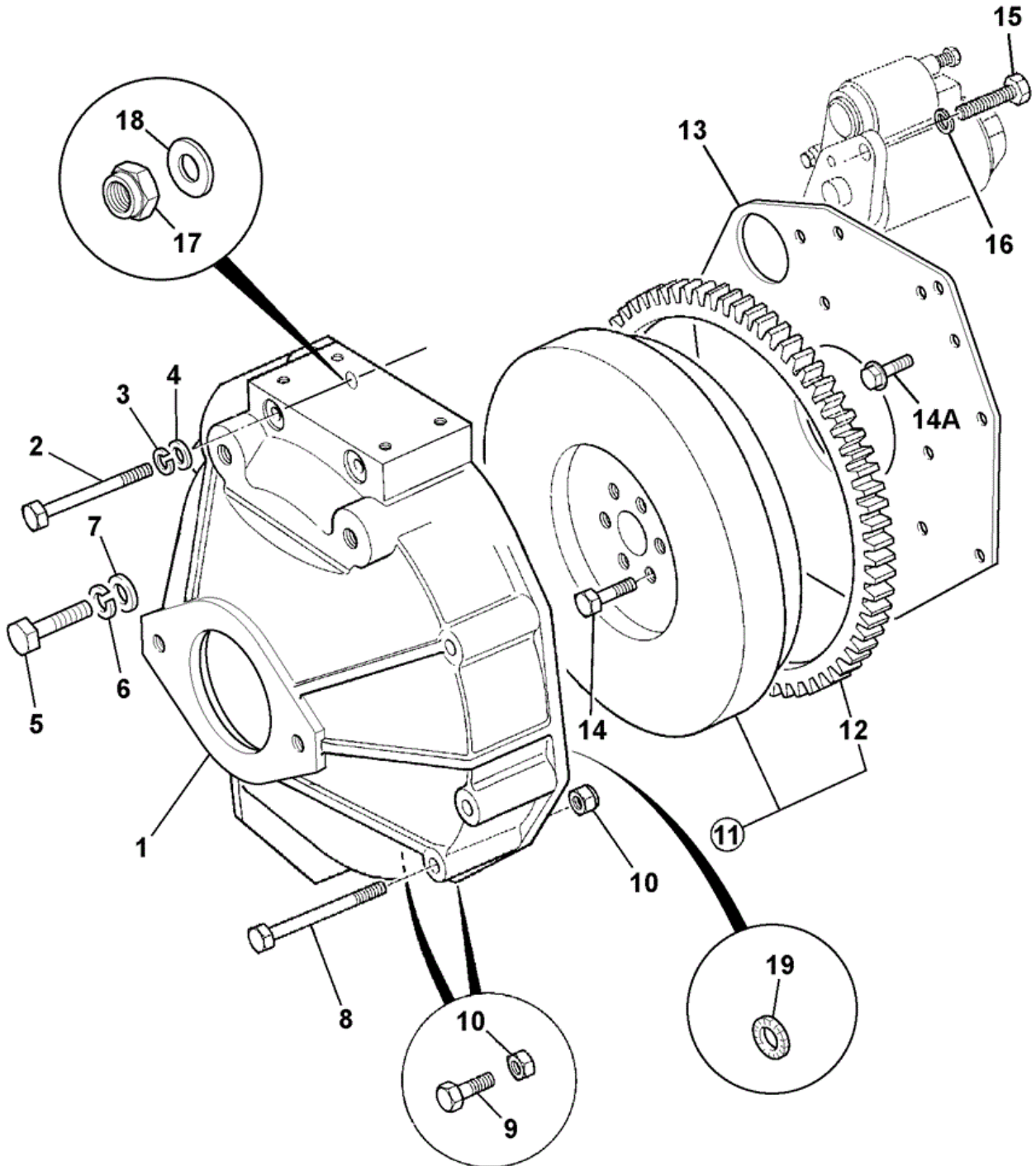


H27520

Item	Part #	Change No	Description	Usage Code	QTY
2	:232/40001	<M733268	Housing Flywheel		1
2	589/10058		Housing flywheel		1
3	:232/69902	<M733268	Plate adaptor <i>Coupling flange, Also see E2-1-1</i>		1
4	:826/01399	<M733268	Screw countersunk		4
5	1315/3419Z		Bolt M10x90mm		2
6	1315/3420Z		Bolt (M10 X 100)		5
7	1315/0409Z		Setscrew M10 x 35		2
8	1370/0303Z		Nut lock M10		7
9	N.S.P.		None serviced part		1
10	:02/630773		Flywheel assembly		1
11	:02/630774		Gear starter ring		1
12	02/630775		Bolt		6
13	02/630776		Screw		2
14	02/630134		Washer spring		2
15	1425/0008Z		Spring Washer		2
16	1420/0008Z		Washer (M10)		2



# 9802/5410 L1-7-2 FLYWHEEL & HOUSING

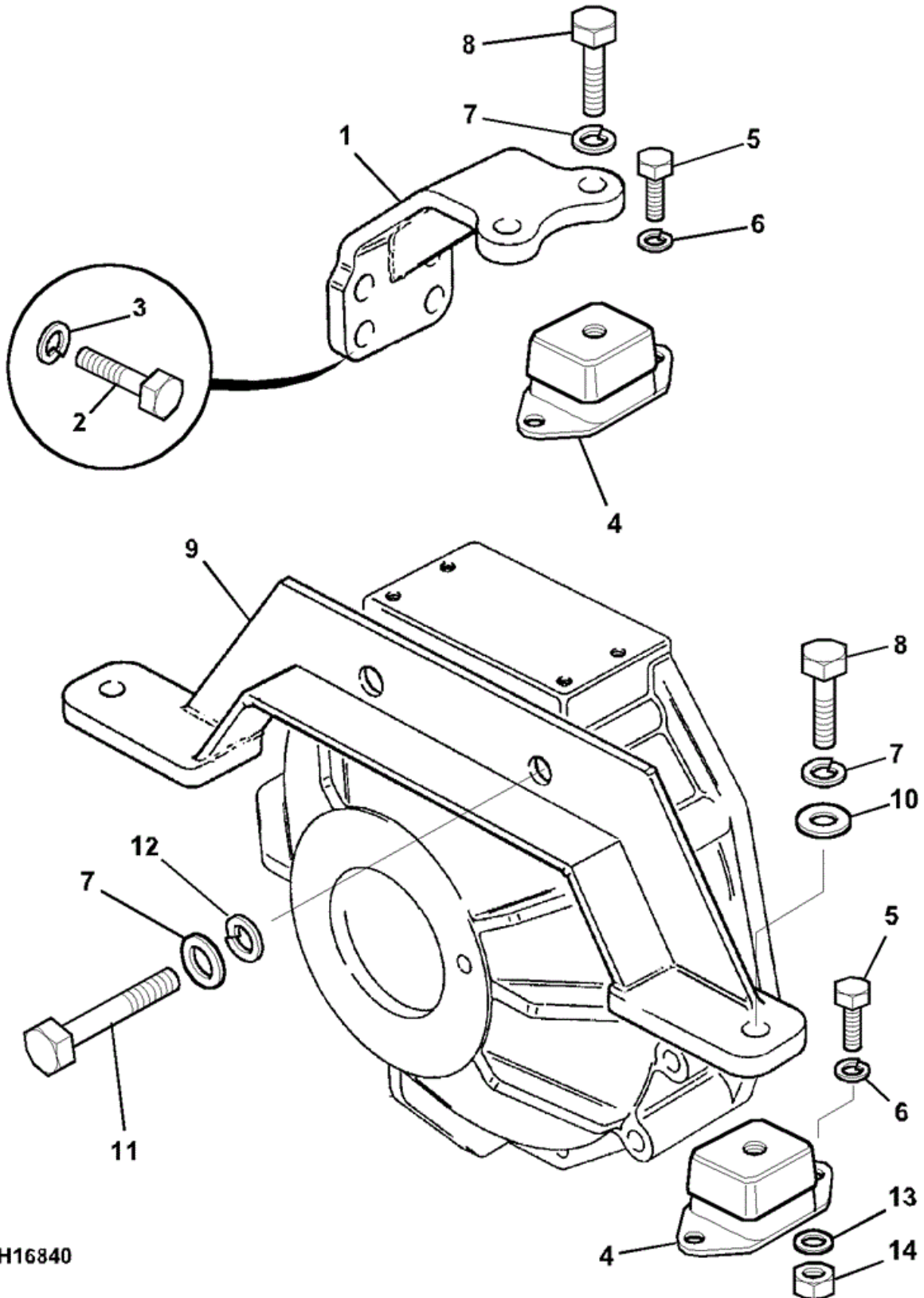


**384651**

Item	Part #	Change No	Description	Usage Code	QTY
1	589/10058		Housing flywheel		1
2	1315/3419Z		Bolt M10x90mm		2
3	1425/0008Z		Spring Washer		4

4	1420/0008Z		Washer (M10)	2
5	1315/0507Z		Setscrew M12 x 25	5
6	1425/0009Z		Washer Spring M12	9
7	1420/0009Z		Washer (M12)	3
8	1315/3421Z		Bolt M10 x 110	5
9	1315/0409Z		Setscrew M10 x 35	2
10	1370/0303Z		Nut lock M10	7
11	02/630841		Flywheel assembly	1
12	:02/630774		Gear starter ring	1
13	02/630771		Plate	1
14	02/630775		Bolt	6
14A	02/634112		Screw	10
15	826/10732		Screw	2
16	02/630108		Washer	2
17	02/634059		Nut	2
18	02/630134		Washer spring	2
19	823/00532		Washer external lock <i>Used with -VE Battery lead</i>	2

**JCB** 9802/5410 L1-8-1 ENGINE MOUNTINGS



H16840

Thank you so much for reading.  
Please click the “Buy Now!”  
button below to download the  
complete manual.



After you pay.

You can download the most  
perfect and complete manual in  
the world immediately.

Our support email:

[ebooklibonline@outlook.com](mailto:ebooklibonline@outlook.com)