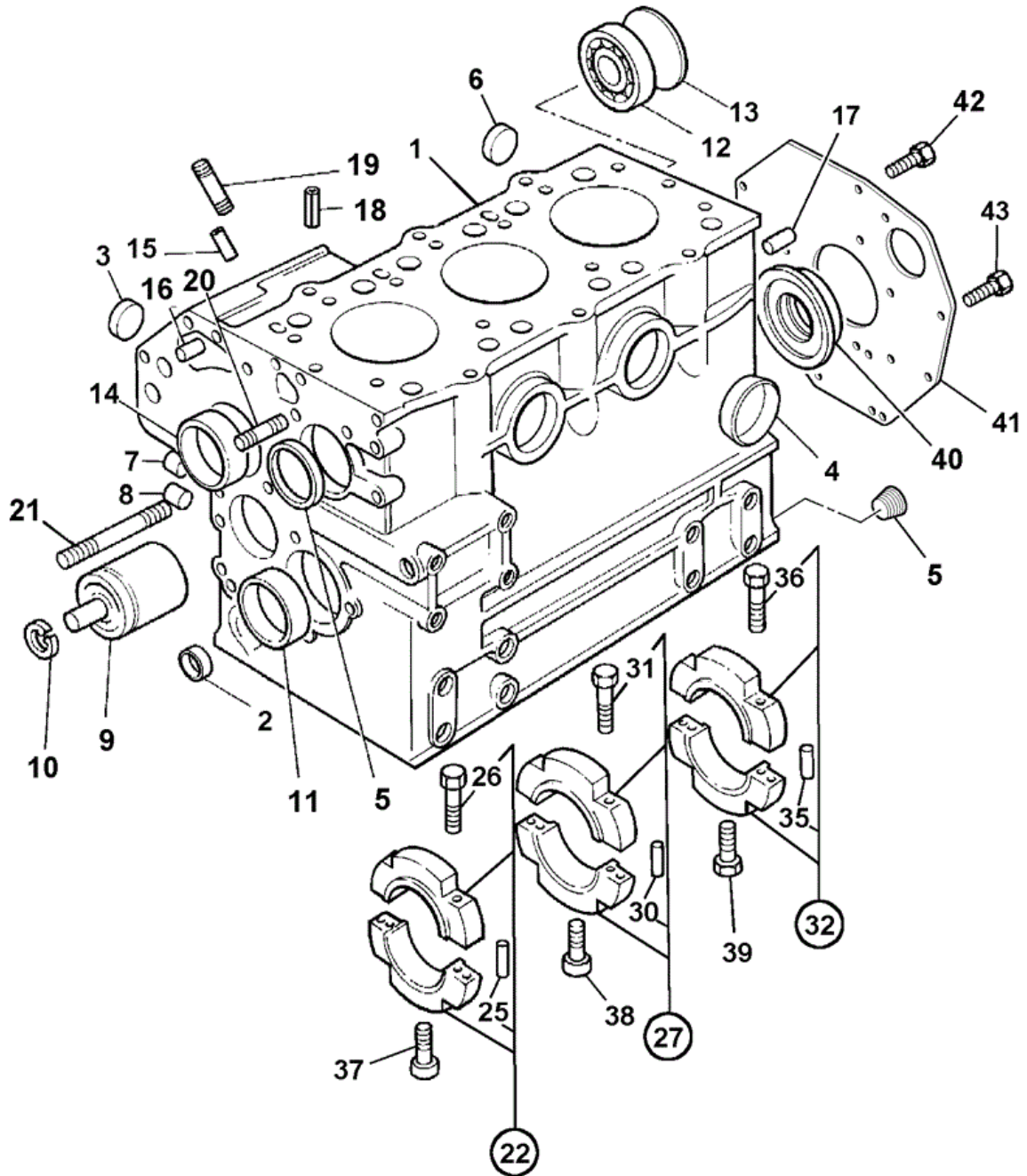




## 9822/0570 V120-1-1 CYLINDER BLOCK



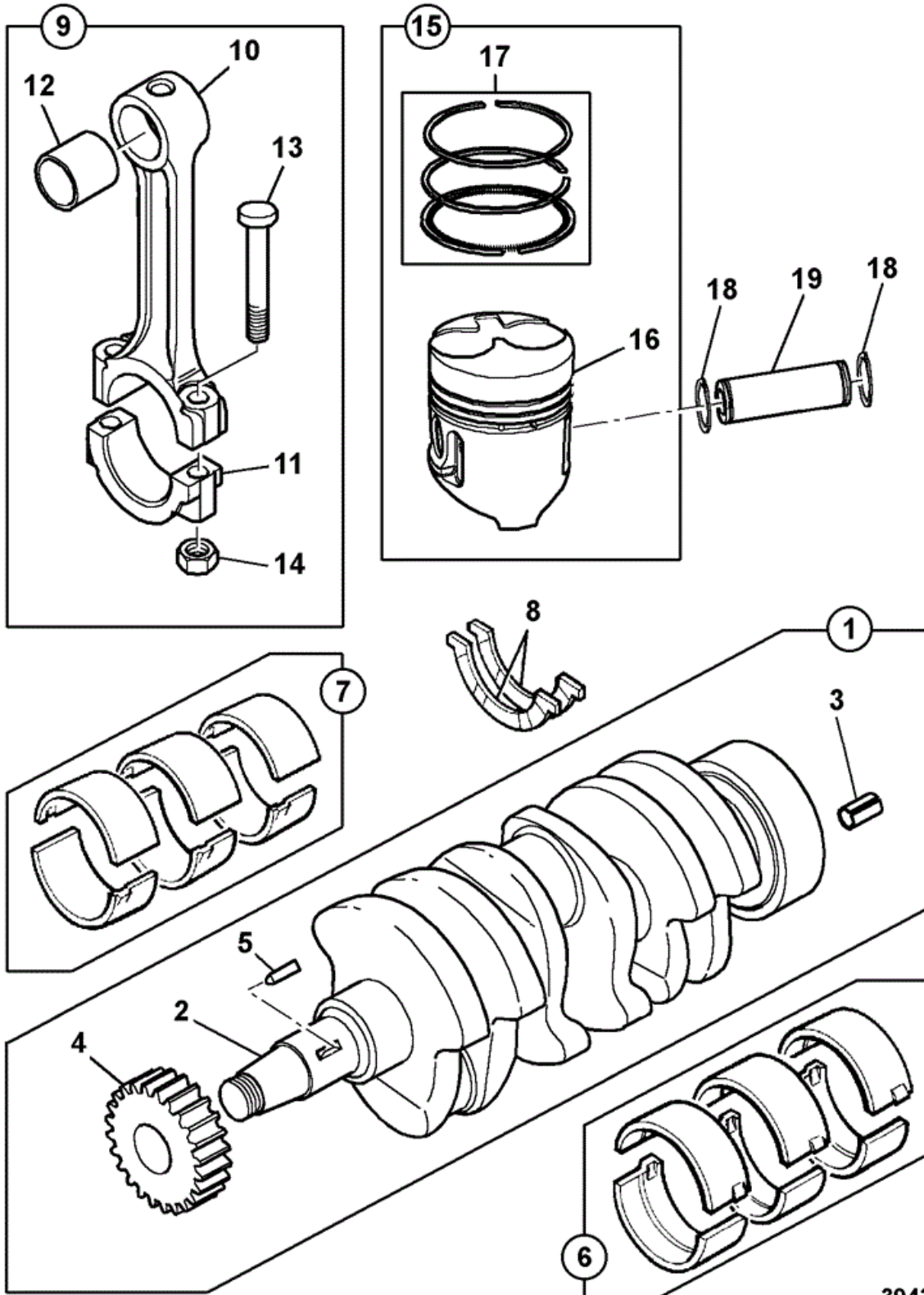
741430

Item	Part #	Change No	Description	Usage Code	QTY
1	****		None serviced part		1
2	02/630933		Plug D=18mm		1
3	02/634206		Plug core D=25mm		1

4	02/630934		Plug D=35mm	2
5	02/634207	Superseded	Plug core D=40mm	1
5	333/D1839		Plug core d=40mm	1
6	02/634207	Superseded	Plug core D=40mm	1
6	333/D1839		Plug core d=40mm	1
7	02/630007		Plug 8.4mm	3
8	02/630456		Plug D=40mm	4
9	02/630008	Superseded	Hub	1
9	332/F4118		Pump oil idler gear	2
10	02/630030		Circlip	1
11	02/634805		Bush .	1
11	02/634806		Bush -0.25mm	1
12	02/630013		Bearing	1
13	02/630014		Plug core D=45mm	1
14	02/630015		Bearing	1
15	02/630016		Dowel	2
16	02/630017		Dowel	2
17	02/630018		Dowel	2
18	02/630019		Pin	2
19	826/10775		Stud	2
20	826/10720		Stud	1
21	02/630022		Stud	1
22	02/630548		Cap bearing assembly	1
25	:02/630024		Dowel	2
26	:02/634807		Screw .	2
27	02/630549		Cap cap bearing	1
30	:02/630024		Dowel	1
31	:02/634807		Screw .	2
32	02/630564		Cap cap bearing	1
35	:02/630024		Dowel	2
36	:02/630567		Bolt	2
37	02/630532		Bolt caphead	1
38	02/630532		Bolt caphead	1
39	02/630029		Screw	2
40	02/630544		Seal oil	1
41	02/630366		Plate flywheel backplate	1
42	826/10776		Screw	8
43	02/634112		Screw	2
44	02/630007		Plug 8.4mm	1
45	02/630005		Plug D=5.4mm	1
46	02/630456		Plug D=40mm	1
47	02/630007		Plug 8.4mm	1
48	02/630222		Washer thrust	1



# 9822/0570 V130-1-1 CRANKSHAFT BEARINGS & CON-RODS

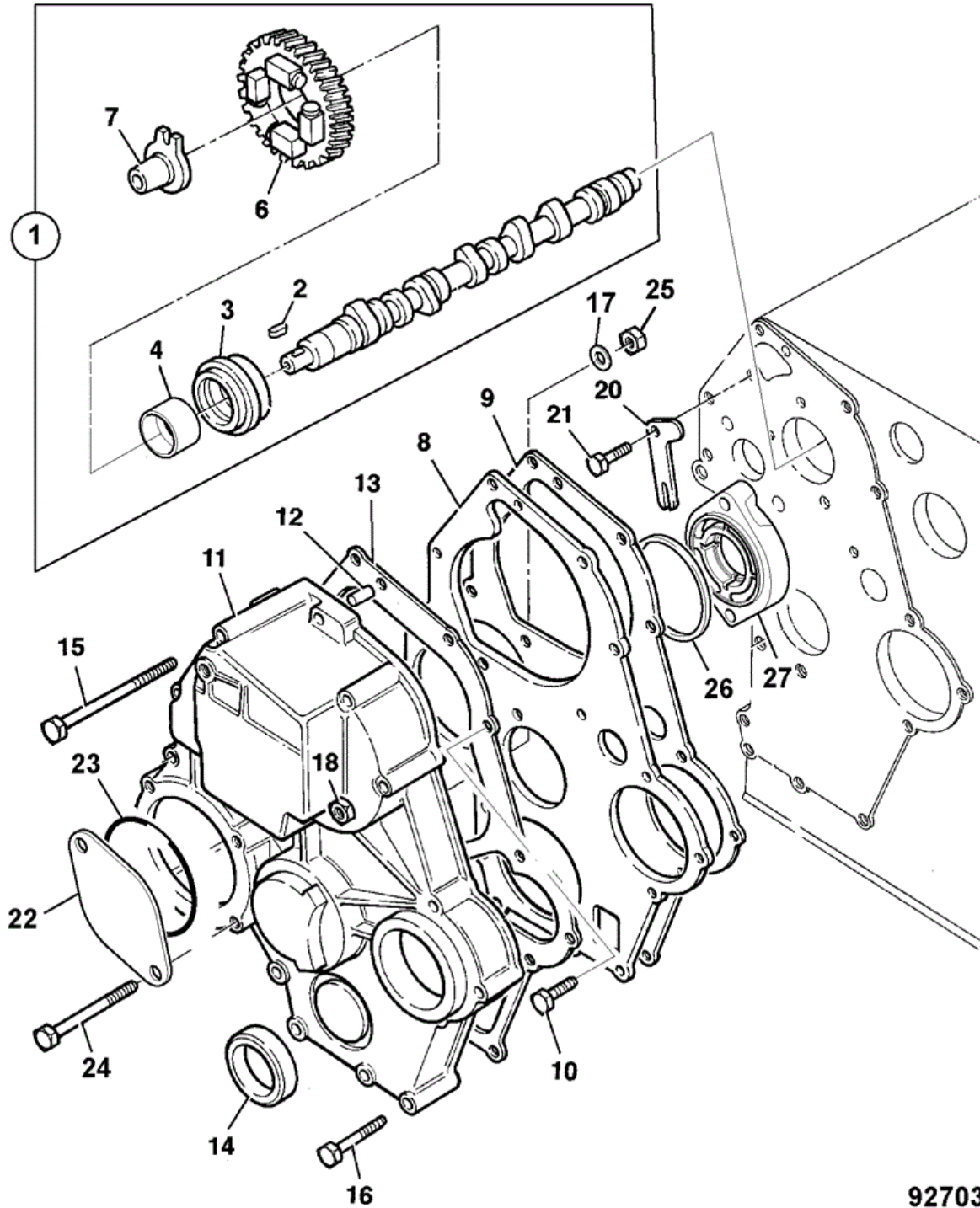


394390

Item	Part #	Change No	Description	Usage Code	QTY
1	02/634809		Crankshaft .		1
2	****		None serviced part		1
3	:02/630043		Pin		1
4	:02/634810		Gear Crankshaft		1
5	:02/630042		Key		1
6	02/630547		Kit-bearing main standard		1
6	02/634812		Kit Main Bearing -0.25mm		1
7	02/630571		Kit-bearing big end		1
7	02/634813		Kit Big End Bearing -0.25mm		1
8	N/A		Not applicable not available		1
9	02/630570		Conrod		3
10	****		None serviced part		1
11	****		None serviced part		1
12	:02/630052		Bush small-end		1
13	:02/630053		Bolt		2
14	:02/630054		Nut		2
15	02/630997	Superseded	Piston Piston assembly		3
15	333/H3730		Piston Piston		3
16	:02/630997	Superseded	Piston Piston assembly		1
16	:333/H3730		Piston Piston		1
17	:02/634814		Kit-piston ring		1
18	02/630059		Circlip		6
19	02/630058		Pin gudgeon		3



## 9822/0570 V160-1-1 TIMING CASE CAMSHAFT & GEAR

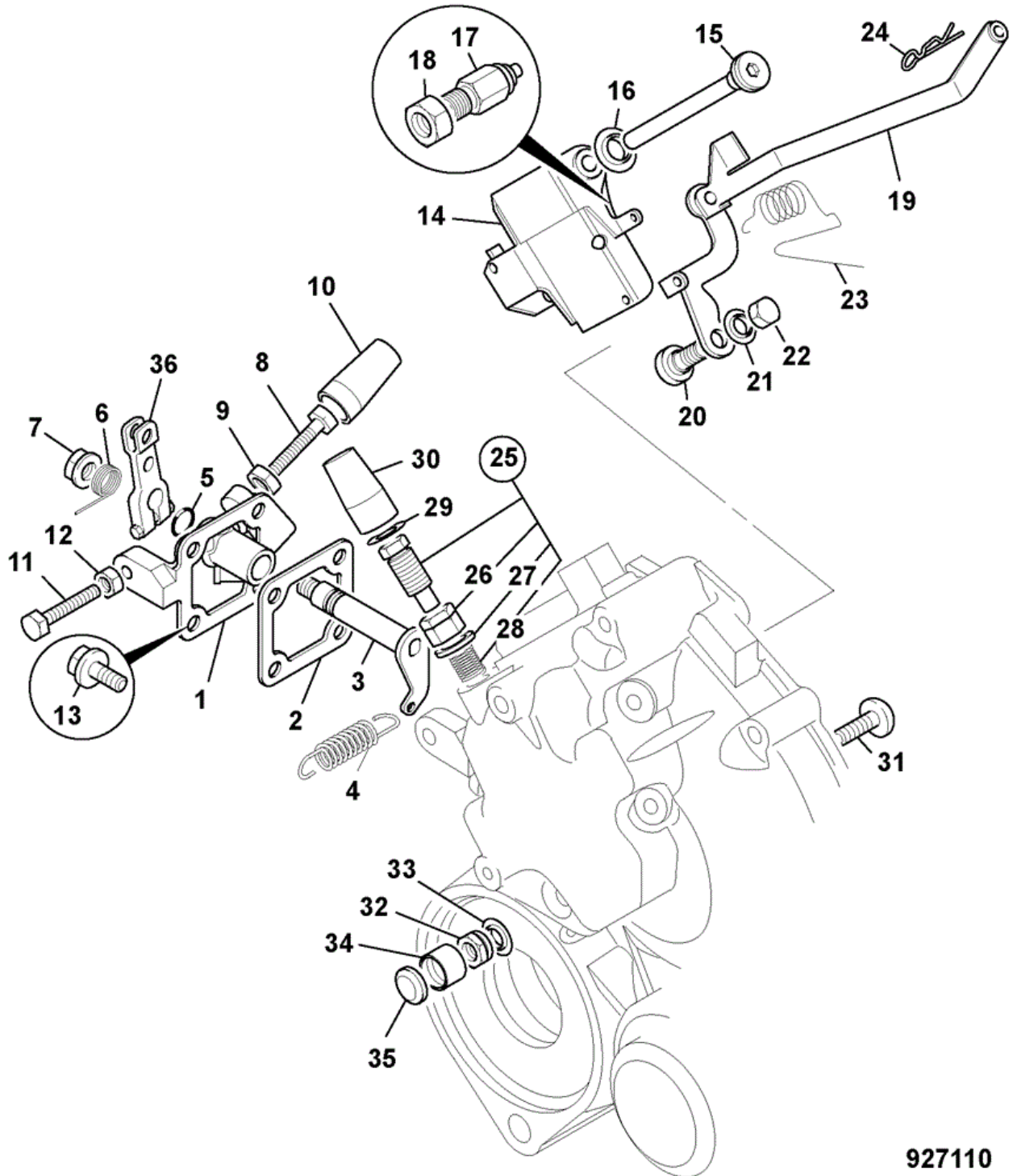


927030

Item	Part #	Change No	Description	Usage Code	QTY
1	02/634815		Camshaft Assembly		1
2	:02/630068		Key		1
3	:02/630081		Bearing		1

4	:02/634210		Spacer		1
6	:02/634816		Gear Camshaft		1
7	:02/634740		Tappet .		1
8	02/634817		Plate .		1
9	02/630545	Superseded	Gasket gasket		1
9	333/H2586		Gasket Gasket		1
10	02/630102		Screw		3
11	02/634818	Superseded	Cover Timing Case		1
11	333/E1404		Cover timing case		1
12	02/630089		Pin		1
13	02/634819		Gasket Timing Case		1
14	02/630092		Seal front oil		1
15	826/10729		Screw		5
16	826/10777		Screw		5
17	02/630134		Washer spring		2
18	02/630096	Superseded	Nut		1
18	332/G4963		Nut .		1
19	02/630102		Screw		1
20	02/630101		Plate		1
21	02/630103		Screw		1
22	02/634820		Plate .		2
23	02/634821		O Ring .		2
24	02/634822		Bolt .		2
25	02/634116		Nut		2
26	02/634821		O Ring .		1
27	02/634824		Bearing Holder Assembly		1
30	02/630079		O Ring		1

**JCB** 9822/0570 V160-5-1 TIMING CASE LEVERS ARMS &  
 SPRINGS



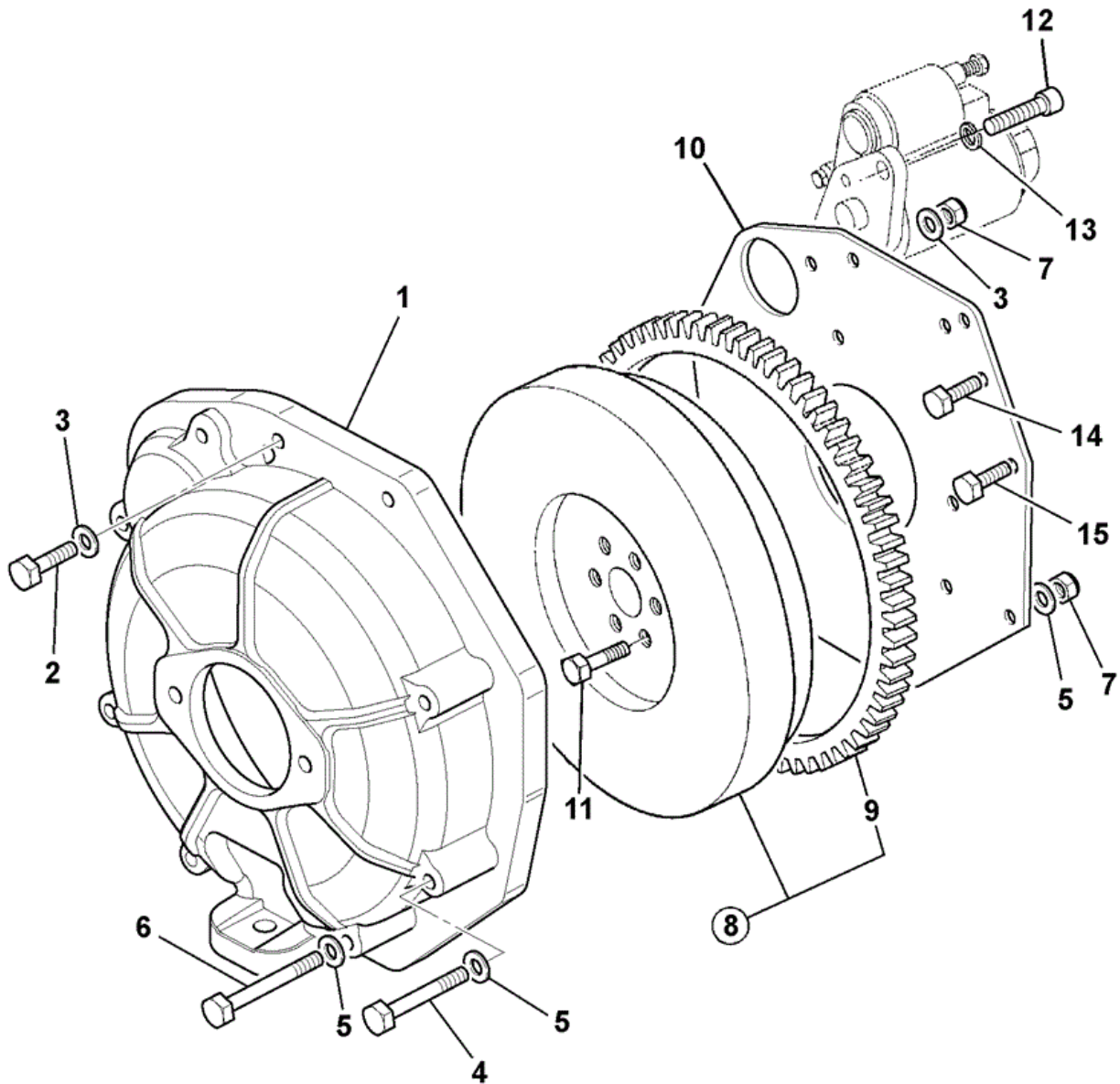
927110

Item	Part #	Change No	Description	Usage Code	QTY
1	02/634743	Superseded	Bracket .		1

1	332/G4931		Bracket .	1
2	02/634770		Gasket .	1
3	02/634739		Lever Arm	1
4	02/634773		Spring .	1
5	02/630493		O Ring	1
6	02/634771		Spring .	1
7	02/630078		Nut	1
8	826/10742		Screw	1
9	826/10743		Nut	1
10	02/634166		Cap anti-tamper	1
11	826/10742		Screw	1
12	1370/0101Z	Superseded	Nut (M6)	1
12	1370/0101D		Nut Plain M6	1
13	02/630071		Screw	4
14	02/634736	MSS	Bracket Lever Arm	1
14	333/D5033		Lever control	1
14	333/D5034		Shaft lever	1
14	02/630108		Washer	1
15	02/634738	MSS	Shaft .	1
15	333/D5033		Lever control	1
15	333/D5034		Shaft lever	1
16	02/634837		Seal O-Ring	1
17	02/634825		Sensor Speed	1
18	02/634717		Nut .	1
19	02/634826	Superseded	Lever .	1
19	332/G4988		Control Lever	1
20	02/634737		Pivot Pin Bolt	1
21	02/630266		Washer	1
22	02/634720		Nut .	1
23	02/634774		Spring .	1
24	02/630111		Pin	1
25	02/634827		Bolt Assembly	1
26	826/10738		Nut	1
27	02/630308		Washer	1
28	02/634775		Spring .	1
29	02/634776		Ring .	1
30	02/634828	Superseded	Cap Anti Tamper	1
30	02/634159		Cap anti-tamper	1
31	02/634749		Bolt .	1
32	02/634716	Superseded	Nut .	1
32	02/634842		Nut .	1
33	02/630266		Washer	1
34	02/634760	Superseded	Cap Anti Tamper	1
34	333/G3954		Cap Anti Tamper	1
35	02/634723	Superseded	Cap .	1
35	333/G3954		Cap Anti Tamper	1
36	02/634742		Lever .	1



**JCB** 9822/0570 V180-1-1 FLYWHEEL

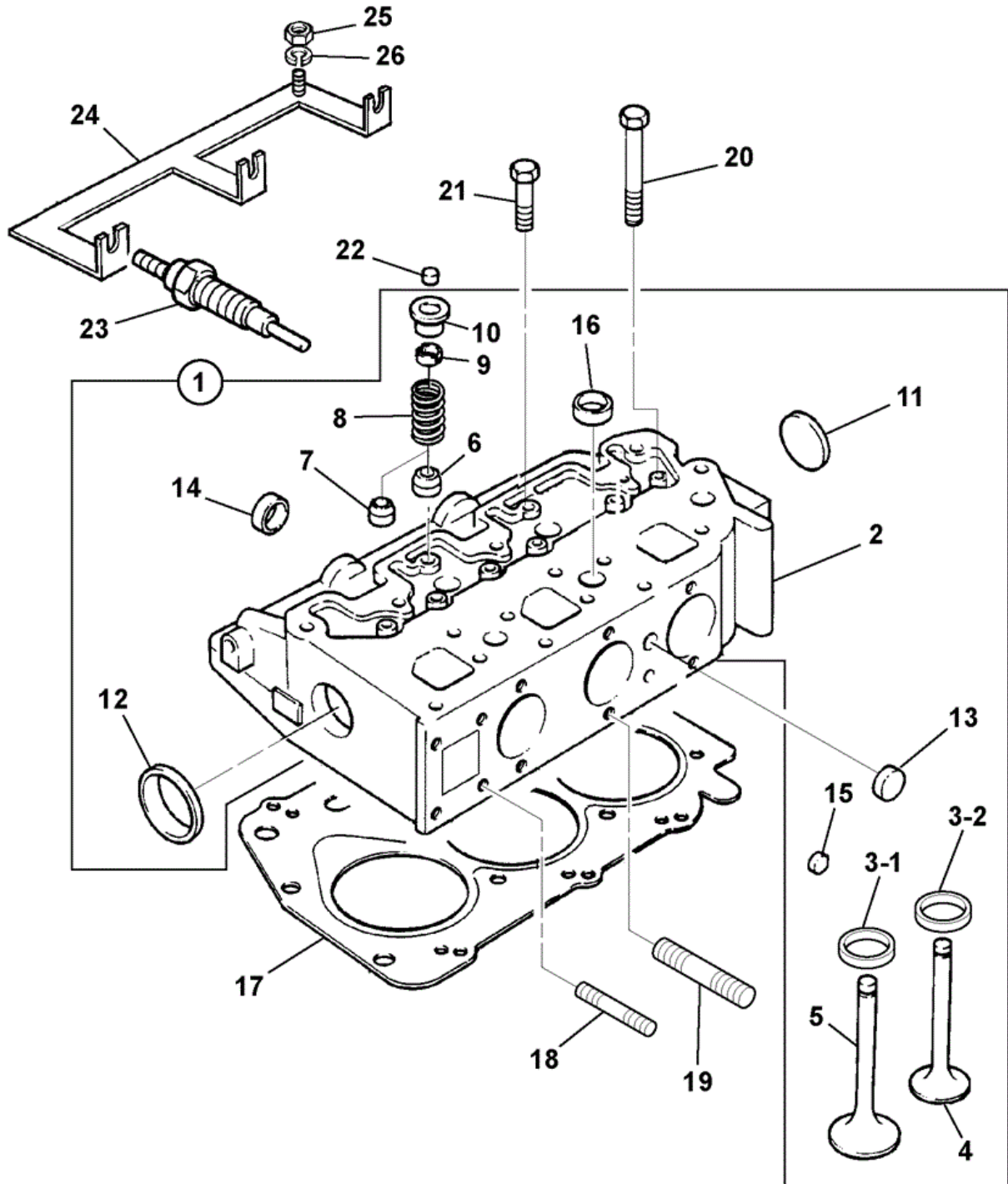


776021

Item	Part #	Change No	Description	Usage Code	QTY
1	****		'See Remark' <i>See L100-1-1</i>		1
2	****		'See Remark'		2

			<i>See L100-1-1</i>	
3	1420/0007D		Washer (M8)	1
4	****		'See Remark' <i>See L100-1-1</i>	3
5	1420/0007D		Washer (M8)	8
6	****		'See Remark' <i>See L100-1-1</i>	2
7	1370/0203D		Nut Lock M8	5
8	02/630395		Flywheel assembly	1
9	:02/630136		Ring starter	1
10	02/630366		Plate flywheel backplate	1
11	02/630137		Screw	6
12	1315/3410		Bolt	2
13	1420/0008D		Washer (M10)	2
14	826/10776		Screw	8
15	02/634112		Screw	2

**JCB** 9822/0570 V210-1-1 CYLINDER HEAD & GLOW PLUGS

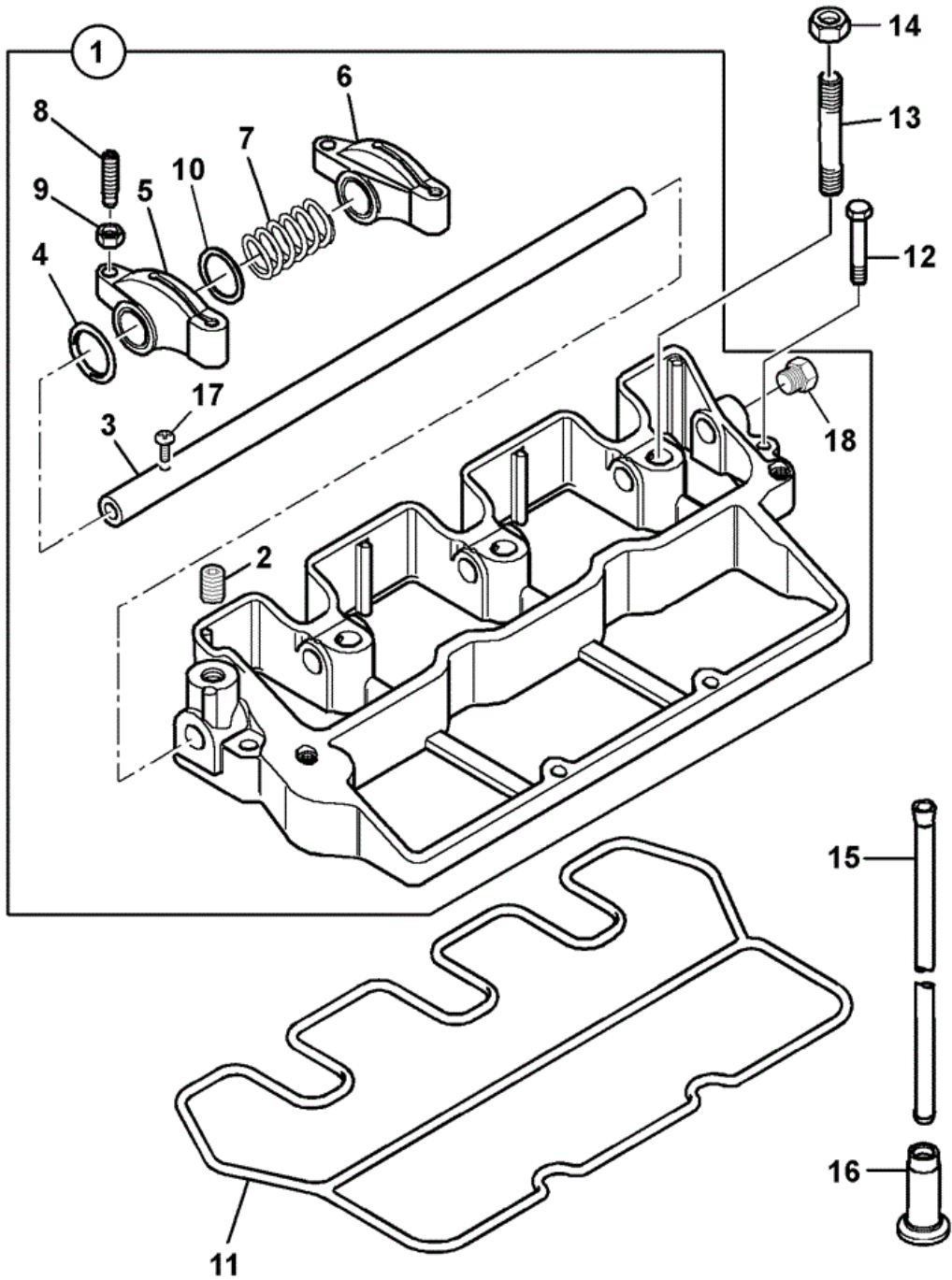


927830

Item	Part #	Change No	Description	Usage Code	QTY
1	02/634829	Superseded	Cylinder Head Assembly		1
1	333/H5385		Head		1
2	****		None serviced part		1

3	:02/631335	Superseded	Seat valve insert	A	3
3	:02/634954		Valve Seat		3
3	N/A		Not applicable not available	B	1
4	:02/630146		Valve <i>Exhaust</i>	B	3
5	:02/630573		Valve <i>Inlet</i>	A	3
6	:02/630147		Seal exhaust valve <i>Exhaust</i>	A	3
7	:02/630142		Seal inlet valve <i>Inlet</i>	B	3
8	:02/630143		Spring valve		6
9	:02/630145		Collet		12
10	:02/630144		Cap		1
11	:02/630149		Plug D=30mm		1
12	:02/630149		Plug D=30mm		1
13	:02/630933		Plug D=18mm		2
14	:02/630933		Plug D=18mm		2
15	N/A		Not applicable not available		1
16	:02/630933		Plug D=18mm		4
17	02/630574		Gasket cylinder head 1.2mm		1
17	02/630575		Gasket cylinder head 1.3mm		1
18	02/630185		Stud		2
19	02/630185		Stud		2
20	02/630152		Screw		11
21	02/630153		Screw		3
22	02/630144		Cap		6
23	02/634830		Thermostart .		3
23	02/630576		Nut		3
24	02/634831		Rail Connector		1
25	02/630758		Nut		1
26	02/630759		Washer		1
27	02/630761		Lead <i>Not Shown</i>		1

**JCB** 9822/0570 V240-1-1 ROCKER SHAFT PUSH RODS & TAPPETS



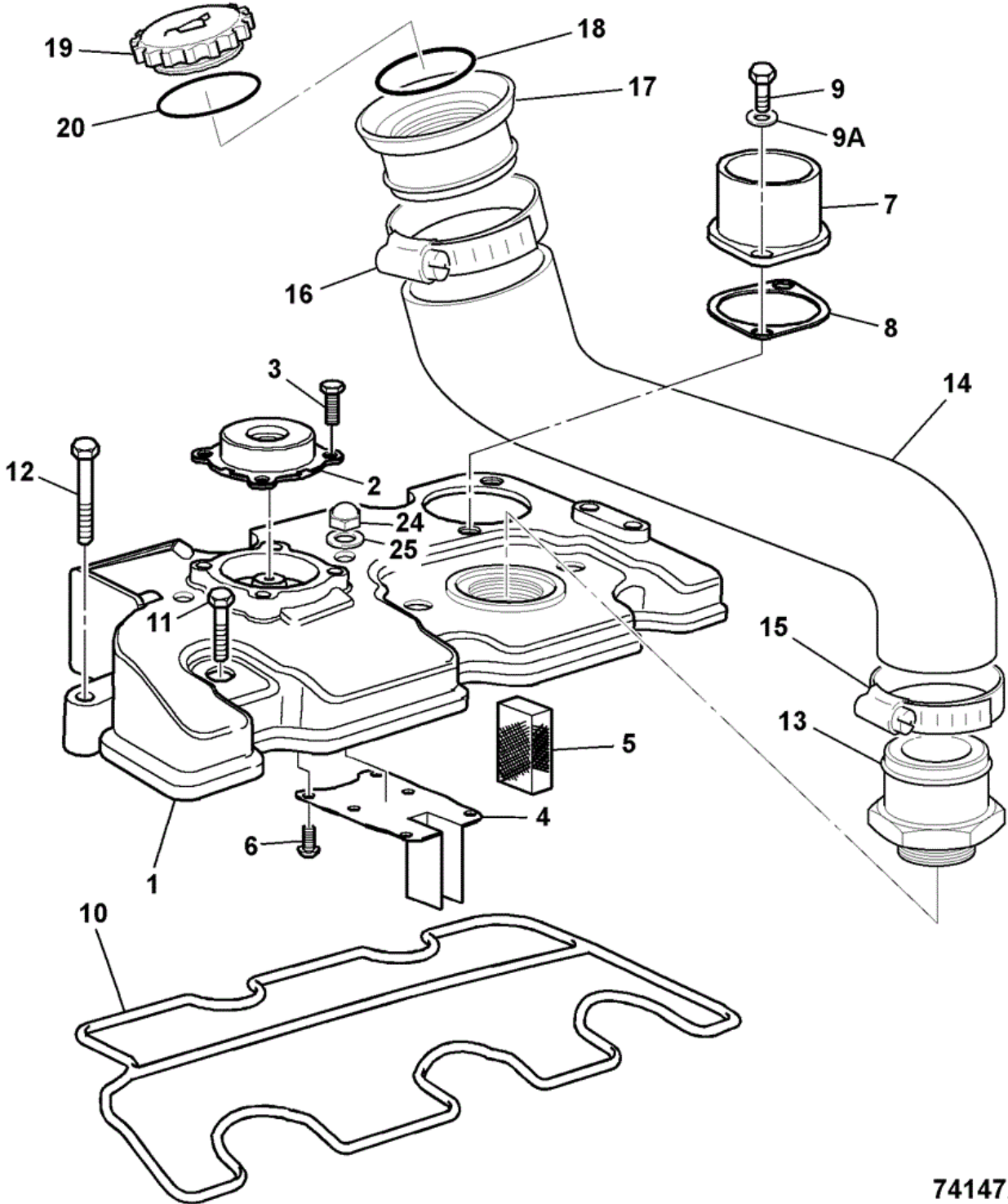
394281

Item	Part #	Change No	Description	Usage Code	QTY
1	02/630632		Shaft rocker assembly		1

2	:02/630392		Plug D=10mm	1
3	:02/630578		Shaft rocker	1
4	:02/630747		O Ring	1
5	:02/630751		Lever rocker, right hand	3
6	:02/630752		Lever rocker - left hand	3
7	:02/630166		Spring	2
8	:02/630167		Screw adjusting	6
9	:02/630168		Nut	6
10	:02/630756		Washer spacer	4
11	02/630581	Superseded	Gasket rocker cover	1
11	334/C0036		Joint Rocker Box	1
12	02/630832		Screw	2
13	02/630169		Stud	3
14	02/630078		Nut	3
15	02/632091		Rod push	6
16	02/630171		Tappet	6
17	02/630579		Screw	1
18	02/630746		Plug	1



## 9822/0570 V250-1-1 ROCKER COVER



741472

Item	Part #	Change No	Description	Usage Code	QTY
1	02/630590		Cover rocker		1
2	02/634138		Valve oil breather		1
3	826/10727		Bolt		4

Thank you so much for reading.  
Please click the “Buy Now!”  
button below to download the  
complete manual.



After you pay.

You can download the most  
perfect and complete manual in  
the world immediately.

Our support email:

[ebooklibonline@outlook.com](mailto:ebooklibonline@outlook.com)