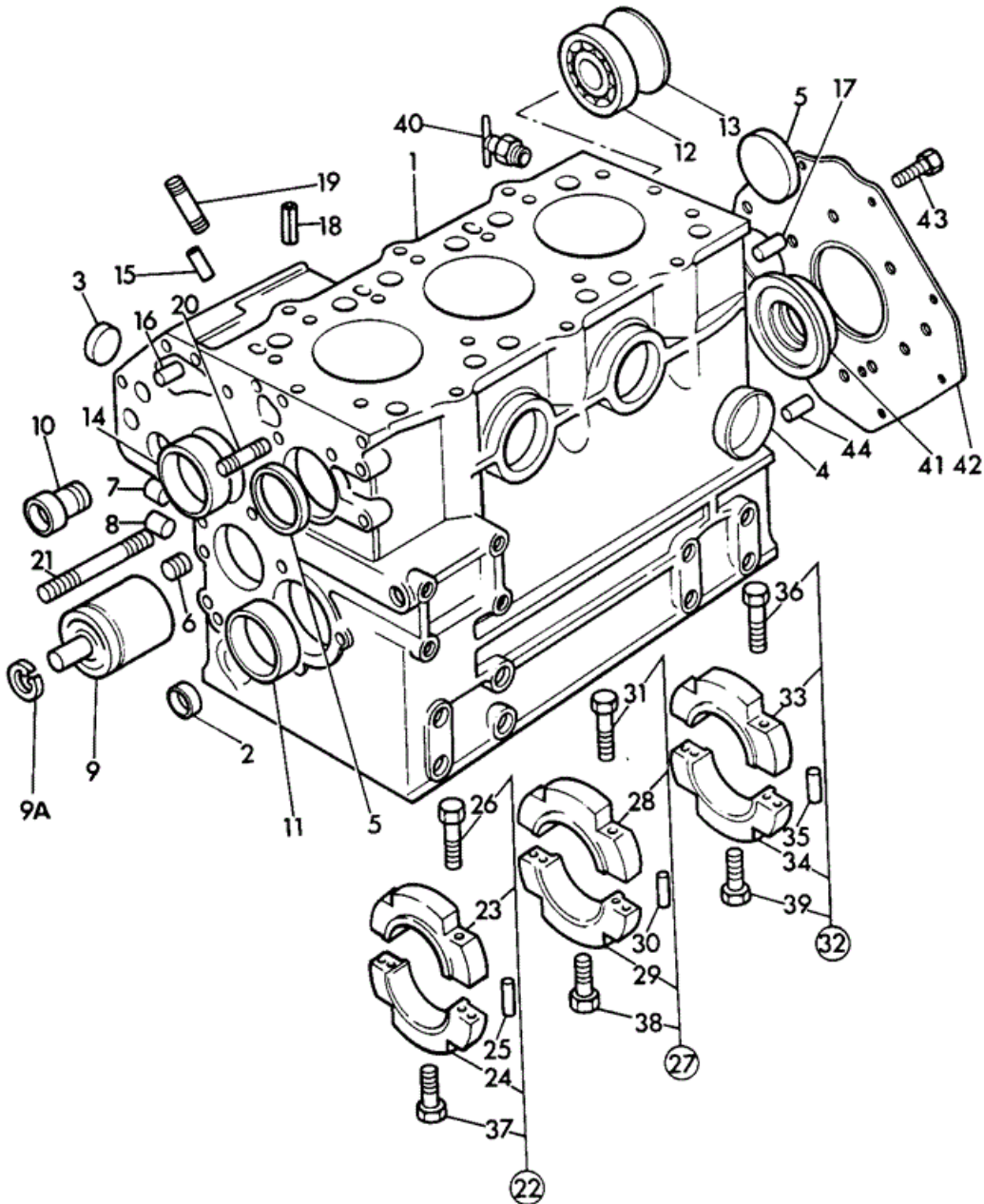




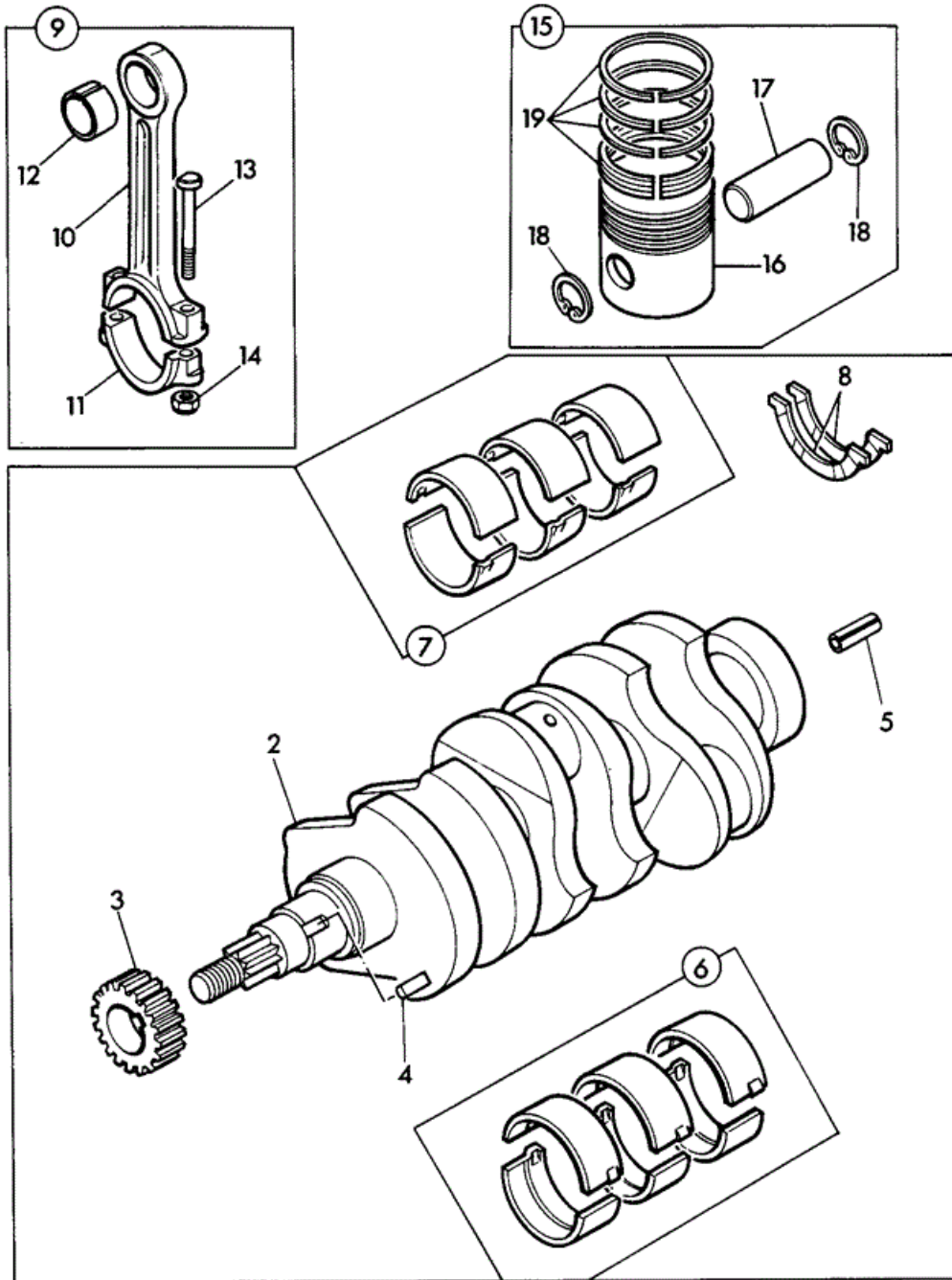
9802/5400 L1-3-10 BLOCK ASSEMBLY KD BUILD



118601

Item	Part #	Change No	Description	Usage Code	QTY
1	02/630701		Block cylinder		1
2	:02/630001		Plug D=15		1
3	:02/630002		Plug D=25		1
4	:02/630004		Plug D=40mm		2
5	:02/630004		Plug D=40mm		2
6	:02/630702		Plug 10.4mm		3
7	:02/630006		Plug 6.5mm		4
8	:02/630007		Plug 8.4mm		2
9	:02/630703		Hub		1
9A	****		'See Remark' <i>Not fitted or required</i>		1
10	:02/630009		Bush		1
11	:02/630704		Bush		1
11	02/630705		Bush oversize - 0.25mm		0
11	02/630706		Bush oversize - 0.50mm		0
12	:02/630013		Bearing		1
13	:02/630014		Plug core D=45mm		1
14	:02/630707		Bearing		1
15	:02/630024		Dowel		2
16	:02/630017		Dowel		2
17	:02/630018		Dowel		2
18	:02/630019		Pin		2
19	:02/630708		Stud		2
20	:02/630021		Stud		1
21	:02/630022		Stud		1
22	:02/630709		Cap bearing assembly		1
23	::N.S.P.		None serviced part <i>Cap - top</i>		1
24	::N.S.P.		None serviced part <i>Cap - bottom</i>		1
25	::02/630024		Dowel		2
26	::02/630710		Screw		2
27	:02/630026		Cap bearing assembly		1
28	::N.S.P.		None serviced part <i>Cap - top</i>		1
29	::N.S.P.		None serviced part <i>Cap - bottom</i>		1
30	::02/630024		Dowel		1
31	::02/630710		Screw		2
32	:02/630712		Cap bearing assembly		1
33	::N.S.P.		None serviced part <i>Cap - top</i>		1
34	::N.S.P.		None serviced part <i>Cap - bottom</i>		1
35	::02/630024		Dowel		2
36	::02/630710		Screw		2
37	:02/630713		Screw		1
38	:02/630713		Screw		1
39	:02/630714		Screw		2
40	02/630031		Tap drain		1
41	02/630772		Seal rear oil		1
42	02/630771		Plate		1

43	02/630345		Screw		10
44	02/630018		Dowel		2



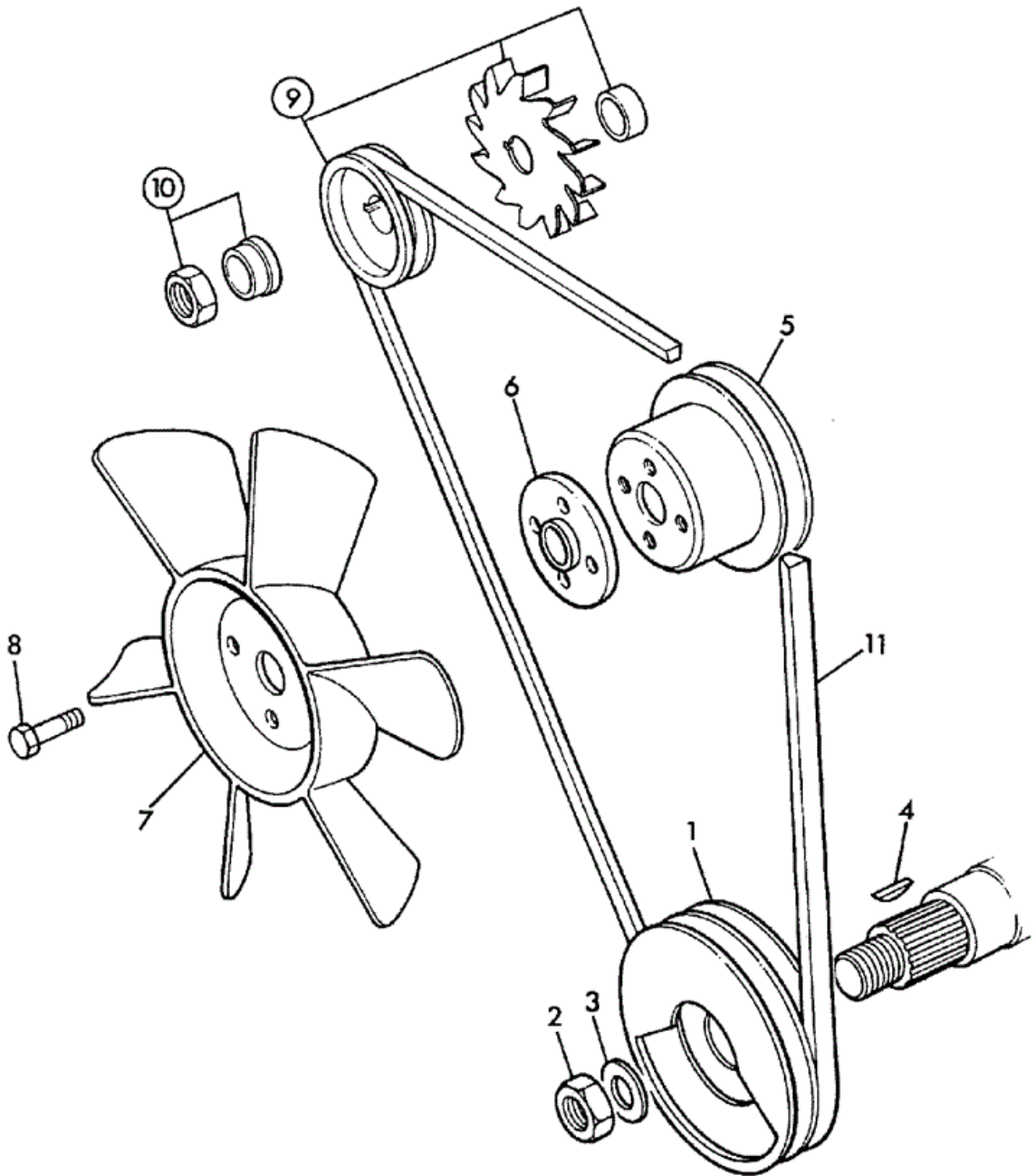
118611

Item	Part #	Change No	Description	Usage Code	QTY
1	02/630715		Crankshaft assembly		1
2	:N.S.P.		None serviced part <i>Crankshaft</i>		1
3	:02/630716		Gear		1
4	:02/630042		Key		1
5	:02/630043		Pin		1

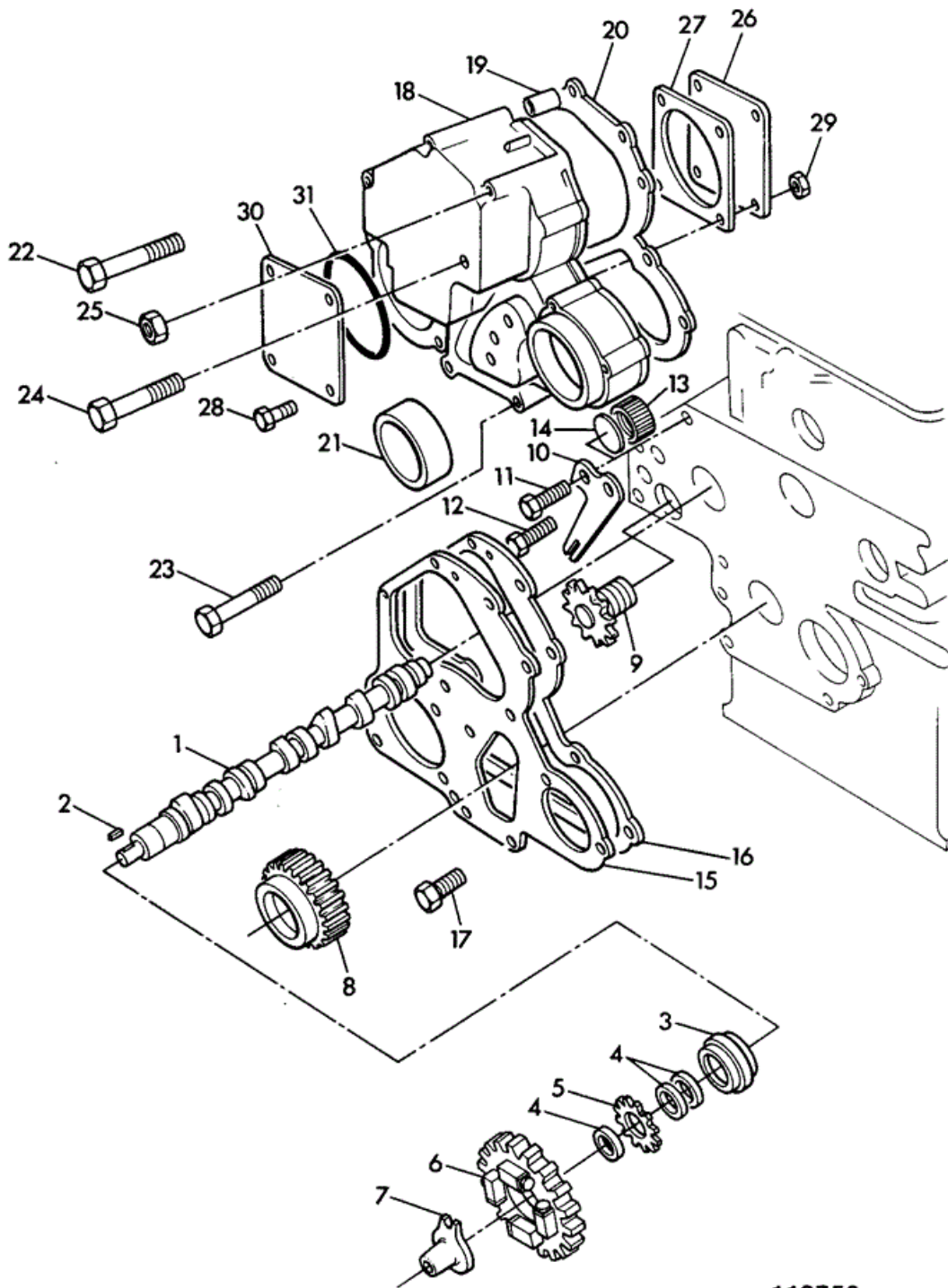
6	:02/630717		Kit-bearing main standard	1
6	02/630718		Kit-bearing main undersize - 0.25mm	0
6	02/630719		Kit-bearing main undersize - 0.50mm	0
7	:02/630720		Kit-bearing big end standard	1
7	02/630721		Kit-bearing big end undersize - 0.25mm	0
7	02/630722		Kit-bearing big end undersize - 0.50mm	0
8	:02/630723		Washer thrust	2
9	02/630724		Conrod assembly	3
10	:N.S.P.		None serviced part <i>Rod</i>	1
11	:N.S.P.		None serviced part <i>Cap</i>	1
12	:02/630725		Bush small end	1
13	:02/630726		Screw	2
14	:02/630727		Nut	2
15	02/630728		Piston assembly standard	3
15	02/630729		Piston assembly oversize - 0.5mm	0
15	02/630730		Piston assembly oversize - 1.0mm	0
16	:N.S.P.		None serviced part <i>Piston</i>	1
17	:02/630731		Pin gudgeon	1
18	:02/630732		Circlip	2
19	:02/630733	<EJ631435X	Kit-piston ring	1
19	02/631263		Kit-piston ring standard	1
19	02/630734	<EJ631435X	Kit-piston ring oversize - 0.50mm	0
19	02/631261		Kit-piston ring oversize - 0.5mm	0
19	02/630735	Superseded	Kit-piston ring oversize - 1.0mm	0
19	02/631262		Kit-piston ring oversize - 1.0mm	1



9802/5400 L1-5-10 FANS, PULLEYS & FAN BELT KE BUILD



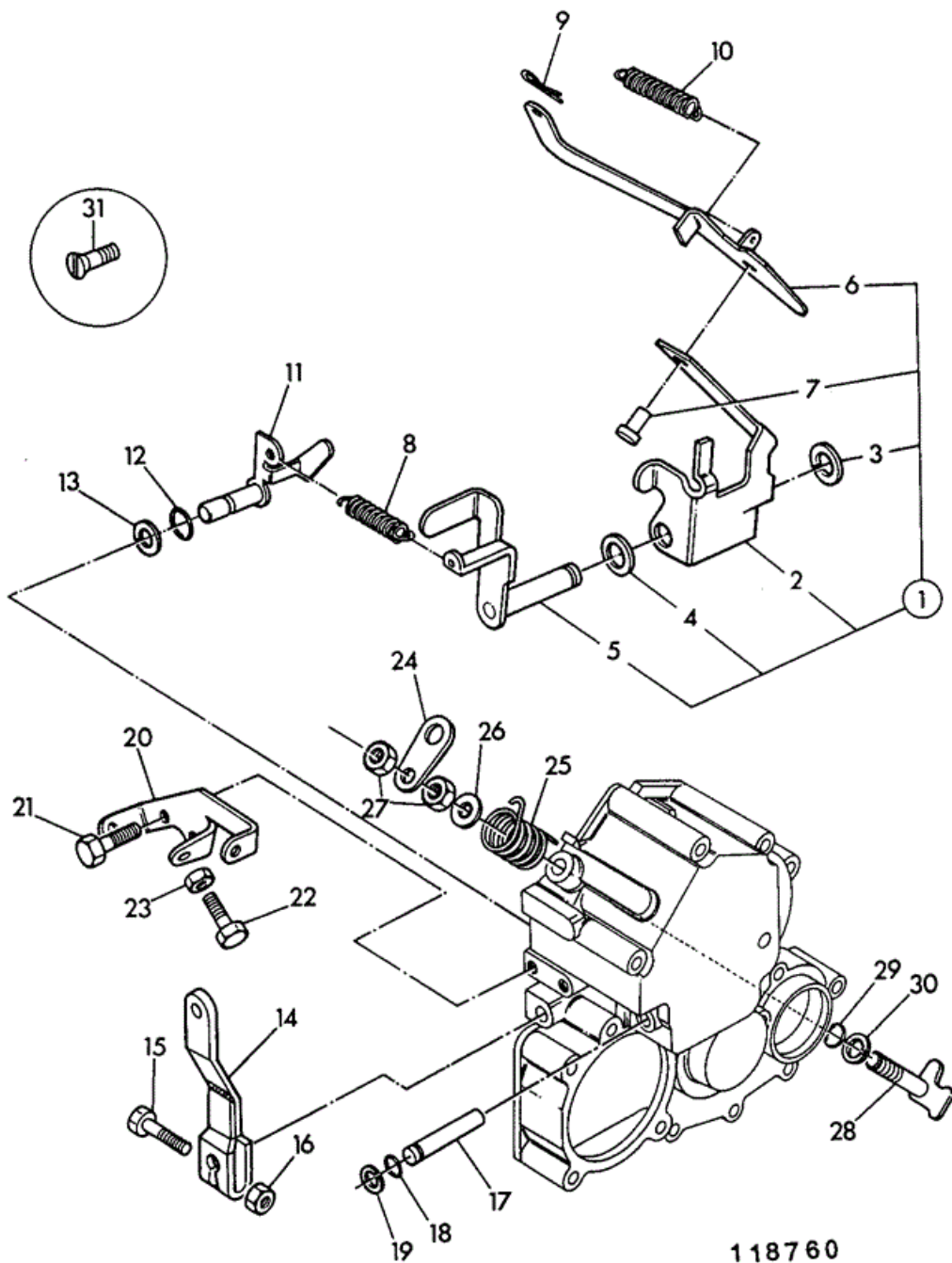
Item	Part #	Change No	Description	Usage Code	QTY
1	02/630777		Pulley crankshaft		1
2	02/630778		Nut		1
3	02/630779		Washer		1
4	02/630068		Key		1
5	02/630835		Pulley water pump		1
6	02/630831		Spacer fan		1
7	02/630830		Fan		1
8	02/630832		Screw		4
9	02/631102		Kit fan & pulley		1
10	02/631101		Kit sundry parts		1
11	02/630852		Belt fan		1



118750

Item	Part #	Change No	Description	Usage Code	QTY
1	02/630770		Camshaft		1
2	:02/630068		Key		1
3	:02/630769		Bearing		1
4	:02/630082		Spacer		3
5	:02/630083		Gear		1

6	:02/630768		Gear	1
7	:02/630085		Tappet	1
8	****		'See Remark' <i>See frame L5-2-1</i>	1
9	02/630100		Shaft	1
10	02/630101		Plate	1
11	02/630102		Screw	1
12	02/630103		Screw	1
13	02/630104		Cap	1
14	02/630105		Seal	1
15	02/630767		Plate	1
16	02/630766		Gasket	1
17	02/630172		Bolt	2
18	02/630765		Casing timing	1
19	:02/630089		Pin	1
20	02/630764		Gasket	1
21	02/630763		Seal front oil	1
22	02/630762		Screw	6
23	02/630093		Screw	2
24	02/630095		Screw	5
25	02/630096		Nut	1
26	02/630097		Plate	2
27	02/630098		Gasket	1
28	02/630099		Screw	4
29	02/630078		Nut	4
30	02/630097		Plate	1
31	02/630079		O Ring	1



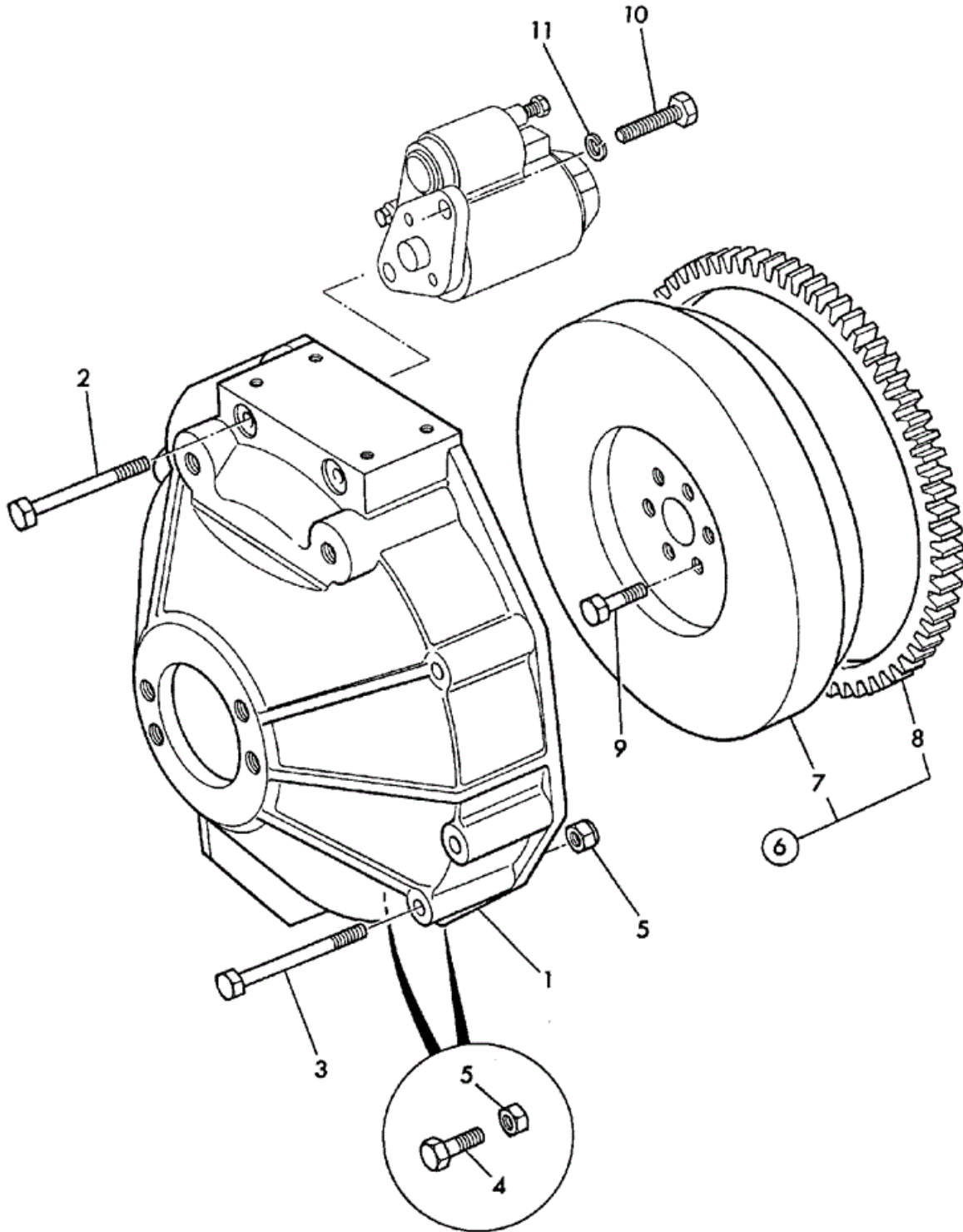
118760

Item	Part #	Change No	Description	Usage Code	QTY
1	02/630780		Lever assembly		1
2	:N.S.P.		None serviced part <i>Lever</i>		1
3	:02/630107		Circlip		1
4	:02/630108		Washer		1
5	:02/630781		Lever		1

6	:N.S.P.		None serviced part <i>Link</i>	1
7	:N.S.P.		None serviced part <i>Pin</i>	1
8	02/630782		Spring	1
9	02/630111		Pin	1
10	02/630112		Spring	1
11	02/630113		Arm	1
12	02/630114		O Ring	1
13	02/630107		Circlip	1
14	02/630783		Lever	1
15	02/630784		Screw	1
16	02/630096		Nut	1
17	02/630785		Shaft	1
18	02/630119		O Ring	1
19	02/630120		Circlip	1
20	02/630121		Stay	1
21	02/630122		Screw	2
22	02/630123		Screw	1
23	02/630096		Nut	2
24	02/630124		Lever	1
25	02/630125		Spring	1
26	02/630126		Washer	1
27	02/630127		Nut	2
28	02/630128		Arm	1
29	02/630129		O Ring	1
30	02/630130		Circlip	1
31	02/630131		Screw <i>Governor lever setting</i>	1



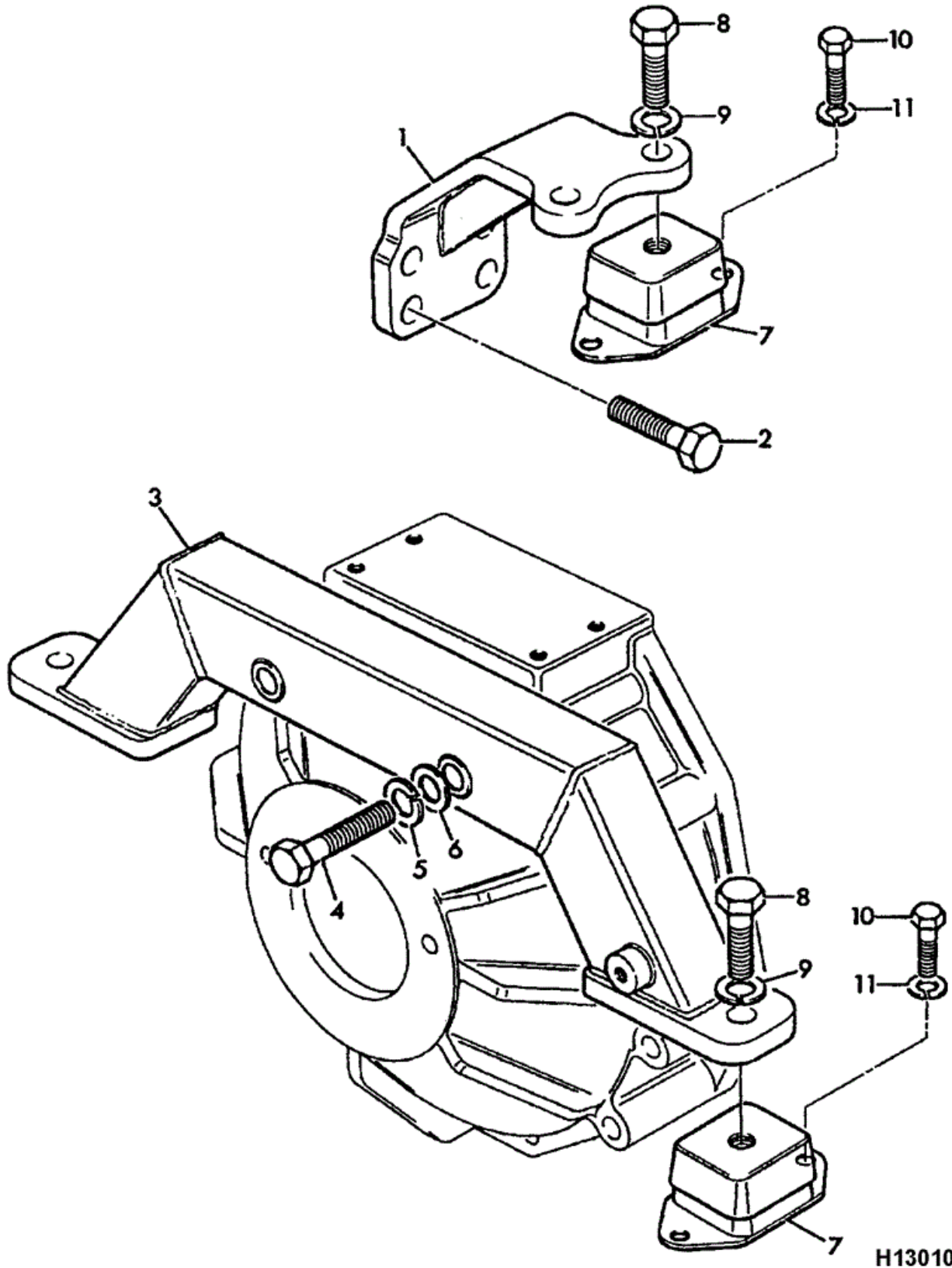
9802/5400 L1-7-10 FLYWHEEL & HOUSING KE BUILD



Item	Part #	Change No	Description	Usage Code	QTY
1	232/40001		Housing Flywheel		1
2	1315/3419Z		Bolt M10x90mm		2
3	1315/3421Z		Bolt M10 x 110		5
4	1315/0409Z		Setscrew M10 x 35		2
5	1370/0303Z		Nut lock M10		7
6	02/630773		Flywheel assembly		1
7	****		None serviced part <i>Flywheel</i>		1
8	:02/630774		Gear starter ring		6
9	02/630775		Bolt		6
10	02/630776		Screw		2
11	02/630134		Washer spring		2



9802/5400 L1-8-10 ENGINE MOUNTINGS KE BUILD



Item	Part #	Change No	Description	Usage Code	QTY
1	232/40700		Bracket mounting		2
2	823/01288Z		Bolt		8
2A	823/00499		Washer spring		8
3	232/40600		Arm mounting		1
4	1315/3515Z		Bolt (M12 x 65)		2
5	823/00417Z		Washer Spring (M12)		2
6	1420/0009Z		Washer (M12)		2
7	232/40002		Mounting metalastik		4
8	1315/0509Z		Setscrew M12 x 35mm		4
9	823/00417Z		Washer Spring (M12)		4
10	1315/0408Z		Setscrew M10 x 30		8
11	823/00416Z		Washer spring		8

Thank you so much for reading.
Please click the “Buy Now!”
button below to download the
complete manual.



After you pay.

You can download the most
perfect and complete manual in
the world immediately.

Our support email:

ebooklibonline@outlook.com