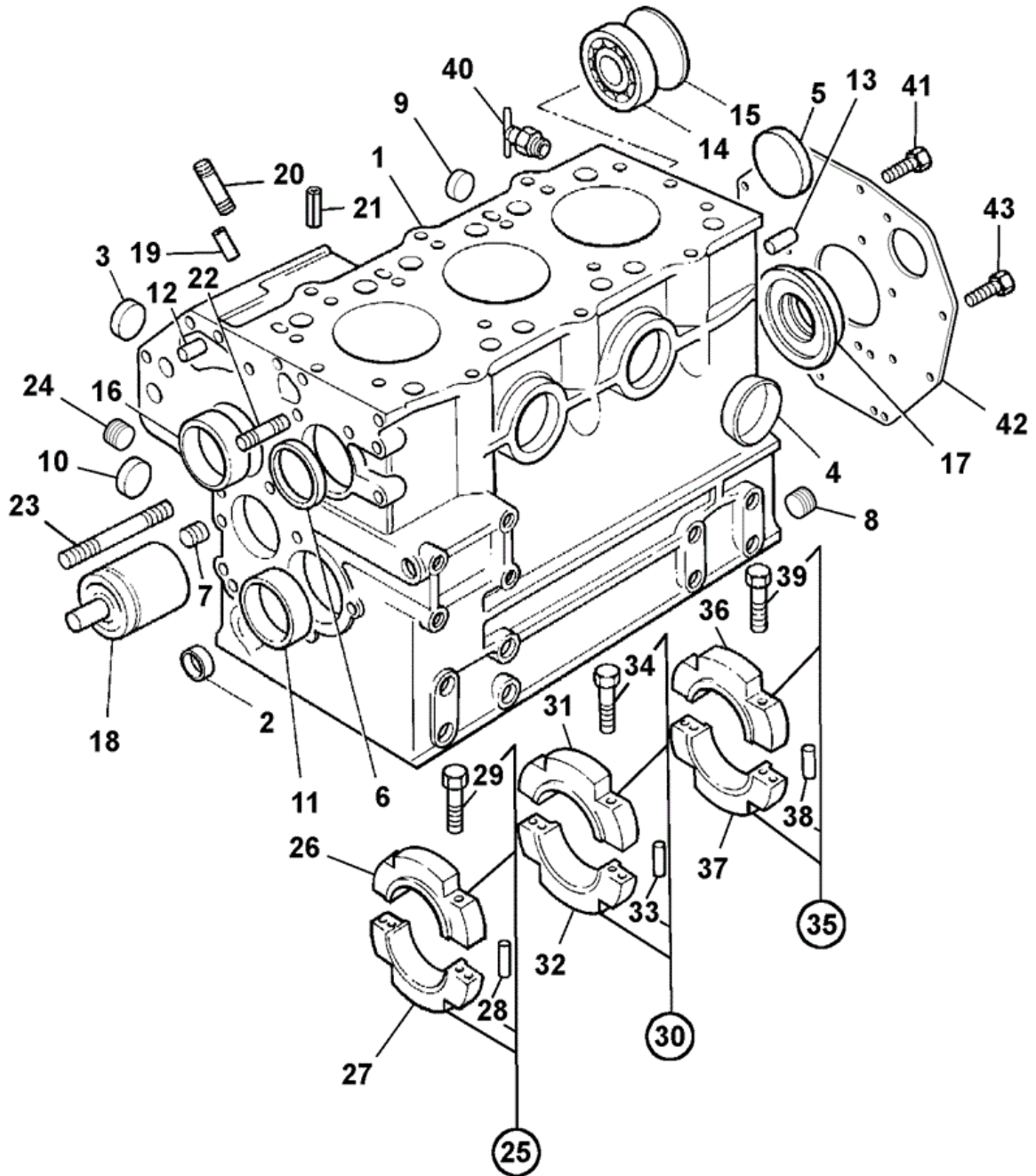




9802/5470 M1-3-1 BLOCK ASSEMBLY HL BUILD

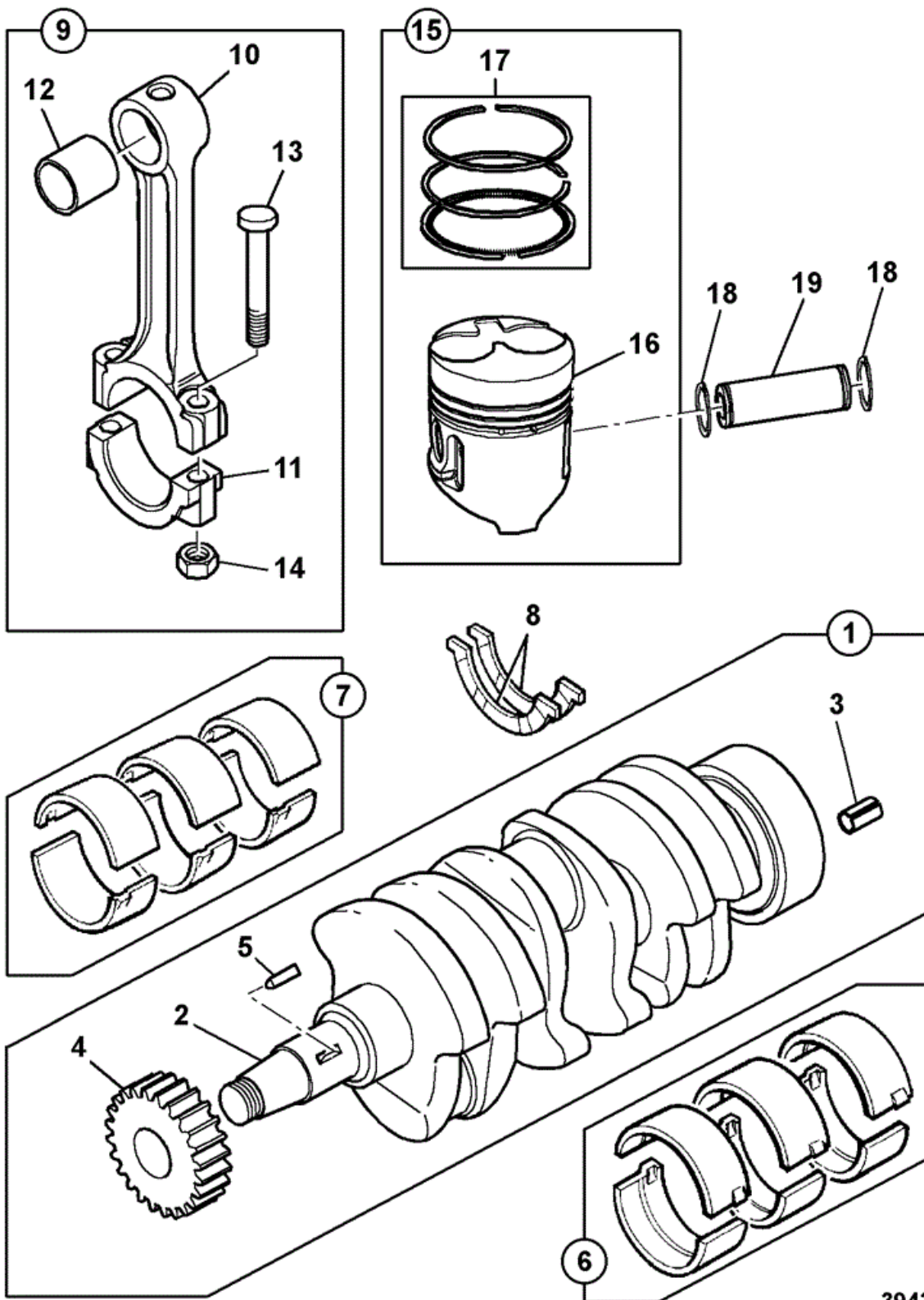


736100

Item	Part #	Change No	Description	Usage Code	QTY
1	02/630483		Engine Engine long HL Build - 20.7Kw <i>See Long Engine</i>		1
			Engine hybrid		

1	332/F1907		<i>For engine parts catalogue enter part number in the search box. See Note 1</i>	1
2	:02/630001		Plug D=15	1
3	:02/630002		Plug D=25	1
4	:02/630004		Plug D=40mm	2
5	:02/630004		Plug D=40mm	1
6	:02/630004		Plug D=40mm	3
7	02/630702		Plug 10.4mm	3
8	02/630392		Plug D=10mm	1
9	02/630007		Plug 8.4mm	1
10	02/630456		Plug D=40mm	3
11	02/634203		Bush	1
12	02/630017		Dowel	2
13	02/630018		Dowel	2
14	02/630013		Bearing	1
15	02/630014		Plug core D=45mm	1
16	02/630707		Bearing	1
17	02/630772		Seal rear oil	1
18	02/634204		Shaft	1
18	332/G0394		Shaft kit oil pump idler <i>Contains idler gear plus oil pump idler assembly kit including the shaft.</i>	1
19	02/630024		Dowel	2
20	826/10719		Stud	2
21	02/630019		Pin	2
22	826/10720		Stud	1
23	02/630022		Stud	1
24	32/925321		Plug D=60mm	1
25	02/630709		Cap bearing assembly	2
26	****		None serviced part	1
27	****		None serviced part	1
28	:02/630024		Dowel	2
29	:02/634005		Screw	2
30	02/630711		Cap bearing assembly	1
31	****		None serviced part	1
32	****		None serviced part	1
33	:02/630024		Dowel	2
34	:02/634005		Screw	2
35	02/630712		Cap bearing assembly	1
36	****		None serviced part	1
37	****		None serviced part	1
38	:02/630024		Dowel	2
39	:02/634005		Screw	2
40	02/630031		Tap drain	1
41	02/630396		Plate engine back	1
42	02/634112		Screw	10

Note 1: This engine does NOT come with a Flywheel, Starter Motor, Alternator, Exhaust Manifold and Mechanical Lift Pump. See TI number for machine modifications and parts.



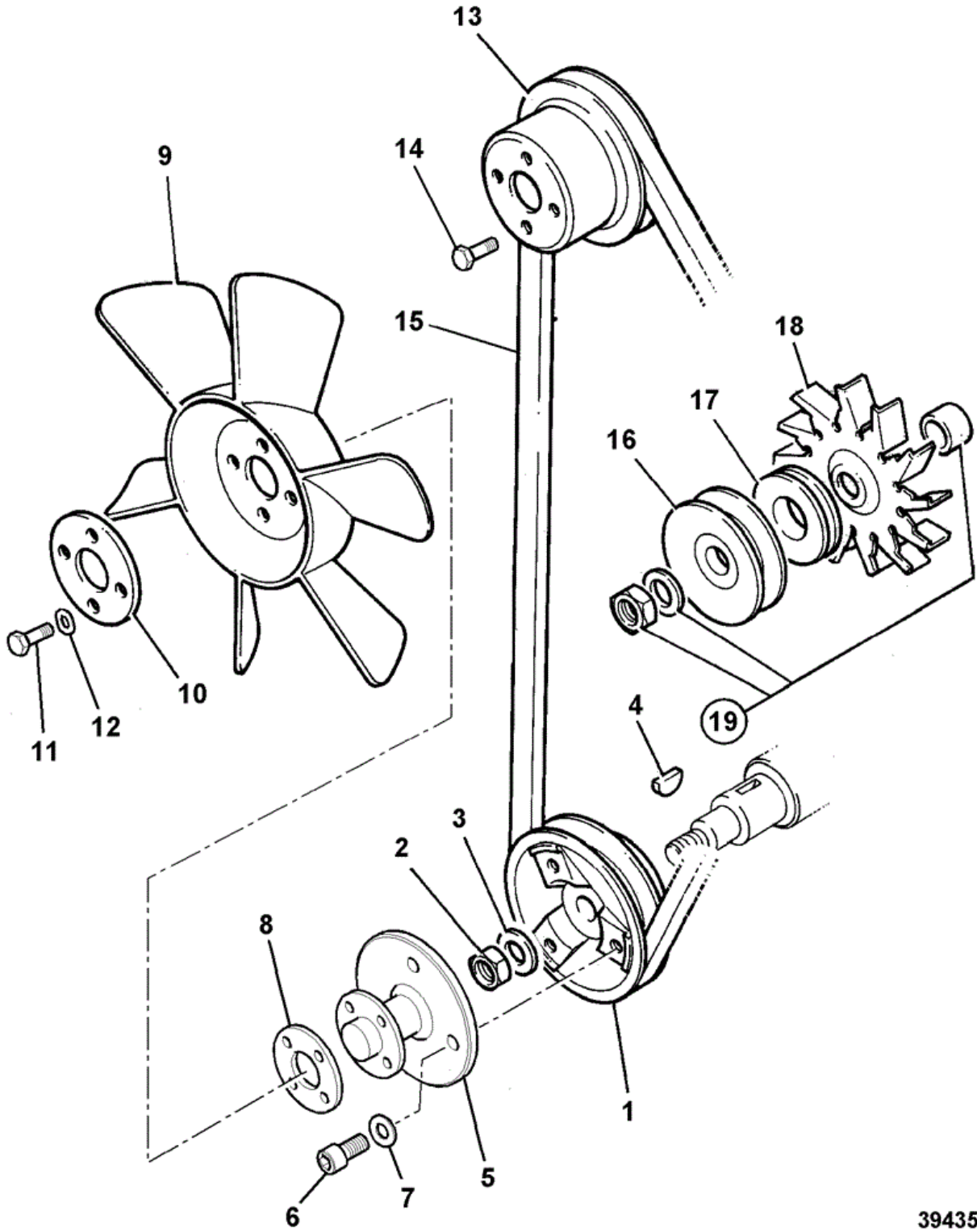
394390

Item	Part #	Change No	Description	Usage Code	QTY
1	02/630364		Crankshaft assembly		1
2	****		None serviced part		1
3	:02/630043		Pin		1
4	:02/630716		Gear		1
5	:02/630042		Key		1

6	02/630717		Kit-bearing main standard		1
6	02/630718		Kit-bearing main undersize - 0.25mm		0
6	02/630719		Kit-bearing main undersize - 0.50mm		0
7	02/630720		Kit-bearing big end standard		1
7	02/630721		Kit-bearing big end undersize - 0.25mm		0
7	02/630722		Kit-bearing big end undersize - 0.50mm		0
8	02/630723		Washer thrust		2
9	02/630724		Conrod assembly		3
10	****		None serviced part		1
11	****		None serviced part		1
12	:02/630725		Bush small end		1
13	:02/630726		Screw		2
14	:02/630727		Nut		2
15	02/630861		Piston assembly		3
16	****		None serviced part		1
17	:02/634136		Kit-piston ring		1
18	02/630731		Pin gudgeon		3
19	02/630732		Circlip		6



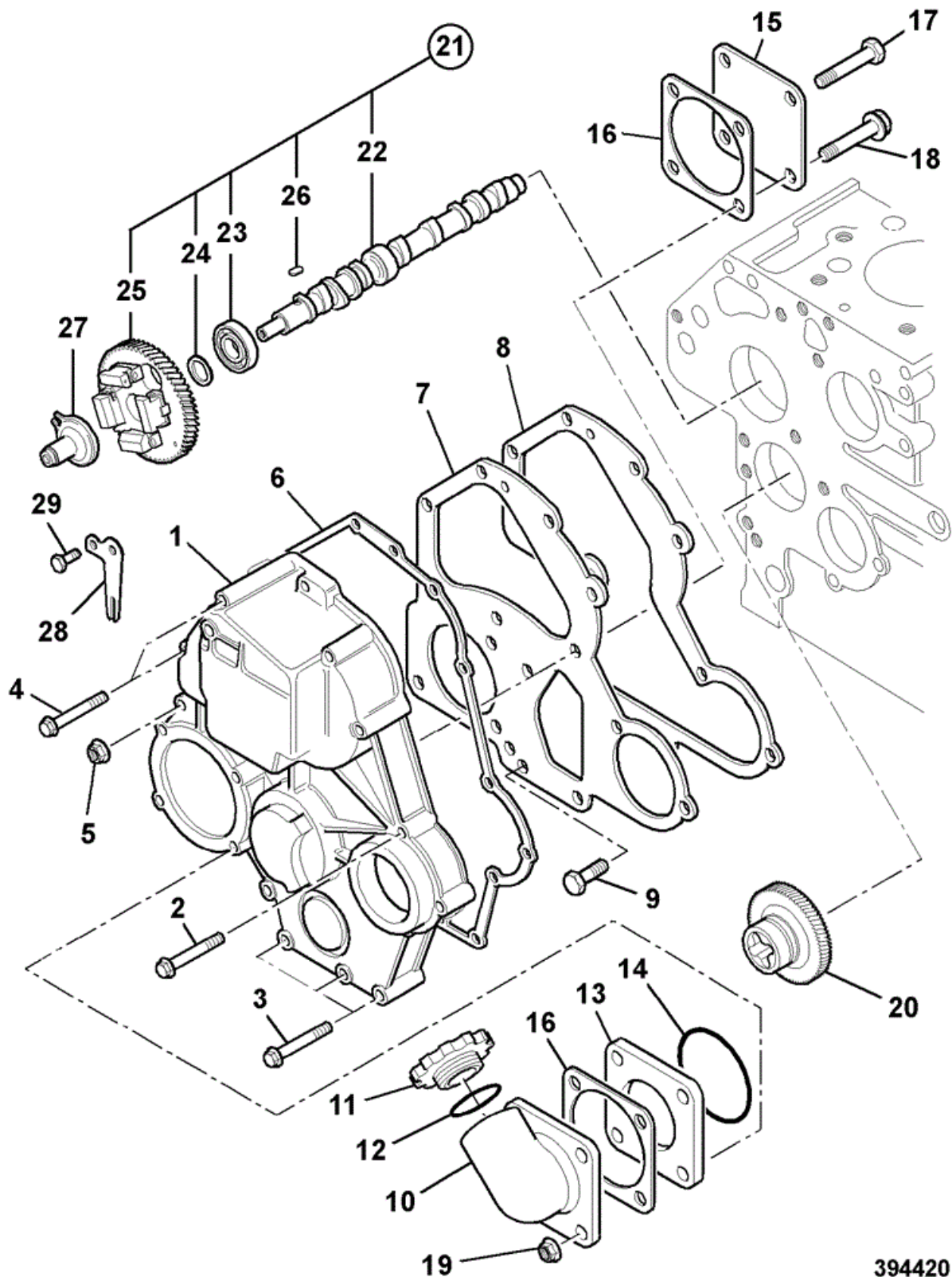
9802/5470 M1-5-1 FANS, PULLEYS & FAN BELT HL BUILD



394350

Item	Part #	Change No	Description	Usage Code	QTY
1	02/630446		Pulley crankshaft		1

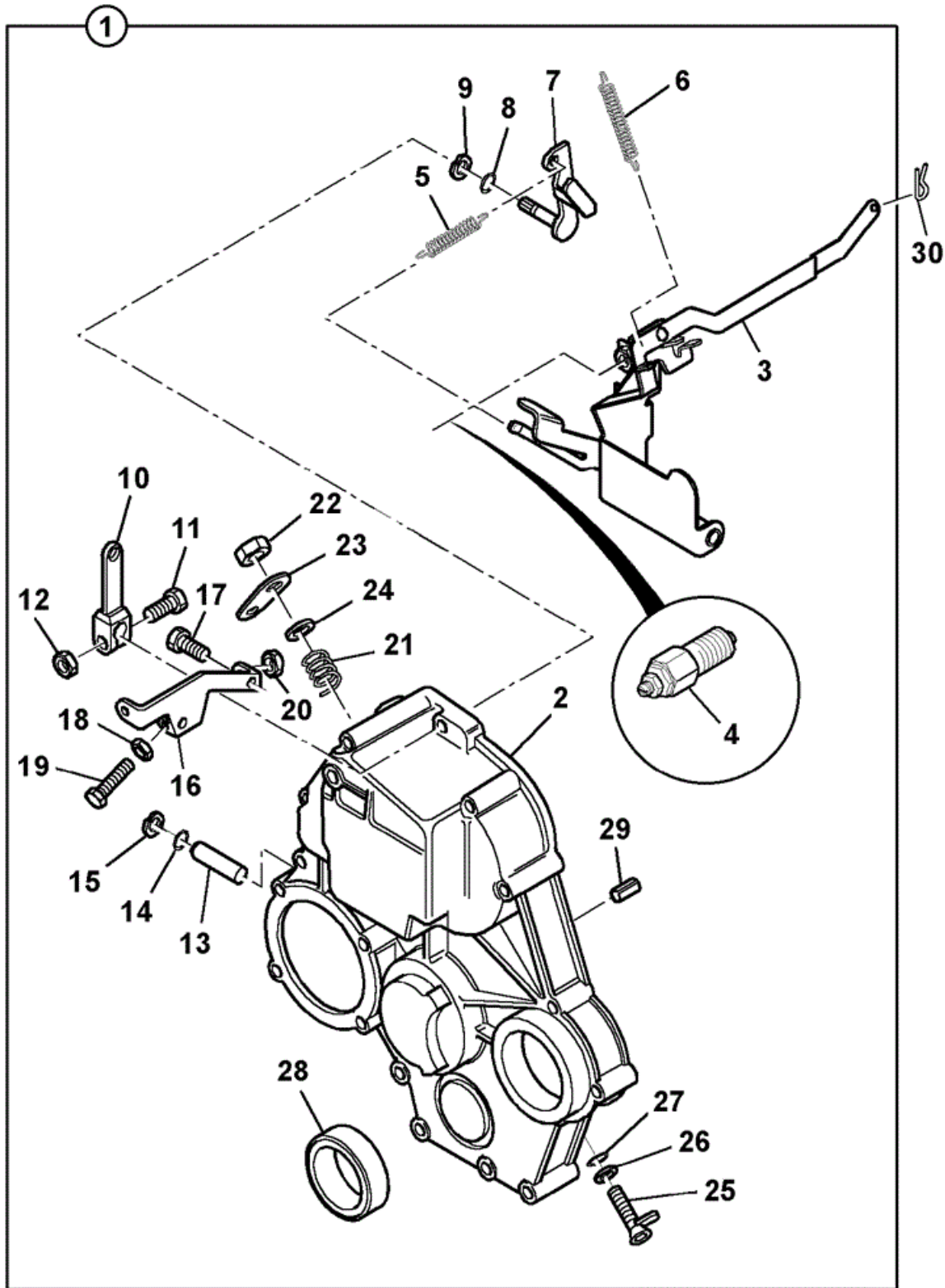
2	02/630778		Nut		1
3	02/630779		Washer		1
4	02/630068		Key		1
5	331/12311		Spacer fan		1
6	1391/3507Z		Capscrew		3
7	823/00309		Washer hardened (13mm x 23mm x 2.7mm)		3
8	823/10373		Spacer fan		1
9	02/630830		Fan		1
10	02/630831		Spacer fan		1
11	02/630832		Screw		4
12	1422/0006		Washer Hardened (M6)		4
13	02/630835		Pulley water pump		1
14	02/630122		Screw		1
15	02/630447		Belt fan L=963mm		1
16	02/102012	<EU553217M	Pulley single D=83mm		1
17	02/634124	<EU553217M	Spacer 5.5mm		1
18	02/200452	<EU553217M	Fan alternator		1
19	714/20405		Kit-sundry parts		1



394420

Item	Part #	Change No	Description	Usage Code	QTY
1	02/630460		Casing timing		1
2	826/10729		Screw		3
3	826/10740		Bolt		2
4	826/10730		Screw		7
5	02/630096		Nut		1

6	02/630459		Gasket case cover	1
7	02/630767		Plate	1
8	02/634162		Gasket t/case to block	1
9	02/630102		Screw	2
10	02/630427		Tube engine oil filler	1
11	02/630455		Cap engine oil filler	1
12	02/630178		Seal	1
13	02/630428		Spacer	1
14	02/630079		O Ring	1
15	02/630097		Plate	1
16	02/630098		Gasket	1
17	02/634084		Screw	1
18	02/630429		Bolt	3
19	02/630078		Nut	3
20	02/630800		Pump oil idler gear	1
21	02/630465		Camshaft assembly	1
22	****		None serviced part	1
23	:02/630769		Bearing	1
24	:02/630082		Spacer	1
25	:02/630768		Gear	1
26	:02/630068		Key	1
27	02/634161		Tappet	1
28	02/630101		Plate	1
29	02/630102		Screw	1



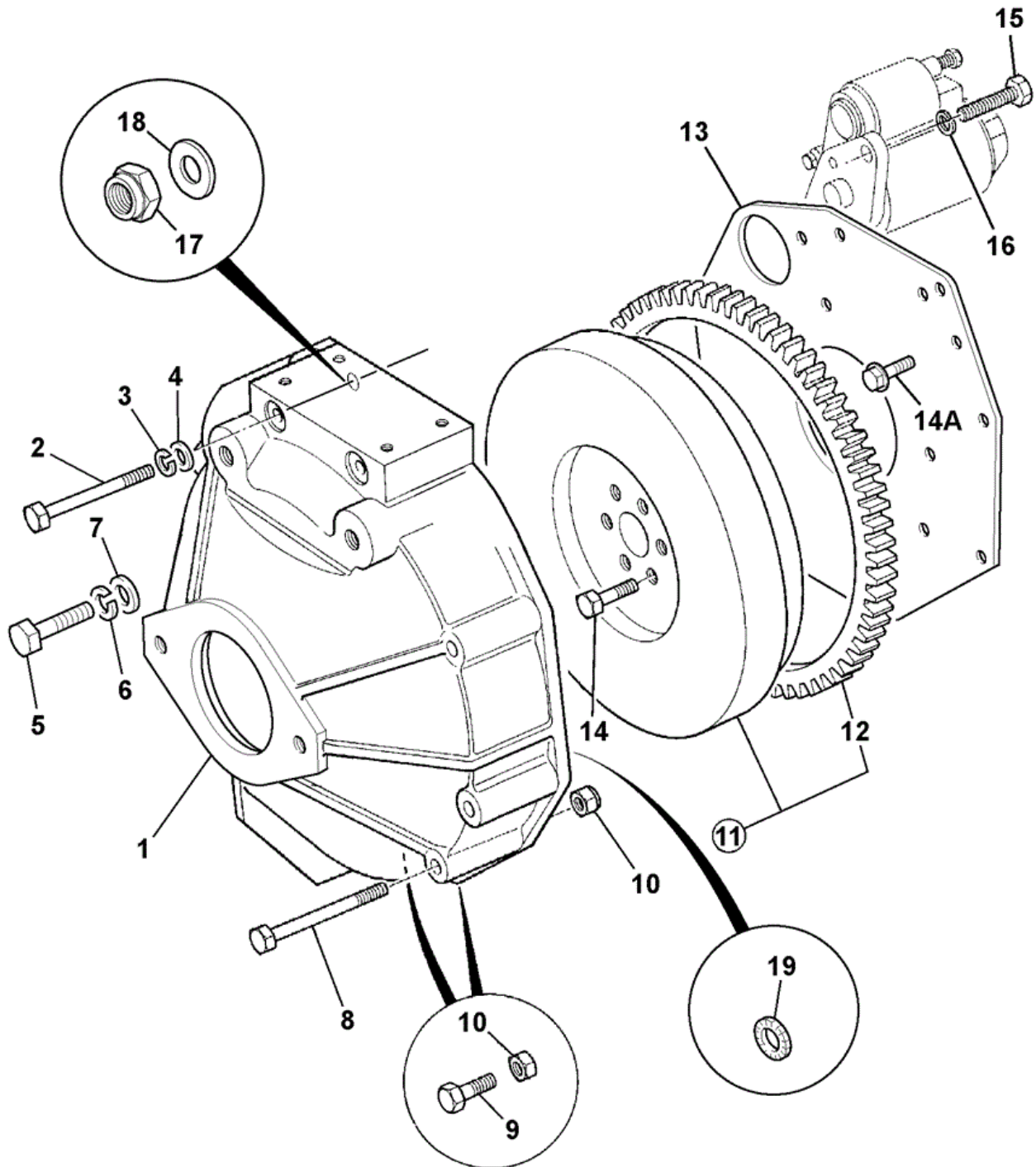
394430

Item	Part #	Change No	Description	Usage Code	QTY
1	02/630460		Casing timing		1
2	:02/634113		Case timing		1
3	:02/630458		Kit-timing lever		1
4	:02/630466		Switch torque trimming		1
5	:02/630457		Spring		1

6	:02/630112		Spring	1
7	:02/630113		Arm	1
8	:02/630114		O Ring	1
9	:02/630107		Circlip	1
10	:02/630783		Lever	1
11	:02/630116		Screw	1
12	:02/630096		Nut	1
13	:02/630859		Shaft	1
14	:02/630119		O Ring	2
15	:02/630120		Circlip	1
16	:02/630121		Stay	1
17	:02/630122		Screw	2
18	:1370/0101Z		Nut (M6)	1
19	:826/10742		Screw	2
20	:826/10743		Nut	2
21	:02/630125		Spring	1
22	:02/634053		Nut	2
23	:02/634164		Lever	1
24	:02/630126		Washer	1
25	:02/630128		Arm	1
26	:02/630107		Circlip	1
27	:02/630129		O Ring	1
28	:02/630763		Seal front oil	1
29	:02/630089		Pin	1
30	02/630111		Pin	1



9802/5470 M1-7-1 FLYWHEEL & HOUSING



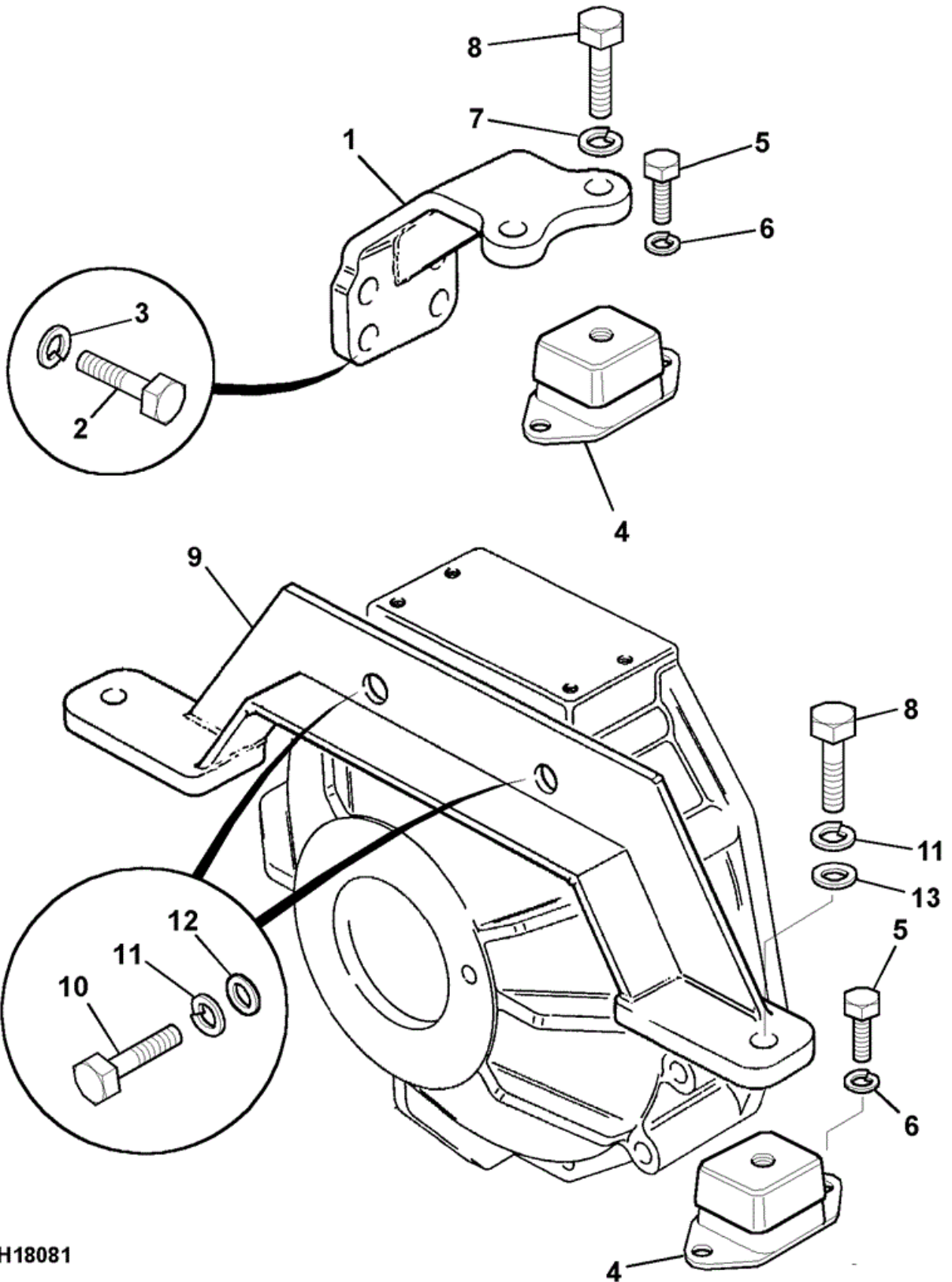
384651

Item	Part #	Change No	Description	Usage Code	QTY
1	589/10058		Housing flywheel		1
2	1315/3419Z		Bolt M10x90mm		2
3	1425/0008Z		Spring Washer		4

4	1420/0008Z		Washer (M10)	2
5	1315/0507Z		Setscrew M12 x 25	5
6	1425/0009Z		Washer Spring M12	9
7	1420/0009Z		Washer (M12)	3
8	1315/3421Z		Bolt M10 x 110	5
9	1315/0409Z		Setscrew M10 x 35	2
10	1370/0303Z		Nut lock M10	7
11	02/630841		Flywheel assembly	1
12	:02/630774		Gear starter ring	1
13	02/630396		Plate engine back	1
14	02/630775		Bolt	6
14A	02/634112		Screw	10
15	826/10732		Screw	2
16	02/630108		Washer	2
17	02/634059		Nut	2
18	02/630134		Washer spring	2
19	823/00532		Washer external lock	2



9802/5470 M1-8-1 ENGINE MOUNTINGS

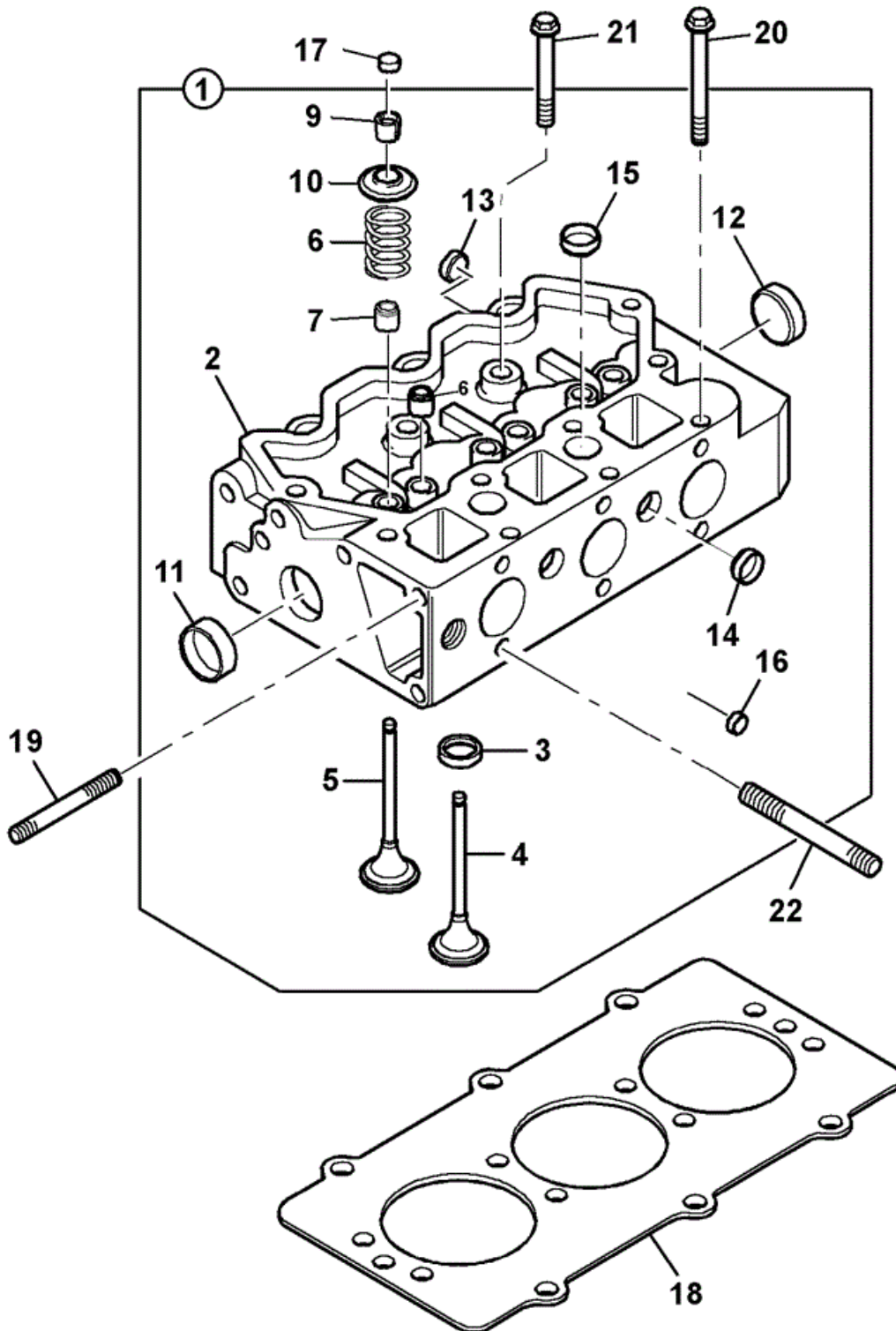


H18081

Item	Part #	Change No	Description	Usage Code	QTY
1	232/39800		Bracket mounting		2
2	826/01288		Bolt M14 x 30 <i>M14 X 30</i>		8
3	929/07237		Washer spring		8
4	232/39909		Mounting		4
5	1315/0408Z		Setscrew M10 x 30 <i>M10 x 30</i>		8
6	1425/0008Z		Spring Washer		8
7	1425/0009Z		Washer Spring M12 <i>M12</i>		2
8	1315/0509Z		Setscrew M12 x 35mm <i>M12</i>		4
9	335/05614		Arm Mounting		1
10	1315/0508Z		Setscrew M12 X 30		2
11	1425/0009Z		Washer Spring M12 <i>M12</i>		4
12	1420/0009Z		Washer (M12)		2
13	231/08909		Washer special		2



9802/5470 M2-1-1 CYLINDER HEAD HL BUILD



Thank you so much for reading.
Please click the “Buy Now!”
button below to download the
complete manual.



After you pay.

You can download the most
perfect and complete manual in
the world immediately.

Our support email:

ebooklibonline@outlook.com