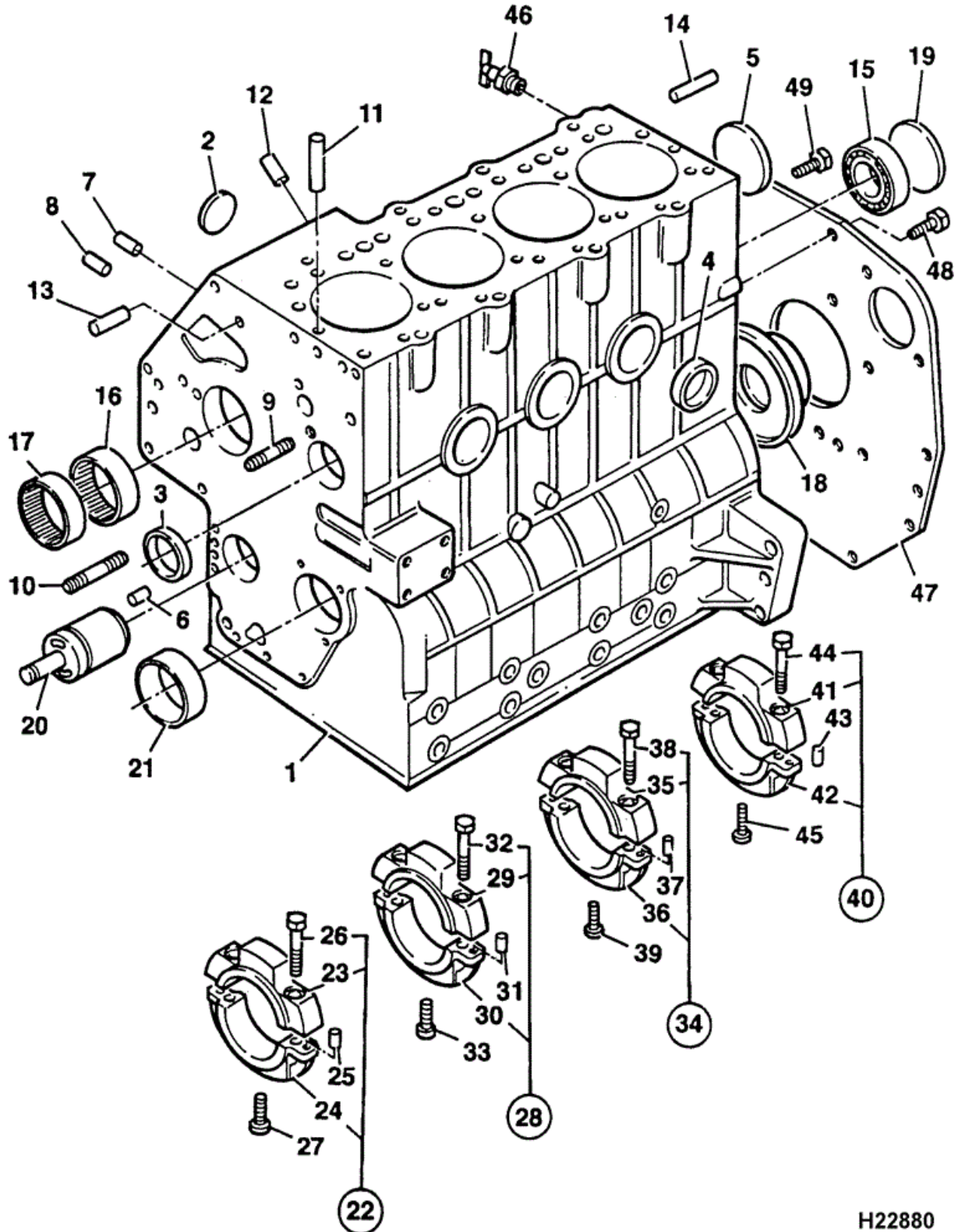


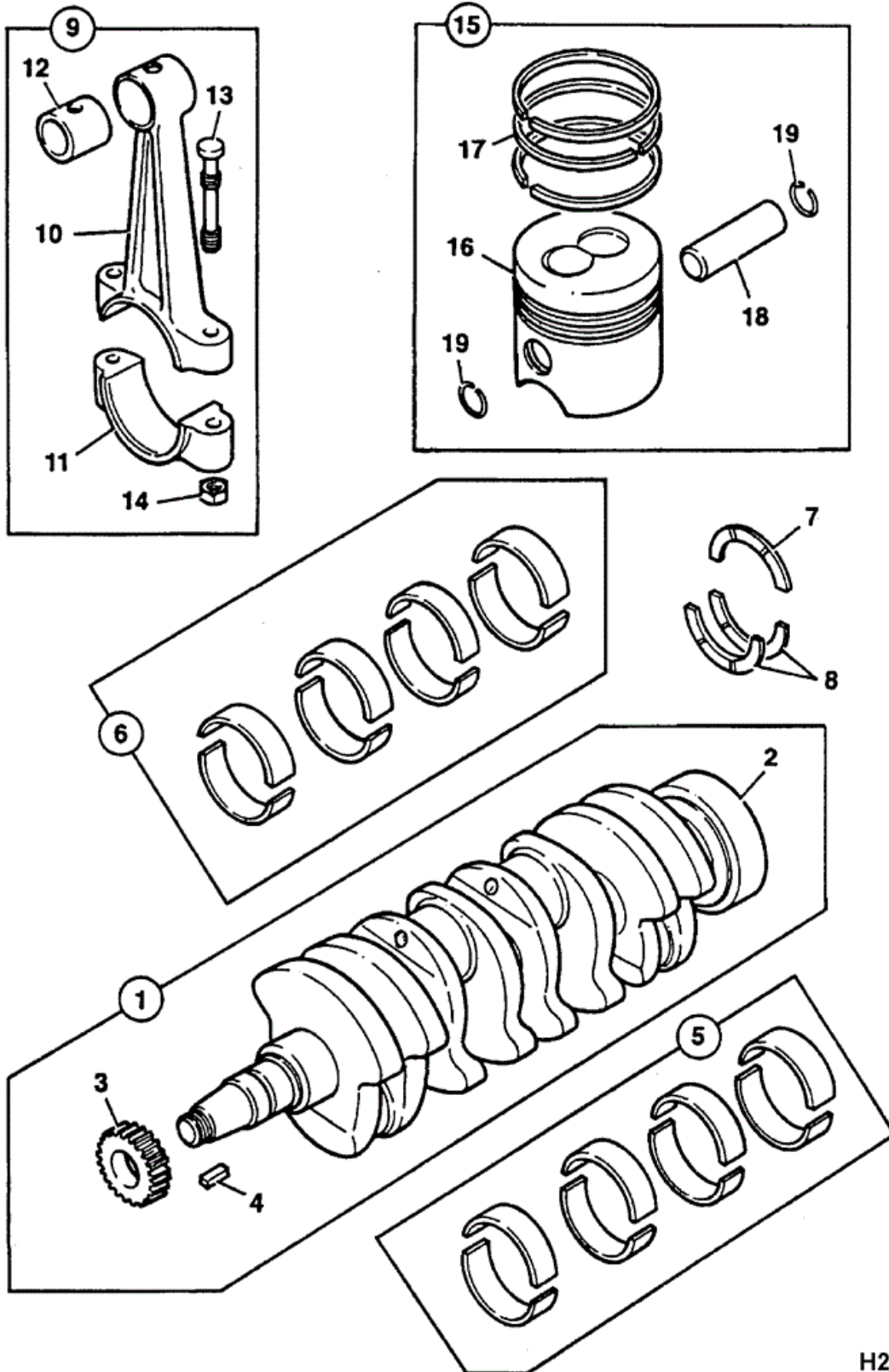


9802/5406 L1-3-1 BLOCK ASSEMBLY KR BUILD



H22880

Item	Part #	Change No	Description	Usage Code	QTY
1	02/634115		Block cylinder assembly		1
2	:02/630002		Plug D=25		2
3	:02/630004		Plug D=40mm		1
4	:02/630004		Plug D=40mm		3
5	:02/630004		Plug D=40mm		1
6	:02/630007		Plug 8.4mm		3
7	:02/630702		Plug 10.4mm		4
8	:02/630006		Plug 6.5mm		7
9	826/10720		Stud		1
10	02/630022		Stud		1
11	02/630019		Pin		2
12	02/630024		Dowel		2
13	02/630017		Dowel		2
14	02/630018		Dowel		2
15	02/630013		Bearing		1
16	02/634002		Bearing needle		1
17	02/634001		Bearing needle		1
18	02/634013		Seal rear oil		1
19	02/630014		Plug core D=45mm		1
20	02/630703		Hub		1
21	02/630704		Bush		1
21	02/630705		Bush oversize - 0.25mm		0
21	02/630706		Bush oversize - 0.50mm		0
22	02/634004		Cap bearing assembly		1
23	****		None serviced part		1
24	****		None serviced part		1
25	:02/630024		Dowel		2
26	:02/634005		Screw		2
27	02/634006		Screw		1
28	02/634007		Cap bearing assembly		1
29	****		None serviced part		1
30	****		None serviced part		1
31	:02/630024		Dowel		2
32	:02/634005		Screw		2
33	826/10763		Screw		1
34	02/634008		Cap bearing assembly		1
35	****		None serviced part		1
36	****		None serviced part		1
37	:02/630024		Dowel		2
38	:02/634005		Screw		2
39	02/634006		Screw		1
40	02/634009		Cap bearing assembly		1
41	****		None serviced part		1
42	****		None serviced part		1
43	:02/630024		Dowel		2
44	:02/634005		Screw		2
45	02/634006		Screw		2
46	02/630031		Tap drain		1
47	02/634010		Plate		1
48	02/634112		Screw		10



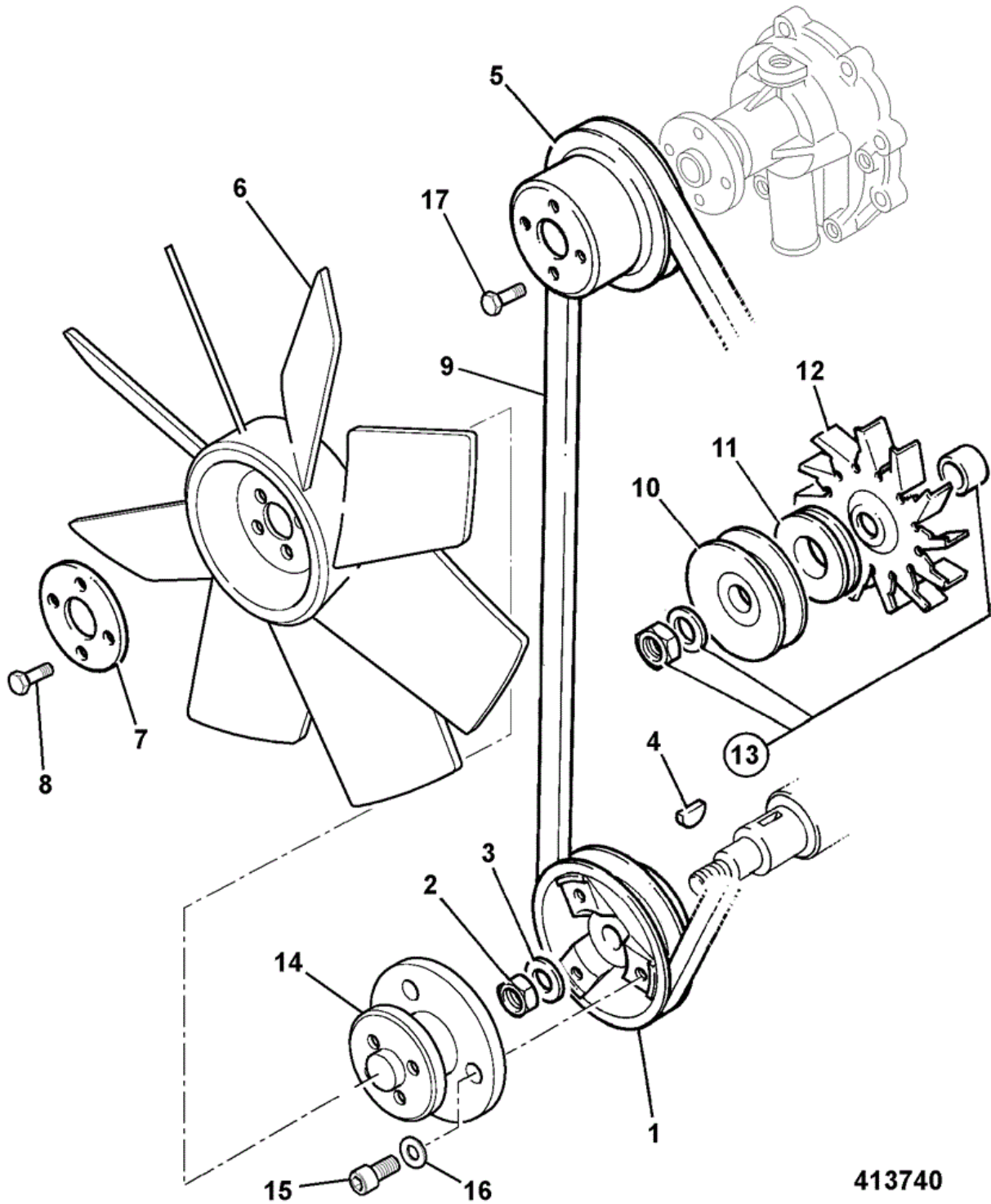
H22890

Item	Part #	Change No	Description	Usage Code	QTY
1	02/634020		Crankshaft assembly		1
2	****		None serviced part		1
3	:02/630716		Gear		1
4	:02/630042		Key		1
5	02/634019		Kit-bearing main standard		1

5	02/634018		Kit-bearing main undersize - 0.25mm	1
5	02/634017		Kit-bearing main undersize - 0.50mm	1
6	02/634181		Kit-bearing big-end standard	1
6	02/634182		Kit-bearing big-end 0.25mm undersize	1
6	02/634183		Kit-bearing big-end 0.50mm undersize	1
7	02/634021		Washer thrust	1
8	02/630723		Washer thrust	2
9	02/634022		Conrod assembly	4
10	****		None serviced part	1
11	****		None serviced part	1
12	:02/630725		Bush small end	1
13	:02/630726		Screw	2
14	:02/630727		Nut	2
15	02/634101		Piston assembly standard	4
15	02/634102		Piston assembly oversize - 0.5mm	0
15	02/634103		Piston assembly oversize - 1.0mm	0
16	****		None serviced part	1
17	:02/630733		Kit-piston ring	1
17	02/630734		Kit-piston ring oversize - 0.50mm	0
17	02/631262		Kit-piston ring oversize - 1.0mm	0
18	02/630731		Pin gudgeon	1
19	02/630732		Circlip	2



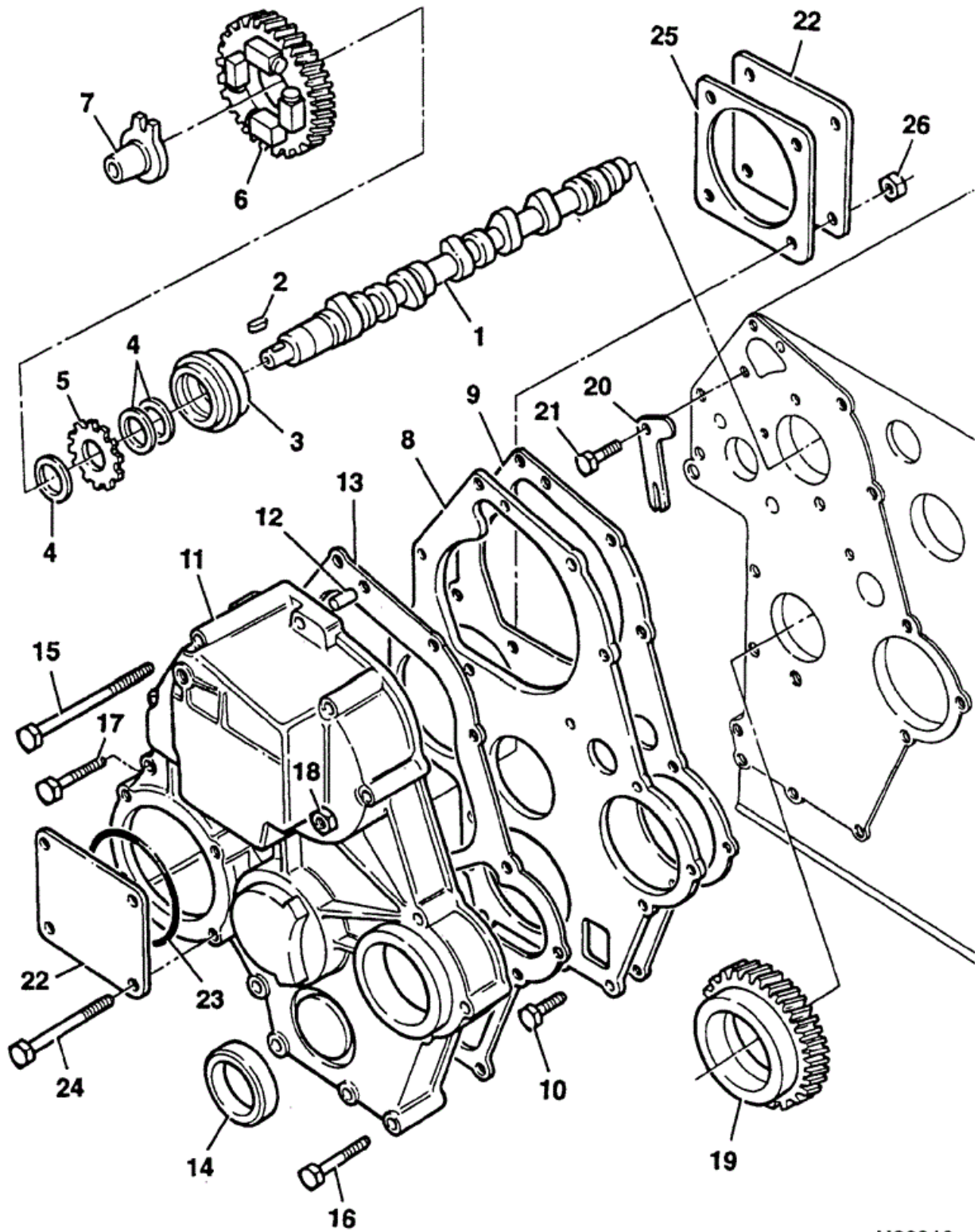
9802/5406 L1-5-1 FANS, PULLEYS & FAN BELT KR BUILD



413740

Item	Part #	Change No	Description	Usage Code	QTY
1	02/634088		Pulley crankshaft		1
2	02/630778		Nut		1
3	02/630779		Washer		1

4	02/630068		Key	1
5	02/630835		Pulley water pump	1
6	30/925280		Fan 16 inch dia	1
7	02/634075		Plate	1
8	1391/3209Z		Capscrew M6 x 35	4
9	02/634095		Belt fan L=990mm	1
10	02/102012		Pulley single D=83mm	1
11	02/201382		Spacer alternator pulley	1
12	02/200452		Fan alternator	1
13	714/20405		Kit-sundry parts	1
14	331/12311		Spacer fan	1
15	1391/3507Z		Capscrew	3
16	1420/0006Z		Washer (M6)	3
17	02/634076		Screw	4



H22910

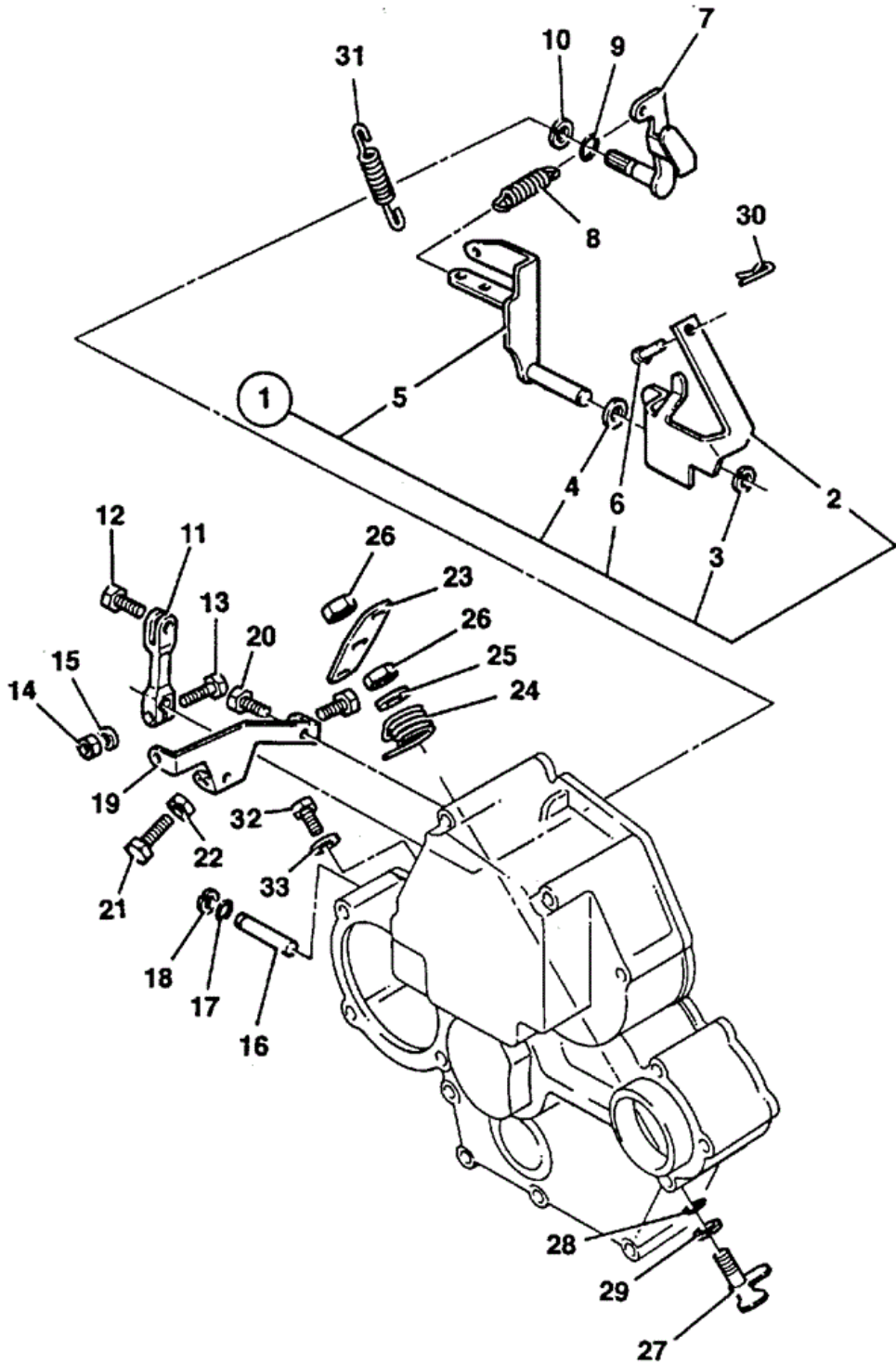
Item	Part #	Change No	Description	Usage Code	QTY
1	02/634033		Camshaft		1
2	02/630068		Key		1
3	02/634032		Bearing		1
4	02/630082		Spacer		1
5	02/630083		Gear		1

6	02/630768		Gear		1
7	02/630085		Tappet		1
8	02/634180		Plate		1
9	02/630766		Gasket		1
10	02/630102		Screw		2
11	02/634185		Casing timing		1
12	02/630089		Pin		1
13	02/630764		Gasket		1
14	02/630763		Seal front oil		1
15	02/630762		Screw		6
16	02/630093		Screw		2
17	02/630095		Screw		5
18	02/630096		Nut		1
19	****		'See Remark' <i>SEE OIL PUMP, L5-2-1</i>		1
20	02/634087		Plate		1
21	02/630102		Screw		2
22	02/630097		Plate		2
23	02/630079		O Ring		1
24	02/634105		Screw		4
25	02/630098		Gasket		1
26	02/630078		Nut		4



9802/5406 L1-6-2 TIMING LEVERS ARMS & SPRINGS KR

BUILD



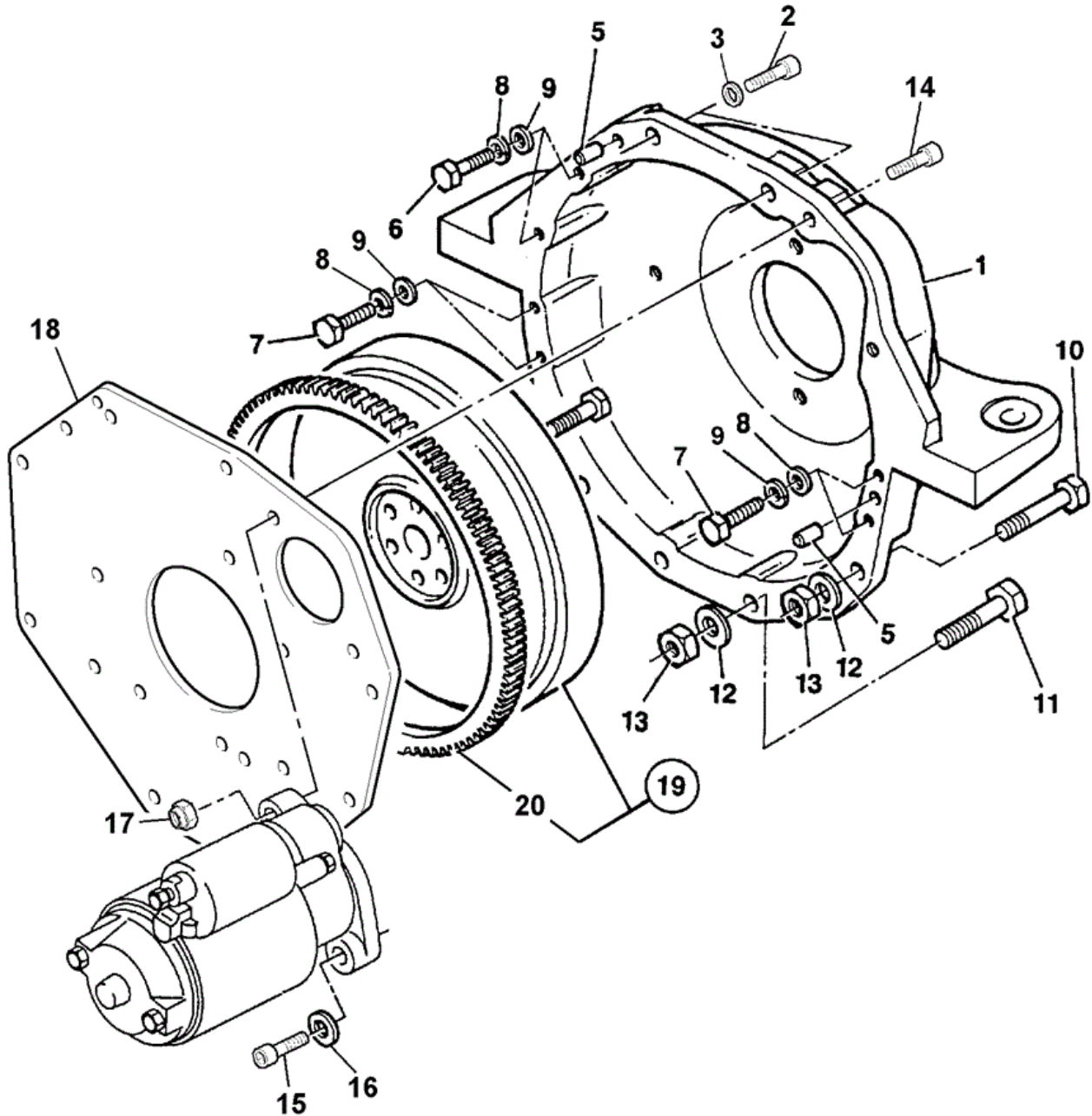
H22921

Item	Part #	Change No	Description	Usage Code	QTY
1	02/634050		Lever		1

2	****		None serviced part	1
3	:02/630107		Circlip	1
4	:02/630108		Washer	1
5	:02/630781		Lever	1
6	:02/634089		Pin	1
7	02/630113		Arm	1
8	02/634090		Spring	1
9	02/630114		O Ring	1
10	02/630107		Circlip	1
11	02/634052		Lever	1
12	02/630116		Screw	1
13	02/630123		Screw	1
14	02/630096		Nut	1
15	02/630126		Washer	1
16	02/630785		Shaft	1
17	02/630119		O Ring	1
18	02/630120		Circlip	1
19	02/630121		Stay	1
20	02/630122		Screw	2
21	02/630131		Screw	2
22	02/630096		Nut	2
23	02/630124		Lever	1
24	02/630125		Spring	1
25	02/630126		Washer	1
26	02/634053		Nut	2
27	02/630128		Arm	1
28	02/630129		O Ring	1
29	02/630130		Circlip	1
30	02/630111		Pin	1
31	02/630112		Spring	1



9802/5406 L1-7-1 FLYWHEEL & HOUSING KR BUILD



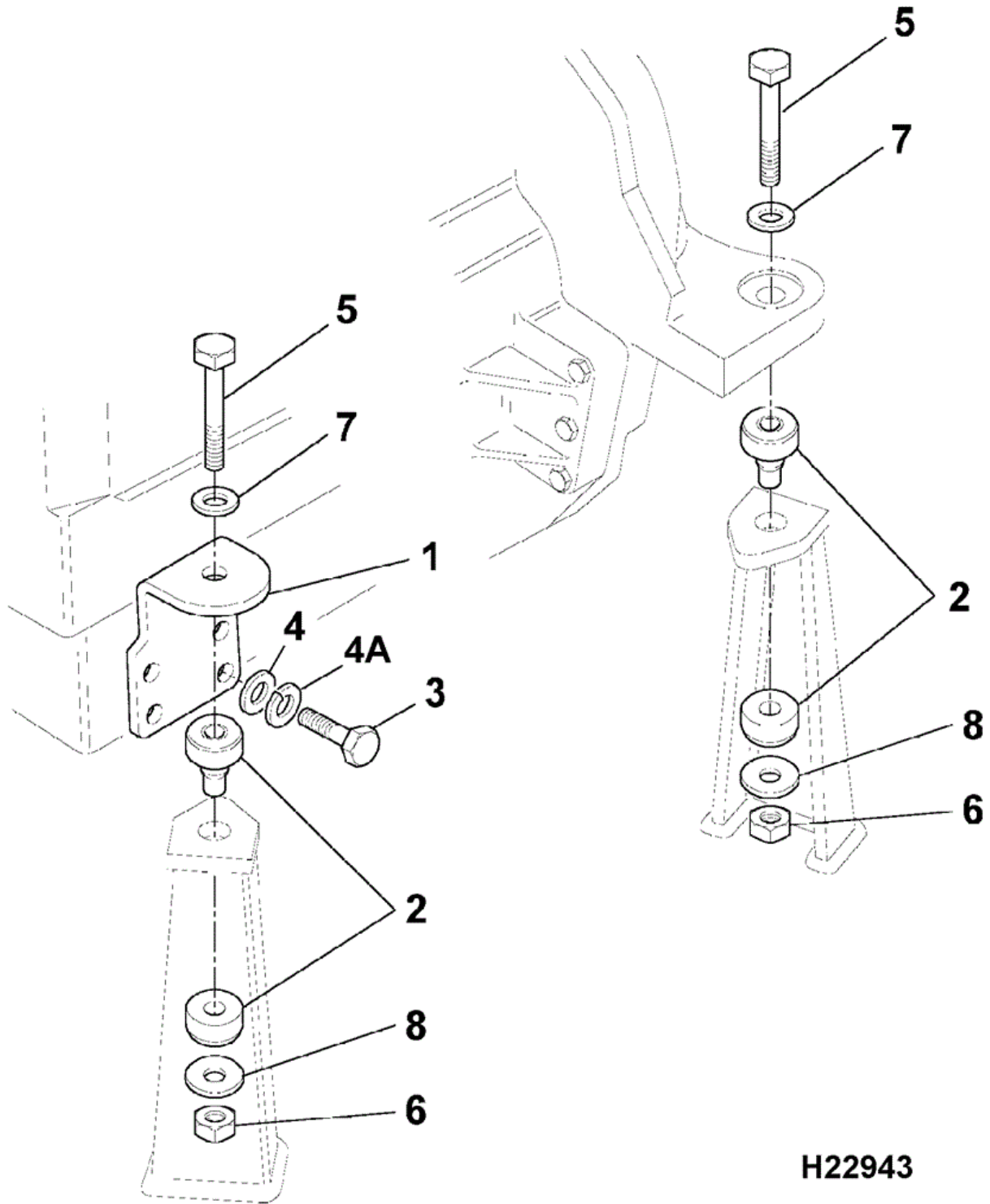
H22932

Item	Part #	Change No	Description	Usage Code	QTY
1	234/02818		Housing		1
2	1391/3509Z		Capscrew		2
3	823/00309		Washer hardened (13mm x 23mm x 2.7mm)		2

5	02/630018		Dowel		2
6	1315/0407Z		Setscrew M10 x 25 mm		2
7	1315/3413Z		Bolt M10 x 55		4
8	1425/0008Z		Spring Washer		6
9	1420/0008Z		Washer (M10)		6
10	1315/3414Z		Bolt M10x60		2
11	1315/0408Z		Setscrew M10 x 30		4
12	JHP0046		Washer M10		6
13	1370/0303Z		Nut lock M10		6
14	1391/3412Z		Capscrew		1
15	1391/3409Z		Capscrew M10 x 35mm		1
16	JHP0046		Washer M10		1
17	1370/0303Z		Nut lock M10		1
18	****		'See Remark' <i>Plate, See frame L1-3-1</i>		1
19	02/634048		Flywheel assembly		1
20	:02/634049		Gear flywheel ring		1
21	02/630775		Bolt		6



9802/5406 L1-8-1 ENGINE MOUNTS



H22943

Item	Part #	Change No	Description	Usage Code	QTY
1	234/02803		Plate engine mounting		2
2	331/11983		Mounting engine		4
3	826/01288		Bolt M14 x 30		8

4	1422/0010Z		Washer hardened		8
4A	1425/0010Z		Washer		8
5	1315/3519Z		Bolt M12x90mm		4
6	1370/0403Z		Nut Lock, M12		4
7	1420/0009Z		Washer (M12)		4
8	111/15709		Washer		4

Thank you so much for reading.
Please click the “Buy Now!”
button below to download the
complete manual.



After you pay.

You can download the most
perfect and complete manual in
the world immediately.

Our support email:

ebooklibonline@outlook.com