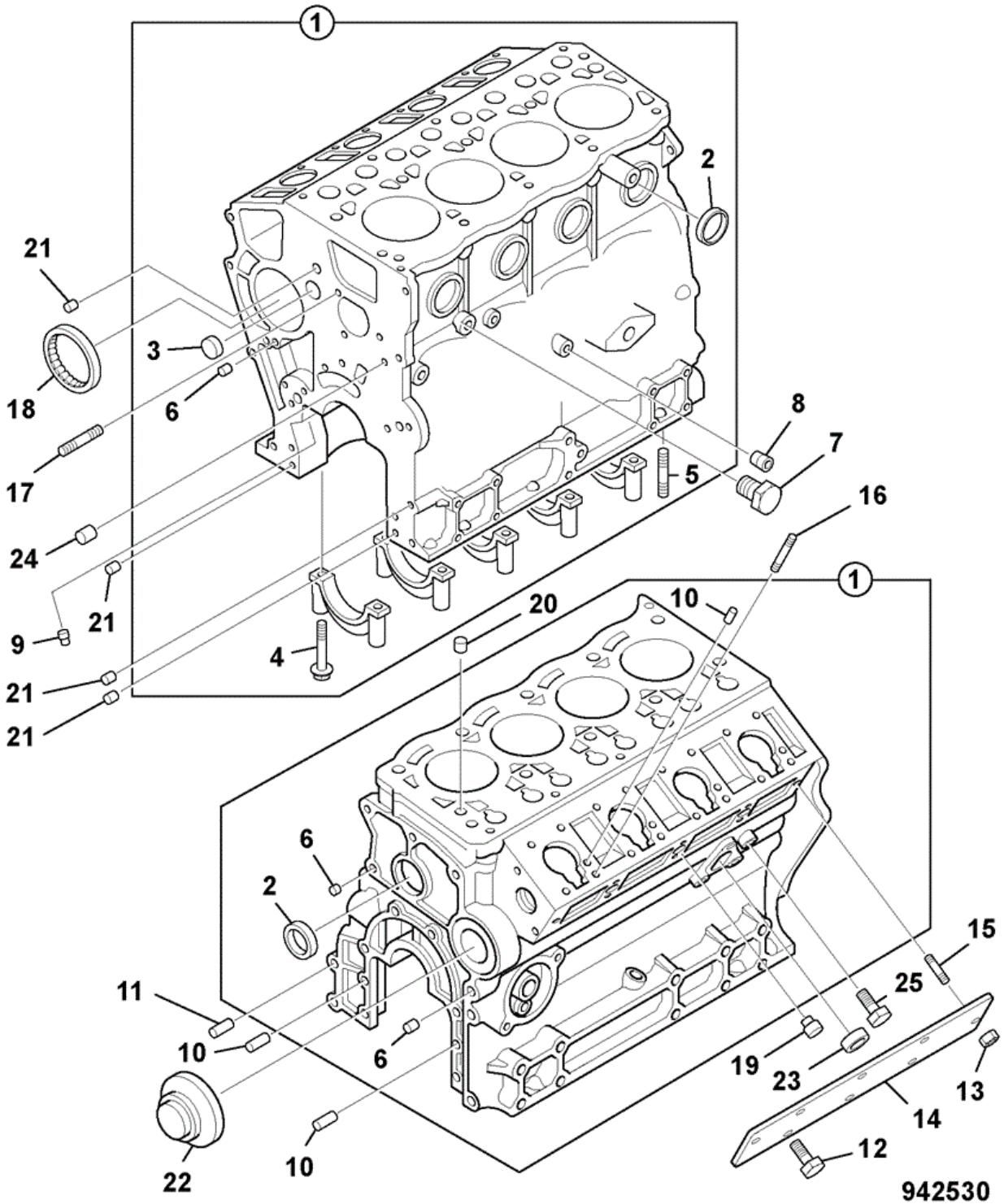




# 9802/5550 N1-13-1 ENGINE BLOCK 8055



Item	Part #	Change No	Description	Usage Code	QTY
1	02/803007		Cylinder Block Assy.		1
2	:02/802842		Cap o/d = 35mm		5

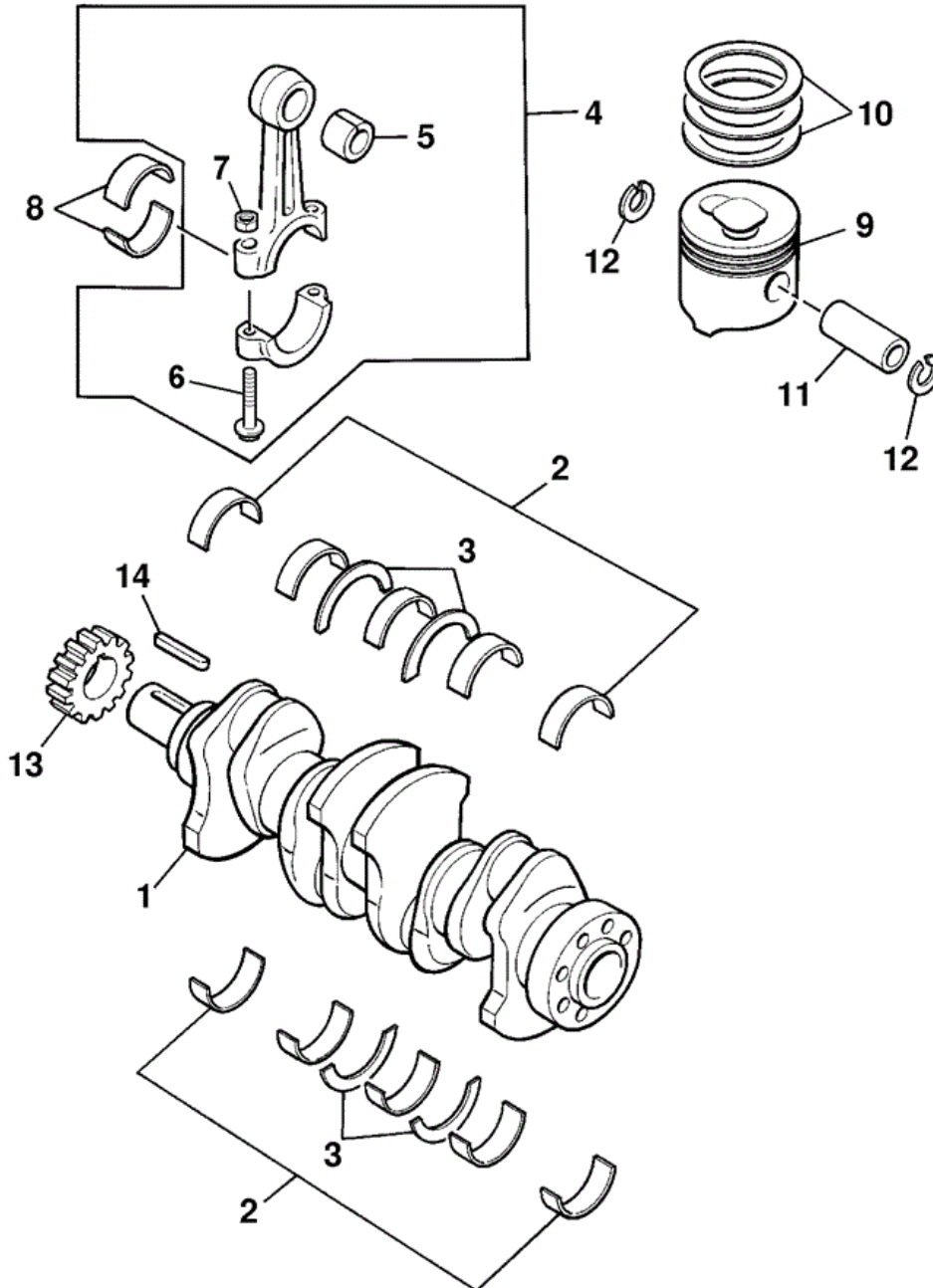
3	:02/800879		Plug O/D = 22mm	1
4	:02/802837		Bolt M11x83	10
5	:02/802493		Stud M6x16	4
6	:5096000130		Plug D=12	6
7	02/800019		Plug water drain, PT 1/4	1
8	1096050190		Plug PT 1/4	1
9	02/803127		Plug PT 1/8	1
10	02/803122		Pin 6ODx16	6
11	9081508160		Pin	2
12	02/802536		Bolt M6x12	5
12	02/802407		Bolt sensor M6x16 <i>Dipstick Holder</i>	1
13	02/802996		Nut M6	4
14	02/802916		Cover .	1
15	02/802965		Stud M6x25	3
15	02/802966		Stud M6x27	1
16	02/802780		Stud .	8
17	02/802963		Stud .	1
18	02/803053		Bearing Needle	1
19	02/802874		Pin .	2
20	02/802839		Dowel 15.25 OD	2
21	02/800321		Pin 11ODx8	4
22	02/802883		Plug .	1
23	02/801791		Plug O/D = 32	1
24	5096000130		Plug D=12	1
25	02/802798		Plug .	1
26	17/913402		Washer Washer sealing	1

Product Catalog \ AGRICULTURAL \ AGRICULTURE \ MINI CRAWLER EXCAVATORS \ 8055RTS 01536000-01537499,01614000-01615999 . 9802/5550 \ N ENGINE ISUZU 4LE1 & 4LE2 TIER 3 \ N01 ENGINE, BLOCK & SUB ASSEMBLIES



# 9802/5550 N1-14-1 CRANKSHAFT, PISTONS CONRODS

8055



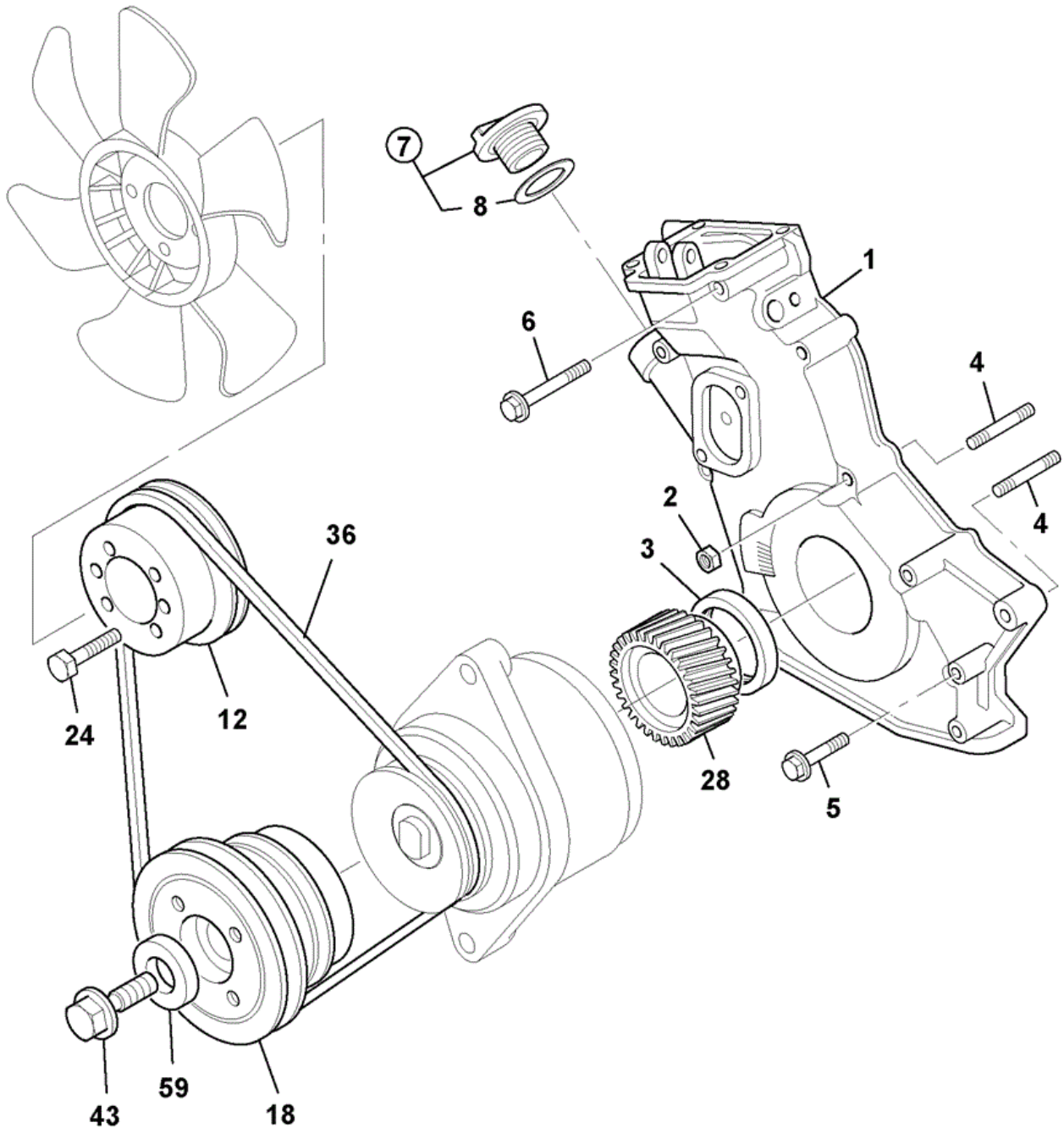
**358182**

Item	Part #	Change No	Description	Usage Code	QTY
1	02/802911		Crankshaft .		1

2	02/803140		Kit Bearings, Crankshaft standard		1
3	332/F3365		Washer thrust		2
4	02/802988		Conrod Assy.		4
5	:02/802989		Bush .		1
6	:02/802840		Bolt .		2
7	:02/802841		Nut .		2
8	02/803049		Conrod Std		4
9	02/802960		Piston Std.		4
9	02/802959		Piston +0.25		4
10	02/802926		Kit Piston Ring Std.		4
10	02/802927		Kit Piston Ring +0.25		4
11	02/802806		Pin .		4
12	02/802821		Circlip .		8
13	02/802994		Gear		1
14	02/800901		Key woodruff		1

Product Catalog \ AGRICULTURAL \ AGRICULTURE \ MINI CRAWLER EXCAVATORS \ 8055RTS 01536000-01537499,01614000-01615999 . 9802/5550 \ N ENGINE ISUZU 4LE1 & 4LE2 TIER 3 \ N01 ENGINE, BLOCK & SUB ASSEMBLIES

**JCB** 9802/5550 N1-16-1 TIMING COVER FRONT END DRIVE  
8055



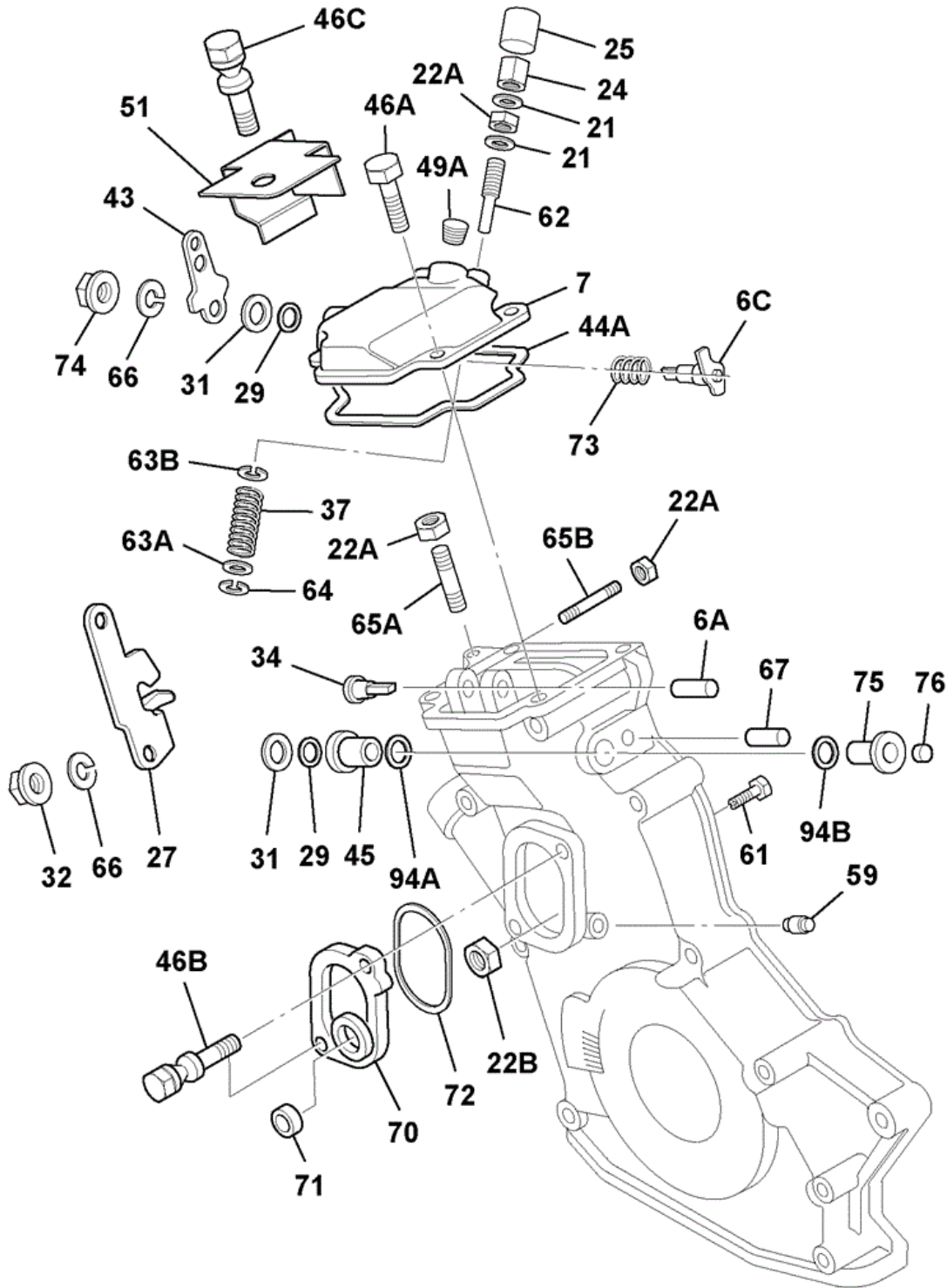
942540

Item	Part #	Change No	Description	Usage Code	QTY
1	02/802978		Casing .		1

2	02/802388		Nut cover M8	2
3	02/802497		Seal oil crankshaft front <i>See N8-11-1</i>	1
4	02/802768		Stud .	1
4	02/802964		Stud M8x50	1
5	02/802760		Bolt M8x60	6
6	02/802534		Bolt M8 x 80	2
7	02/802744		Cap Oil Filler	1
8	:02/800399		Seal	1
12	02/802950		Pulley .	1
12A	1315/0303D		Setscrew M8 x 16mm	4
12B	1420/0007D		Washer (M8)	4
18	02/802948		Pulley .	1
24	0208006120		Bolt M6x12	1
28	02/802994		Gear	1
36	332/S7129		Belt fan drive L=880mm	1
43	02/802855		Bolt M14x34	1
59	02/802832		Washer .	1



9802/5550 N1-16-2 TIMING CASE 8055



942550

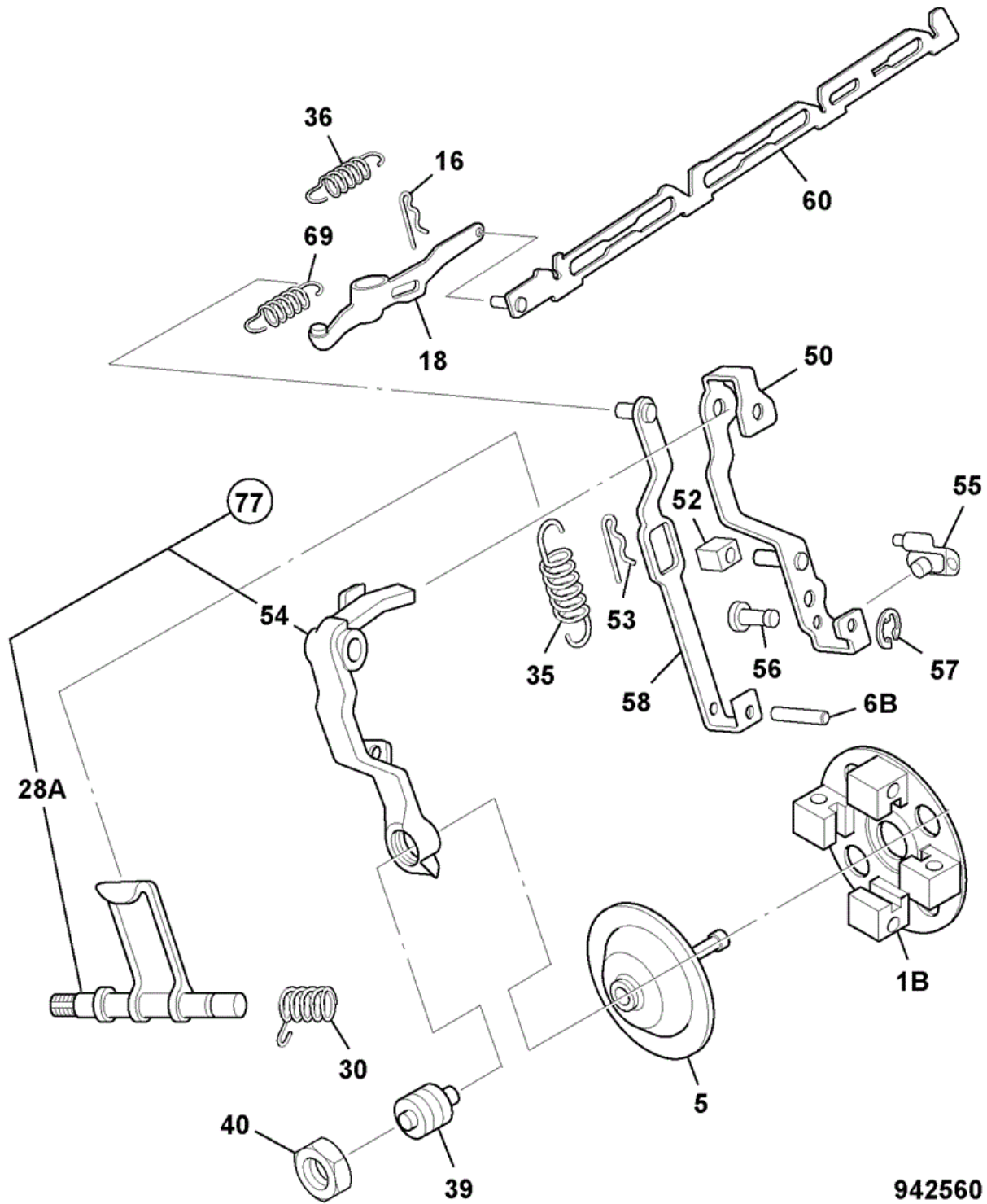
Item	Part #	Change No	Description	Usage Code	QTY
6A	02/803124		Shaft .		1
6C	02/802865		Shaft .		1

7	02/802934	<05/2008	Cover .	1
7	02/803110	>06/2008	Cover .	1
21	02/802794		Gasket . <i>See N8-11-1</i>	2
22A	02/803132		Nut .	3
22B	02/802519		Nut M6	1
24	02/802793		Nut .	1
25	02/802813		Cap .	1
27	02/802885		Lever .	1
29	02/802781		Gasket . <i>See N8-11-1</i>	2
31	02/802795		Washer .	2
32	02/802733		Nut M8	1
34	02/802814		Eye-end .	1
37A	02/802895		Spring .	1
43	02/802979		Lever .	1
44A	02/802887		Gasket . <i>See N8-11-1</i>	1
44B	N/A		Not applicable not available	1
45	02/802968		Bush .	1
46A	02/802549		Bolt M6 x 20	3
46B	02/802922		Bolt M6x16	2
46C	02/802923		Bolt M6x22	1
49A	1096050190		Plug PT 1/4	1
51	02/802998		Cover	1
59	02/803006		Plug .	1
61	02/802876		Screw .	1
62	02/802864		Screw .	1
63A	02/803125		Washer .	1
63B	02/803126		Washer .	1
64	02/802776		Ring Snap	1
65A	02/802848		Screw .	1
65B	02/802848		Screw .	1
66	02/802772		Washer .	2
67	02/803119		Pin .	1
70	02/802986		Cover .	1
71	5111290060		Plug sealing, D=16	1
72	02/802949		Gasket . <i>See N8-11-1</i>	1
73	02/802875		Spring .	1
74	02/802733		Nut M8	1
75	02/802967		Bush .	1
76	02/802858		Cap .	1
94A	02/803128		Gasket . <i>See N8-11-1</i>	1
94B	02/803129		Gasket . <i>See N8-11-1</i>	1





# 9802/5550 N1-16-3 GOVERNOR ASSEMBLY 8055



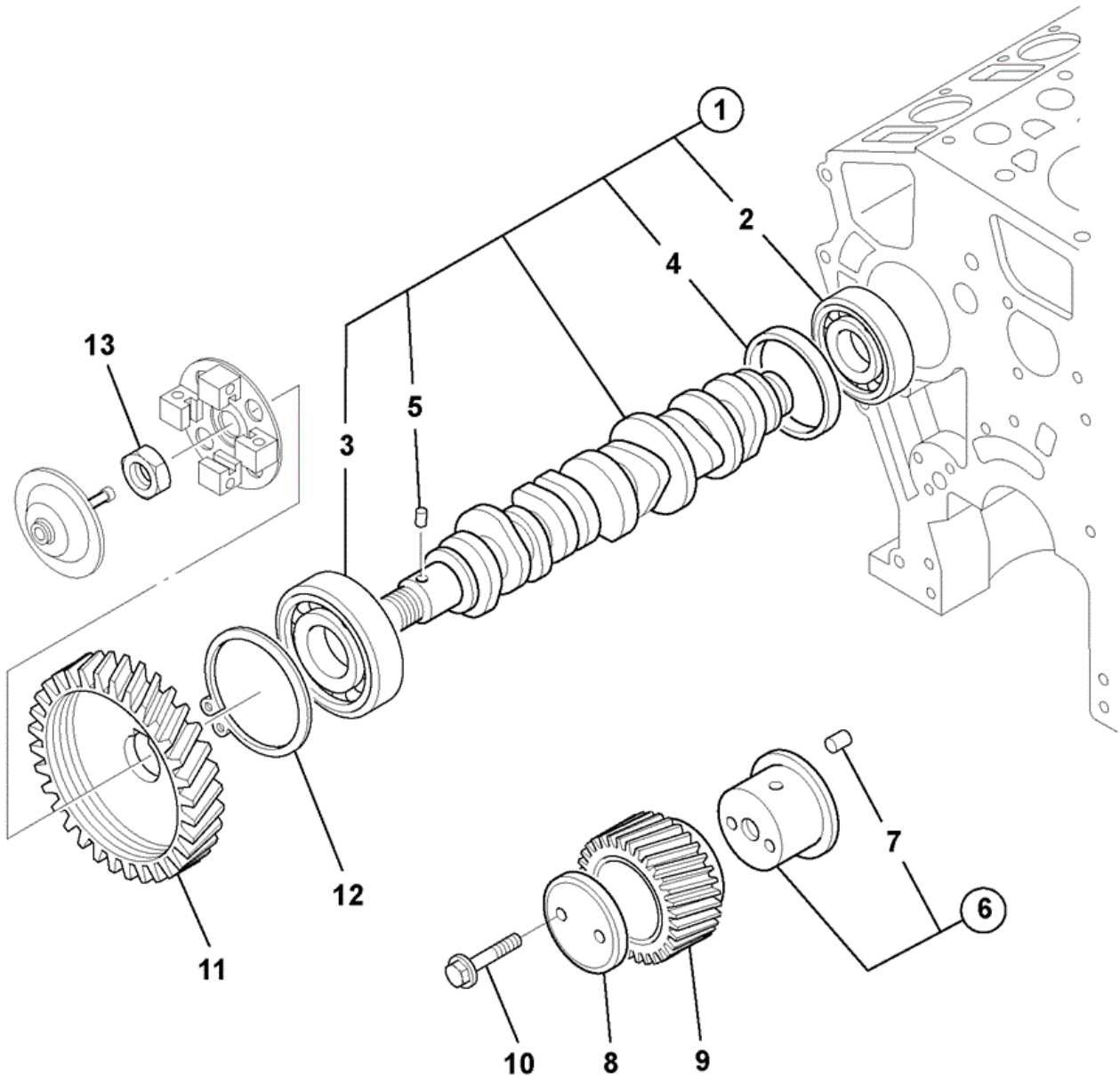
Item	Part #	Change No	Description	Usage Code	QTY
1B	02/803004		Weight Governor		1
5	02/802929		Sleeve .		1

6B	02/803121		Shaft .	1
16	02/802786		Pin .	1
18	02/802933		Plate .	1
28A	02/802872		Lever .	1
30	02/802866		Spring .	1
35	02/802893		Spring .	1
36	02/802898		Spring .	1
39	****		T.B.A	1
40	02/802826		Nut .	1
50	02/802980		Lever .	1
52	02/802982		Guide .	1
53	02/802786		Pin .	1
54	02/802871		Lever .	1
55	02/803144		Pivot Bracket	1
56	02/802983		Shaft .	1
57	02/802777		Ring Snap	1
58	02/802981		Lever .	1
60	02/803046		Link .	1
69	02/802897		Spring Set	1
77	02/802902		Kit Lever <i>Supplied with 28A &amp; 54</i>	1

Product Catalog \ AGRICULTURAL \ AGRICULTURE \ MINI CRAWLER EXCAVATORS \ 8055RTS 01536000-01537499,01614000-01615999 . 9802/5550 \ N ENGINE ISUZU 4LE1 & 4LE2 TIER 3 \ N01 ENGINE, BLOCK & SUB ASSEMBLIES



# 9802/5550 N1-16-4 TIMING GEAR AND CAMSHAFT 8055



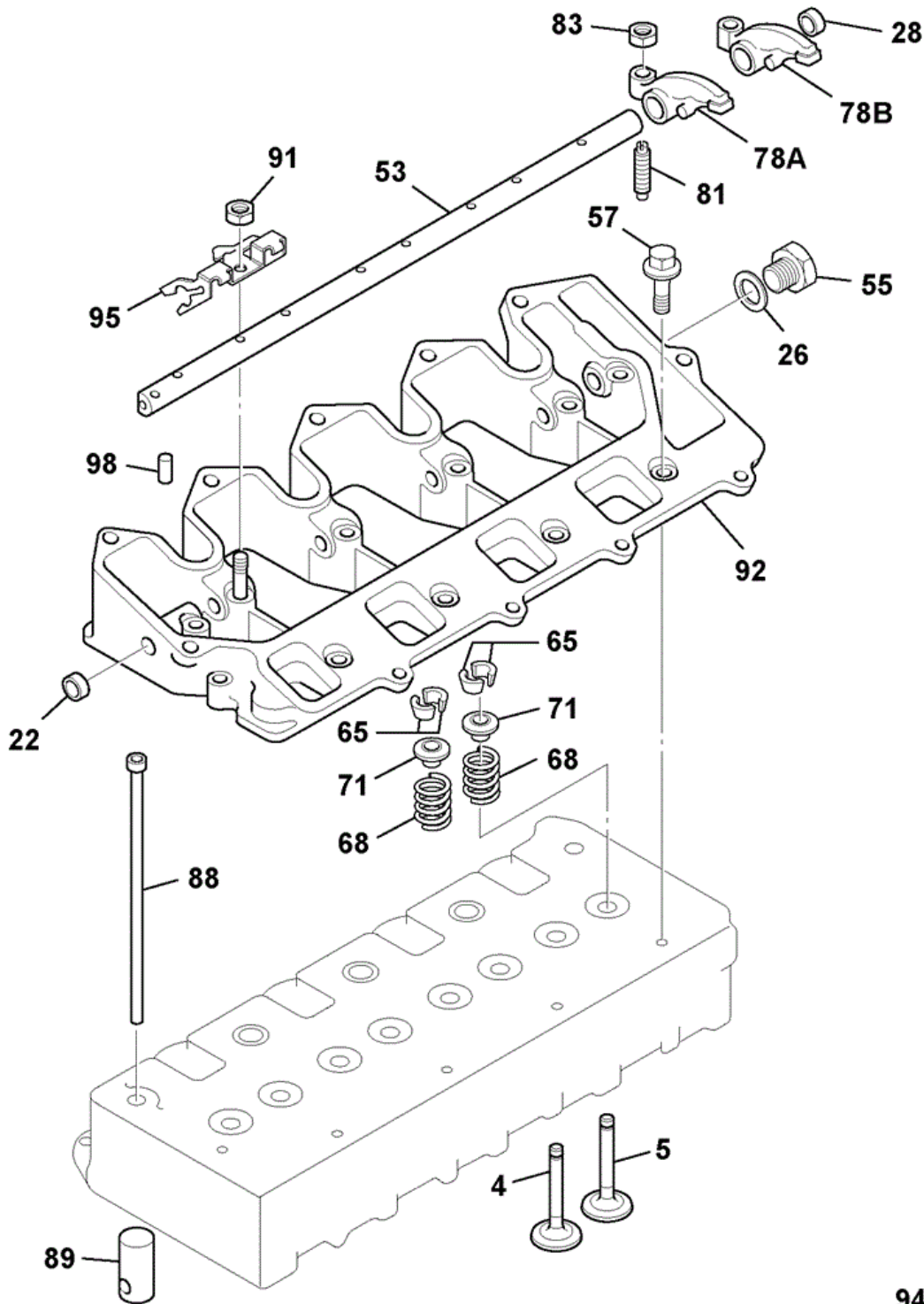
942570

Item	Part #	Change No	Description	Usage Code	QTY
1	02/802928		Camshaft .		1
2	:02/803116		Bearing .		1

3	:02/803115		Bearing .	1
4	:02/802886		Ring .	1
5	:9098786260		Pin 5ODx6	1
6	02/802919		Shaft .	1
7	:9081605100		Pin thrust 5ODx10	1
8	02/802808		Collar .	1
9	02/802920		Gear .	1
10	02/802120		Bolt	2
11	02/802985		Gear .	1
12	9091801620		Ring snap	1
13	02/802977		Nut .	1



# 9802/5550 N2-2-1 ROCKERS AND VALVES



942590

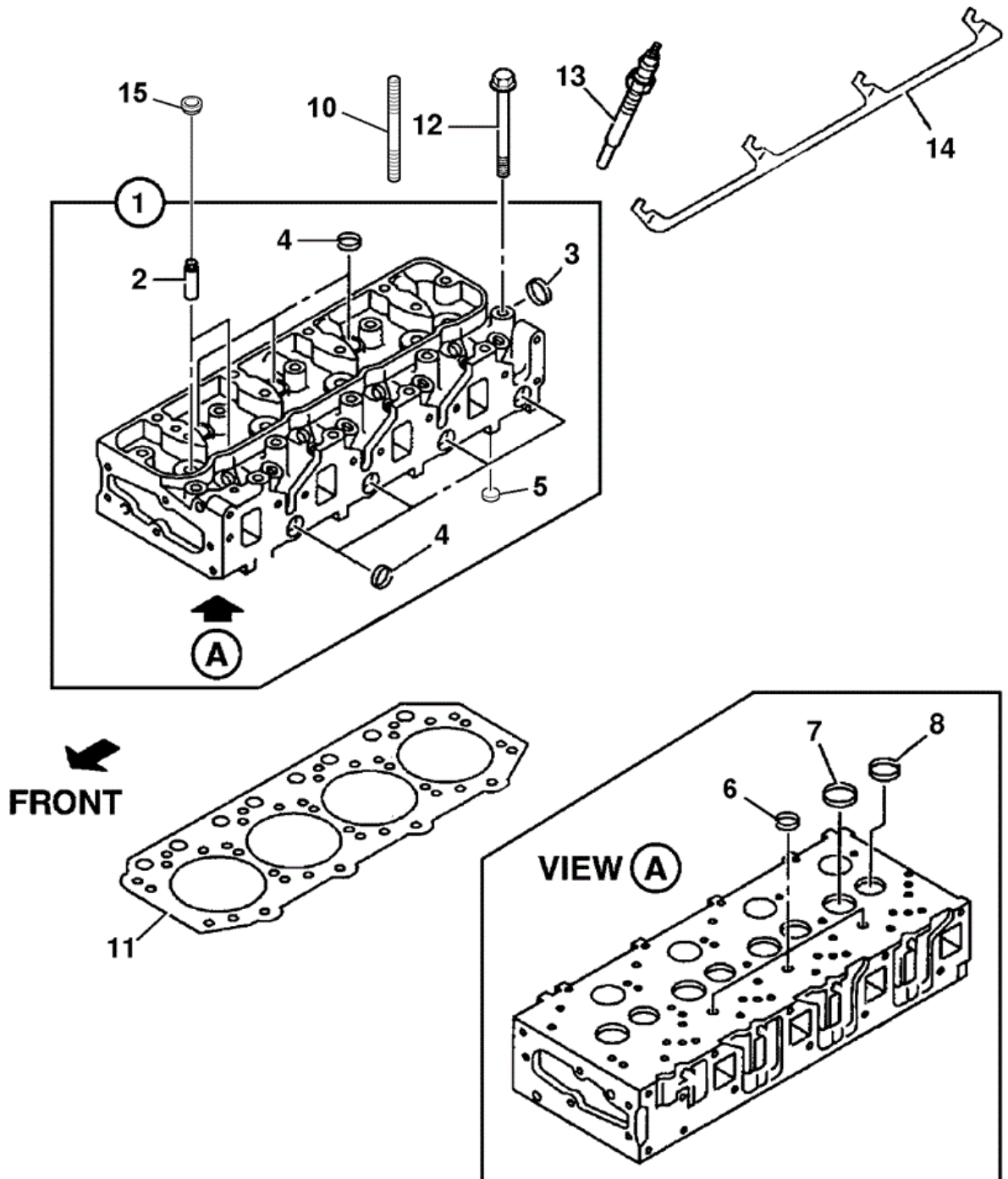
Item	Part #	Change No	Description	Usage Code	QTY
4	02/802904		Valve Inlet		4
5	02/802881		Valve Exhaust		4

22	02/803131		Cap O/D =12mm	1
26	9095714140		Washer seal	1
28	02/802956		Cap O/D = 8MM	1
53	02/802915		Shaft Rocker	1
55	02/803032		Plug M14x9	1
57	02/802419		Bolt oil level switch M6x25	5
57	02/802755		Bolt M6 x 50	5
65	02/802427		Collet split	16
68	02/802869		Spring .	8
71	02/802845		Seat .	8
78A	02/802944		Arm rocker inlet	4
78B	02/802945		Arm rocker exhaust	4
81	02/802861		Screw .	8
83	02/803132		Nut .	8
88	02/802888		Rod Push	8
89	02/802917		Tappet .	8
89	02/802870		Tappet .	8
91	02/802996		Nut M6	6
92	02/803035		Bracket .	1
95	02/802890		Spring .	4
98	02/803120		Pin 5ODx16	1

Product Catalog \ AGRICULTURAL \ AGRICULTURE \ MINI CRAWLER EXCAVATORS \ 8055RTS 01536000-01537499,01614000-01615999 . 9802/5550 \ N ENGINE ISUZU 4LE1 & 4LE2 TIER 3 \ N02 CYLINDER HEAD & SUB-ASSEMBLIES



### 9802/5550 N2-11-1 CYLINDER HEAD ASSY. 8055



358131

Item	Part #	Change No	Description	Usage Code	QTY
1	02/802910		Cylinder Head Assy.		1
2	:02/802868		Guide .		8

Thank you so much for reading.  
Please click the “Buy Now!”  
button below to download the  
complete manual.



After you pay.

You can download the most  
perfect and complete manual in  
the world immediately.

Our support email:

[ebooklibonline@outlook.com](mailto:ebooklibonline@outlook.com)