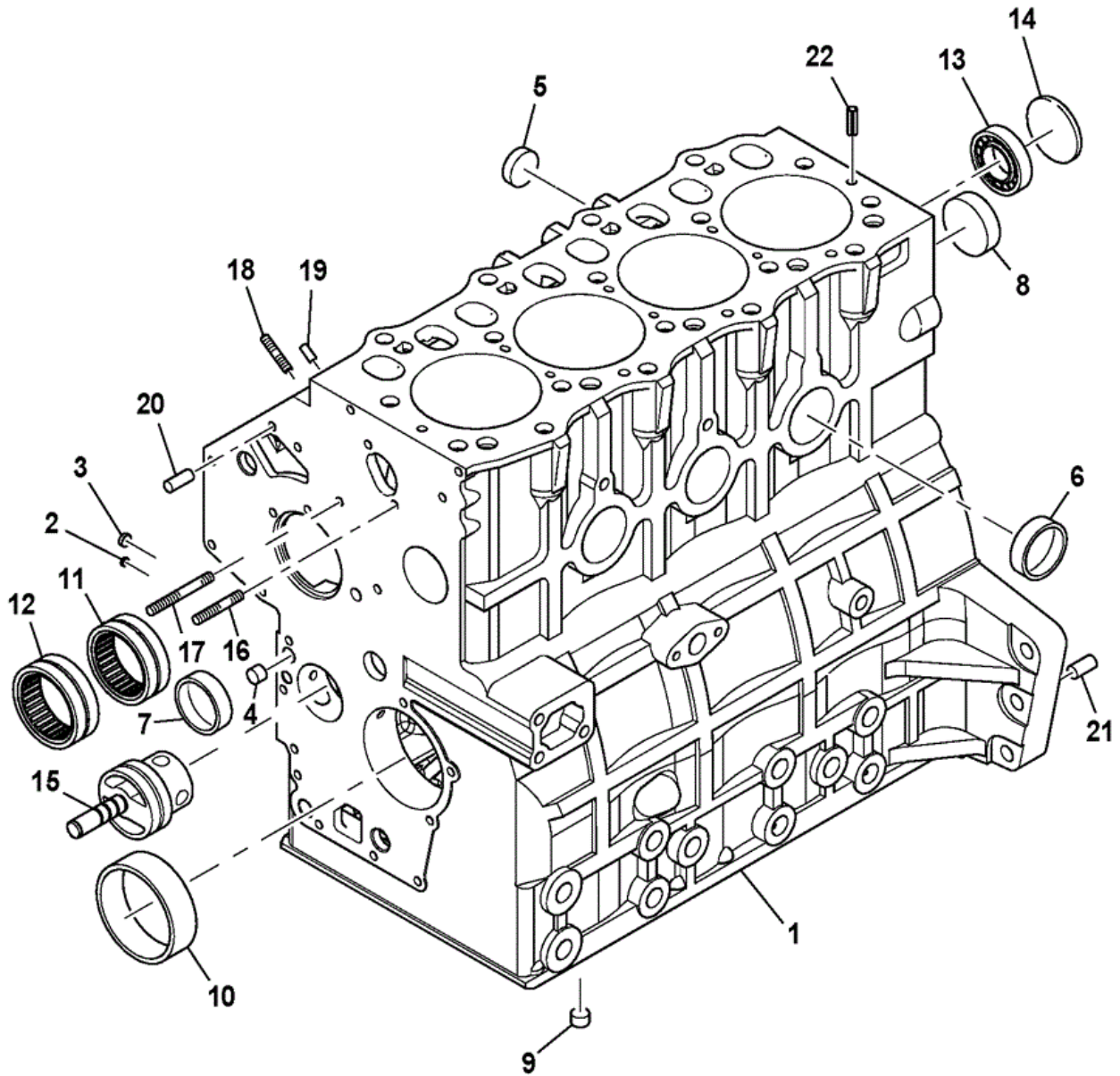




9822/0400 V120-1-1 CYLINDER BLOCK



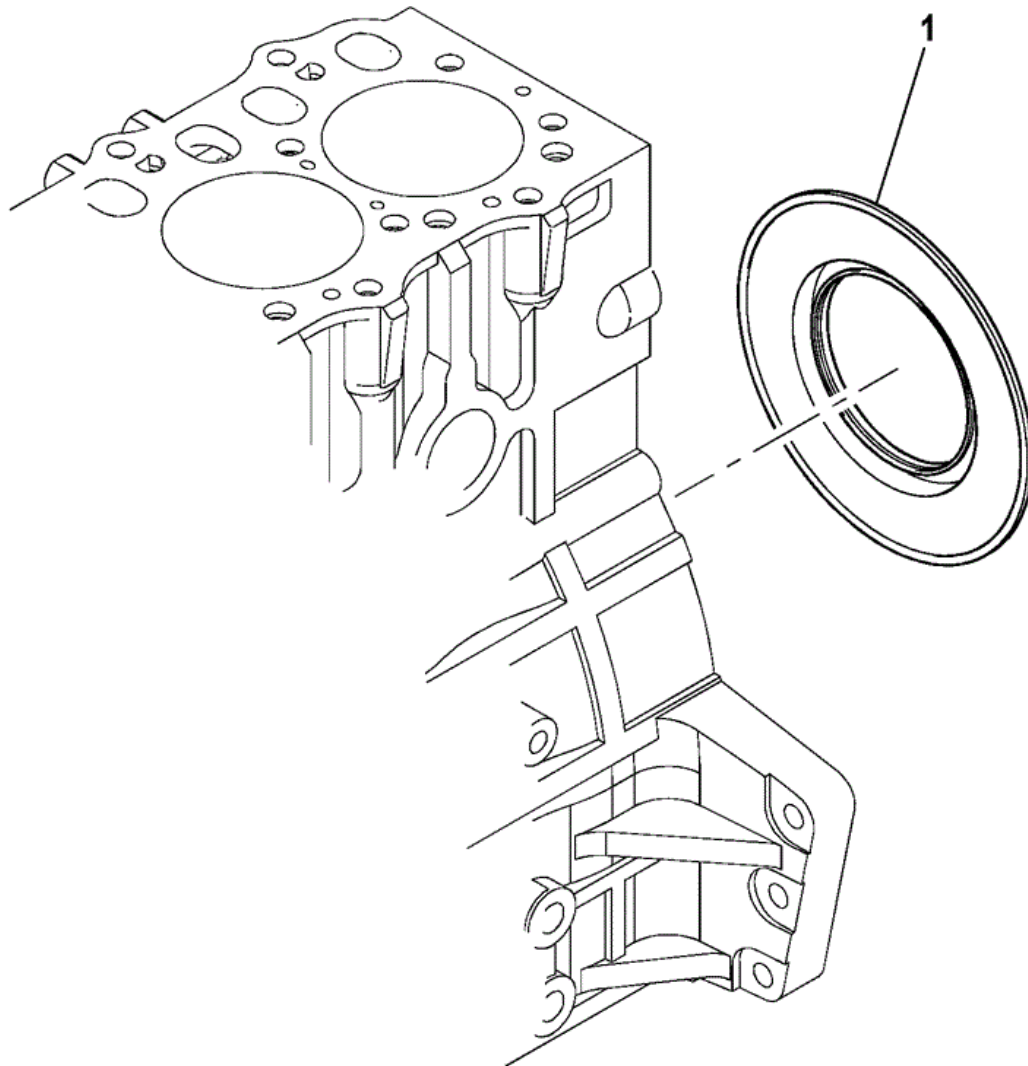
09-20770

Item	Part #	Change No	Description	Usage Code	QTY
1	****		None serviced part		1
2	02/630456		Plug D=40mm		4

3	02/630007		Plug 8.4mm	3
4	02/630702		Plug 10.4mm	3
5	02/634206		Plug core D=25mm	2
6	333/D1839		Plug core d=40mm	3
7	333/D1839		Plug core d=40mm	1
8	333/D1839		Plug core d=40mm	1
9	02/634202		Plug D=6.5mm	2
10	02/634203		Bush	1
10	02/634709		Bush -0.25mm undersize	1
10	02/634710		Bush -0.5mm undersize	1
11	02/634002		Bearing needle	1
12	02/634001		Bearing needle	1
13	02/630013		Bearing	1
14	02/630014		Plug core D=45mm	1
15	02/634768		Shaft .	1
16	826/10720		Stud	1
17	02/630022		Stud	1
18	826/10719		Stud	3
19	02/630024		Dowel	2
20	02/630017		Dowel	2
21	02/630018		Dowel	2
22	02/630019		Pin	2



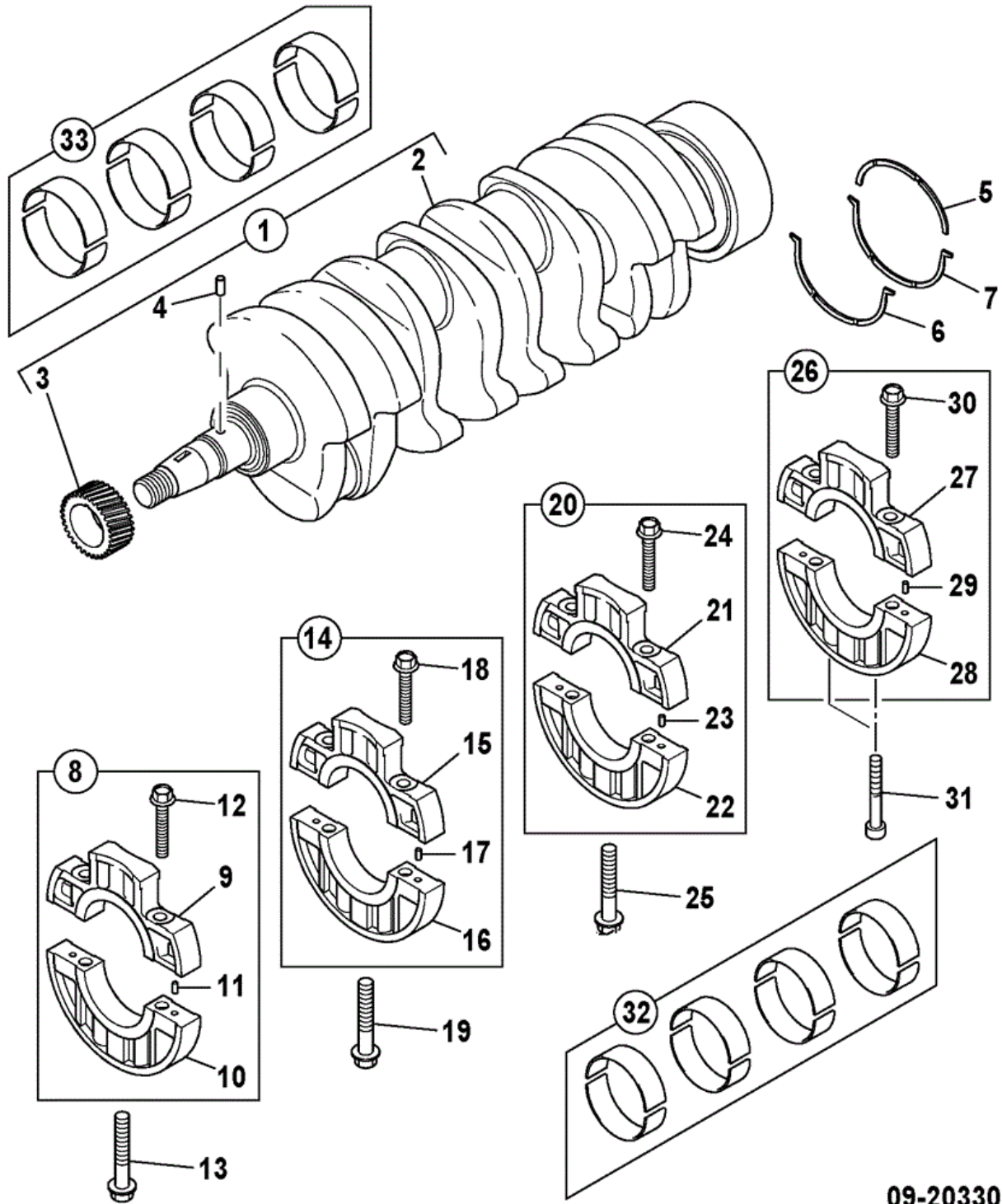
9822/0400 V120-2-1 CYLINDER BLOCK REAR END OIL SEAL



09-20350

Item	Part #	Change No	Description	Usage Code	QTY
1	02/634013		Seal rear oil		1
1.1	02/630877		Sleeve wear		1

JCB 9822/0400 V130-1-1 CRANKSHAFT ASSEMBLY



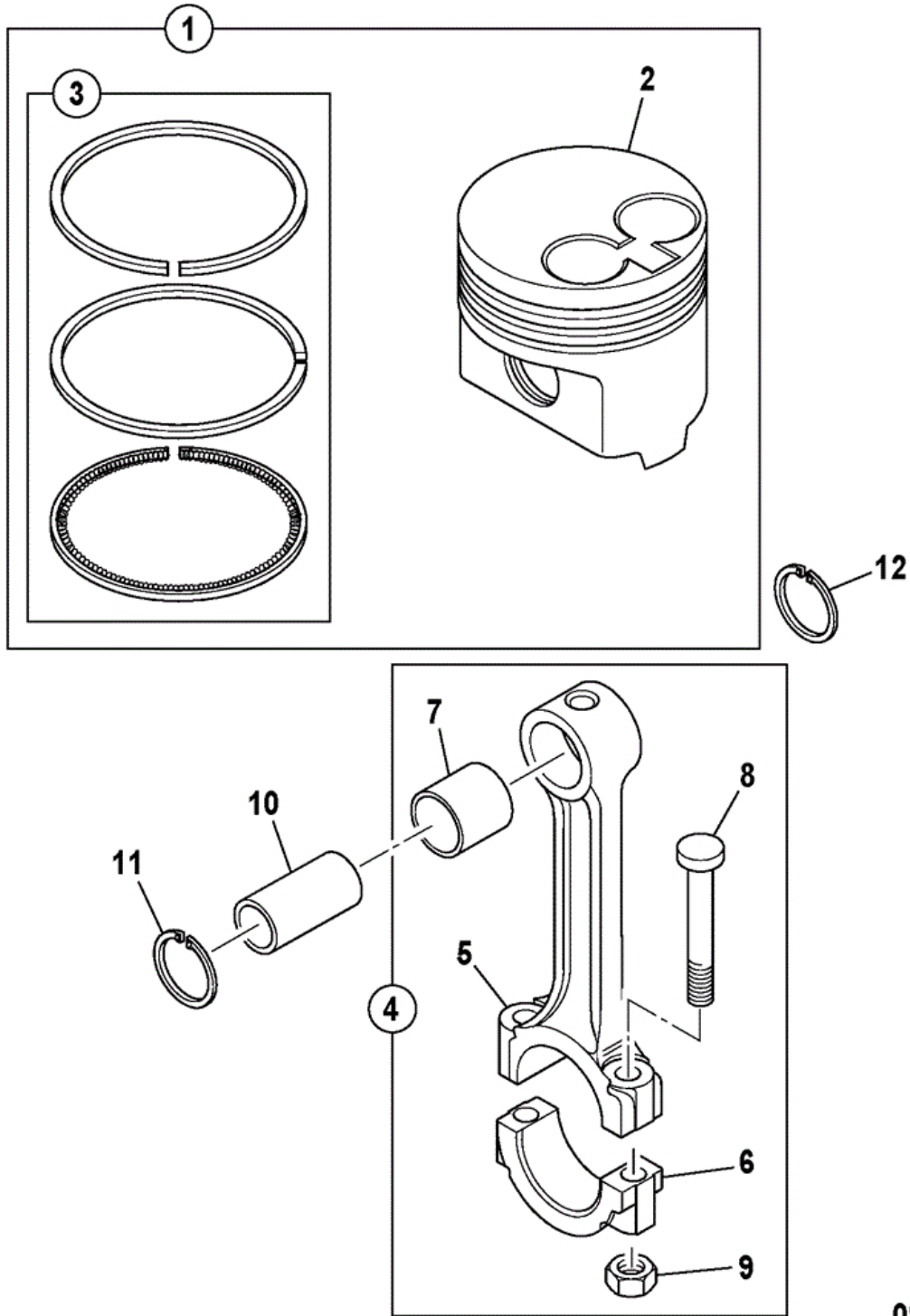
09-20330

Item	Part #	Change No	Description	Usage Code	QTY
1	02/634729		Crankshaft Assembly		1
2	****		None serviced part		1

3	:02/634956		Gear Crankshaft	1
4	:02/630042		Key	1
5	02/634021		Washer thrust	1
6	02/630723		Washer thrust	1
7	02/630723		Washer thrust	1
8	02/634004		Cap bearing assembly	1
9	****		None serviced part	1
10	****		None serviced part	1
11	:02/630024		Dowel	2
12	:02/634005		Screw	2
13	826/10744		Screw	1
14	02/634007		Cap bearing assembly	1
15	****		None serviced part	1
16	****		None serviced part	1
17	:02/630024		Dowel	2
18	:02/634005		Screw	2
19	826/10744		Screw	1
20	02/634008		Cap bearing assembly	1
21	****		None serviced part	1
22	****		None serviced part	1
23	:02/630024		Dowel	2
24	:02/634005		Screw	2
25	826/10744		Screw	1
26	02/634009		Cap bearing assembly	1
27	****		None serviced part	1
28	****		None serviced part	1
29	:02/630024		Dowel	2
30	:02/634005		Screw	2
31	826/10745		Screw	2
32	02/634781		Kit Main Bearing Std.	1
32	02/634782		Kit Main Bearing -0.25mm	1
33	02/634783		Kit Big End Bearing	1



9822/0400 V140-1-1 PISTON AND CONROD ASSEMBLIES

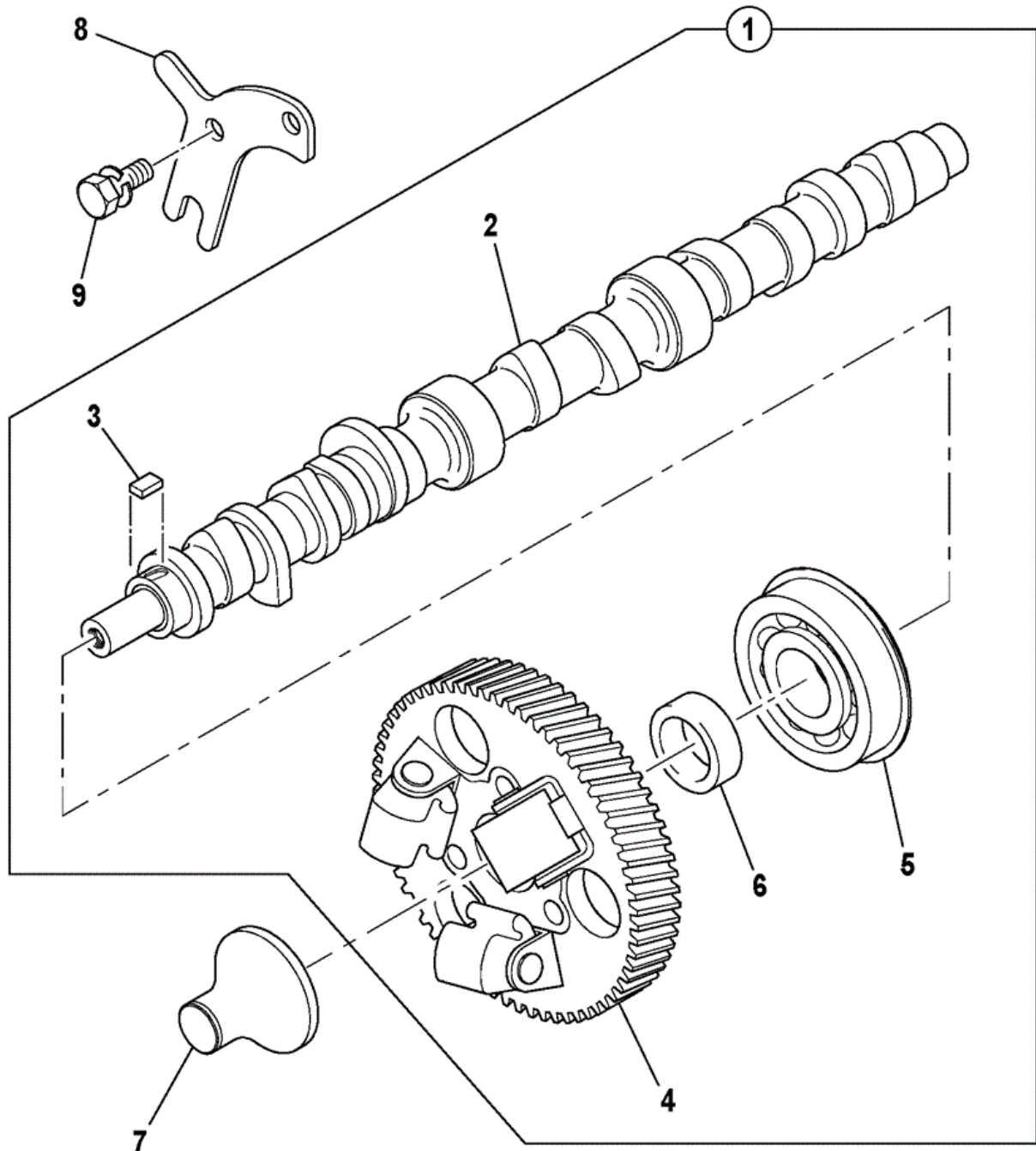


09-20340

Item	Part #	Change No	Description	Usage Code	QTY
1	02/634135		Piston assembly		4
2	****		None serviced part		1

3	02/634136		Kit-piston ring	1
4	02/634022		Conrod assembly	4
5	****		None serviced part	1
6	****		None serviced part	1
7	:02/630725		Bush small end	1
8	:02/630726		Screw	2
9	:02/630727		Nut	2
10	02/630731		Pin gudgeon	4
11	02/630732		Circlip	4
12	02/630732		Circlip	4

JCB 9822/0400 V150-1-1 CAMSHAFT ASSEMBLY



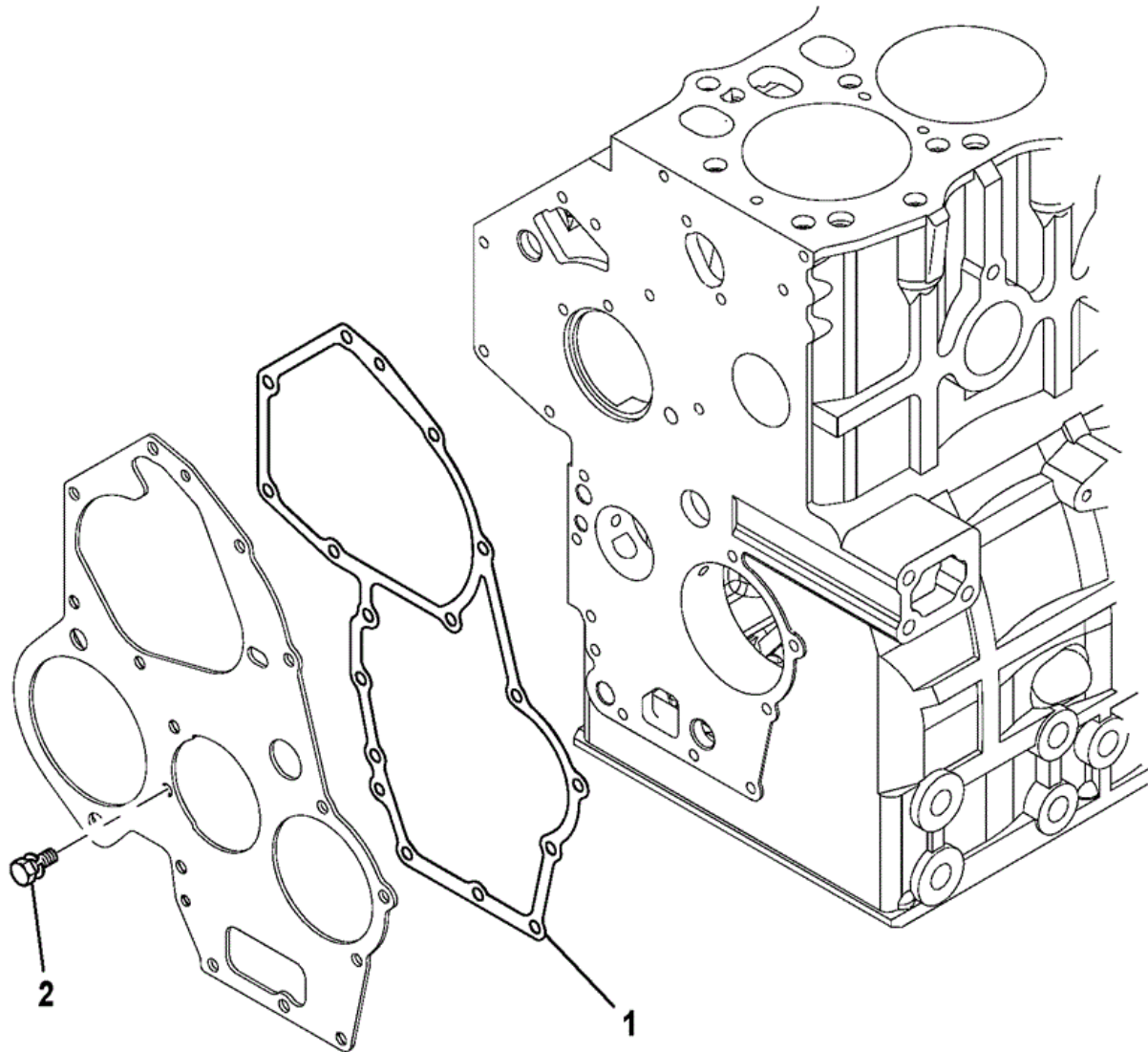
09-20490

Item	Part #	Change No	Description	Usage Code	QTY
1	02/634733		Camshaft Assembly		1
2	****		None serviced part		1

3	:02/630068		Key		1
4	:02/634732		Gear Camshaft		1
5	:02/634032		Bearing		1
6	:02/634210		Spacer		1
7	333/D4957		Tappet .		1
8	02/634087		Plate		1
9	02/630102		Screw		2



9822/0400 V160-1-1 TIMING CASE GASKET

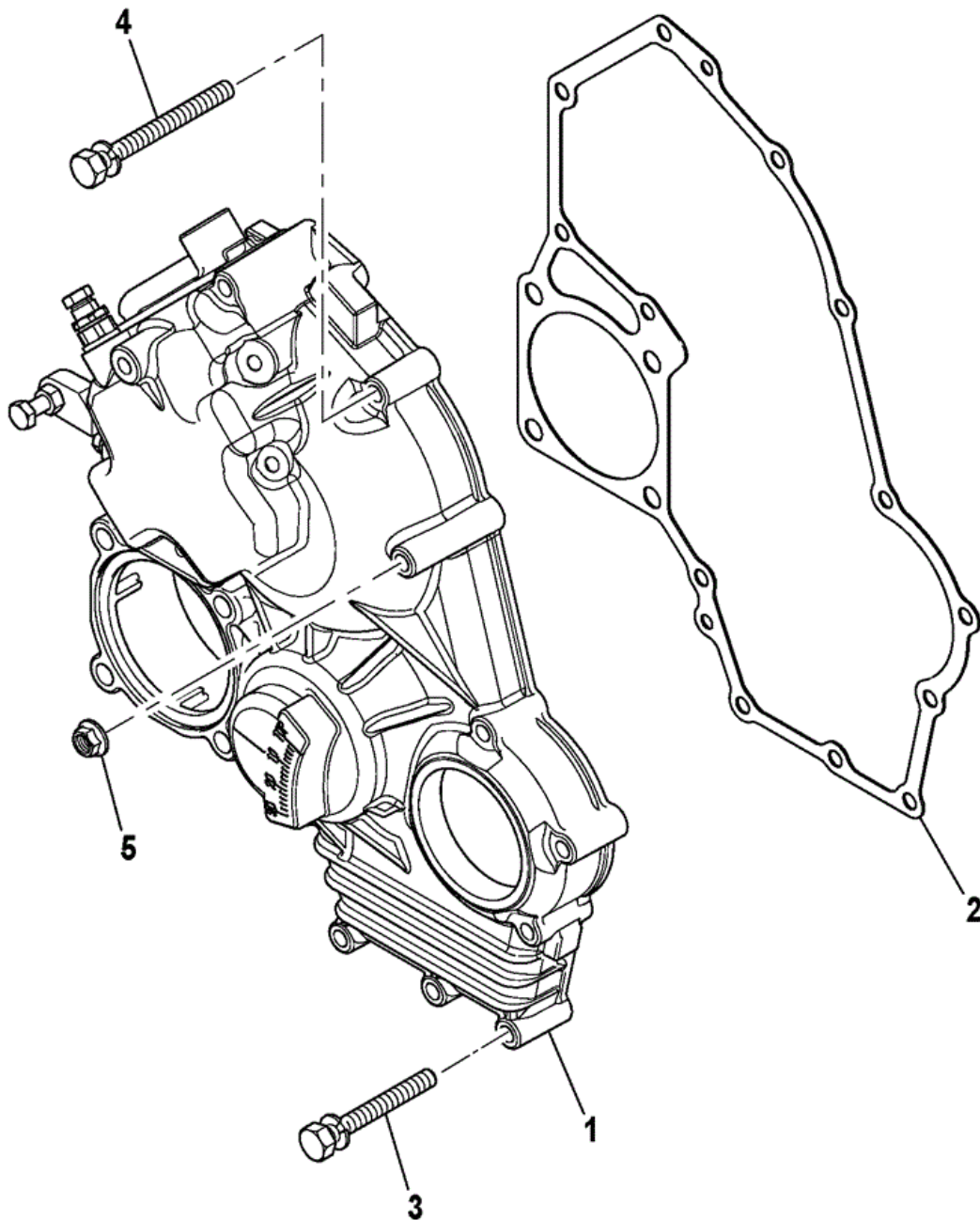


09-20320

Item	Part #	Change No	Description	Usage Code	QTY
1	02/634162		Gasket t/case to block		1
2	02/630102		Screw		2



9822/0400 V160-2-1 TIMING CASE FIXINGS AND GASKET



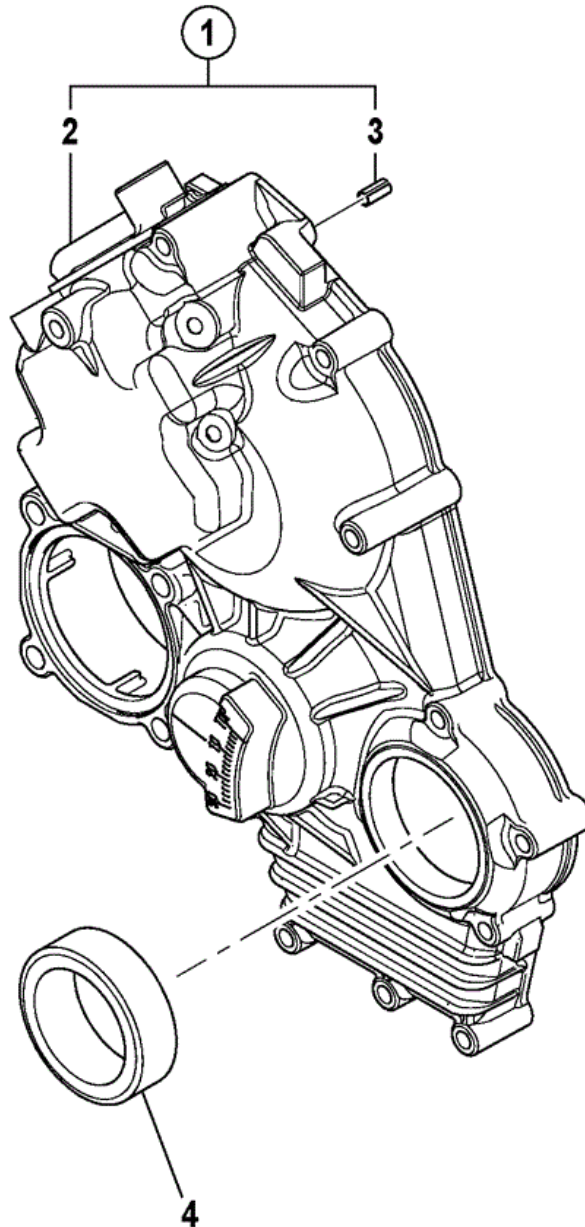
09-20430

Item	Part #	Change No	Description	Usage Code	QTY
1	333/D4954		Case timing		1
2	02/634769		Gasket Timing Case		1

3	826/10777		Screw		7
4	826/10729		Screw		4
5	332/G4963		Nut .		1



9822/0400 V160-3-1 TIMING CASE AND FRONT OIL SEAL



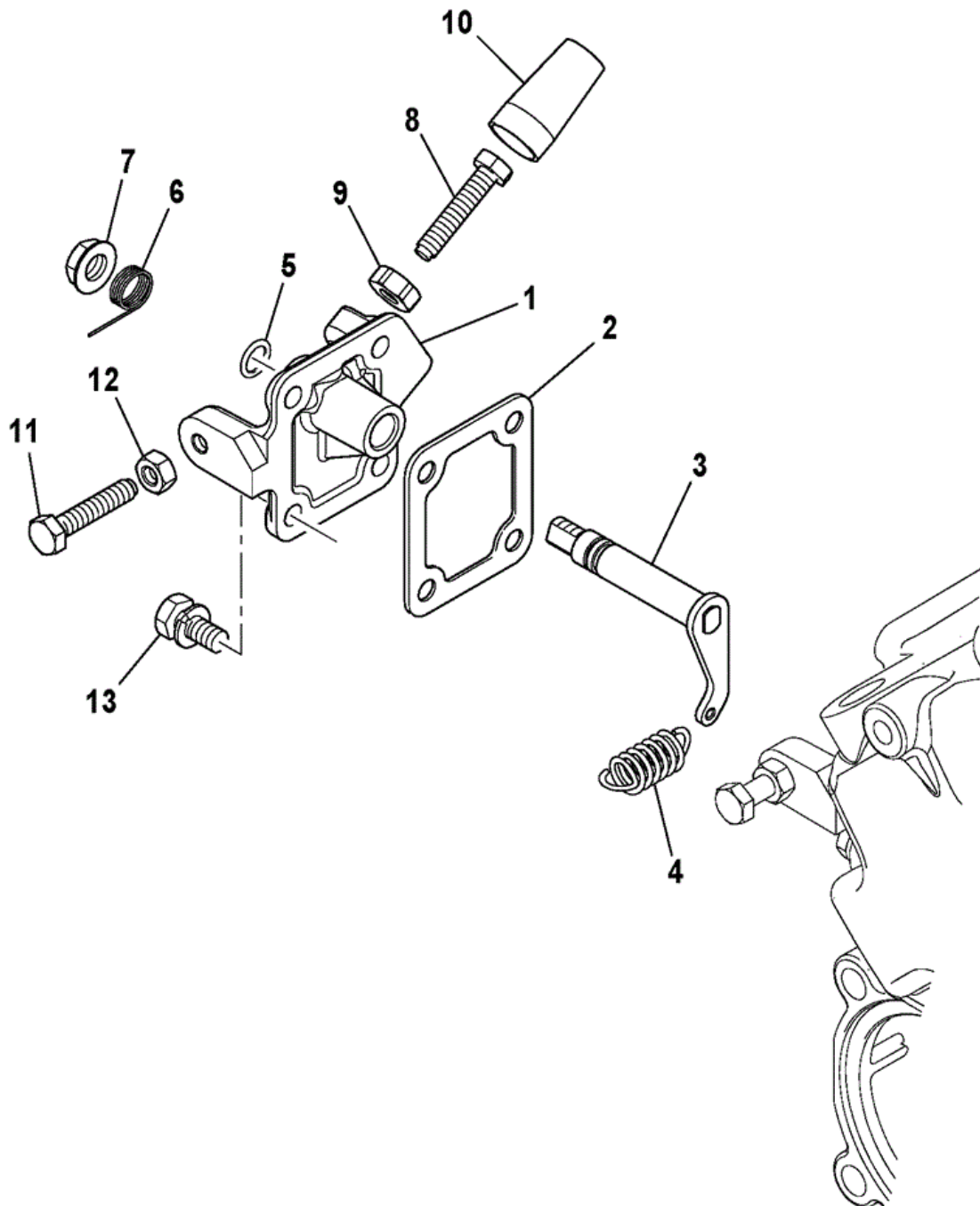
09-20790

Item	Part #	Change No	Description	Usage Code	QTY
1	333/D4954		Case timing		1
2	****		None serviced part		1

3	:02/630089		Pin		1
4	02/630763		Seal front oil		1



9822/0400 V160-4-1 GOVENOR ASSEMBLY



09-20450

Item	Part #	Change No	Description	Usage Code	QTY
1	332/G4931		Bracket .		1
2	02/634770		Gasket .		1

Thank you so much for reading.
Please click the “Buy Now!”
button below to download the
complete manual.



After you pay.

You can download the most
perfect and complete manual in
the world immediately.

Our support email:

ebooklibonline@outlook.com