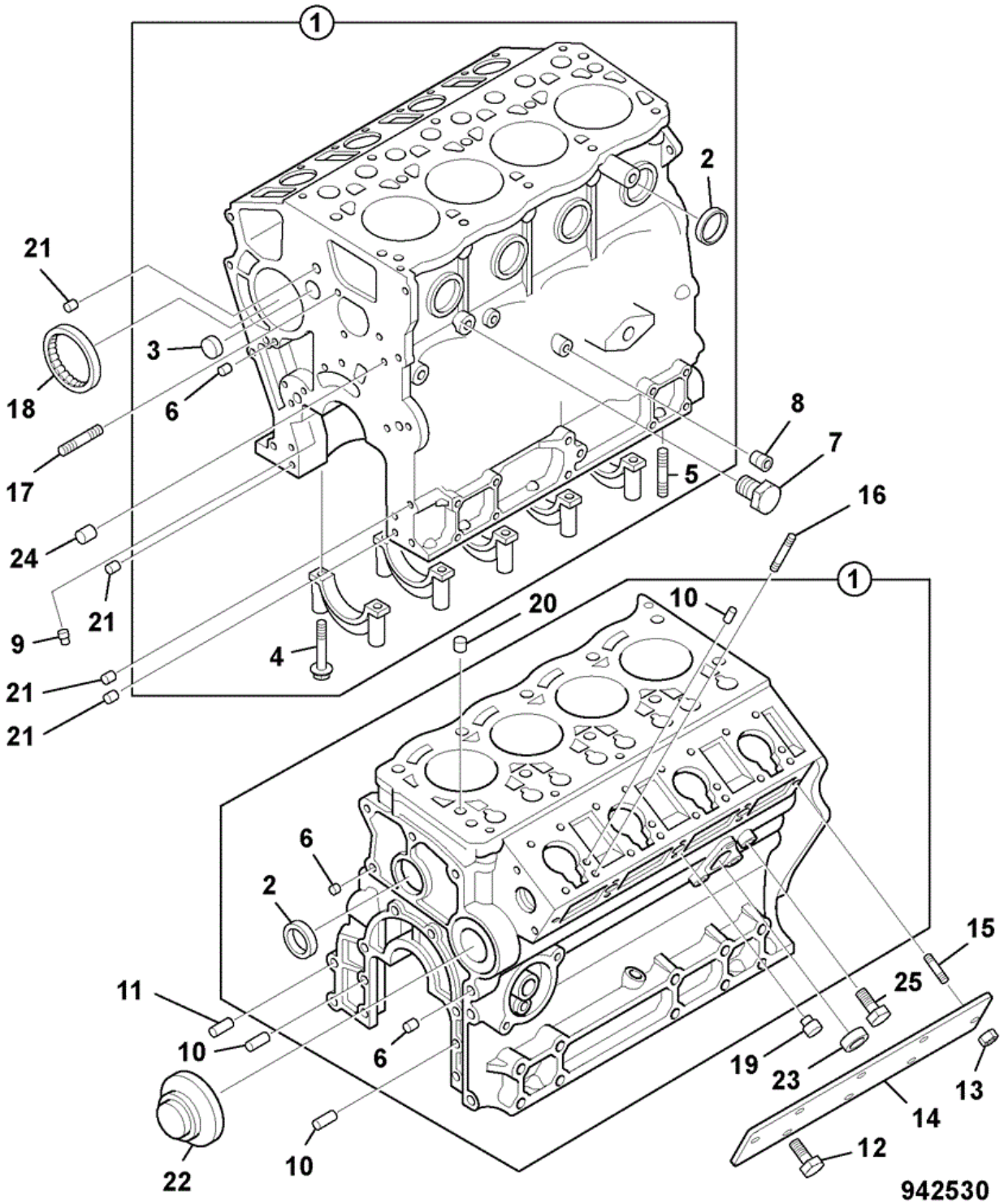




# 9822/0445 V120-1-1 CYLINDER BLOCK

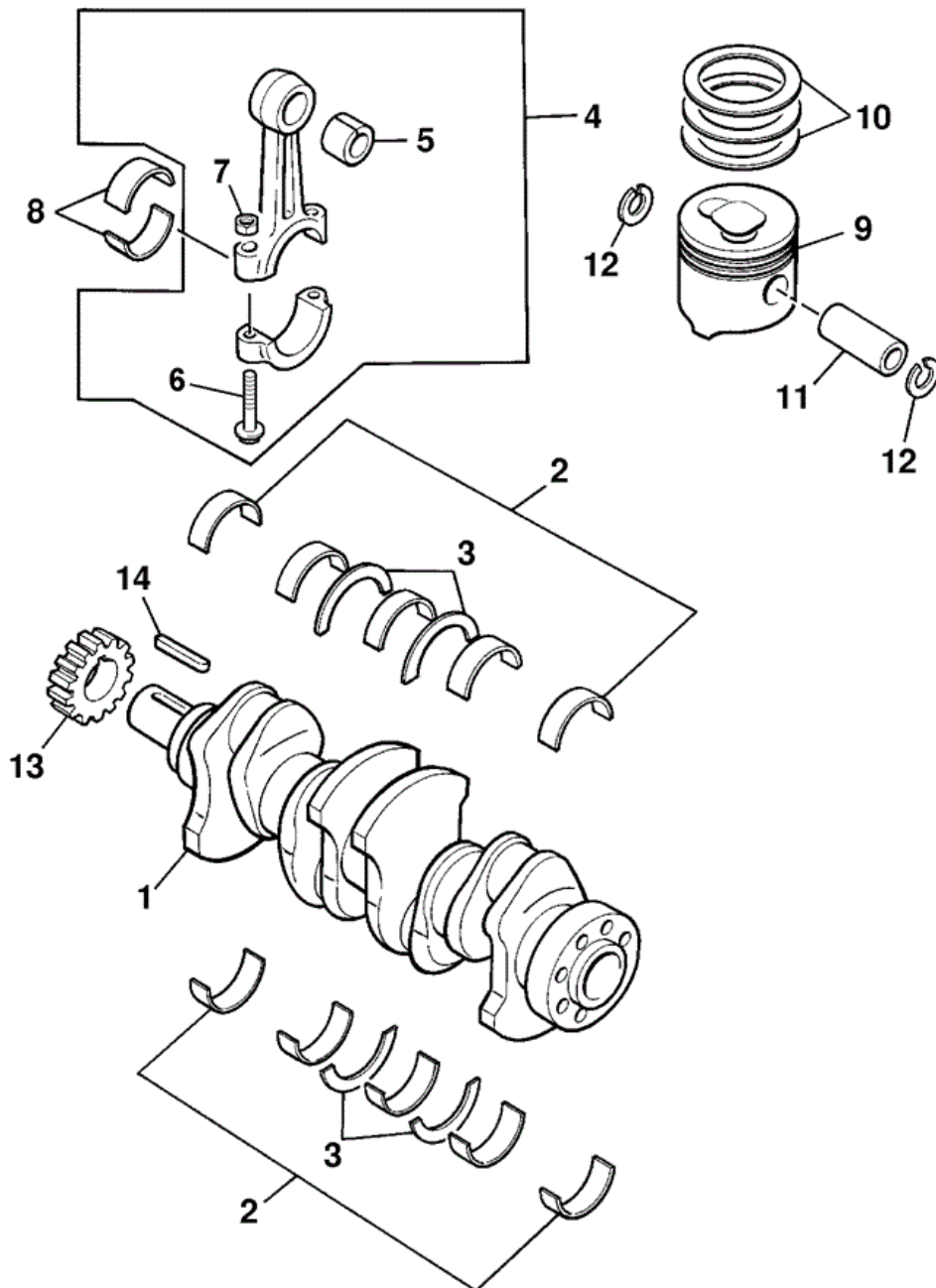


Item	Part #	Change No	Description	Usage Code	QTY
1	02/803068		Cylinder Block Assy.		1
2	:02/802842		Cap o/d = 35mm		5
3	:02/800879		Plug O/D = 22mm		1

4	:02/802837		Bolt M11x83	10
5	:02/802518		Stud M6x20	4
6	:5096000130		Plug D=12	6
7	02/800019		Plug water drain, PT 1/4	1
8	1096050190		Plug PT 1/4	1
9	02/803127		Plug PT 1/8	1
10	02/803122		Pin 6ODx16	6
11	9081508160		Pin	2
12	02/802536		Bolt M6x12	4
13	02/802996		Nut M6	4
14	02/802916		Cover .	1
15	02/802965		Stud M6x25	3
15	02/802966		Stud M6x27	1
16	02/802780		Stud .	8
17	02/802964		Stud M8x50	1
18	02/803053		Bearing Needle	1
19	02/802874		Pin .	2
20	02/802839		Dowel 15.25 OD	2
21	02/800321		Pin 11ODx8	4
22	02/802883		Plug .	1
23	02/801791		Plug O/D = 32	1
24	5096000130		Plug D=12	1
25	N/A		Not applicable not available	1
26	9095714140		Washer seal	1



## 9822/0445 V130-1-1 CRANKSHAFT PISTONS & CON-RODS



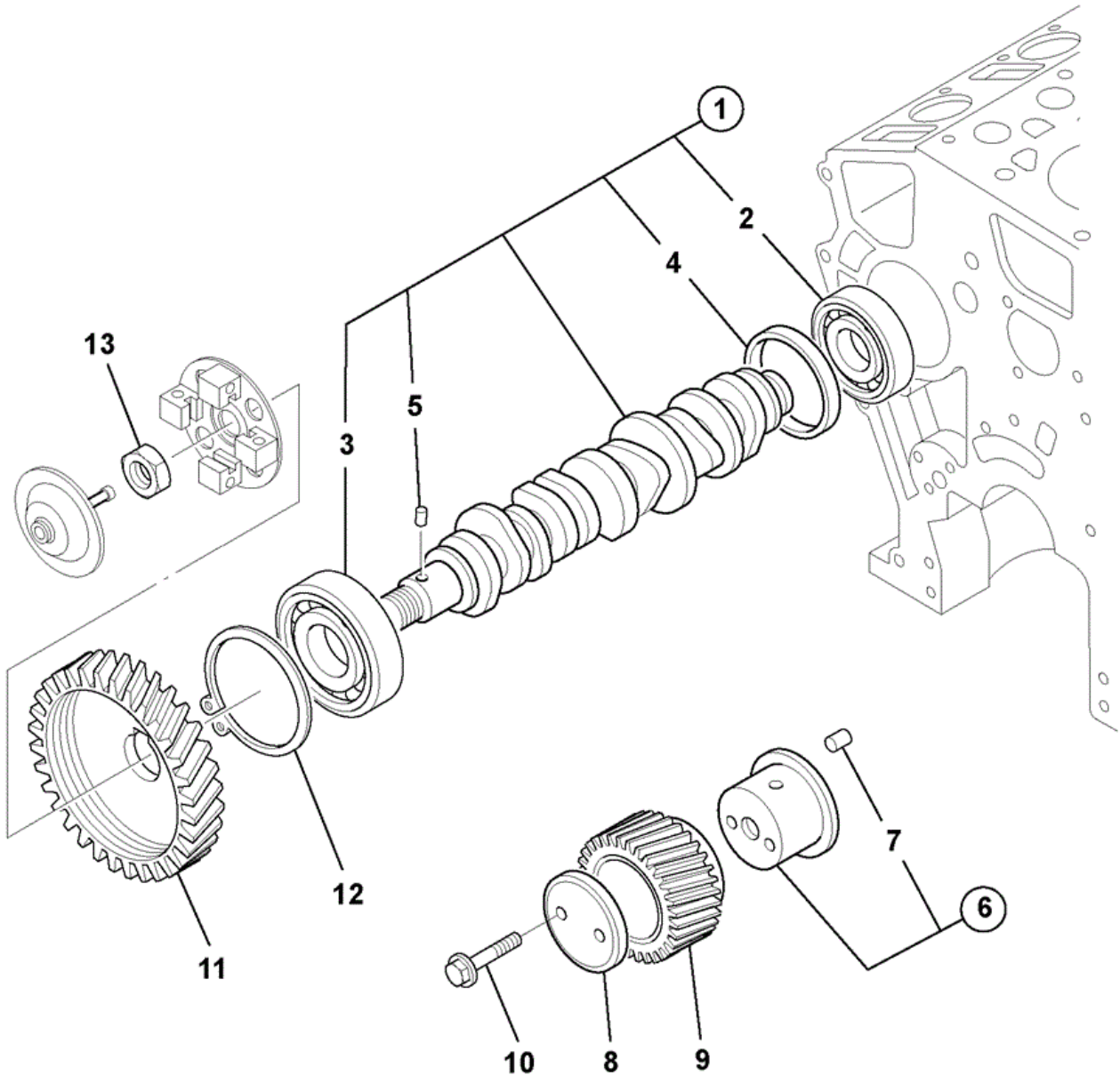
358182

Item	Part #	Change No	Description	Usage Code	QTY
1	02/803055		Crankshaft .		1
2	02/803140		Kit Bearings, Crankshaft standard		1
3	332/F3365		Washer thrust		2

4	02/803067		Rod Assy.		4
5	:02/803054		Bush .		1
6	:02/803033		Bolt conrod 3/8-24 UNF x 53 lg		2
7	02/802854		Nut conrod 3/8-24 UNF		2
8	02/803141		Kit Bearing Pair, Conrod standard		4
9	02/803098		Piston Std.		4
9	02/803099		Piston +0.25		4
10	02/803112		Kit Piston Ring Std.		4
10	02/803113		Kit Piston Ring +0.25		4
11	02/802805		Pin .		4
12	02/802852		Circlip .		8
13	02/802994		Gear		1
14	02/800901		Key woodruff		1



## 9822/0445 V150-1-1 CAMSHAFT AND TIMING GEAR



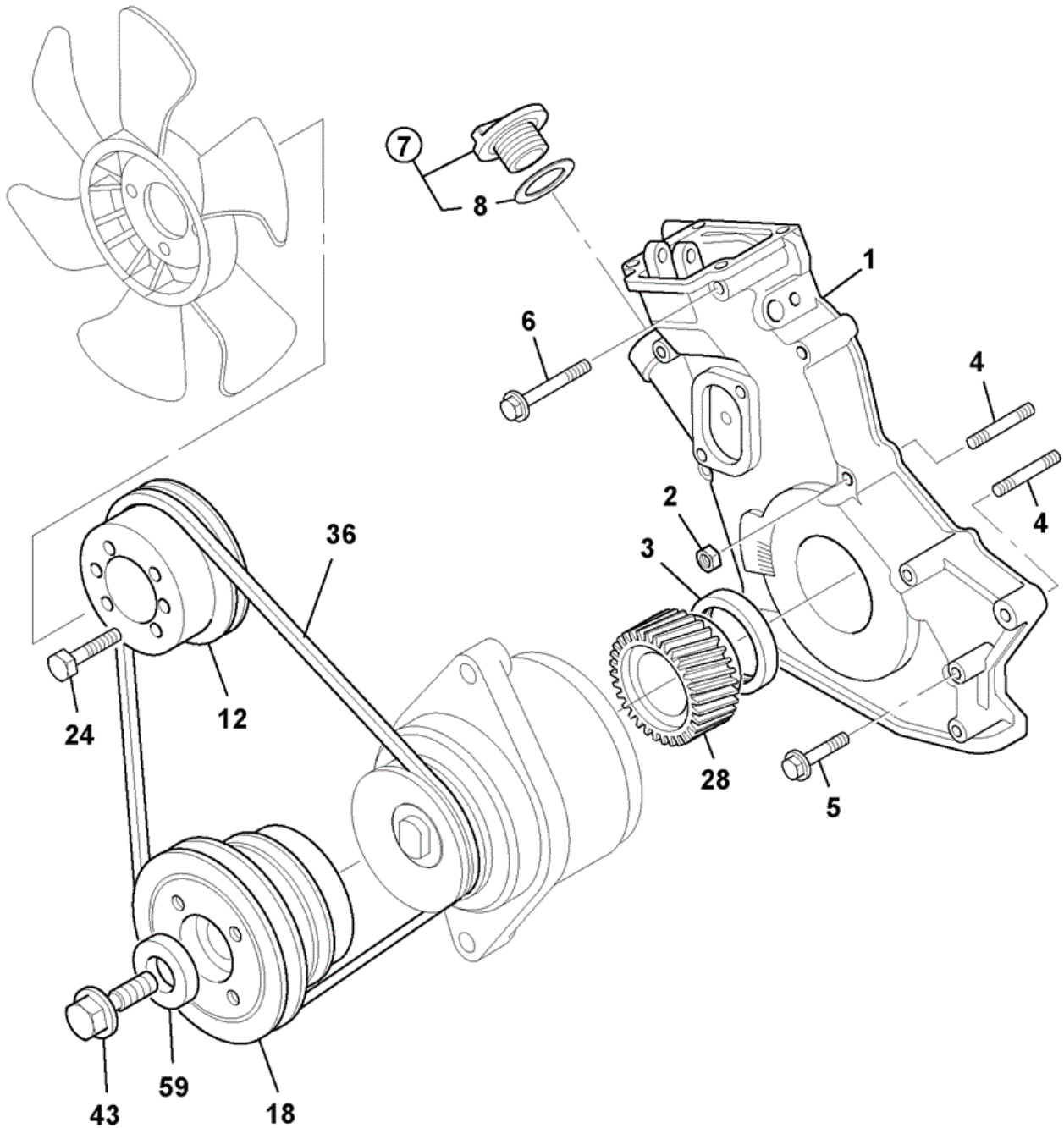
942570

Item	Part #	Change No	Description	Usage Code	QTY
1	02/803081		Camshaft .		1
2	:02/803116		Bearing .		1
3	:02/803115		Bearing .		1

4	:02/802886		Ring .	1
5	:9098786260		Pin 5ODx6	1
6	02/802891		Shaft .	1
7	:9081605100		Pin thrust 5ODx10	1
8	02/802808		Collar .	1
9	02/802954		Gear .	1
10	02/802760		Bolt M8x60	2
11	02/802985		Gear .	1
12	9091801620		Ring snap	1
13	02/802977		Nut .	1



## 9822/0445 V160-1-1 TIMING CASE AND FRONT END DRIVE



942540

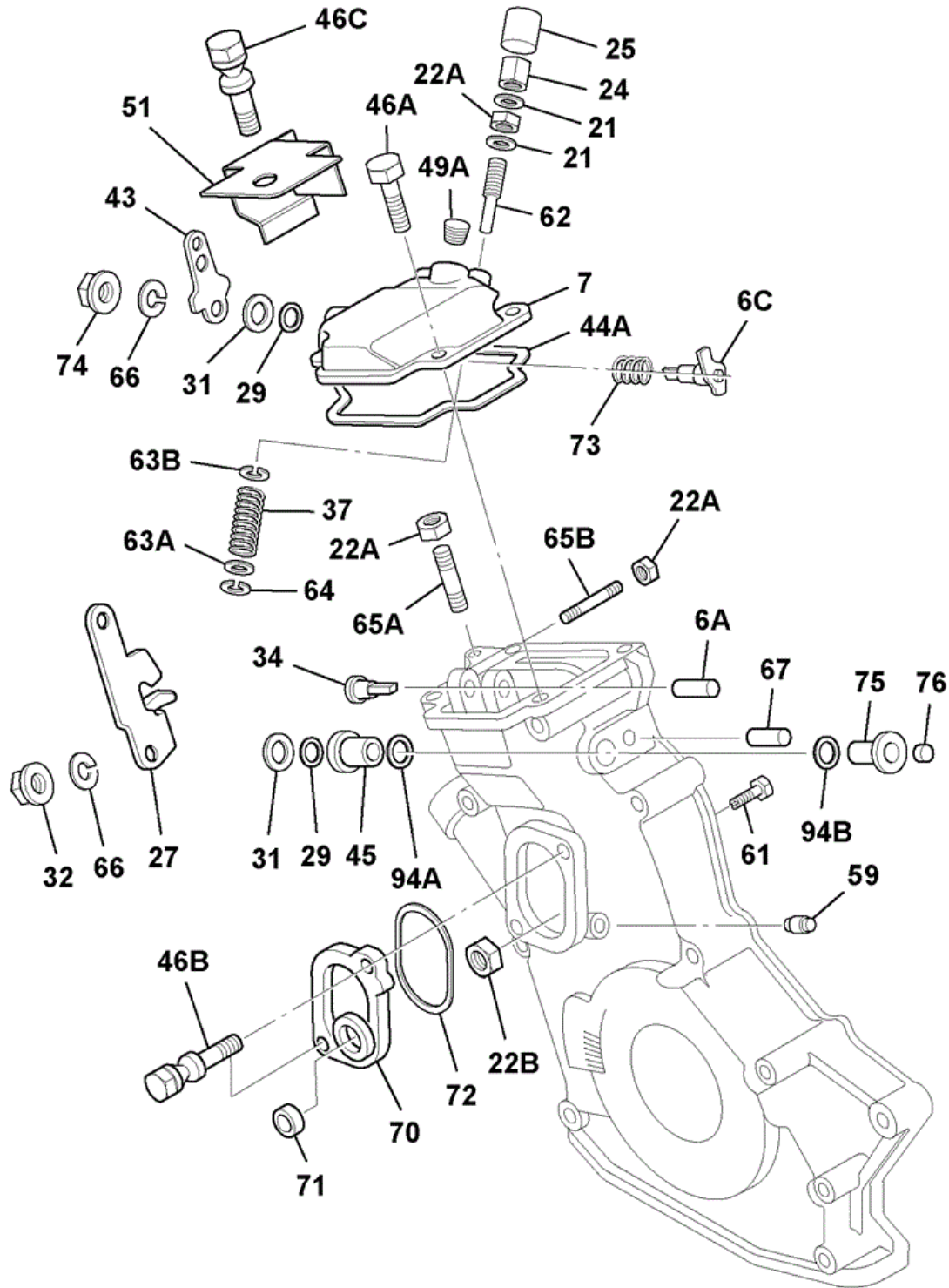
Item	Part #	Change No	Description	Usage Code	QTY
1	02/802978		Casing .		1
2	02/802388		Nut cover M8		2
3	02/802497		Seal oil crankshaft front		1

4	02/802768		Stud .	1
4	02/802964		Stud M8x50	1
5	02/802393		Bolt M8x60	6
6	02/802534		Bolt M8 x 80	2
7	02/802744		Cap Oil Filler	1
8	02/800399		Seal	1
12	****		T.B.A	1
12A	1315/0203D		Setscrew M6 x 16mm	4
12B	1420/0006D		Washer (M6)	4
18	02/803086		Pulley .	1
24	0208006120		Bolt M6x12	2
28	02/802994		Gear	1
36	332/S5847		Belt drive belt	1
43	02/802855		Bolt M14x34	1
59	02/802832		Washer .	1





## 9822/0445 V160-2-1 TIMING CASE COVERS



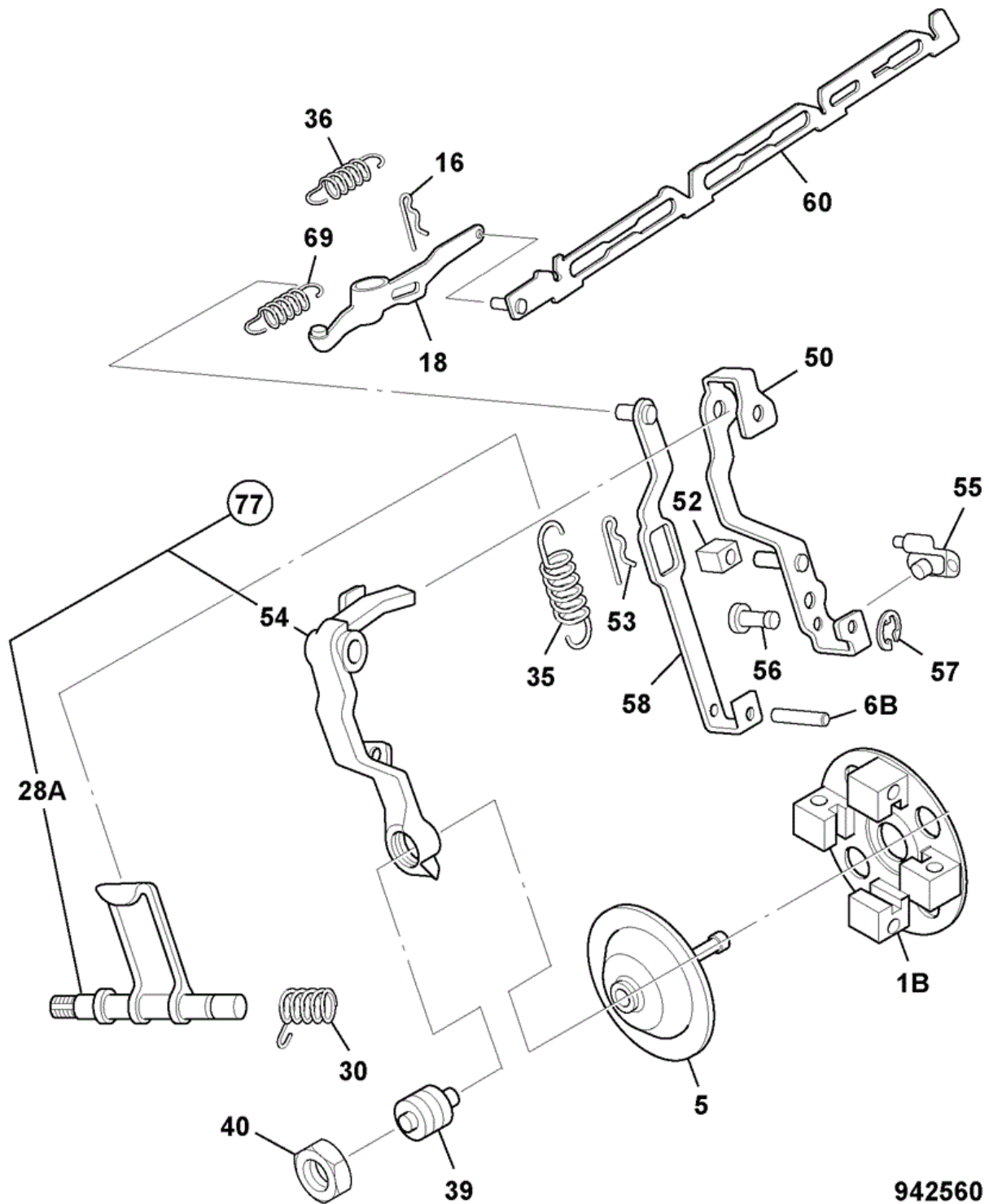
942550

Item	Part #	Change No	Description	Usage Code	QTY
6A	02/803124		Shaft .		1
6C	02/802865		Shaft .		1
7	02/802934		Cover .		1

7	02/803110		Cover .	1
21	02/802794		Gasket . <i>See N8-1-1</i>	2
22A	02/803132		Nut .	3
22B	02/802519		Nut M6	1
24	02/802793		Nut .	1
25	02/802813		Cap .	1
27	02/802885		Lever .	1
29	02/802781		Gasket . <i>See N8-1-1</i>	2
31	02/802795		Washer .	2
32	02/802733		Nut M8	1
34	02/802814		Eye-end .	1
37	02/802937		Spring .	1
43	02/802979		Lever .	1
44A	02/802887		Gasket . <i>See N8-1-1</i>	1
45	02/802968		Bush .	1
46A	02/802549		Bolt M6 x 20	3
46B	02/802922		Bolt M6x16	2
46C	02/802923		Bolt M6x22	1
49A	1096050190		Plug PT 1/4	1
51	02/802998		Cover	1
59	02/803006		Plug .	1
61	02/802876		Screw .	1
62	02/802864		Screw .	1
63A	02/803125		Washer .	1
63B	02/803126		Washer .	1
64	02/802776		Ring Snap	1
65A	02/802791		Screw .	1
65B	02/802848		Screw .	1
66	02/802772		Washer .	2
67	02/803119		Pin .	1
70	02/802986		Cover .	1
71	5111290060		Plug sealing, D=16	1
72	02/802949		Gasket . <i>See N8-1-1</i>	1
73	02/802875		Spring .	1
74	02/802733		Nut M8	1
75	02/802967		Bush .	1
76	02/802858		Cap .	1
94A	02/803128		Gasket . <i>See N8-1-1</i>	1
94B	02/803129		Gasket . <i>See N8-1-1</i>	1



## 9822/0445 V160-3-1 TIMING CASE GOVERNOR



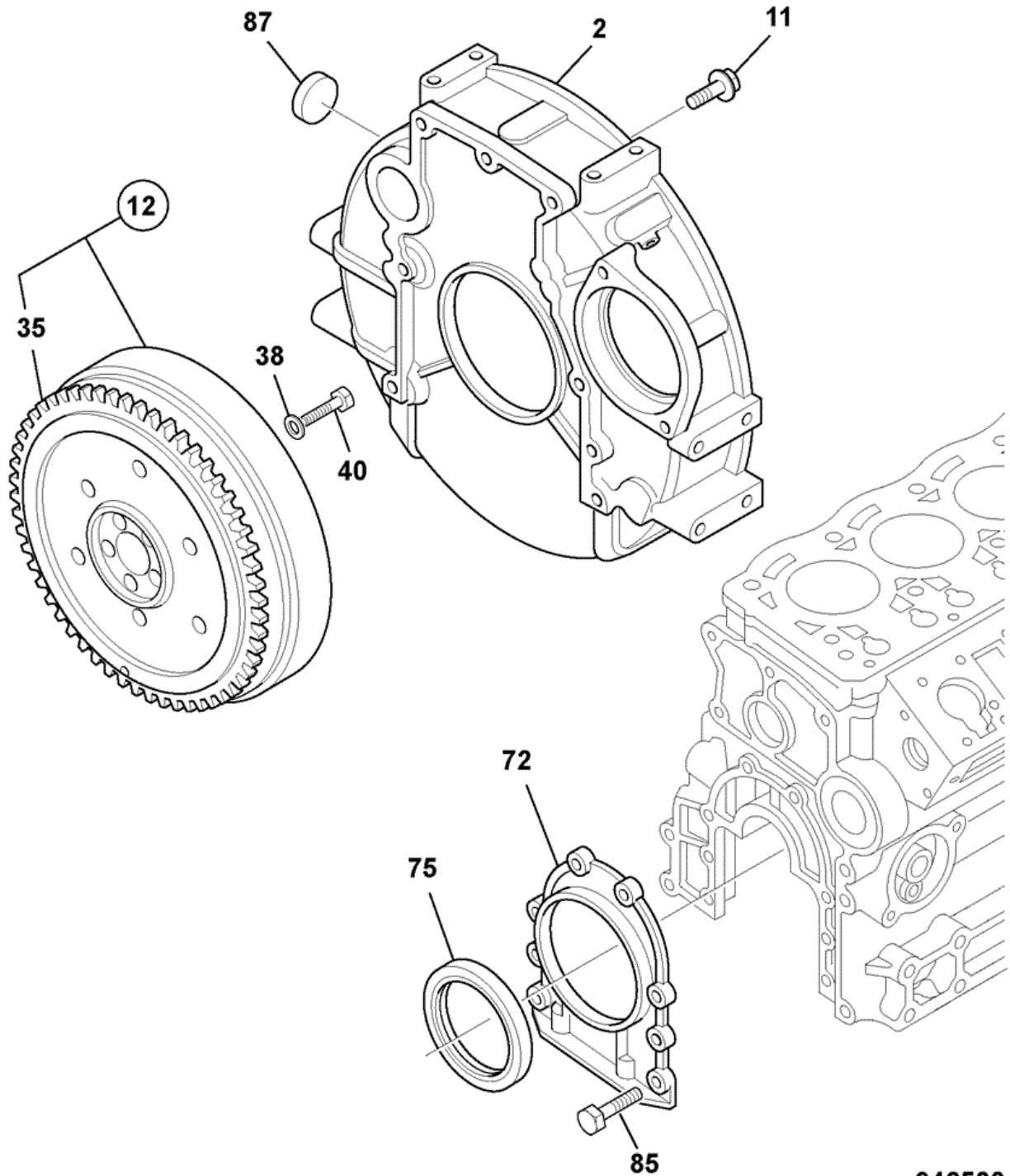
942560

Item	Part #	Change No	Description	Usage Code	QTY
1B	02/803101		Weight Governor		1
5	02/802929		Sleeve .		1
6B	02/803121		Shaft .		1

16	02/802786		Pin .	1
18	02/802933		Plate .	1
28A	02/802872		Lever .	1
30	02/802984		Spring .	1
35	02/802892		Spring .	1
36	02/803041		Spring .	1
39	N/A		Not applicable not available	1
40	N/A		Not applicable not available	1
50	02/802980		Lever .	1
52	02/802982		Guide .	1
53	02/802786		Pin .	1
54	02/802871		Lever .	1
55	02/803143		Pivot Bracket	1
56	02/802983		Shaft .	1
57	02/802777		Ring Snap	1
58	02/802981		Lever .	1
60	02/803046		Link .	1
69	02/802897		Spring Set	1
77	NLA		No Longer Available	1



# 9822/0445 V180-1-1 FLYWHEEL HOUSING AND REAR OIL SEAL



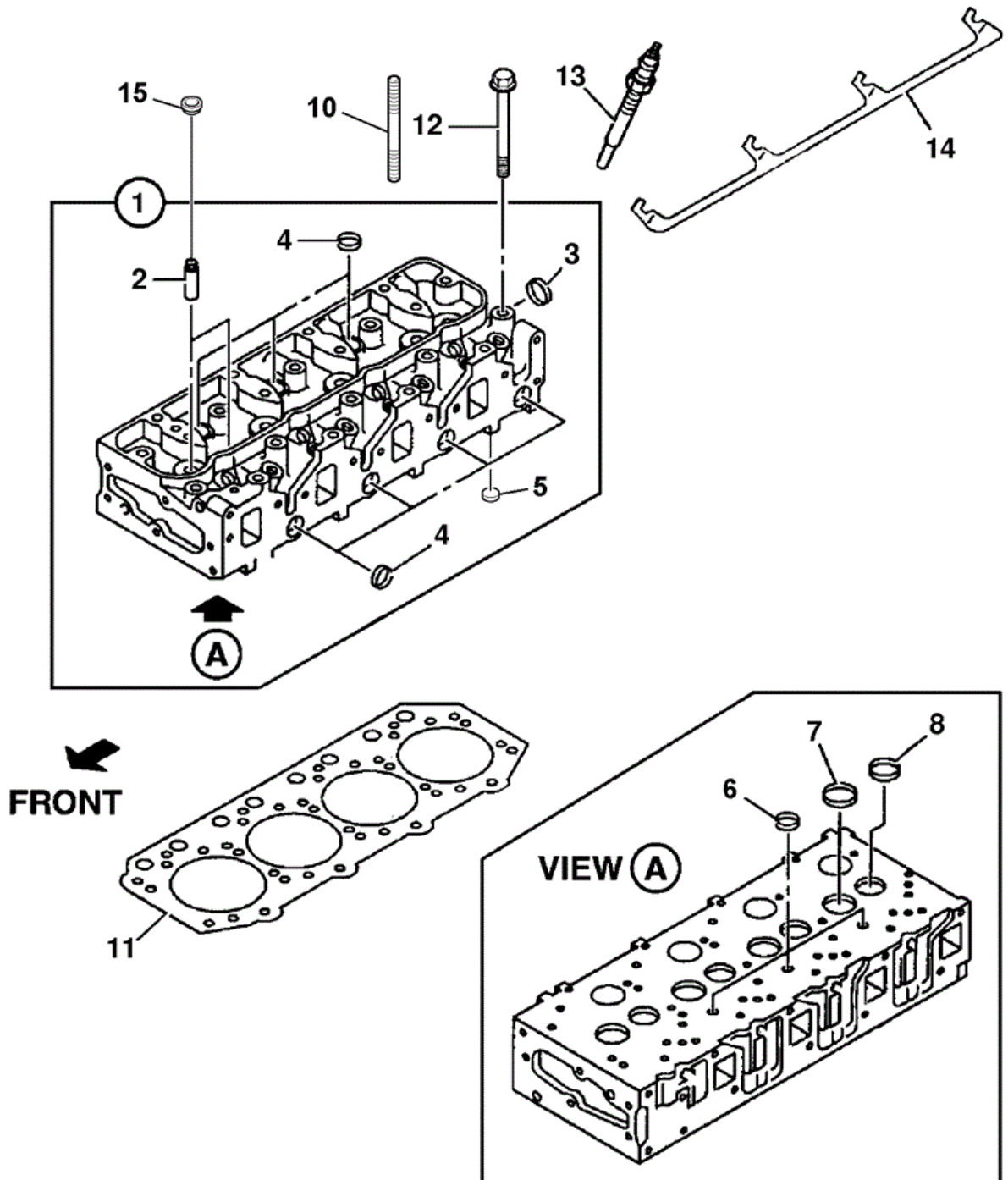
942580

Item	Part #	Change No	Description	Usage Code	QTY
2	02/803080		Housing .		1

11	02/802126		Bolt M10x25		6
12	02/803030		Flywheel . <i>Supplied with 38</i>		1
35	02/803083		Ring Gear		1
38	02/802867		Washer .		6
40	02/802829		Bolt M12x32		6
72	02/802953		Retainer .		1
75	02/802799		Seal oil crankshaft rear <i>See N8-1-1(8065) N8-11-1(8055)</i>		1
85	02/802549		Bolt M6 x 20		8
87	02/802503		Cover		2



## 9822/0445 V210-1-1 CYLINDER HEAD



358131

Item	Part #	Change No	Description	Usage Code	QTY
1	02/803064		Cylinder Head Assy.		1
2	:02/802868		Guide .		8
3	:02/801369		Plug Plug core O/D = 45MM		1

Thank you so much for reading.  
Please click the “Buy Now!”  
button below to download the  
complete manual.



After you pay.

You can download the most  
perfect and complete manual in  
the world immediately.

Our support email:

[ebooklibonline@outlook.com](mailto:ebooklibonline@outlook.com)