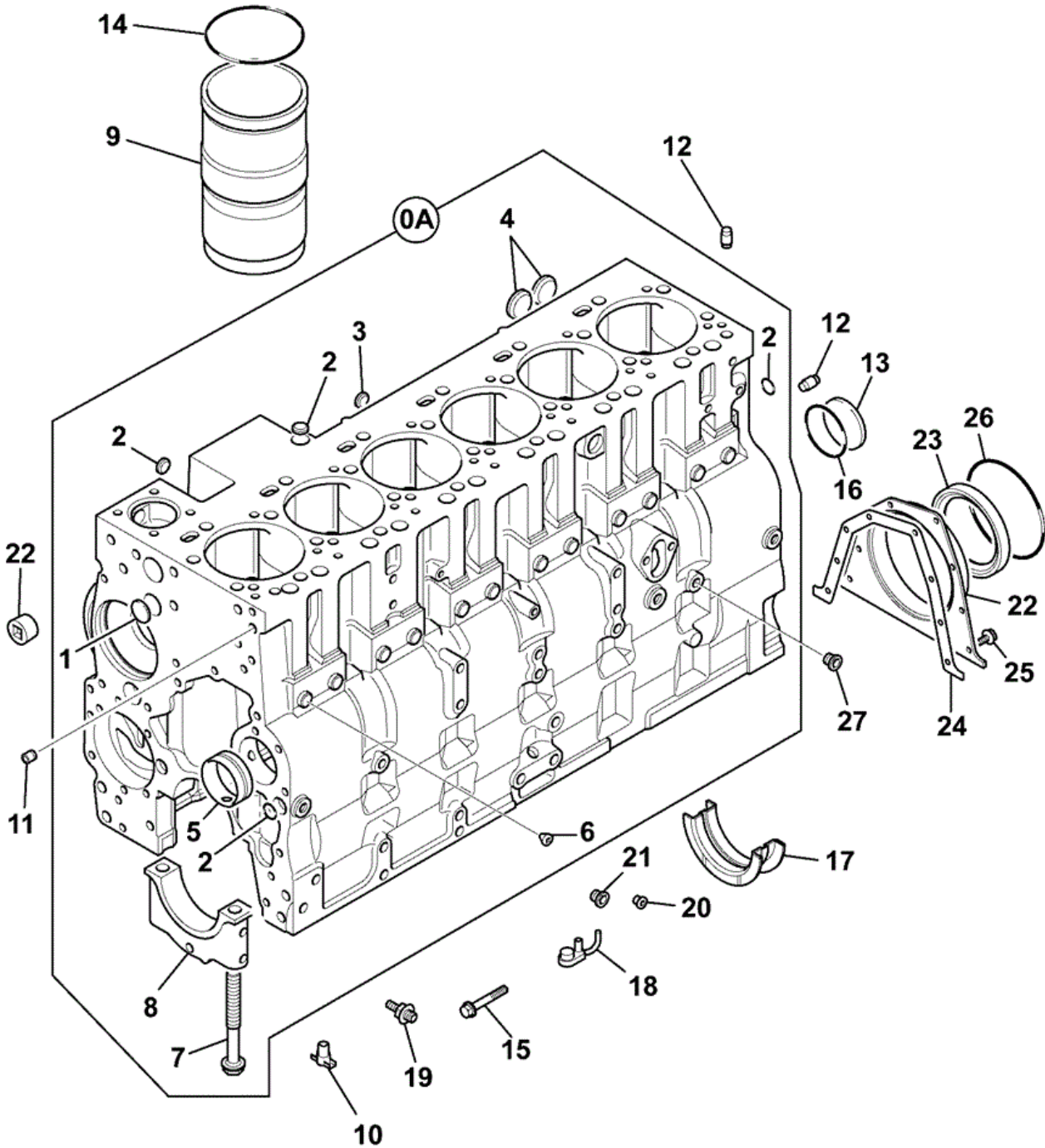




9802/6760 U1-3-1 BLOCK ASSEMBLY

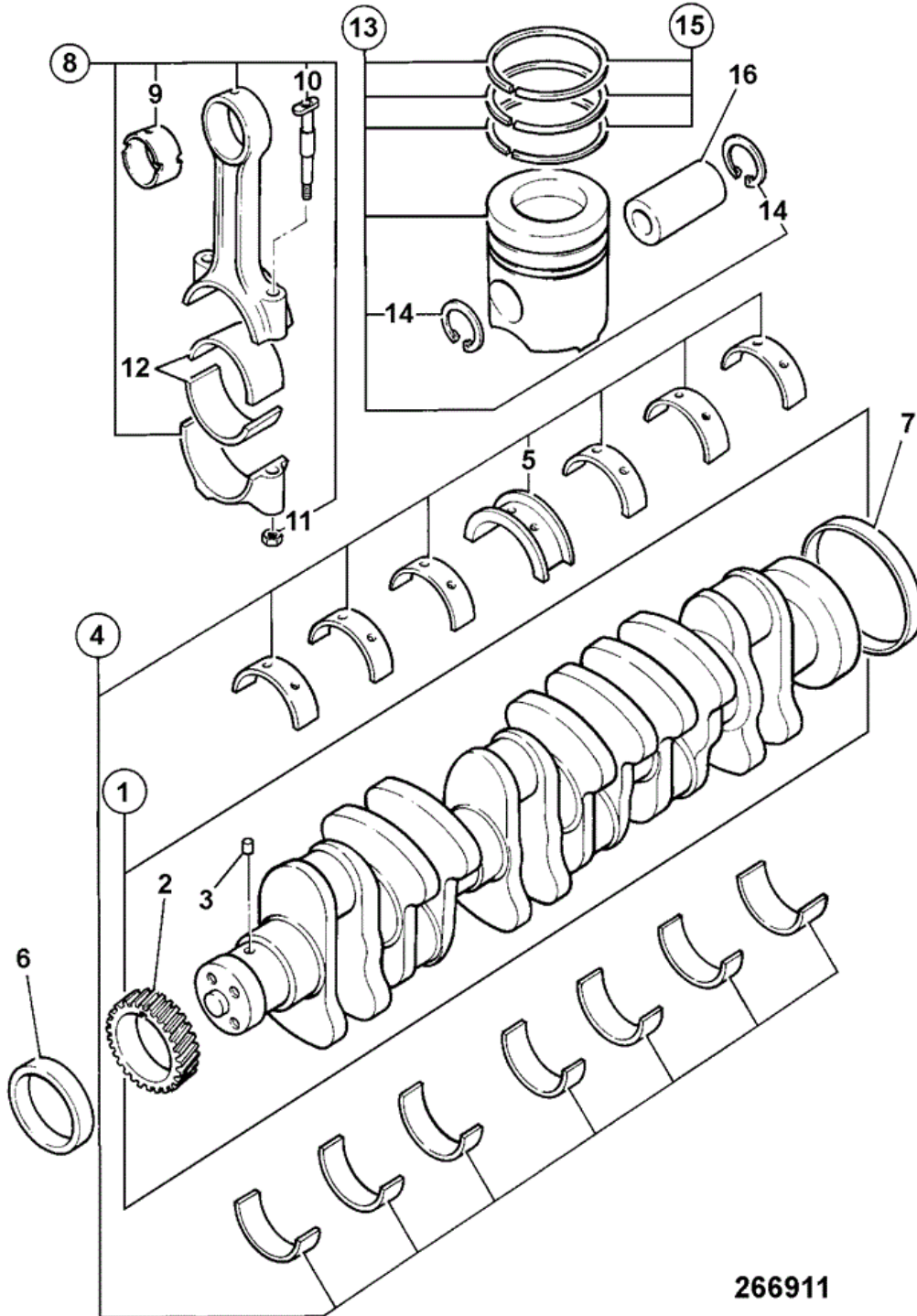


874371

Item	Part #	Change No	Description	Usage Code	QTY
A	02/912556		Block cylinder head assembly		1
1	:02/910501		Plug		3
2	:02/910502		Plug		4

3	:02/910008		Plug Expansion 17.73mm	3
4	:02/910783		Plug expansion	4
5	:02/910504		Bush camshaft	7
6	:02/912557		Guide tappet	12
7	:02/912051		Screw	14
8	:02/912052		Cap main bearing	7
9	02/910490		Kit-cylinder liner	6
10	02/910784		Tap drain	1
11	02/910014		Dowel Pin	2
12	02/910512		Pin dowel	4
13	02/910513		Plug	1
14	02/910516		Seal	6
15	02/912054		Screw	6
16	02/911228		Seal O Ring	1
17	02/911195		Bearing thrust standard	1
18	02/912580		Nozzle piston cooling	6
19	02/911703		Screw	1
20	02/910066		Plug pipe 3/4"NPT	2
21	02/911582		Orifice fitting	1
22	02/912561		Cover rear oilseal	1
23	02/912056		Kit-seal rear oil	3
24	02/910549		Gasket rear oil seal cover	1
25	02/911454		Screw flange head 10.9	8
26	02/910028		Seal Rectangular Ring	1
27	02/911216		Plug expansion	2

JCB 9802/6760 U1-4-1 CRANKSHAFT, BEARINGS PISTONS &
CON-RODS

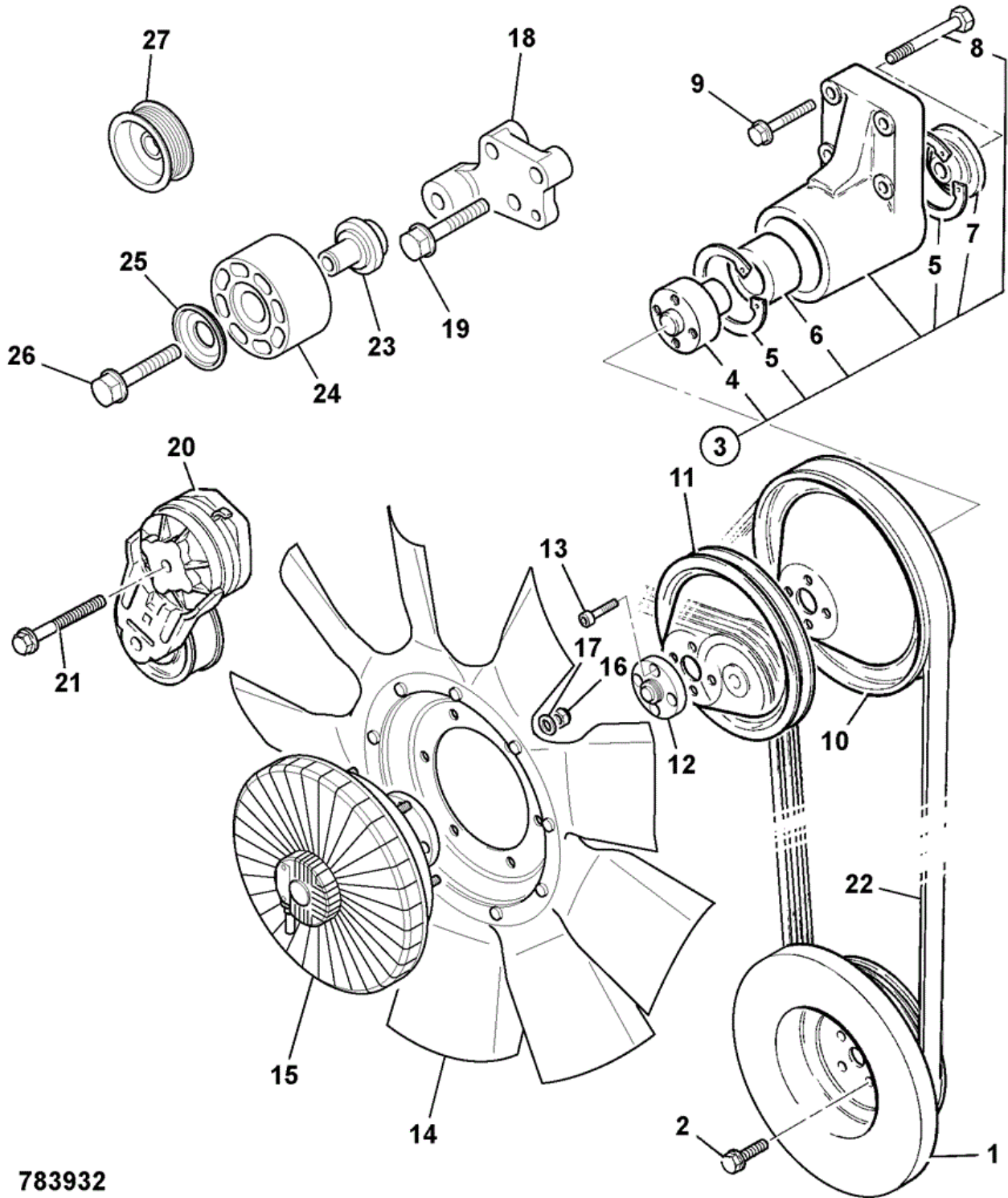


Item	Part #	Change No	Description	Usage Code	QTY
1	02/912058		Crankshaft assembly		1

2	:02/910521	Gear crankshaft	1
3	:02/910039	Dowel pin	1
4	02/911190	Kit-main bearing standard	1
4	02/911191	Kit-main bearing oversize - .010 inch/0.25mm	0
4	02/911192	Kit-main bearing oversize - .020 inch/0.50mm	0
4	02/911193	Kit-main bearing oversize - .030 inch/0.75mm	0
4	02/911194	Kit-main bearing oversize - .040 inch/1.00mm	0
5	:02/911196	Bearing thrust oversize - 0.010inch	0
5	:02/911197	Bearing thrust oversize - 0.020inch	0
5	:02/911198	Bearing thrust oversize - 0.030inch	0
5	:02/911199	Bearing thrust oversize - 0.040inch	0
5	02/911913	Bearing-thrust	0
5	02/911914	Bearing-thrust	0
5	02/911915	Bearing-thrust	0
5	:02/912582	Bearing crankshaft thrust	1
6	02/911188	Kit-wear sleeve front	1
7	02/910859	Kit-wear sleeve rear	1
8	02/910564	Rod connecting	6
9	:02/910536	Bush small end	1
10	:02/910529	Bolt con-rod	2
11	:02/910771	Nut con-rod	2
12	:02/910531	Bearing big-end standard	12
12	****	T.B.A	0
12	****	T.B.A	0
12	****	T.B.A	0
12	****	T.B.A	0
13	****	T.B.A	6
14	:02/910537	Circlip	2
15	:02/910539	Kit-piston ring	1
16	02/912063	Pin gudgeon	6



9802/6760 U1-5-1 FANS, PULLEYS & FAN BELT



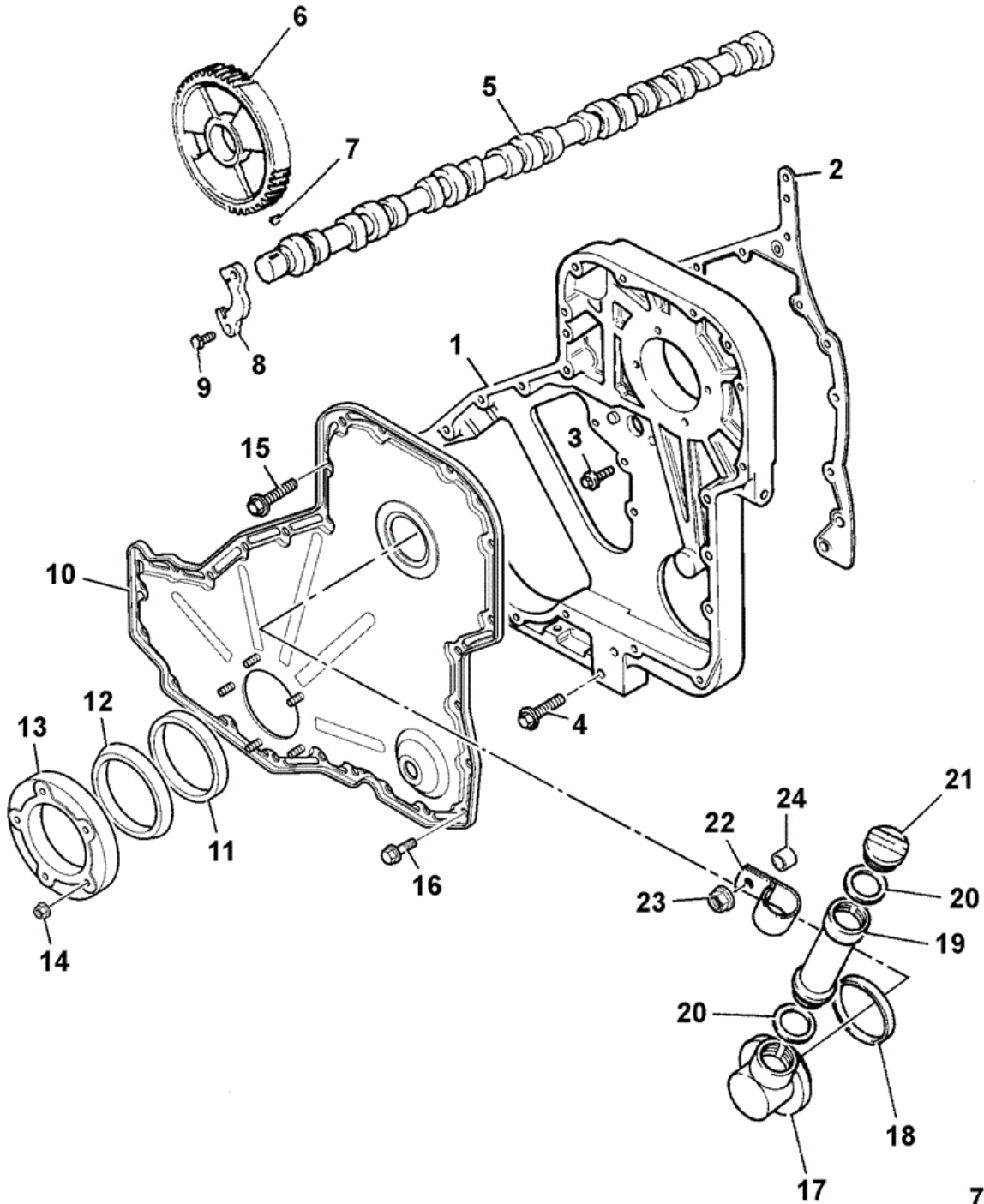
783932

Item	Part #	Change No	Description	Usage Code	QTY
1	02/912064		Pulley crankshaft		1
2	02/910543		Screw		4
3	02/911162		Housing assembly fan drive		1

4	:02/910035		Hub fan	1
5	:02/910033		Circlip	2
6	:02/910032		Bearing	1
7	:02/910793		Retainer fan hub	1
8	:02/911035		Screw	1
9	02/911135		Screw	4
10	02/912018		Pulley Pulley fan	1
11	02/910044		Pulley accessory drive	1
12	01/180055		Adapter fan drive	1
13	1391/3405D		Capscrew M10X20mm	4
14	30/926118		Fan 26" cooling	1
15	30/926606		Coupling viscous fan drive	1
16	1370/0203D		Nut Lock M8	6
17	1420/0007D		Washer (M8)	6
18	02/912016		Bracket pulley support	1
19	02/911233		Screw flange head	3
20	02/912216		Adjuster belt tension	1
21	02/911499		Screw	1
22	02/912217		Belt	1
23	02/912012		Shaft idler	1
24	02/912017		Pulley idler	1
25	02/912015		Cap dust	1
26	02/912011		Screw hex flange head M10x55	1
27	02/910719		Pulley alternator	1



9802/6760 U1-6-1 TIMING CASE CAMSHAFT & GEARS



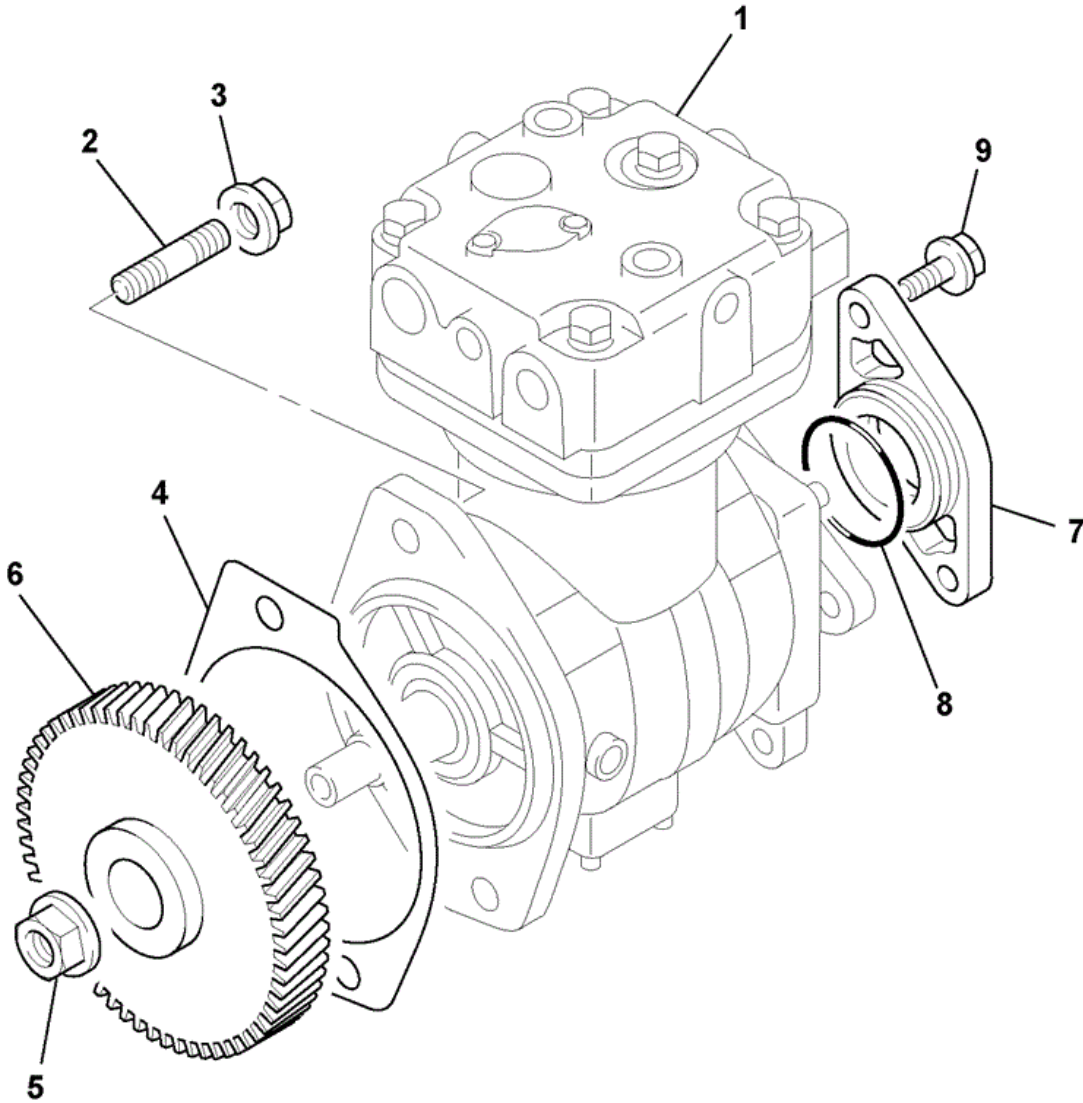
783830

Item	Part #	Change No	Description	Usage Code	QTY
1	02/912068		Casing timing		1
2	02/911219		Gasket timing case to block		1
3	02/911085		Screw		3

4	02/911223	Screw	3
5	02/912069	Camshaft	1
6	02/912070	Gear camshaft	1
7	02/912071	Pin dowel	1
8	02/912137	Bracket camshaft thrust	1
9	02/911013	Screw	2
10	02/912072	Cover timing	1
11	02/911222	Carrier seal	1
12	02/910557	Kit-seal front oil	1
13	02/910567	Shield dust	1
14	02/911224	Nut	5
15	02/911069	Screw Flanged Head M8 x 16mm	13
16	02/911086	Screw	11
17	02/910086	Connector engine oil filler	1
18	02/910043	Seal	1
19	02/910087	Tube engine oil filler	1
20	02/910089	Seal	2
21	02/910088	Cap engine oil filler	1
22	02/910064	Clip	1
23	02/911041	Nut flange	1
24	02/911225	Spacer	1
25	02/911225	Spacer	1



9802/6760 U1-6-2 TIMING CASE AUXILIARY DRIVE



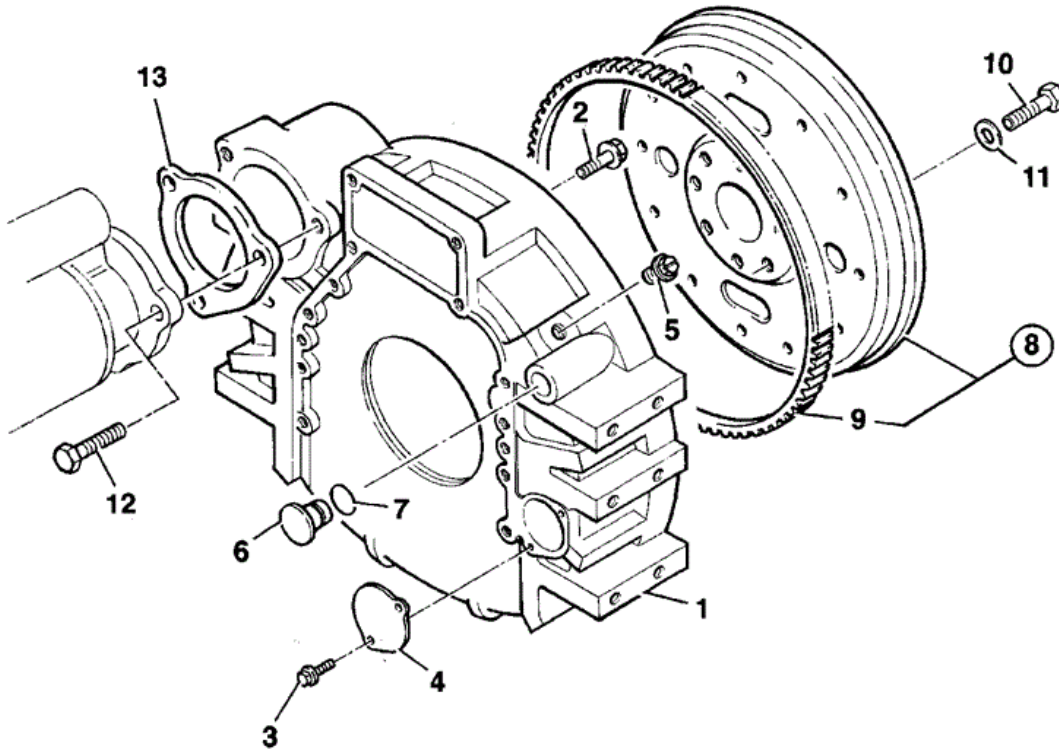
924030

Item	Part #	Change No	Description	Usage Code	QTY
1	****		'See Remark' <i>Compressor, See frame U7-3-1</i>		1
2	02/911064		Stud		2

3	02/911063		Nut		2
4	02/912124		Gasket		1
5	02/911063		Nut		1
6	02/912219		Gear		1
7	02/910946		Cover air compressor		1
8	02/910949		O Ring		1
9	02/911122		Screw flange head M10 x 25		2



9802/6760 U1-7-1 FLYWHEEL & HOUSING



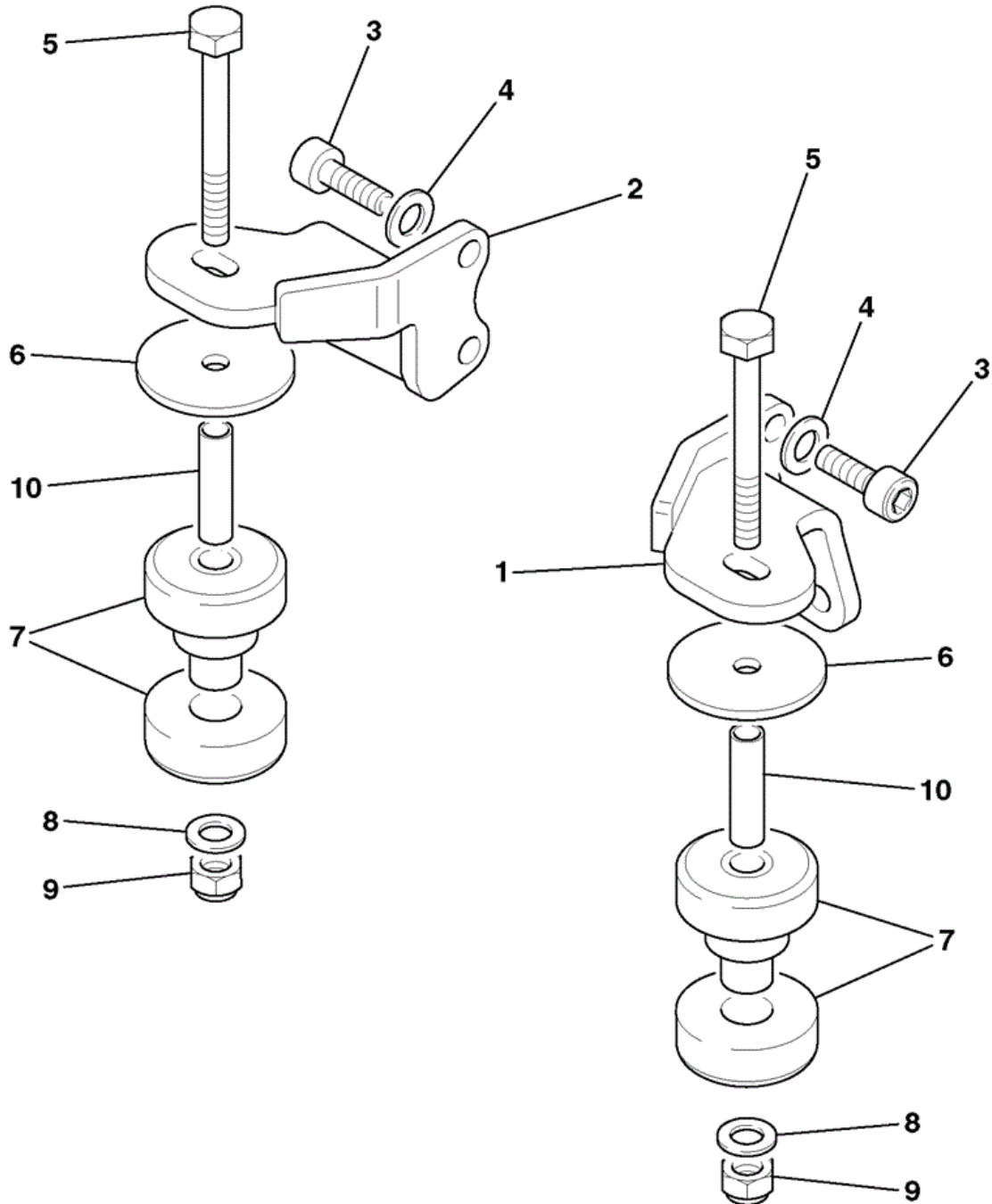
266931

Item	Part #	Change No	Description	Usage Code	QTY
1	02/910803		Housing flywheel		1
2	02/911015		Screw		12
3	02/911088		Screw		2

4	02/910069		Plate Cover	1
5	02/910571		Plug	1
6	02/910068		Plug	1
7	02/910067		O Ring	1
8	02/912181		Flywheel assembly	1
9	:02/910575		Gear flywheel ring	1
10	02/911017		Screw	8
11	02/911018		Washer Plain	8
12	02/912163		Screw twelve point cap	3
13	02/912164		Spacer starting motor	1



9802/6760 U1-8-1 ENGINE MOUNTINGS

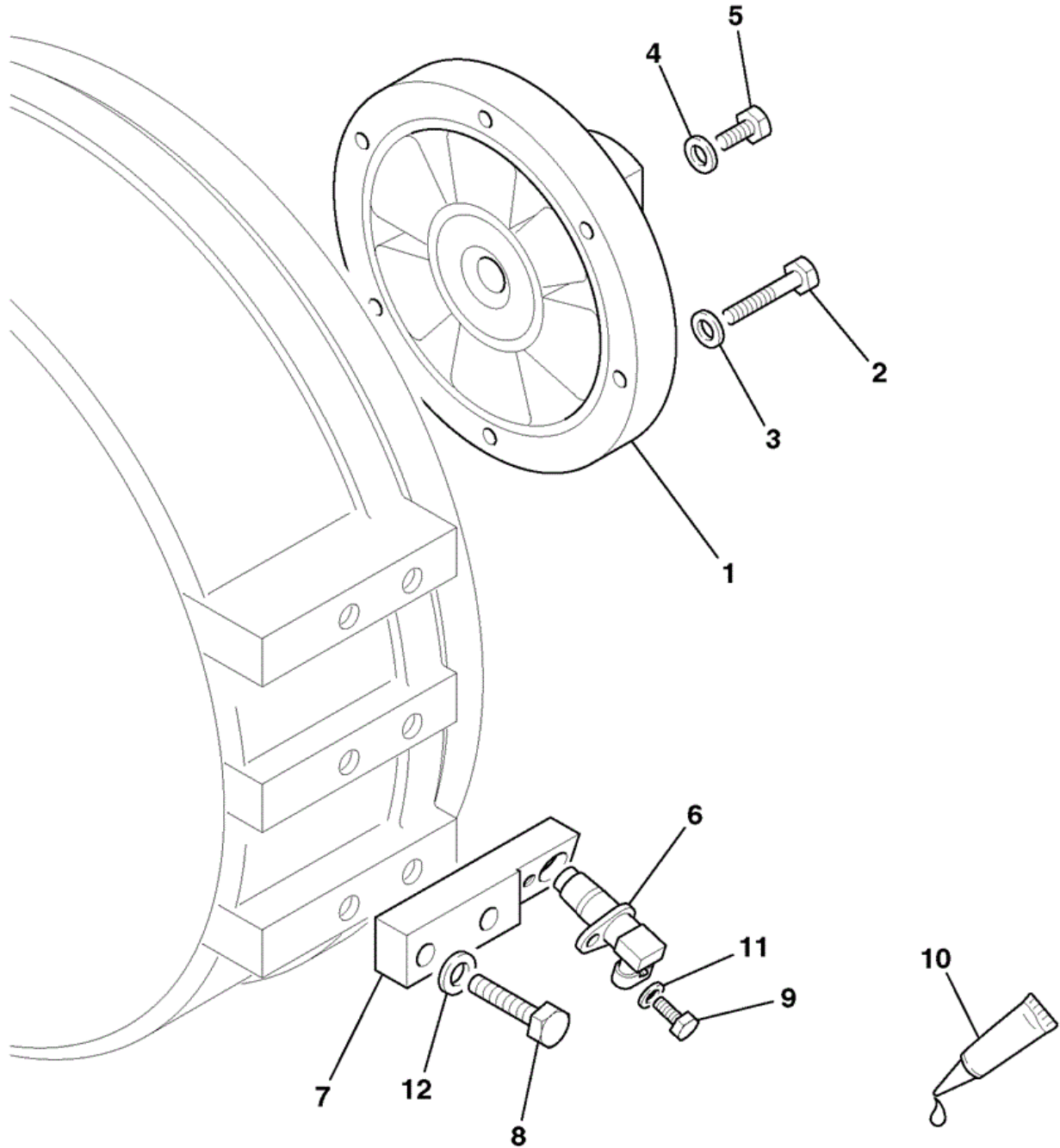


820130

Item	Part #	Change No	Description	Usage Code	QTY
1	335/08574		Bracket engine mounting rear left hand		1
2	335/08575		Bracket engine mounting rear right hand		1
3	335/08603		Bracket engine mounting front right hand		1

4	335/08604		Bracket engine mounting front left hand	1
5	1315/3721D		Bolt M16 x 110	4
6	1420/0011D		Washer (M16)	4
7	332/T3942		Mounting engine	4
8	120/16902		Plate Rebound	4
9	1370/0603D		Nut -Lock Nut, M16	4
10	1315/3509D		Bolt M12x35	8
11	1391/3509D		Capscrew M12x35mm	8
12	4101/0251		Sealant Threadlock 50ml <i>Used with items 10 & 11</i>	0
13	242/00290		Tie Panel Fixing Cable	1

JCB 9802/6760 U1-9-1 TORSIONAL DAMPER & ROTATION
SENSOR (ENGINE SPEED)



785840

Item	Part #	Change No	Description	Usage Code	QTY
1	331/47365		Damper torsional		1



Suggest:

If the above button click is invalid.

Please download this document

first, and then click the above link

to download the complete manual.

Thank you so much for reading