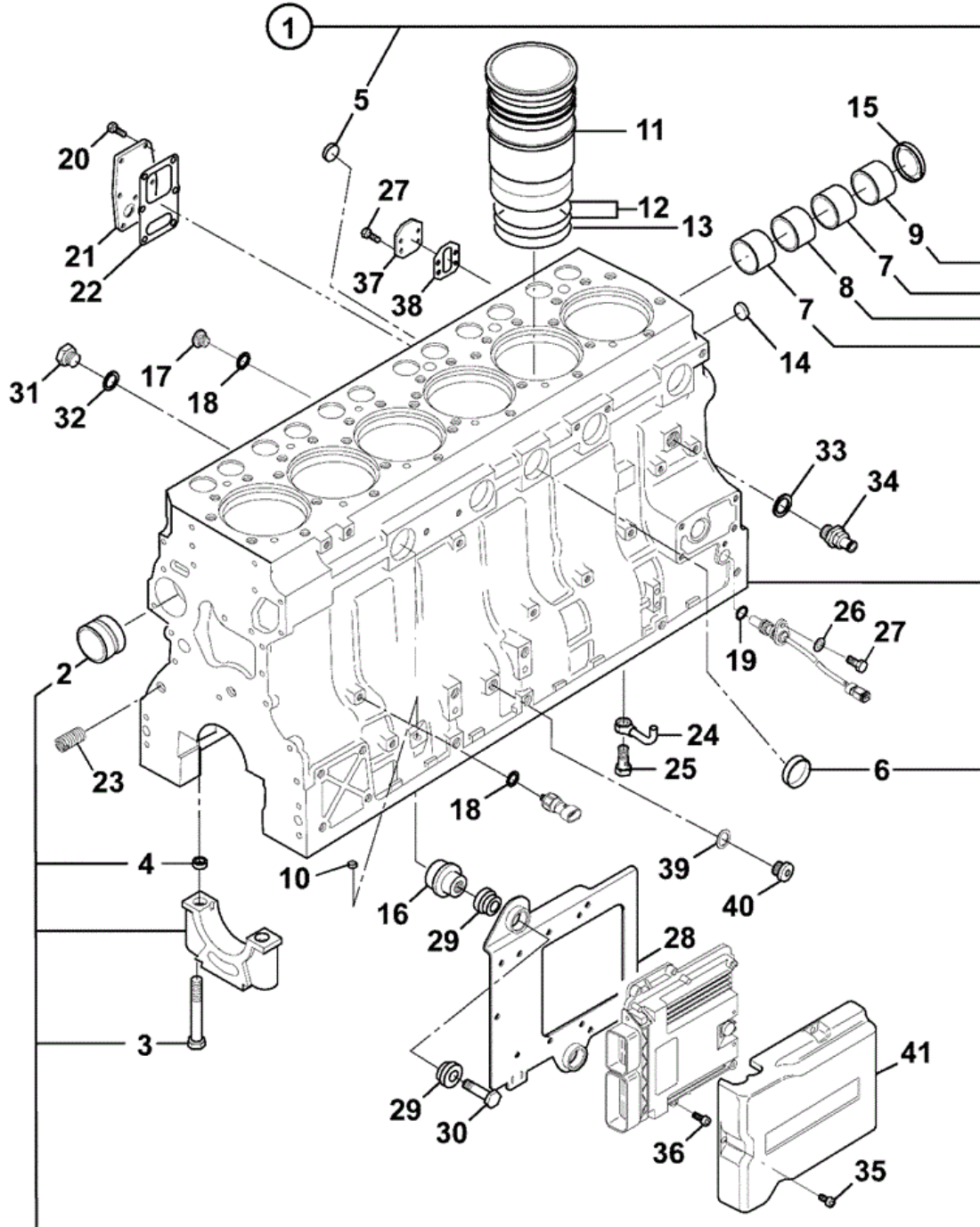




# 9822/0235 V120-1-1 CYLINDER BLOCK

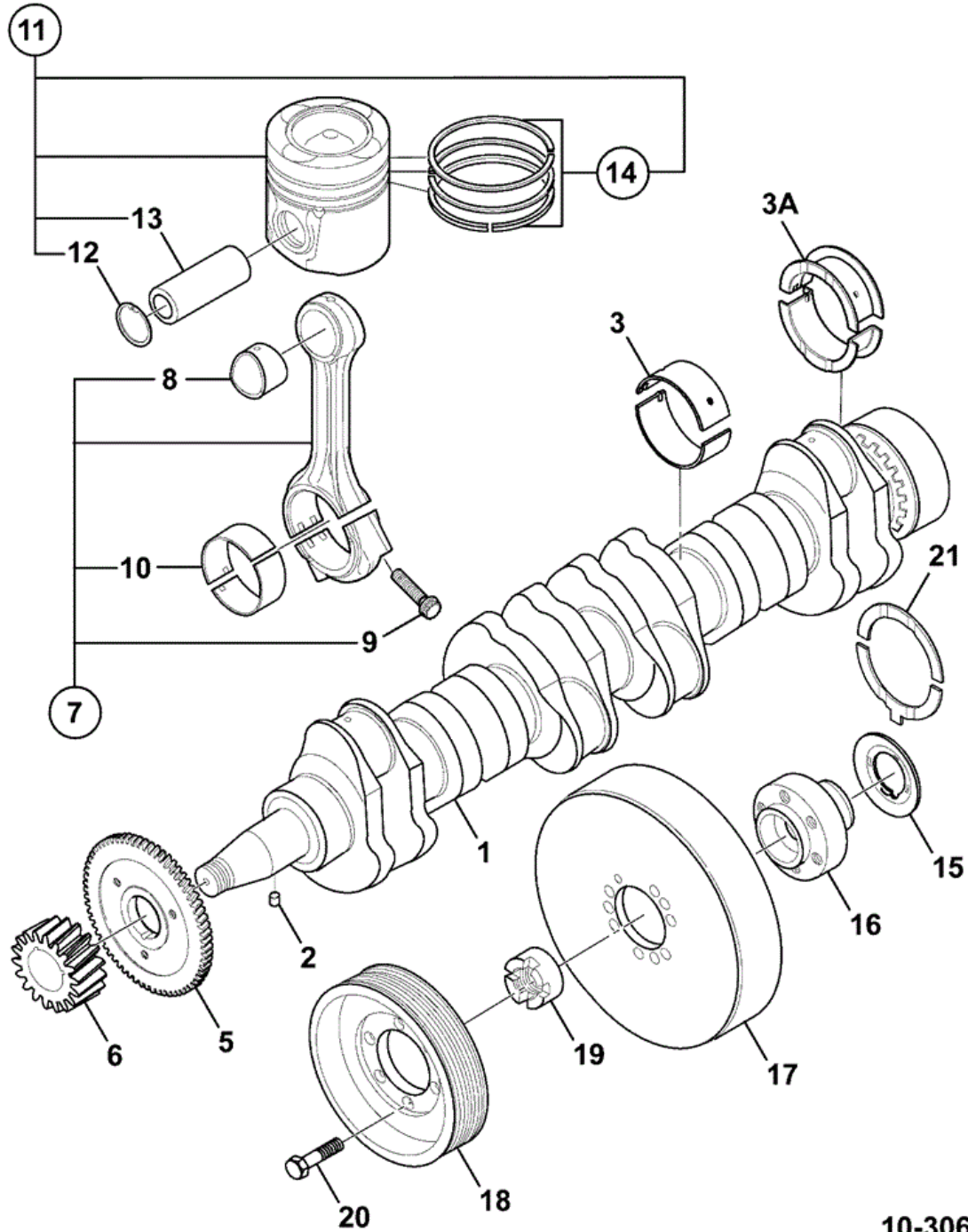


10-30450

Item	Part #	Change No	Description	Usage Code	QTY
1	332/L8787		Cylinder block <i>Includes items 2 to 9</i>		1
2	:02/950001		Bush		1

3	:332/L8788		Screw	14
4	:02/950002		Sleeve guide	24
5	:02/950009		Plug	1
6	:02/950017		Plug	5
7	:02/950322		Bush	2
8	:02/950323		Bush	1
9	:02/950324		Bush	1
10	332/L8789		Plug Cup	1
11	332/L8791		Cylinder liner	6
12	332/L8792		O Ring	12
13	332/L8793		O Ring	6
14	02/950007		Plug	2
15	02/950325		Plug	1
16	332/L8794		Plug	1
17	02/950010		Plug	5
18	02/950011		Washer sealing	5
19	332/L8795		O Ring	1
20	02/950182		Screw M8x20	5
21	332/L8796		Cover	1
22	02/950327		Gasket	1
23	332/L8797		Nipple Thread	1
24	332/G5715		Piston Oil Cooler	6
25	02/950329		Bolt banjo	6
26	332/L8800		Washer	1
27	02/950053		Screw M8x16	5
28	332/L8801		Bracket	1
29	332/L8802		Bush	6
30	332/L8803		Screw	3
31	332/L8804		Plug	1
32	02/950019		Washer sealing	1
33	02/950020		Seal ring	1
34	02/950023		Adapter	1
35	332/L8805		Screw	3
36	332/L8807		Screw	4
37	332/L8808		Cover	1
38	332/L8809		Gasket	1
39	332/L8810		Seal ring	1
40	02/950273		Plug	1
41	332/L8811		Cover	1

**JCB** 9822/0235 V130-1-1 CRANKSHAFT, BEARINGS PISTONS,  
CON-RODS PULLEY & DAMPER



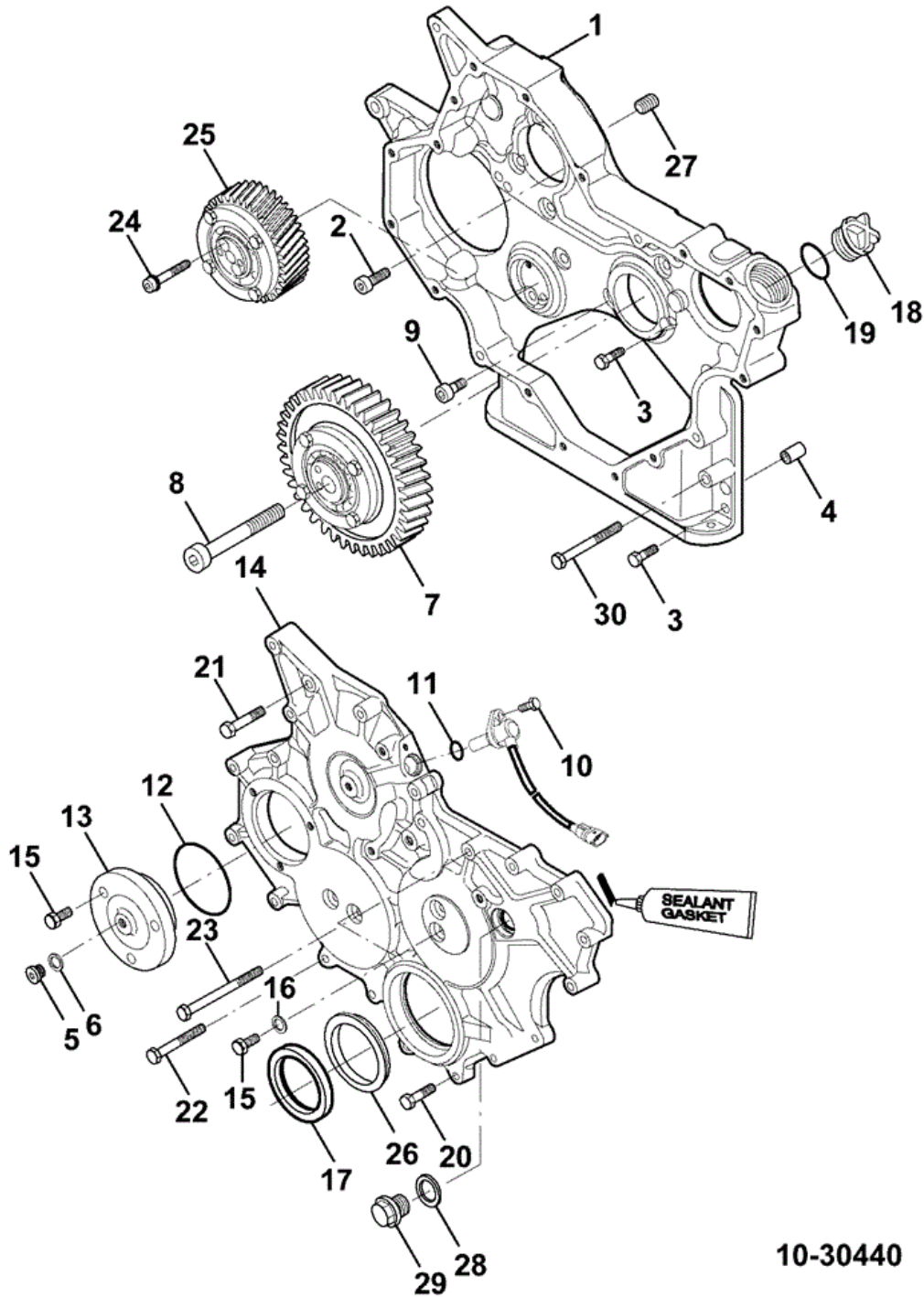
10-30630

Item	Part #	Change No	Description	Usage Code	QTY
1	332/L8757		Crankshaft		1

2	332/L8759		Key		1
3	332/G5379		Bearing main standard <i>Positions 1 to 6</i>		6
3A	332/G5732		Bearing Main standard <i>Position 7</i>		1
3B	332/G5698		Bearing Main -0.25mm x 7 pairs <i>Positions 1 to 7</i>		7
3C	332/G5699		Bearing Main -0.50mm x 7 Pairs <i>Positions 1 to 7</i>		7
3D	332/G5700		Bearing Main -1.00mm x 7 Pairs <i>Positions 1 to 7</i>		7
3E	332/G5701		Bearing Main -1.50mm x 7 Pairs <i>Positions 1 to 7</i>		7
5	332/L8760		Gear		1
6	332/L8761		Gear		1
7	332/L8764		Kit-conrod kit of 6 conrods <i>Includes items 8 &amp; 9 + 6 conrods</i>		1
8	:332/L8766		Bush		6
9	:332/L8767		Screw		12
10	332/L8771		Bearing big end standard		6
10A	333/C3669		Bearing big end u/s 0,25mm		6
10B	333/C3672		Bearing big end u/s 0,50mm		6
10C	333/C3674		Bearing big end u/s 1,00mm		6
10D	333/C3675		Bearing big end u/s 1,50mm		6
11	332/L8773		Piston <i>Includes items 12,13 &amp; 14</i>		6
12	****		None serviced part <i>Circlip</i>		12
13	****		None serviced part <i>Pin Piston</i>		6
14	:332/L8775		Piston Ring kit		6
15	332/L8776		Ring		1
16	332/L8782		Hub		1
17	332/L8783		Damper Vibration		1
18	332/L8784		Belt -V Pulley		1
19	02/950338		Nut		1
20	02/950065		Screw		6
21	332/G5697		Washer Thrust standard		1
21A	332/G5705		Washer Thrust -0.1mm		1
21B	333/C3676		Washer thrust -0,2 mm		1



## 9822/0235 V160-1-1 TIMING CASE & COVER & GEARS



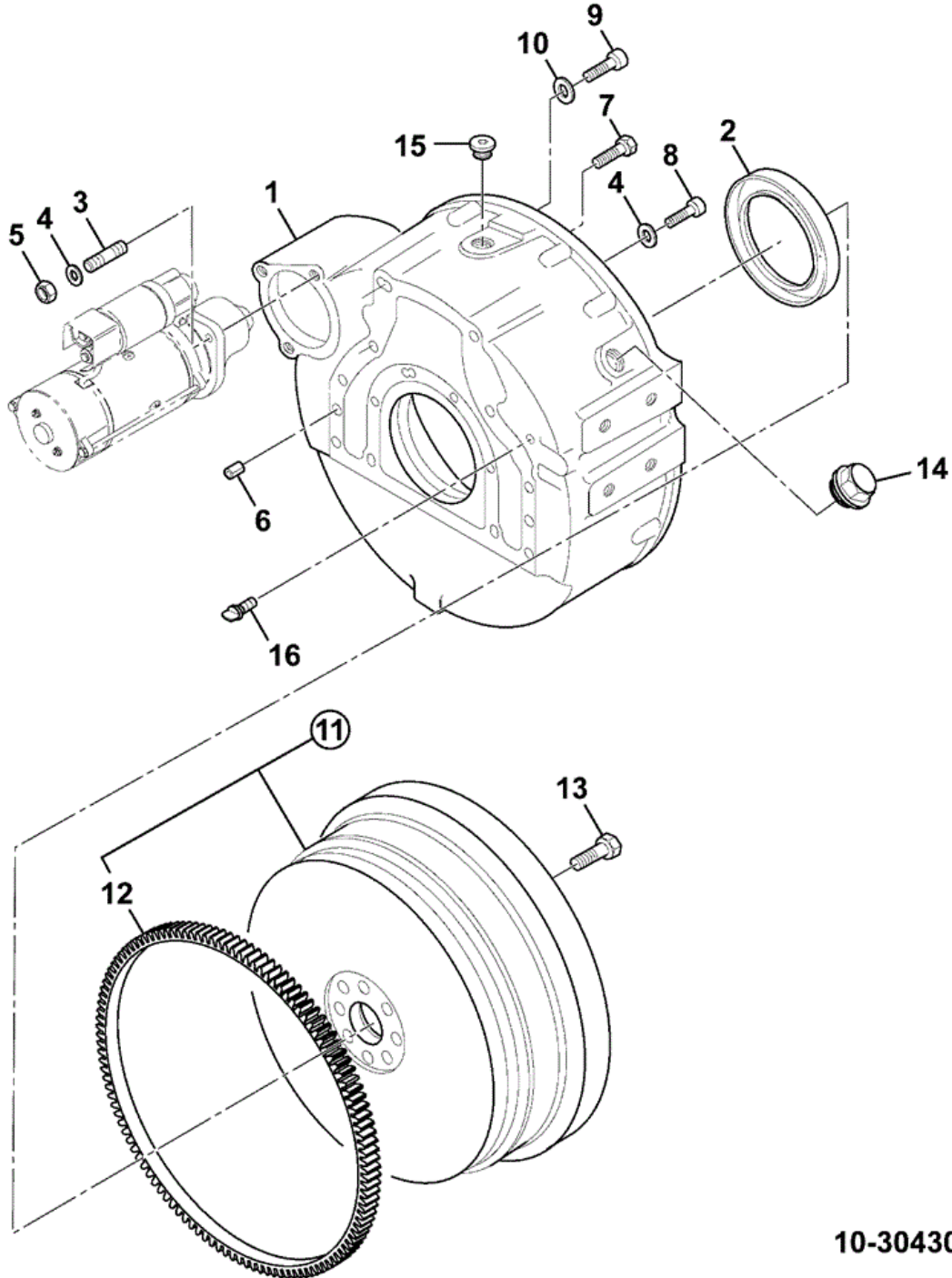
10-30440

Item	Part #	Change No	Description	Usage Code	QTY
1	332/L8864		Gear housing		1
2	02/950292		Screw M8x25		3
3	02/950027		Screw		11

4	02/950029		Pin	2
5	02/950010		Plug	1
6	02/950011		Washer sealing	1
7	332/L8866		Gear	1
8	332/L8867		Screw	1
9	332/L8868		Screw	1
10	332/L8869		Screw	1
11	332/L8870		O Ring	1
12	332/L8871		O Ring	1
13	332/L8872		Cover	1
14	332/L8873		Cover Front	1
15	02/950182		Screw M8x20	7
16	332/L8874		Seal ring	4
17	332/L8875		Seal oil	1
18	332/L8876		Cap	1
19	332/L8877		O Ring	1
20	02/950243		Screw M8x30	5
21	02/950031		Screw	14
22	02/950364		Screw M8x80	2
23	332/L8878		Screw	1
24	332/L8879		Screw	2
25	332/L8880		Gear	1
26	332/L8881		Shield plate	1
27	332/L8882		Screw	1
28	02/950244		Washer sealing	1
29	02/950245		Plug	1
30	02/950048		Screw M8x60	1



## 9822/0235 V180-1-1 FLYWHEEL & HOUSING



10-30430

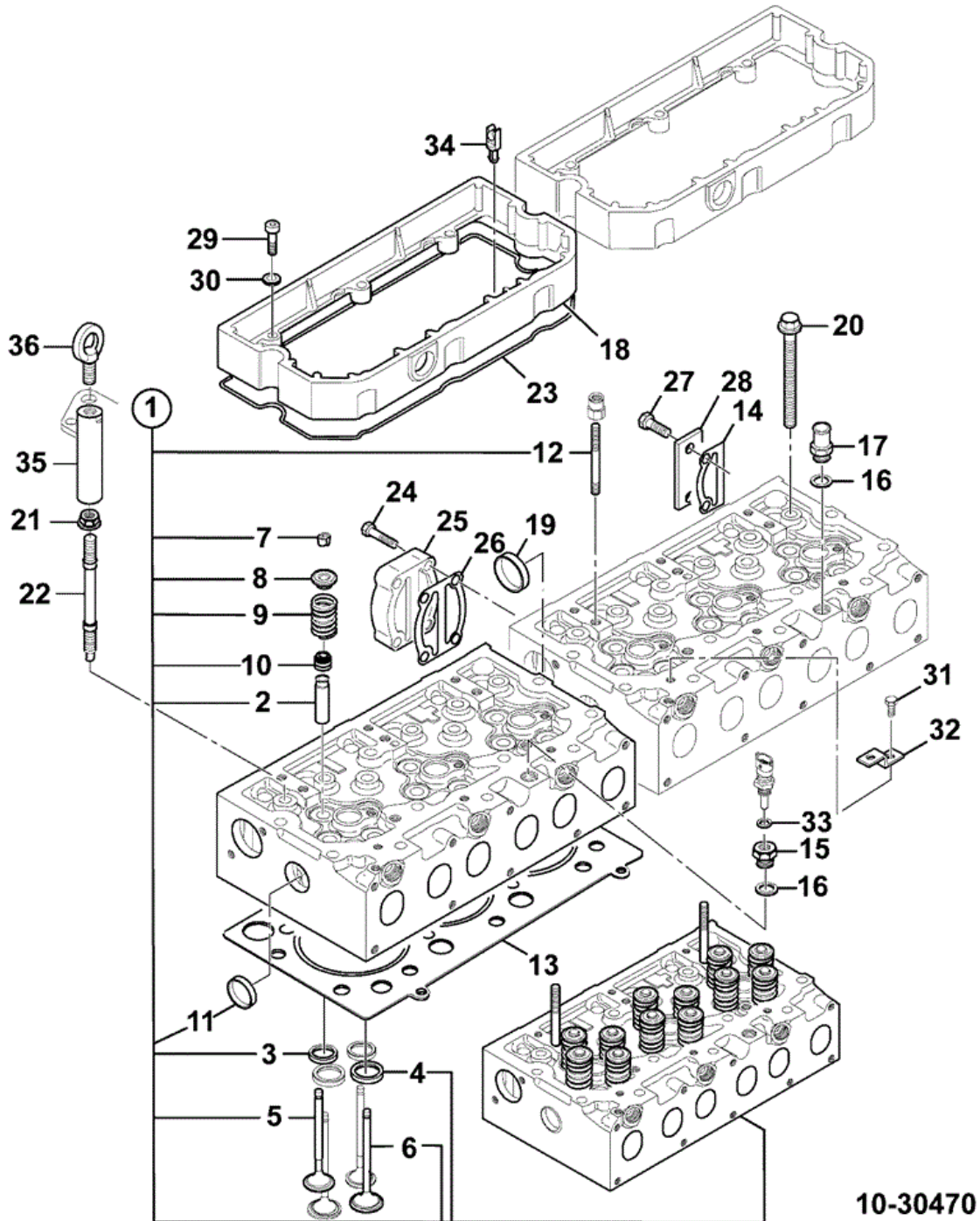
Item	Part #	Change No	Description	Usage Code	QTY
1	02/950055		Housing flywheel		1
2	332/L8750		Seal oil		1
3	332/L8753		Stud		3

4	02/950058		Washer	6
5	02/950057		Nut M10	3
6	02/950029		Pin	2
7	02/950059		Screw M12x35	6
8	02/950061		Screw M10x30	6
9	02/950063		Screw M12x35	2
10	02/950068		Washer	1
11	332/L8754		Flywheel <i>Includes item 12</i>	1
12	:02/950062		Gear starter ring	1
13	332/L8756		Screw	8
14	02/950064		Plug	1
15	02/950013		Plug	1
16	02/950066		Plug	1





# 9822/0235 V210-1-1 CYLINDER HEAD



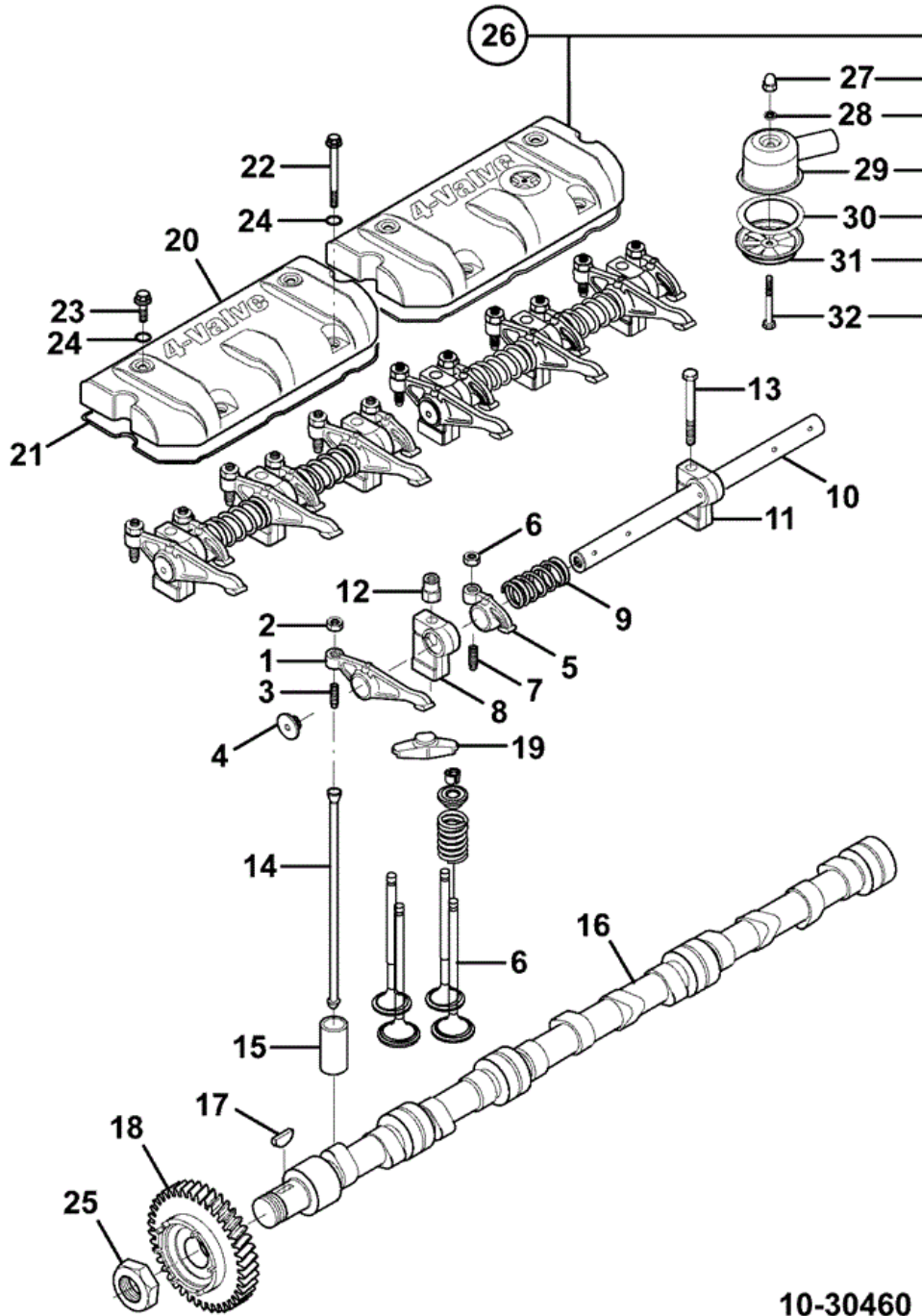
10-30470

Item	Part #	Change No	Description	Usage Code	QTY
1	332/L8901		Cylinder Head <i>Includes items 2 to 12</i>		2
2	:332/L8902		Valve guide		24

3	:332/L8903		Valve seat	12
4	:332/L8904		Valve seat	12
5	:332/L8905		Exhaust Valve	12
6	:332/L8906		Valve Intake	12
7	:332/L8907		Valve cotter	48
8	:332/L8908		Spring Plate	24
9	:332/L8909		Spring	24
10	:332/L8910		Rubber Seal	24
11	:02/950108		Plug	8
12	:02/950117		Stud M10x75	4
13	02/950359		Gasket	2
14	02/950348		Gasket	1
15	332/L8911		Nipple - Threaded	1
16	02/950014		Washer sealing	2
17	02/950025		Connector	1
18	332/L8912		Frame	2
19	02/950347		Plug	1
20	332/G5736		Bolt .	31
21	02/950127		Nut	3
22	02/950125		Stud	3
23	332/L8913		Gasket	2
24	02/950276		Screw M10x40	4
25	02/950345		Connector	1
26	02/950346		Gasket	1
27	02/950120		Screw M10x25	2
28	02/950353		Plate cover	1
29	332/L8914		Screw	6
30	02/950173		Washer	6
31	332/L8915		Screw	1
32	02/950206		Bracket	1
33	02/950238		Washer sealing	1
34	332/L8916		Band	4
35	332/L8917		Nut	3
36	332/L8918		Stud eye	2



## 9822/0235 V240-1-1 ROCKER ASSEMBLY PUSH RODS & TAPPETS COVER & CAMSHAFT



10-30460

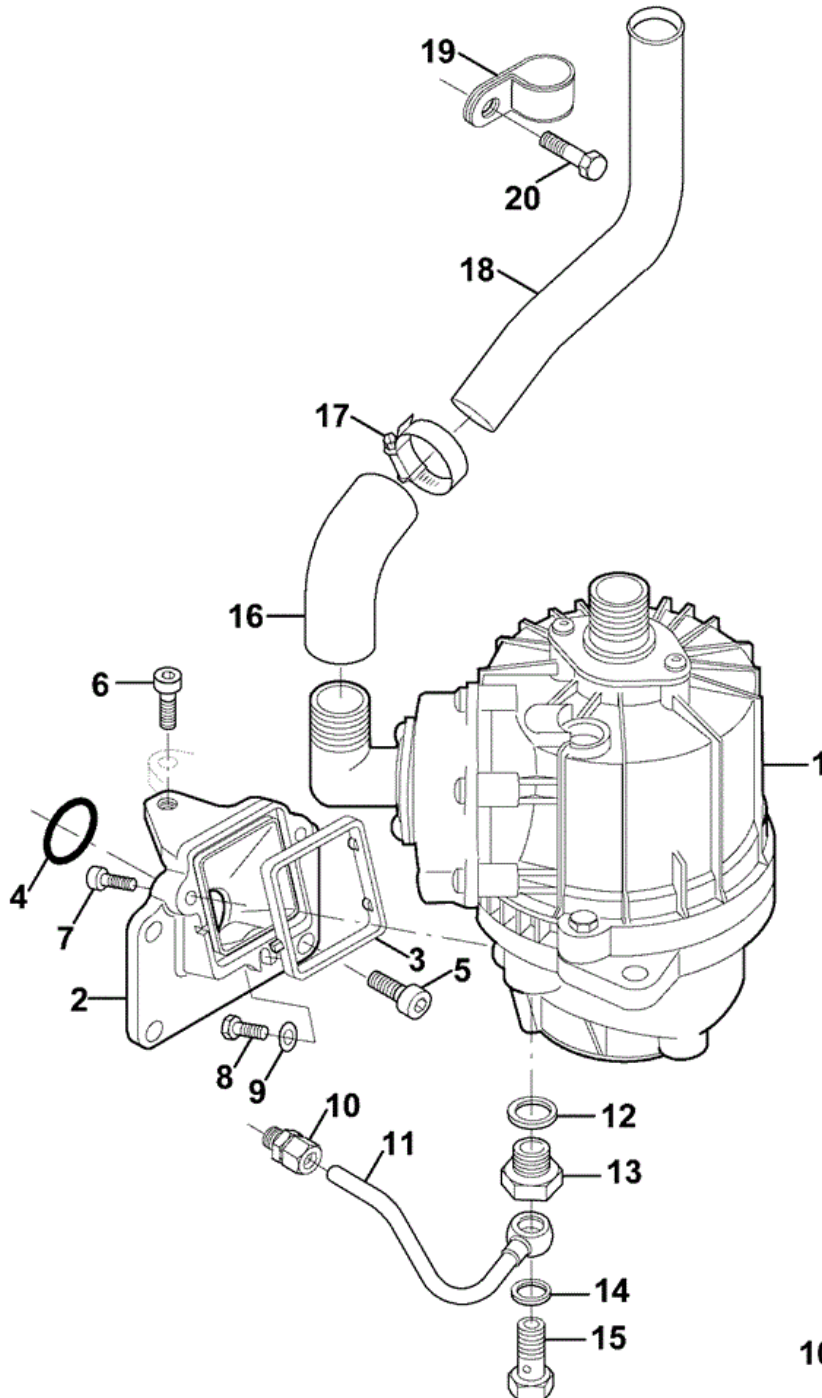
Item	Part #	Change No	Description	Usage Code	QTY
A	332/L8883		Valve Mechanism <i>Includes items 1 to 11</i>		2

1	:332/L8884		Valve lever <i>Includes items 2 &amp; 3</i>	6
2	::02/950087		Nut	6
3	::332/G5735		Screw Adjuster	6
4	:332/G5733		Plug End	4
5	:332/L8885		Valve lever <i>Includes items 6 &amp; 7</i>	6
6	::02/950087		Nut	6
7	::332/G5735		Screw Adjuster	6
8	:332/L8886		Bracket	4
9	:332/L8887		Spring	4
10	:332/L8888		Shaft	2
11	:332/L8889		Bracket	2
12	02/950094		Nut	4
13	02/950343		Screw M10x80	2
14	332/L8890		Rod - Push	12
15	02/950096		Tappet	12
16	332/L8891		Cam Shaft	1
17	02/950097		Key	1
18	332/L8892		Gear	1
19	332/L8893		Connecting part	12
20	332/L8894		Cover	1
21	332/L8895		Gasket	2
22	332/L8896		Screw	4
23	332/G5678		Bolt M10 x 20	4
24	332/G5684		O Ring .	8
25	332/L8897		Nut	1
26	332/L8898		Cover <i>Includes items 27 to 32</i>	1
27	:332/G5672		Nut .	1
28	:332/G5690		Washer Seal	1
29	:332/G5719		Breather .	1
30	:332/G5689		Gasket .	1
31	:332/L8899		Cup	1
32	:332/L8900		Screw	1



# 9822/0235 V260-1-1 CCV FILTER CRANKCASE

## VENTILATION



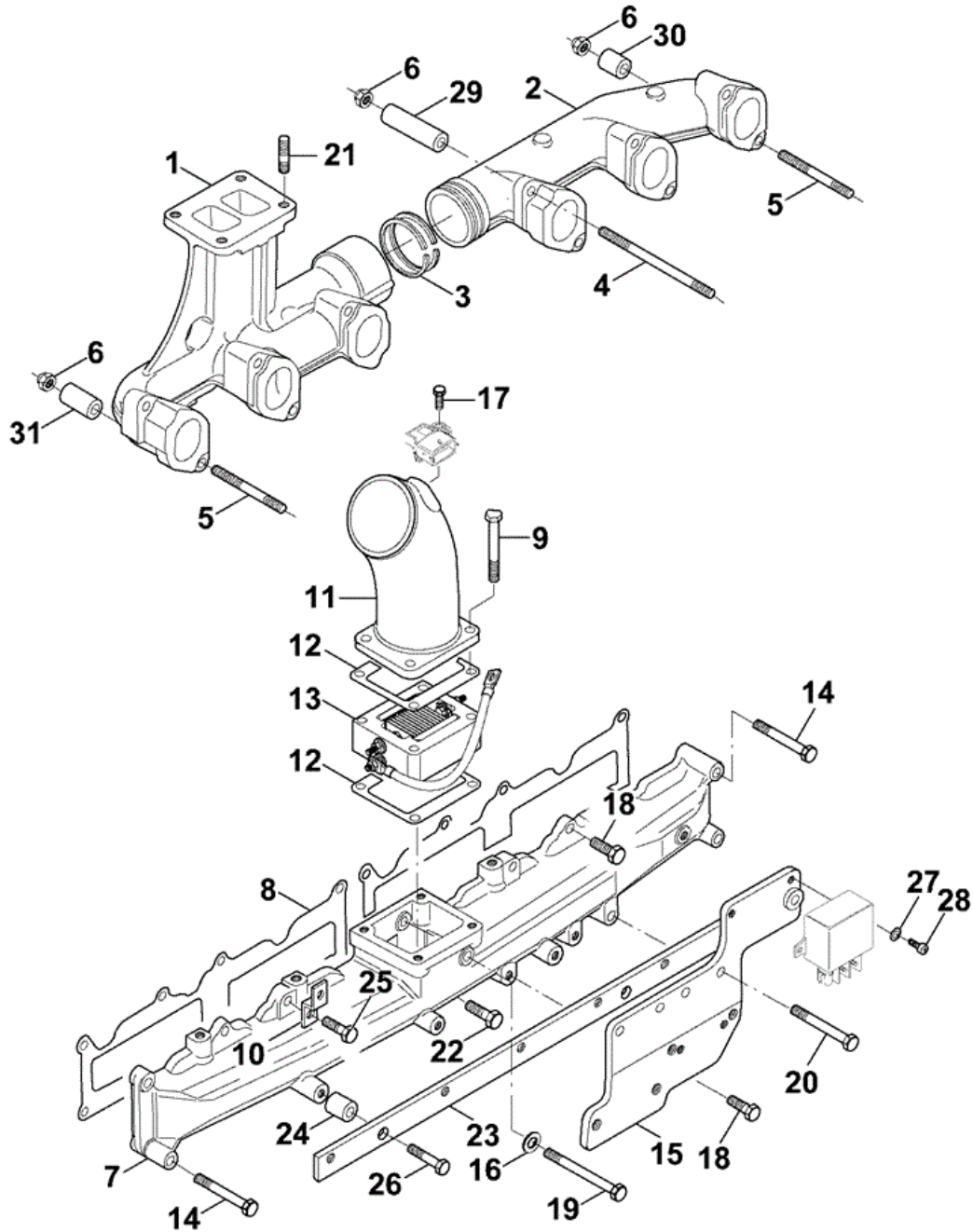
10-30520

Item	Part #	Change No	Description	Usage Code	QTY
1	332/L9168		Filter Crank case ventilation		1

2	332/L9169		Bracket	1
3	332/L9170		Gasket	1
4	332/L9171		O Ring	1
5	02/950387		Screw M10x20	4
6	02/950292		Screw M8x25	1
7	332/L8807		Screw	2
8	332/L8935		Screw	1
9	02/950207		Washer	1
10	332/L9173		Union	1
11	332/L9174		Pipe	1
12	02/950014		Washer sealing	1
13	332/L8911		Nipple - Threaded	1
14	332/L8810		Seal ring	1
15	02/950270		Bolt banjo	1
16	332/L9175		Pipe rubber	1
17	332/L9176		Hose clip	2
18	332/L9177		Pipe	1
19	332/L9178		Band	1
20	332/L9179		Screw	1



## 9822/0235 V300-1-1 MANIFOLDS INDUCTION/EXHAUST



10-30480

Item	Part #	Change No	Description	Usage Code	QTY
1	332/L8922		Exhaust manifold		1
2	332/L8923		Exhaust manifold		1
3	332/L8925		Seal ring		2

Thank you so much for reading.  
Please click the “Buy Now!”  
button below to download the  
complete manual.



After you pay.

You can download the most  
perfect and complete manual in  
the world immediately.

Our support email:

[ebooklibonline@outlook.com](mailto:ebooklibonline@outlook.com)