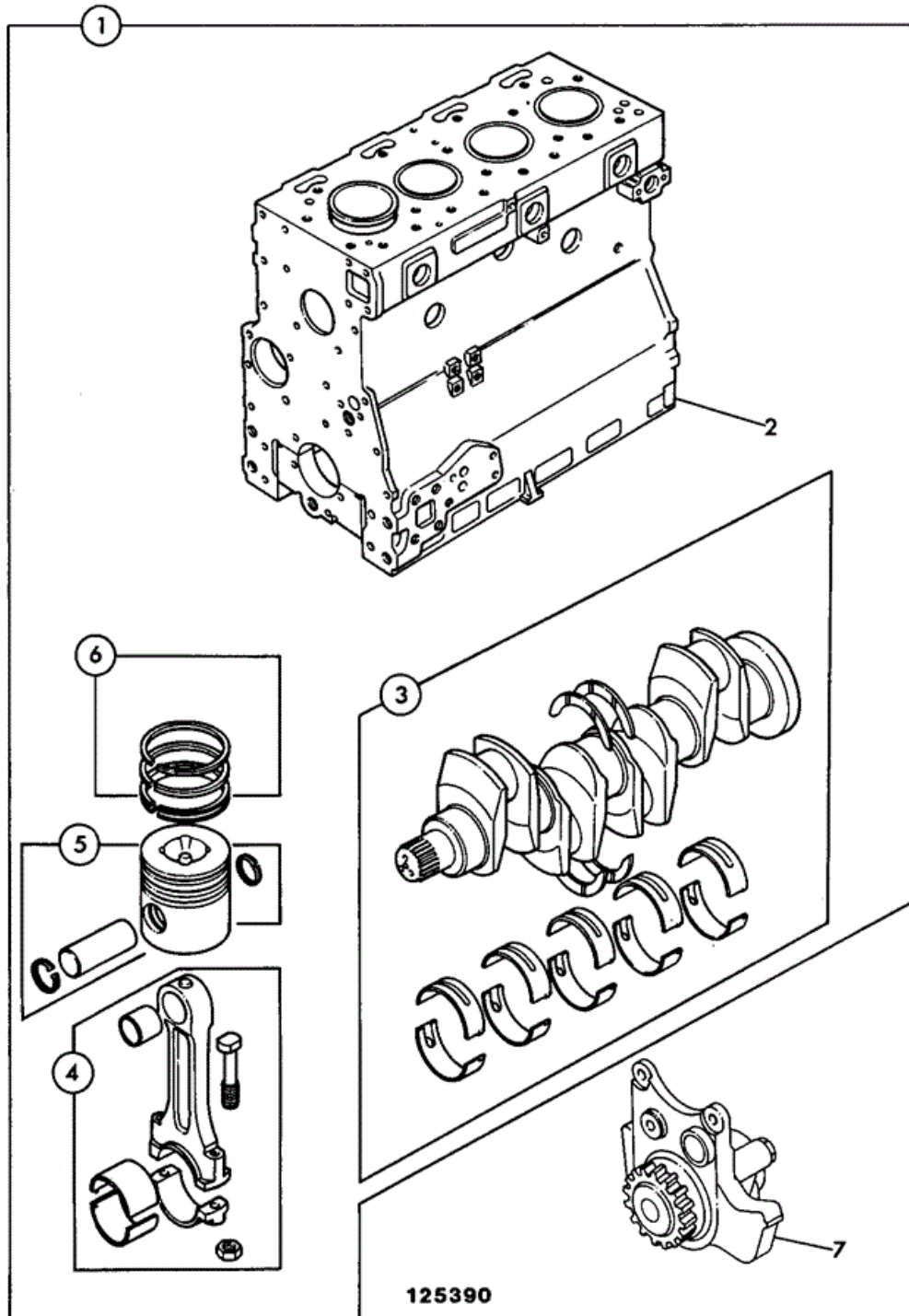


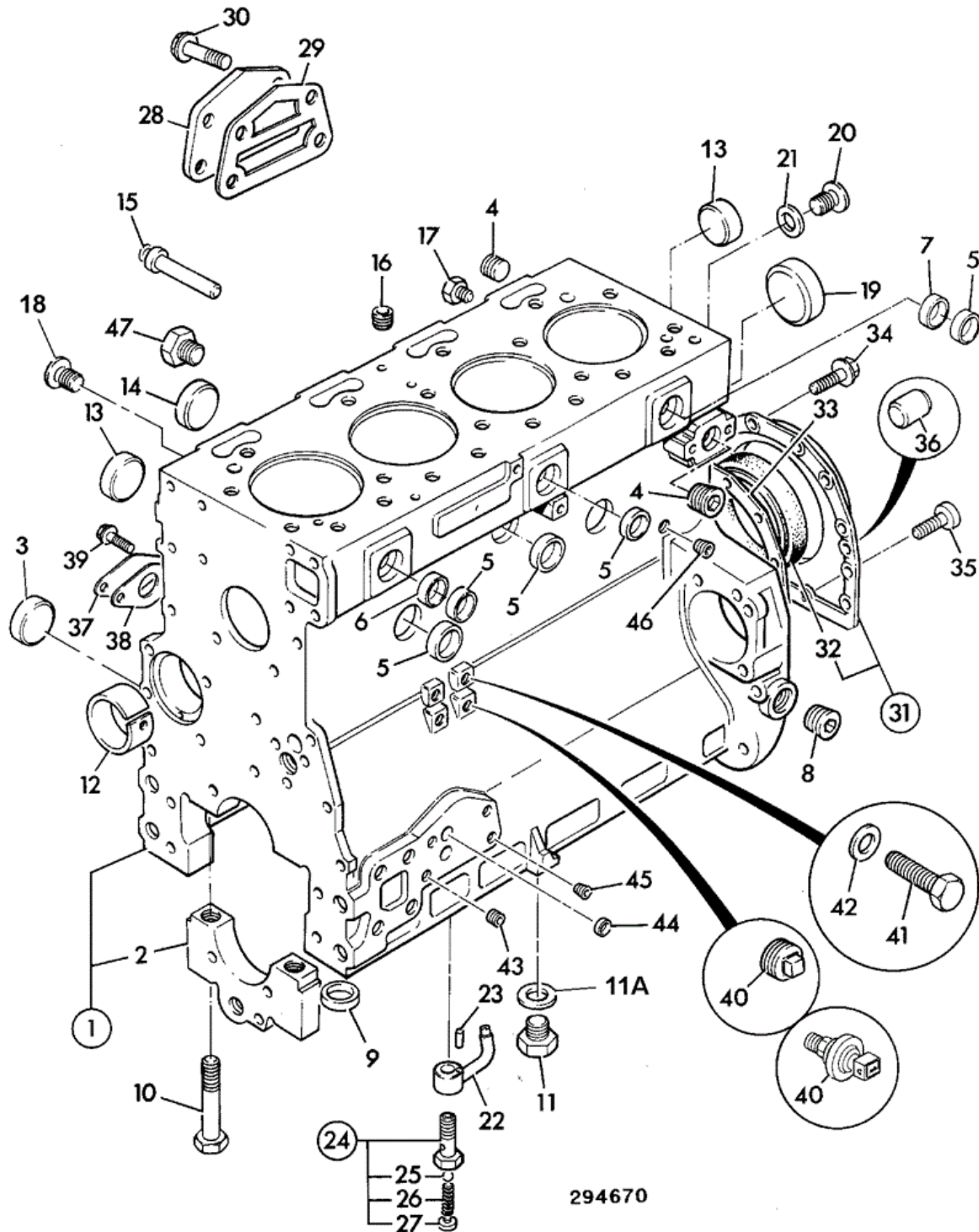
JCB 9802/7630 P1-2-1 ENGINE, SHORT AR BUILD



Item	Part #	Change No	Description	Usage Code	QTY
1	02/201800	Superseded	Engine short nat/asp		1
1	02/202382		Engine short		1
2	****		'See Remark' <i>See frame P1-3-1, Block assembly</i>		1
3	****		'See Remark' <i>See frame P1-4-1, Crankshaft assembly</i>		1
4	****		'See Remark' <i>See frame P1-4-1, Con-rod assembly</i>		4
5	****		'See Remark' <i>See frame P1-4-1, Piston assembly</i>		4
6	****		'See Remark' <i>See frame P1-4-1, Piston ring kit</i>		4
7	****		'See Remark' <i>See frame P5-2-1, Oil pump</i>		1



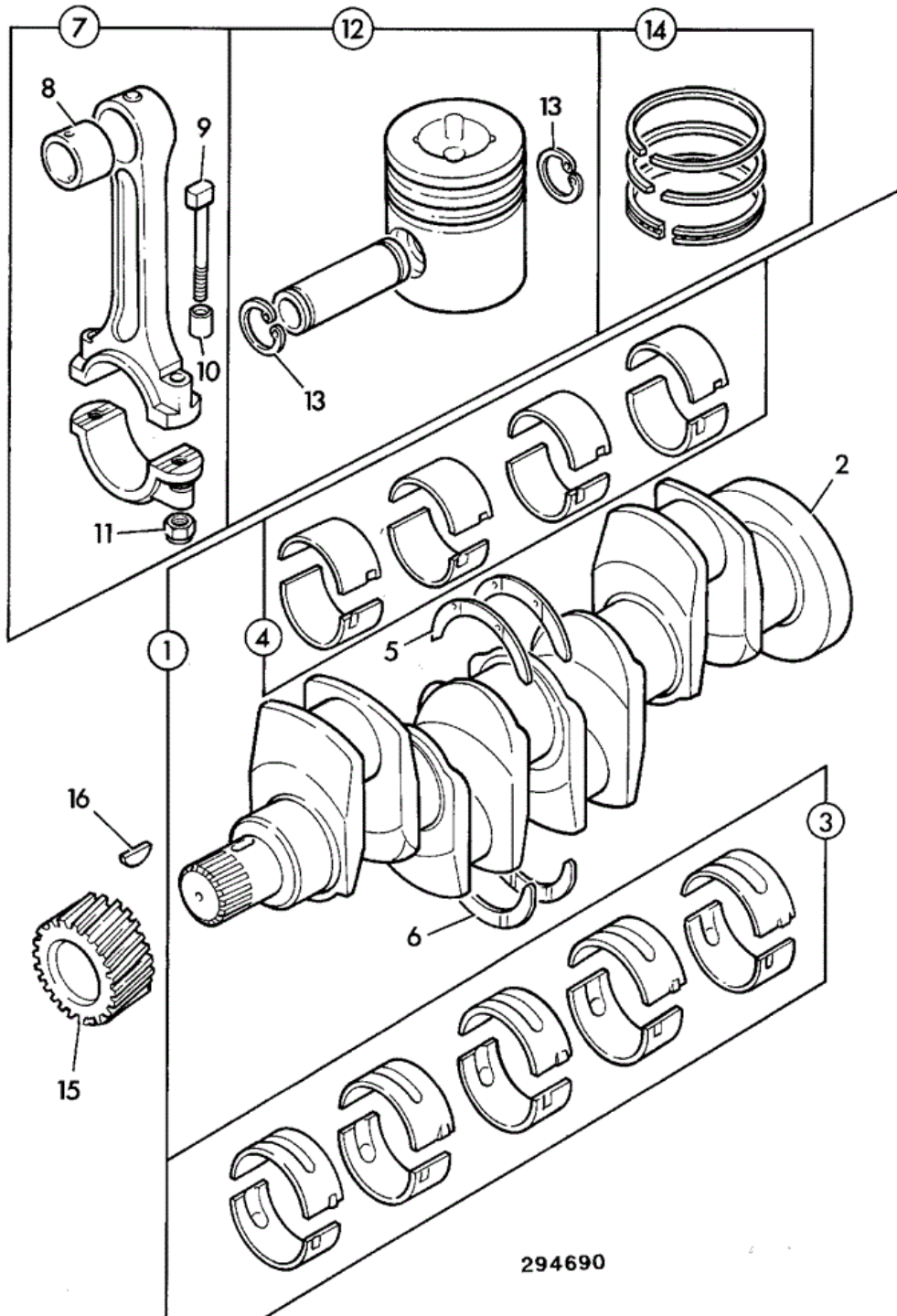
9802/7630 P1-3-1 BLOCK ASSEMBLY AR BUILD



Item	Part #	Change No	Description	Usage Code	QTY
1	02/201801		Block cylinder assembly		1
2	****		None serviced part		1

			<i>Block</i>	
3	****		None serviced part <i>Bearing cap</i>	5
4	:02/100134		Plug	2
5	:02/100396		Plug core D=32mm	5
6	:02/201802		Plug	1
7	****		'See Remark' <i>Not fitted or required</i>	0
8	:02/100134		Plug	1
9	:02/100101		Thimble	10
10	:02/100102		Bolt	10
11	:02/201803		Plug	3
12	:02/192001		Bush camshaft	1
13	:02/200454		Plug core D=38mm	4
14	:02/201361		Plug core D=38mm	4
15	:02/101827		Plug	1
16	:02/100108		Plug	1
17	:02/100132		Plug drain	1
18	02/200454		Plug core D=38mm	2
19	:02/201362		Plug core D=50mm	1
20	:02/200827		Plug	1
21	:02/200828		Washer	1
22	:02/201734		Jet piston cooling	1
23	:02/201731		Pin roll	1
24	::02/101898		Valve	1
25	::02/200099		Ball	1
26	::02/200098		Spring	1
27	::02/200097		Retainer	1
28	:02/200826		Plate	1
29	:02/200484		Gasket	1
30	:02/291042		Bolt	4
31	:02/200958		Housing rear seal	1
32	:02/101436		Seal rear oil	1
33	02/201092		Gasket rear seal housing	1
34	826/00869		Screw flange head	12
35	02/291185		Capscrew	2
36	02/100308		Dowel	2
37	02/200004		Plate	1
38	02/200475		Gasket	1
39	02/291031		Bolt	2
40	701/41600		Switch oil pressure M12 red body, AMP	1
41	1315/0402Z		Setscrew	1
42	823/00273		Washer	1
43	02/201364		Plug parallel threaded	2
44	02/201363		Plug core D=14mm	1
45	02/100409		Plug taper threaded	1
46	02/100134		Plug	1
47	02/100132		Plug drain	1

JCB 9802/7630 P1-4-1 CRANKSHAFT, BEARINGS PISTONS & CON-RODS AR BUILD



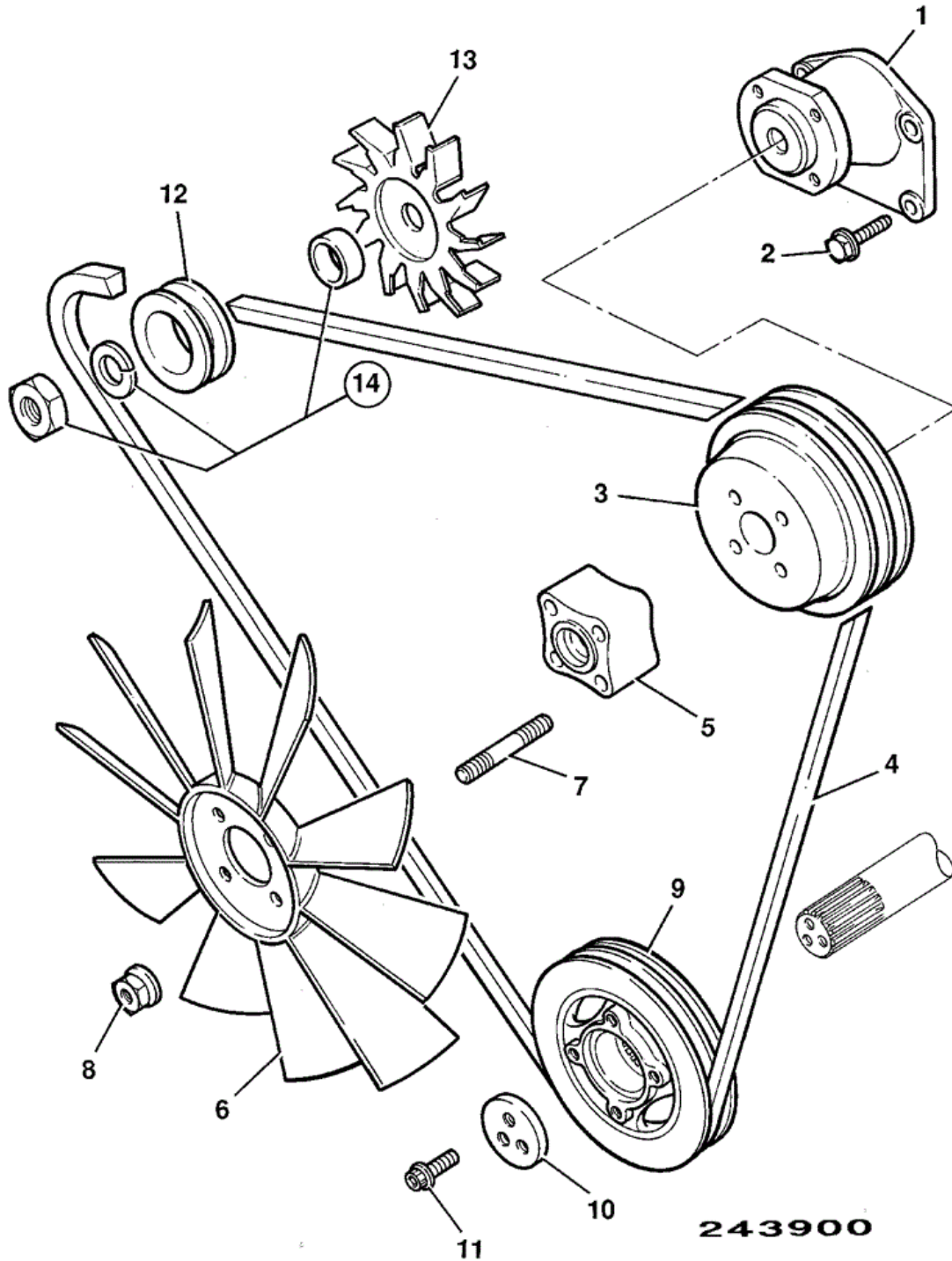
Item	Part #	Change No	Description	Usage Code	QTY
1	02/200915		Crankshaft assembly		1

2	****	None serviced part <i>Crankshaft</i>	1
3	:02/192002	Kit-bearing Main Standard	1
3	02/192003	Kit-bearing Main Undersize - .010inch	1
3	02/192004	Kit-bearing Main Undersize - .020inch	1
3	02/192005	Kit-bearing Main Undersize - .030inch	1
4	:02/192085	Kit-bearing 4 Pairs Standard	1
4	02/192086	Kit-bearing 4 Pairs Undersize - .010inch	1
4	02/192087	Kit-bearing 4 Pairs Undersize - 0.20inch	1
4	02/192088	Kit-bearing 4 Pairs Undersize - 0.30inch	1
5	:02/192083	Washer thrust top - standard	2
5	02/192011	Washer thrust top-oversize 0.19mm	2
6	:02/192084	Washer thrust bottom - standard	2
6	02/192013	Washer thrust btm-oversize 0.19mm	2
7	02/201972	Rod connecting grade 'H' <i>See Note 1</i>	0
7	02/201973	Rod connecting grade 'J' <i>See Note 1</i>	0
7	02/201974	Rod connecting grade 'K' <i>See Note 1</i>	0
7	02/201975	Rod connecting grade 'L' <i>See Note 1</i>	0
8	:02/201807	Bush	1
9	:02/291072	Bolt	2
10	:02/201808	Thimble	2
11	:02/100128	Nut	2
12	02/201805	Piston assembly	4
12A	02/201790	Piston assembly oversize - +0.5mm	0
12B	02/201792	Piston assembly oversize - +1.00mm	0
13	:02/201151	Circlip	2
14	02/201804	Kit-piston ring	4
14A	02/201791	Kit-piston ring oversize - +0.5mm	0
14B	02/201793	Kit-piston ring oversize - +1.00mm	0
15	02/290001	Gear	1
16	02/100038	Key	2

Note 1: TO ENSURE THE CORRECT GRADE IS SELECTED, REFER TO THE SERVICE WORKSHOP MANUAL.



9802/7630 P1-5-1 FANS, PULLEYS & FAN BELT AR BUILDS

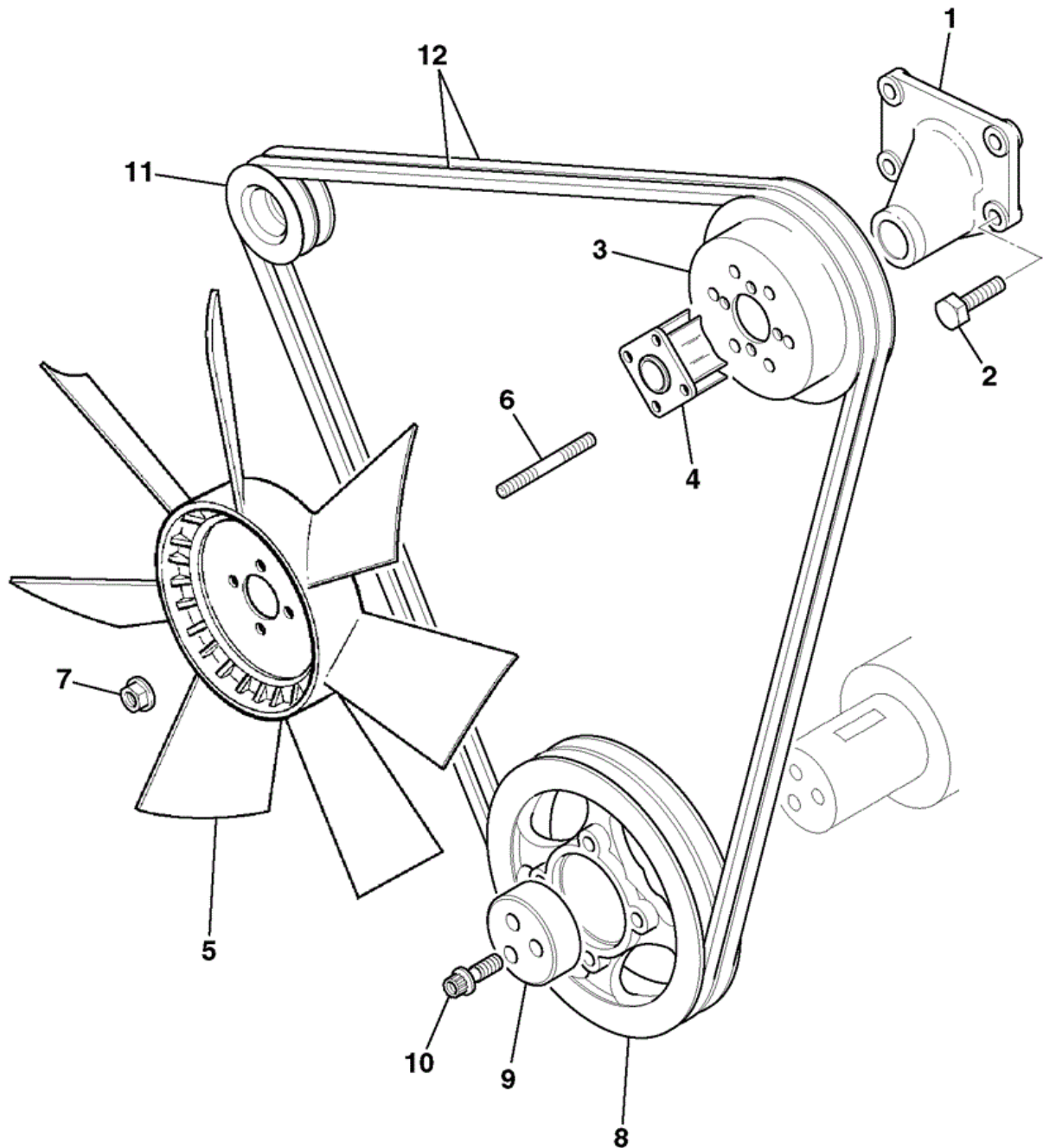


Item	Part #	Change No	Description	Usage Code	QTY
1	02/201357		Housing fan drive, assembly		1
2	02/291041		Bolt		4

3	02/201328		Pulley fan twin groove, 165mm		1
4	02/200739		Belt fan, pair		1
5	02/100097		Spacer fan 50.8mm		1
6	141/18300		Fan cooling, 18" 10 blades		1
7	02/291201		Stud		4
8	1370/0203Z		Nut Nut M8		4
9	02/200018		Pulley crankshaft twin groove		1
10	02/200017		Block Thrust		1
11	02/100579		Screw		3
12	02/200212		Pulley alternator D=86mm single groove		1
13	714/10812		Fan alternator		1
14	714/20405		Kit-sundry parts		1



9802/7630 P1-5-2 FANS, PULLEYS & FAN BELT AR BUILDS

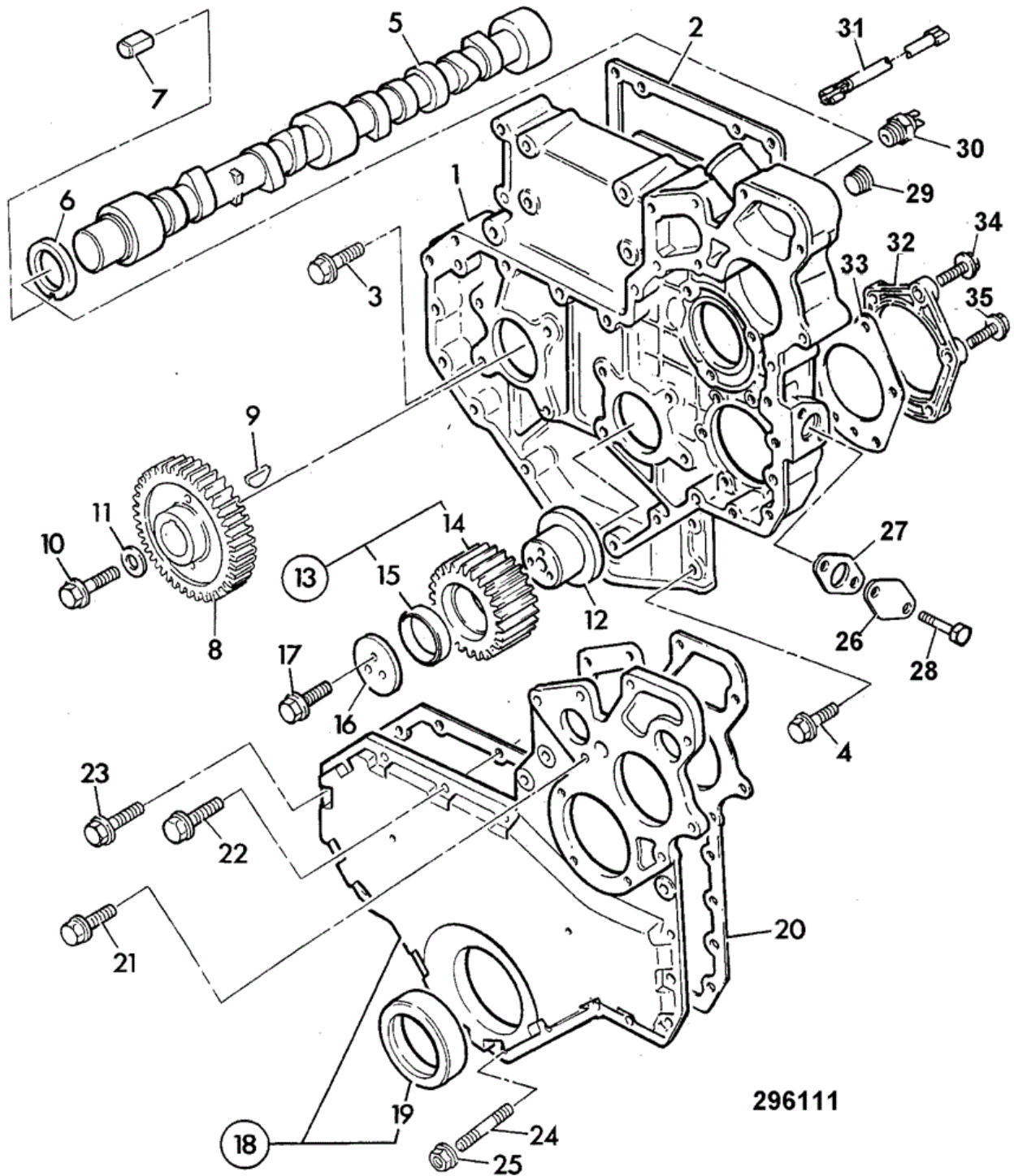


736160

Item	Part #	Change No	Description	Usage Code	QTY
1	02/201357		Housing fan drive, assembly		1
2	02/291041		Bolt		4

3	02/201329		Pulley fan twin groove, 205mm	1
4	02/100097		Spacer fan 50.8mm	1
5	30/925547		Fan 18" Puller 7 blade cooling	1
6	02/291201		Stud	4
7	1370/0203D		Nut Lock M8	4
8	02/200018		Pulley crankshaft twin groove	1
9	02/200017		Block Thrust	1
10	02/100579		Screw	3
11	02/202437		Pulley alternator D=86mm single groove	1
12	02/200738		Belt fan, pair	1

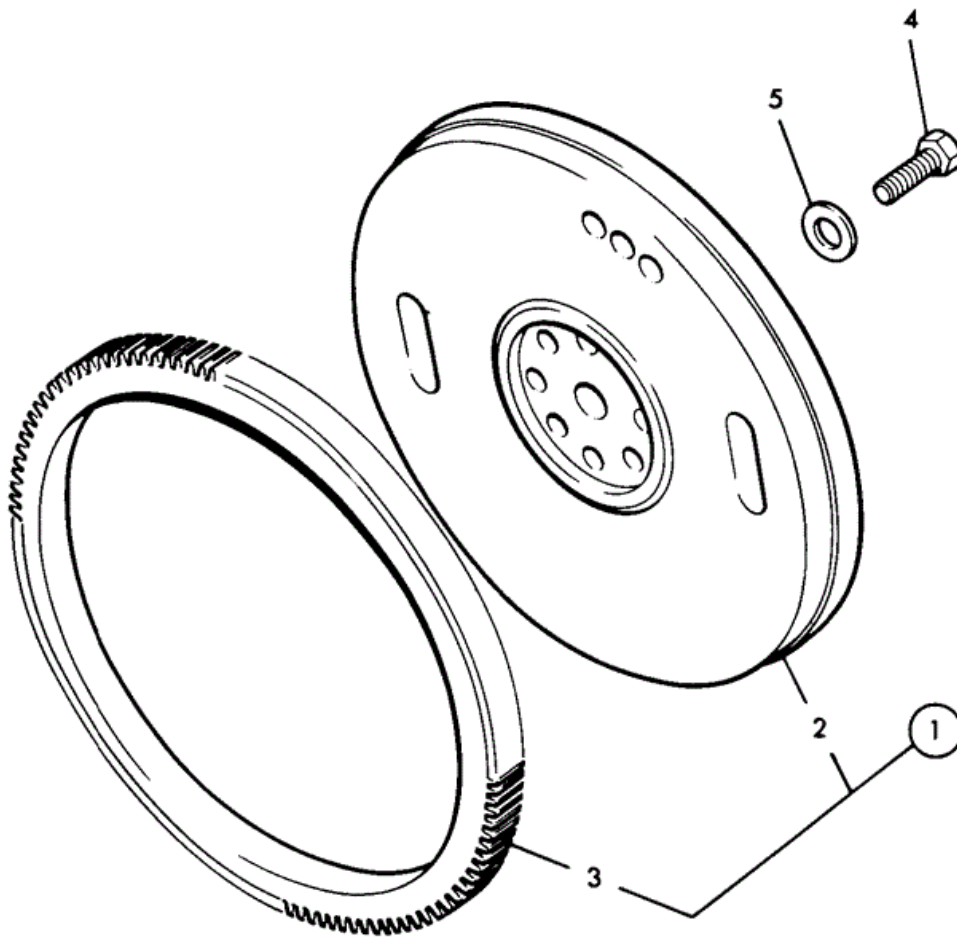
JCB 9802/7630 P1-6-1 TIMING CASE CAMSHAFT & GEARS AR BUILD



Item	Part #	Change No	Description	Usage Code	QTY
1	02/201823		Case timing		1

2	02/200872		Gasket t/case to block	1
3	826/00869		Screw flange head	8
4	02/291033		Bolt	4
5	02/201824		Camshaft	1
6	02/192064		Washer thrust	1
7	2102/0604		Dowel	1
8	02/190034		Gear camshaft	1
9	02/100038		Key	1
10	02/291196		Screw	1
11	02/291065		Washer	1
12	02/100041		Hub	1
13	02/190033		Gear idler assembly	1
14	:N.S.P.		None serviced part <i>Gear</i>	1
15	:02/192016		Bush	2
16	02/201288		Plate	1
17	02/291073		Screw	3
18	02/201720		Cover timing	1
19	:02/101435		Seal front oil	1
20	02/201825		Gasket timing gear cover	1
21	02/291026		Bolt	6
22	02/291018		Bolt	8
23	02/291017		Screw	1
24	02/291052		Stud	2
25	02/291058		Nut flanged M8	2
26	02/200313		Plate blanking	1
27	02/201255		Gasket	1
28	826/00869		Screw flange head	2
29	02/100095		Plug taper	1
30	701/60027		Sender cold start	1
31	721/00447		Lead waxtat cold start	1
32	02/201556		Plate cover	1
33	02/200035		Gasket	1
34	02/291220		Screw	5
35	826/00901		Screw	1

JCB 9802/7630 P1-7-1 FLYWHEEL

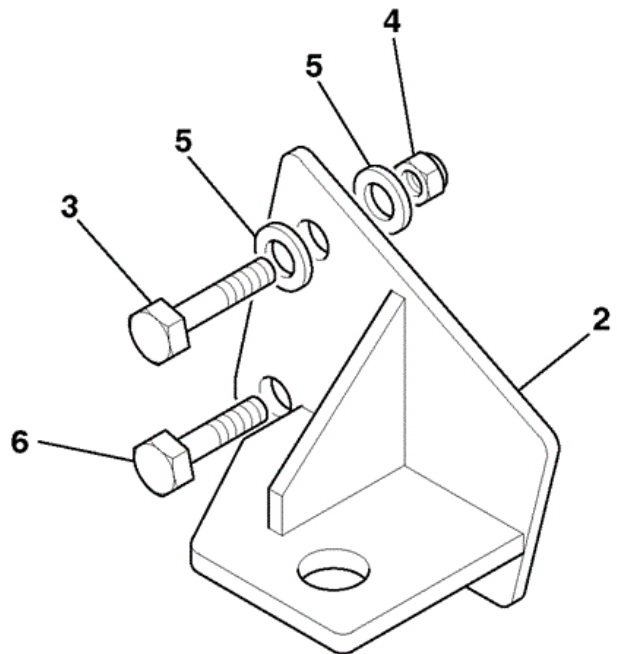
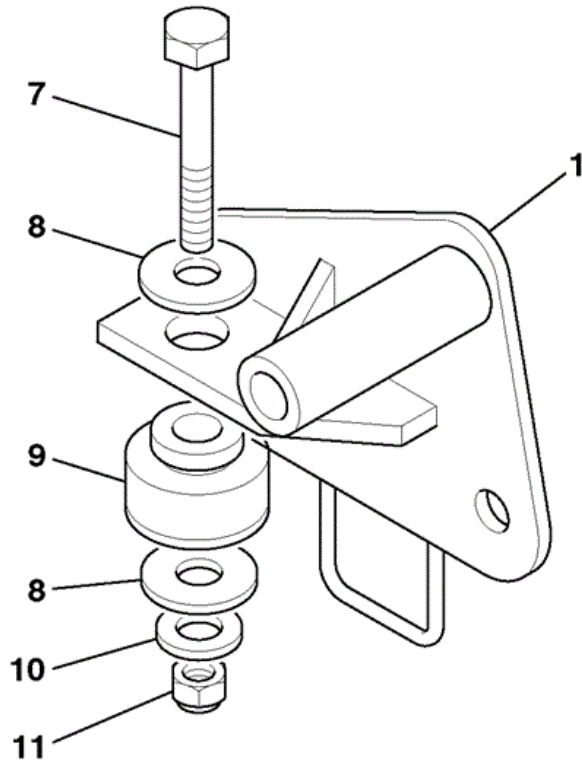


105250

Item	Part #	Change No	Description	Usage Code	QTY
1	02/101737		Flywheel assembly		1
2	****		None serviced part		1
3	:02/100078		Gear starter ring		1
4	02/100570		Setscrew		6
5	02/200725		Washer		6



9802/7630 P1-8-1 ENGINE MOUNTINGS



303900

Item	Part #	Change No	Description	Usage Code	QTY
1	191/84200		Bracket engine mounting left hand		1
1	335/03069		Bracket engine mounting left hand		1

Thank you so much for reading.
Please click the “Buy Now!”
button below to download the
complete manual.



After you pay.

You can download the most
perfect and complete manual in
the world immediately.

Our support email:

ebooklibonline@outlook.com