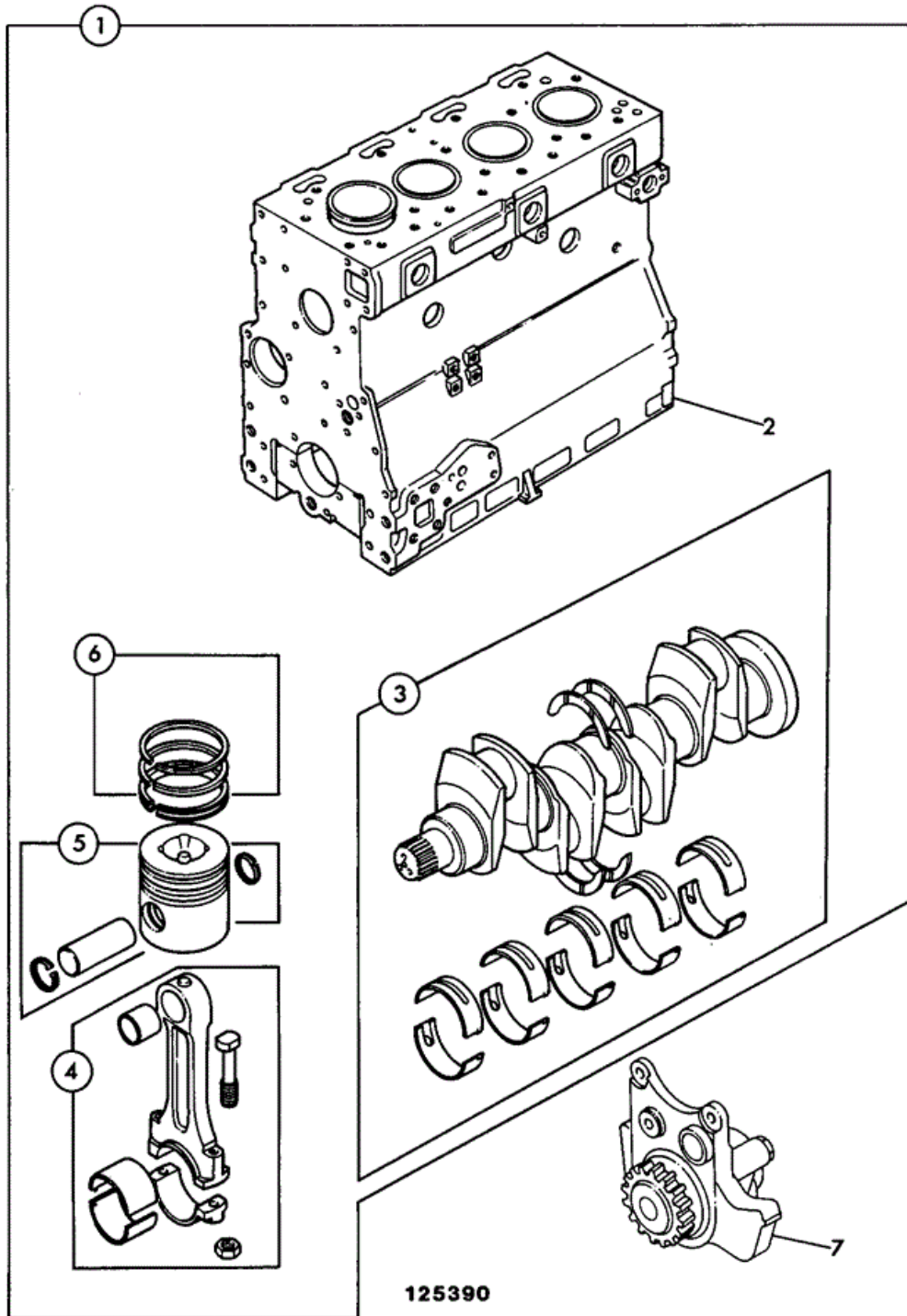




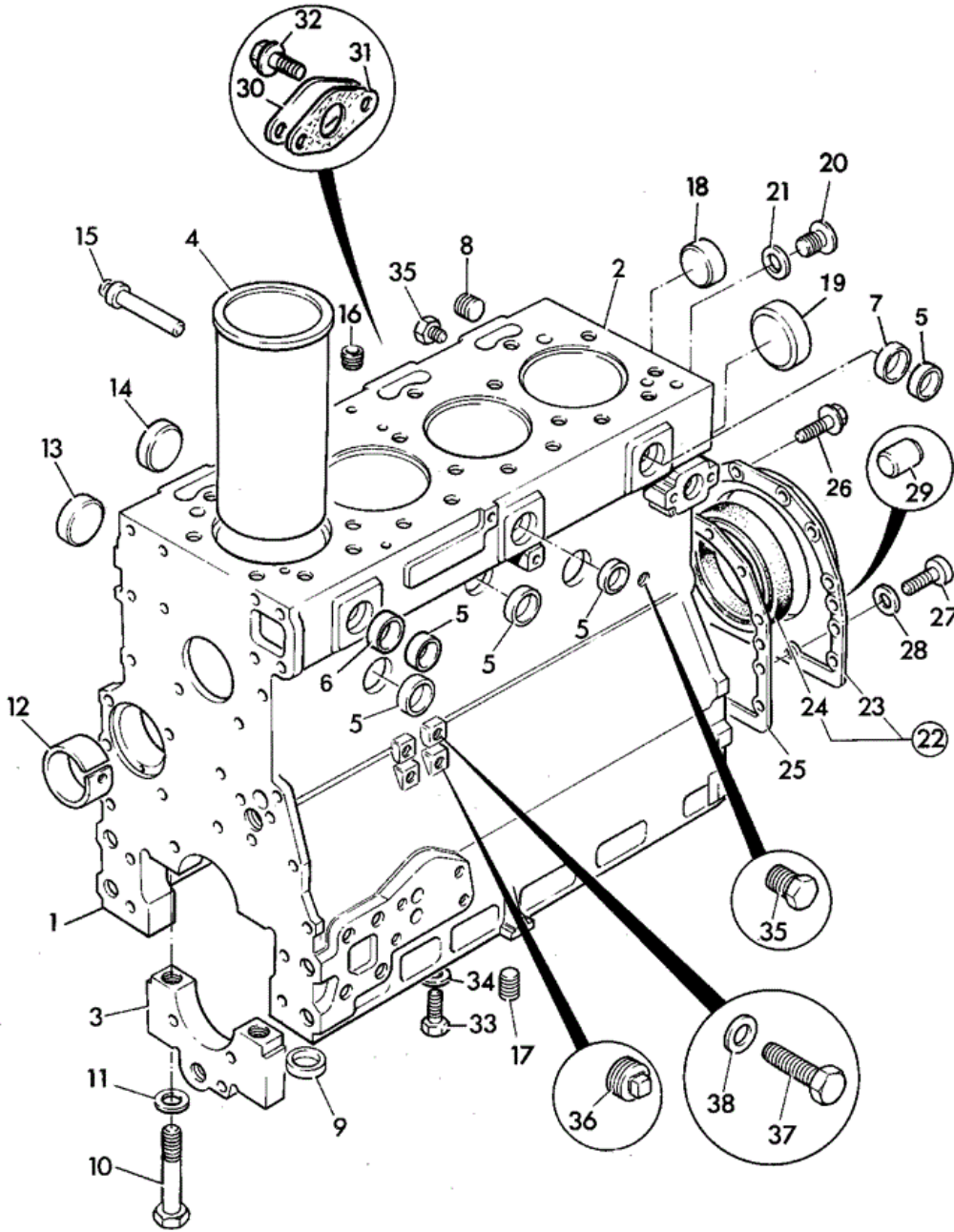
# 9802/7630 N1-2-1 ENGINE SHORT AA BUILD



Item	Part #	Change No	Description	Usage Code	QTY
1	02/200440		Engine short, nat/asp		1
2	****		'See Remark' <i>See frame N1-3-1 - Block assembly</i>		1
3	****		'See Remark' <i>See frame N1-4-1 - Crankshaft assembly</i>		1
4	****		'See Remark' <i>See frame N1-4-1 - Con-rod assembly</i>		4
5	****		'See Remark' <i>See frame N1-4-1 - Piston assembly</i>		4
6	****		'See Remark' <i>See frame N1-4-1 - Piston ring kit</i>		4
7	****		'See Remark' <i>See frame N5-2-1 - Oil pump</i>		1



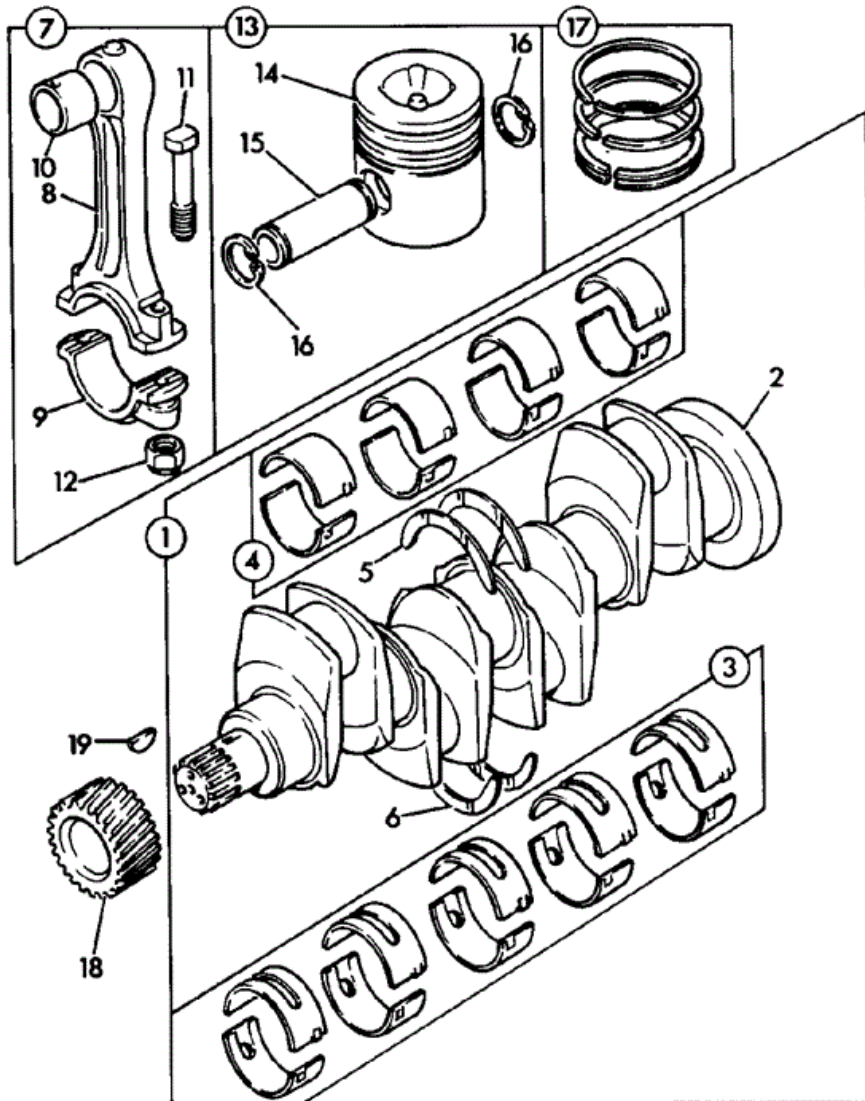
# 9802/7630 N1-3-1 BLOCK ASSEMBLY AA BUILD



173331

Item	Part #	Change No	Description	Usage Code	QTY
1	02/201315		Block cylinder assembly		1
2	****		None serviced part <i>Block</i>		1

3	****		None serviced part <i>Bearing Cap</i>	5
4	:02/200949		Liner cylinder, press fit	4
4	02/200002		Liner cylinder, slip fit	0
5	:02/100396		Plug core D=32mm	6
6	:02/201304		Plug	1
7	:02/200003		Plug core" D=26mm	1
8	:02/100134		Plug	1
9	:02/100101		Thimble	10
10	:02/100102		Bolt	10
11	:02/100615		Washer	10
12	:02/192001		Bush camshaft	1
13	:02/200454		Plug core D=38mm	4
14	:02/200454		Plug core D=38mm	2
15	:02/101827		Plug	1
16	02/100108		Plug	1
17	02/100582		Plug core D=16mm	1
18	02/200454		Plug core D=38mm	4
19	02/100107		Plug core D=50mm	1
20	02/200827		Plug	1
21	02/200828		Washer	1
22	02/200958		Housing rear seal	1
23	****		None serviced part <i>Cover</i>	1
24	:02/101436		Seal rear oil	1
25	02/201092		Gasket rear seal housing	1
26	826/00869		Screw flange head	12
27	1391/3307Z		Capscrew M8x25mm	2
28	02/100307		Washer	2
29	02/100308		Dowel	2
30	02/200004		Plate	1
31	02/200005		Gasket	1
32	02/291031		Bolt	2
33	02/101756		Plug	4
34	823/00287		Washer spacer	4
35	02/100132		Plug drain <i>Water drain</i>	2
35	02/100335		Tap drain <i>Alternative</i>	0
36	826/00765		Plug	1
37	1315/0401Z		Bolt M10 x 10	1
38	823/00273		Washer	1
39	02/100134		Plug	1



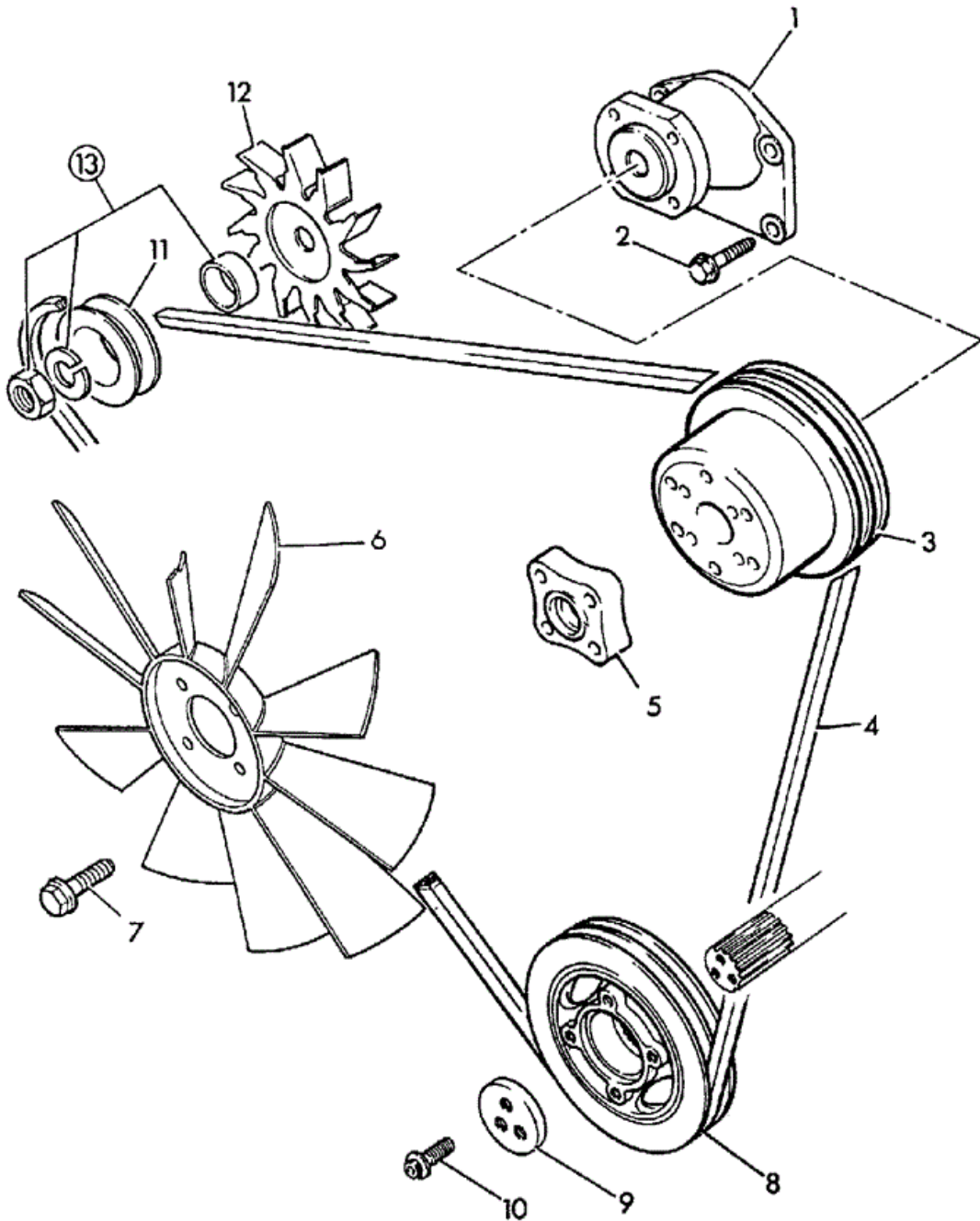
095660

Item	Part #	Change No	Description	Usage Code	QTY
1	02/101825		Crankshaft assembly	P/Ex	1
2	****		None serviced part <i>Crankshaft</i>		1
3	:02/192002		Kit-bearing Main Standard		1
3	02/192003		Kit-bearing Main Undersize - .010inch		1
3	02/192004		Kit-bearing Main Undersize - .020inch		1

3	02/192005		Kit-bearing Main Undersize - .030inch	1
4	:02/192006		Kit-bearing big end standard	1
4	02/192007		Kit-bearing Big end Undersize - .010inch	1
4	02/192008		Kit-bearing Big end Undersize - .020inch	1
4	02/192009		Kit-bearing Big end Undersize - .030inch	1
5	:02/192083		Washer thrust top - standard	2
5	02/192011		Washer thrust top-oversize 0.19mm	2
6	:02/192084		Washer thrust bottom - standard	2
6	02/192013		Washer thrust btm-oversize 0.19mm	2
7	02/101440		Rod assembly Connecting	4
8	****		None serviced part <i>Con-rod</i>	1
9	****		None serviced part <i>Cap</i>	1
10	:02/192015		Bush small end	1
11	:02/291072		Bolt	2
12	:02/100128		Nut	2
13	02/200904	<EU797494C	Piston assembly	4
13A	02/201939	Superseded	Piston assembly	4
13A	M.S.S		Multi Supersession <i>Part N.L.A Use 13B with item 17A</i> <i>See Note 1</i>	1
13B	02/202111		Piston assembly	4
14	****		None serviced part <i>Piston</i>	1
15	****		None serviced part <i>Gudgeon pin</i>	1
16	:2203/1040		Circlip	2
17	02/200192	<EU797494C	Kit-piston ring	4
17A	02/201938	>EU797495C	Kit-piston ring	4
18	02/290001		Gear	1
19	02/100038		Key	1

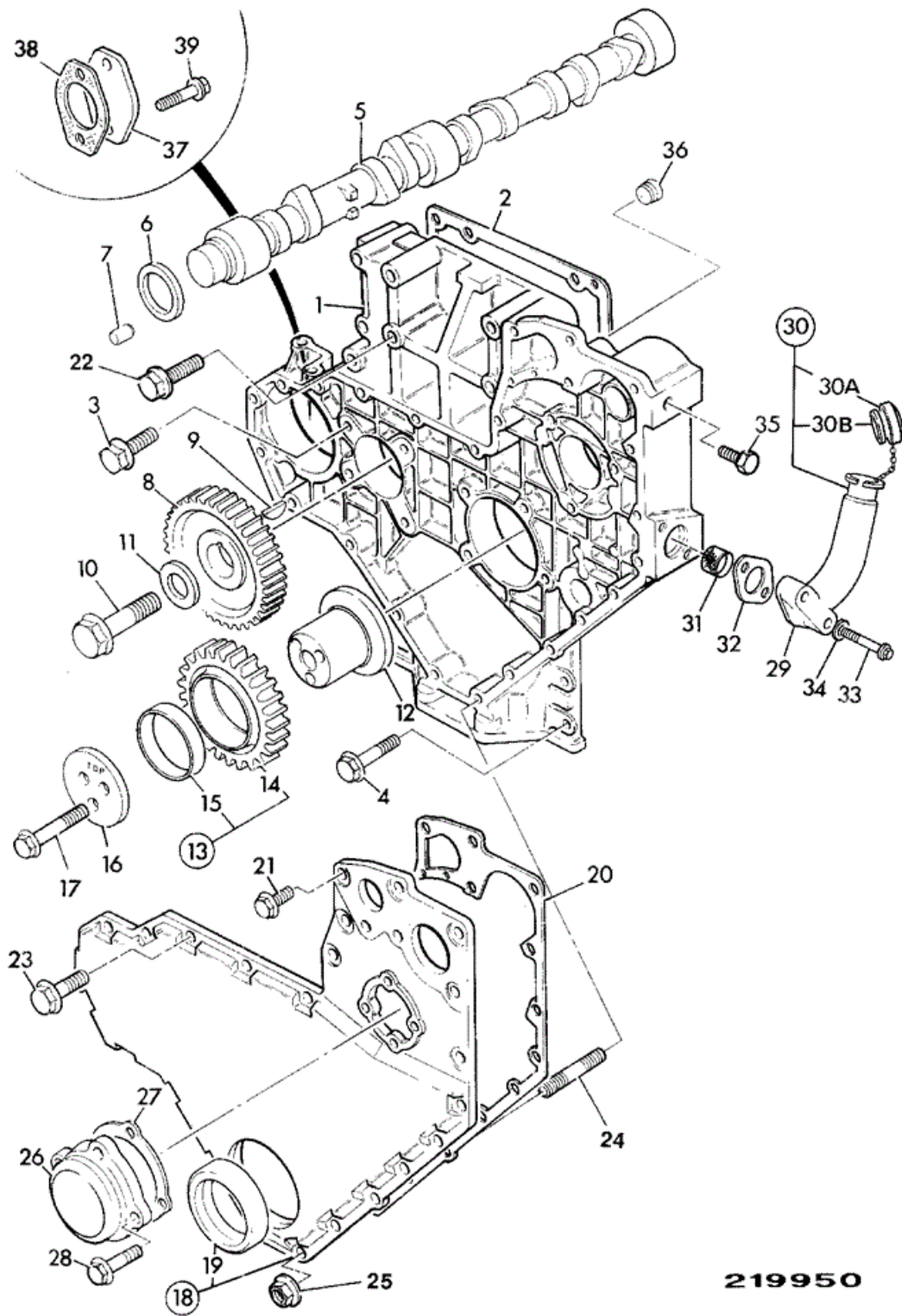
*Note 1: MUST BE FITTED IN ENGINE SETS ONLY.*

**JCB** 9802/7630 N1-5-3 FANS, PULLEYS & FAN BELT AA BUILD



Item	Part #	Change No	Description	Usage Code	QTY
1	02/200370		Housing assembly, fan drive		1
2	02/291041		Bolt		4
3	02/200224		Pulley fan drive		1
4	02/200521		Belt fan, pair		1
5	02/100957		Spacer fan 25.4mm		1
6	141/18300		Fan cooling, 18" 10 blades		1
7	02/291104		Screw		4
8	02/200018		Pulley crankshaft twin groove		1
9	02/200017		Block Thrust		1
10	02/100579		Screw		3
11	02/200212		Pulley alternator D=86mm single groove		1
12	02/200452		Fan alternator		1
13	714/10810		Kit-sundry parts		1





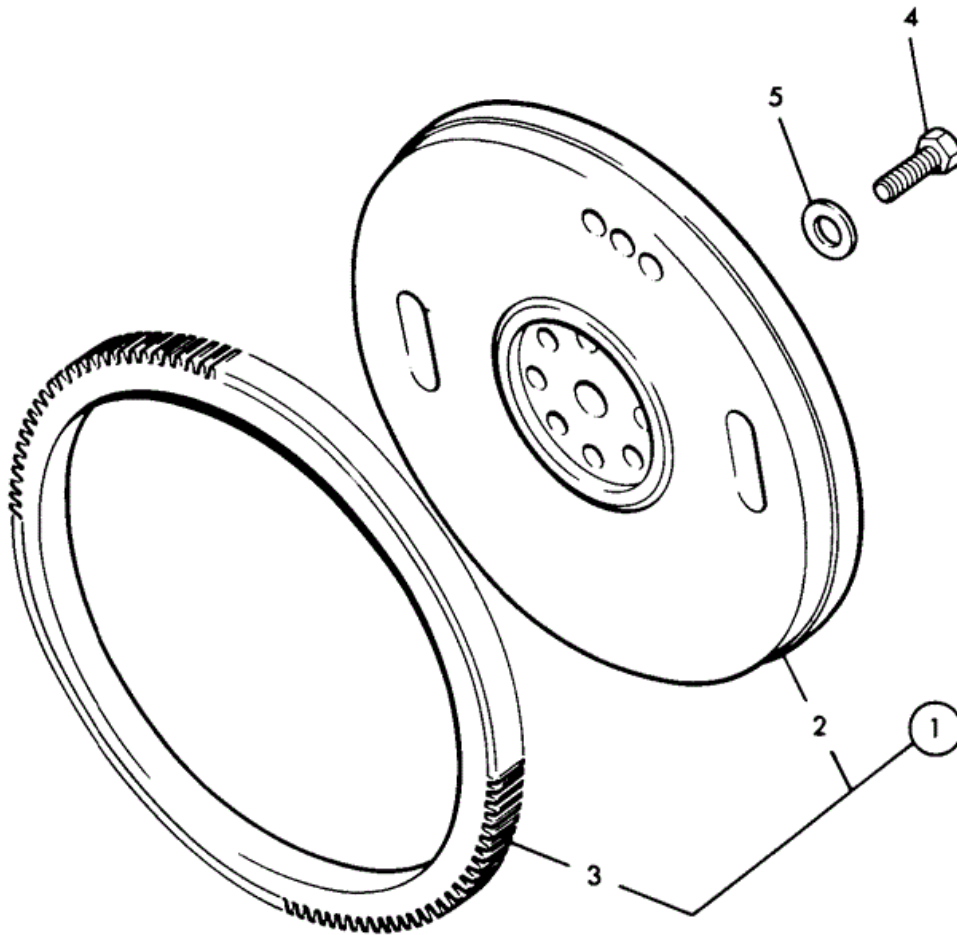
219950

Item	Part #	Change No	Description	Usage Code	QTY
1	02/201136		Case timing		1
2	02/200022		Gasket t/case to block		1
3	826/00869		Screw flange head		8
4	02/291033		Bolt		4
5	02/200023		Camshaft		1

6	02/192064		Washer thrust	1
7	2102/0604		Dowel	1
8	02/190034		Gear camshaft	1
9	02/100038		Key	1
10	02/291047		Bolt	1
11	02/291065		Washer	1
12	02/100041		Hub	1
13	02/190033		Gear idler assembly	1
14	:N.S.P.		None serviced part <i>Gear</i>	1
15	:02/192016		Bush	2
16	02/100042		Plate	1
17	02/291073		Screw	3
18	02/200729		Cover timing case	1
19	:02/101435		Seal front oil	1
20	02/200728		Gasket timing cover	1
21	02/291026		Bolt	6
23	02/291018		Bolt	9
23	02/291017		Screw	1
24	02/291051		Stud	2
25	02/291058		Nut flanged M8	2
26	02/200028		Cover inspection	1
27	02/200029		Gasket inspection cover	1
28	02/291014		Bolt	4
29	123/94600		Tube Oil filler	1
30	258/45200		Cap & filler neck assembly	1
30A	:02/101484		Cap oil filler	1
30B	::02/100421		Seal	1
31	02/200037		Strainer	1
32	813/00350		Gasket	1
33	1315/3313Z		Bolt M8 x 55	2
34	1420/0007Z		Washer (M8)	2
35	02/200829		Plug	1
36	02/100409		Plug taper threaded	1
37	02/200034		Plate	1
38	02/200035		Gasket	1
39	02/291033		Bolt	5
40	02/291037		Bolt	1



## 9802/7630 N1-7-1 FLYWHEEL AA BUILD

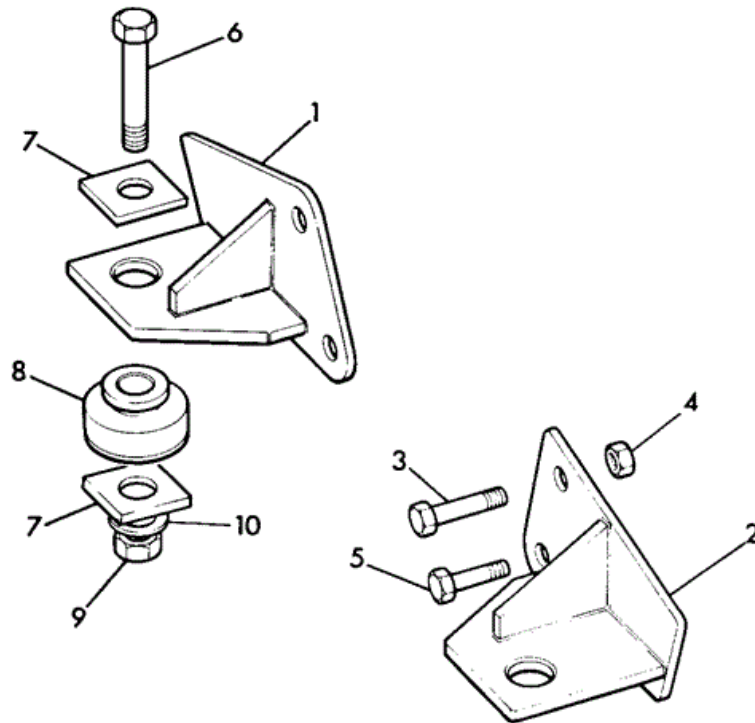


105250

<b>Item</b>	<b>Part #</b>	<b>Change No</b>	<b>Description</b>	<b>Usage Code</b>	<b>QTY</b>
1	02/101737		Flywheel assembly		1
2	****		None serviced part		1
3	:02/100078		Gear starter ring		1
4	02/100570		Setscrew		6
5	02/200725		Washer		6



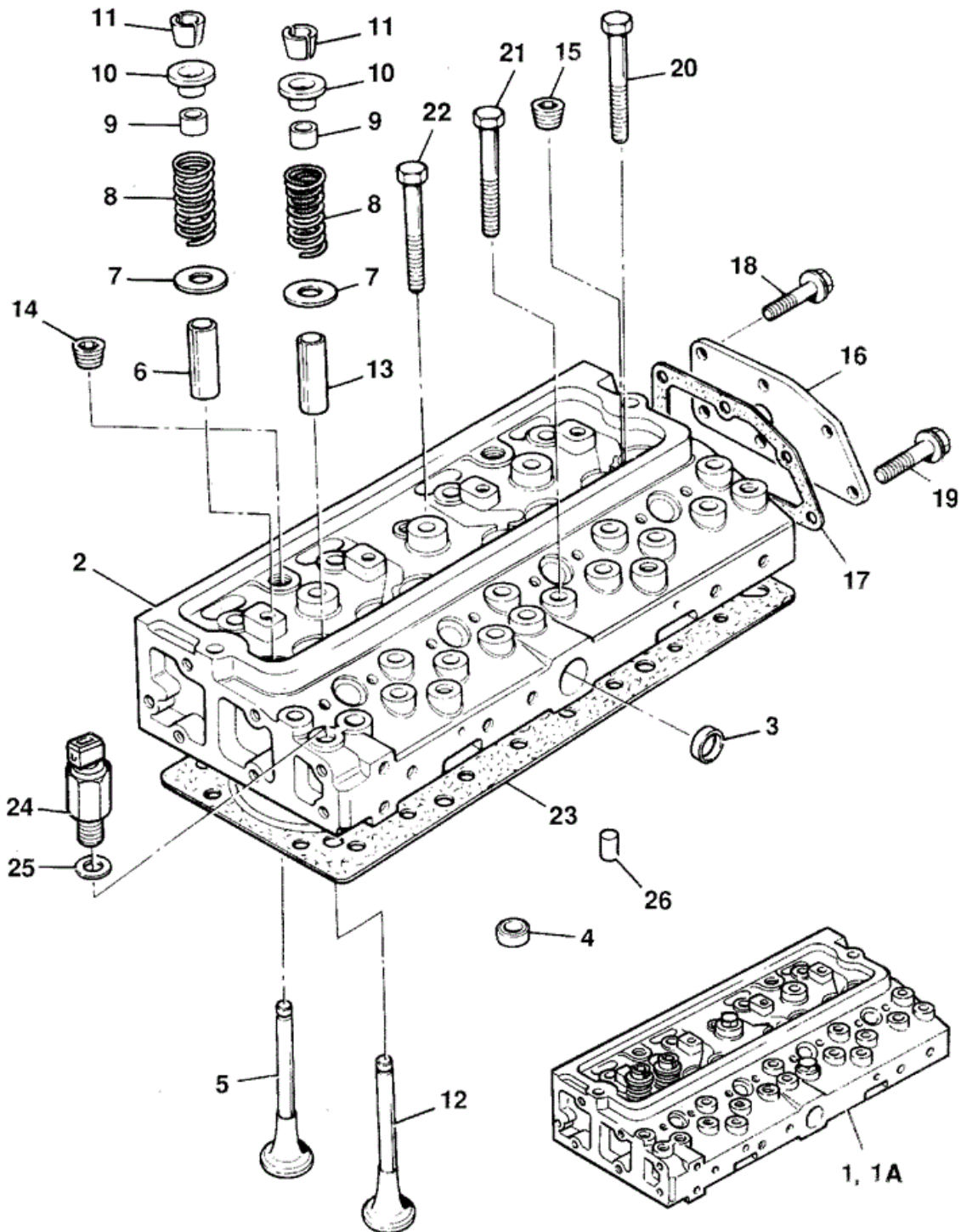
## 9802/7630 N1-8-1 ENGINE MOUNTINGS AA BUILD



095081

Item	Part #	Change No	Description	Usage Code	QTY
1	190/74600		Bracket engine mounting		1
2	190/25500		Bracket engine mounting right hand		1
3	1315/3716Z		Bolt M16 x 70mm		2
4	1370/0603Z		Nut lock M16		2
5	1315/0710Z		Setscrew		2
6	1305/3424Z		Bolt 1/2" x 3.1/4" long		2
7	111/15709	Superseded	Washer		4
7	123/02453		Washer Rebound (13.5mm x 65mm x 5mm)		2
8	111/30101		Mounting metalastik		2
9	1340/0403Z		Nut lock		2
10	1411/0005Z		Washer (1/2" Medium)		2

**JCB** 9802/7630 N2-1-1 CYLINDER HEAD AA BUILD



235780

Thank you so much for reading.  
Please click the “Buy Now!”  
button below to download the  
complete manual.



After you pay.

You can download the most  
perfect and complete manual in  
the world immediately.

Our support email:

[ebooklibonline@outlook.com](mailto:ebooklibonline@outlook.com)