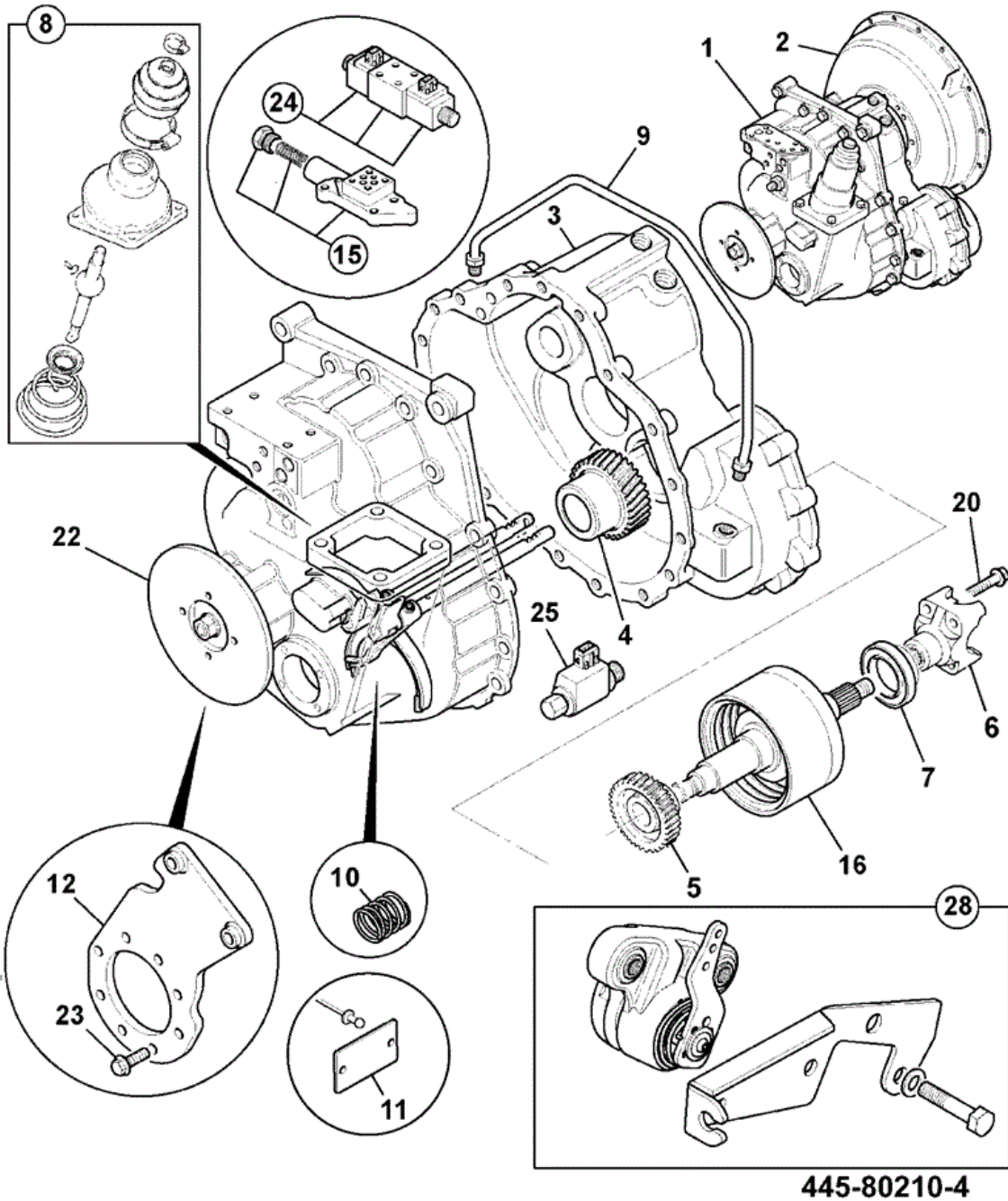


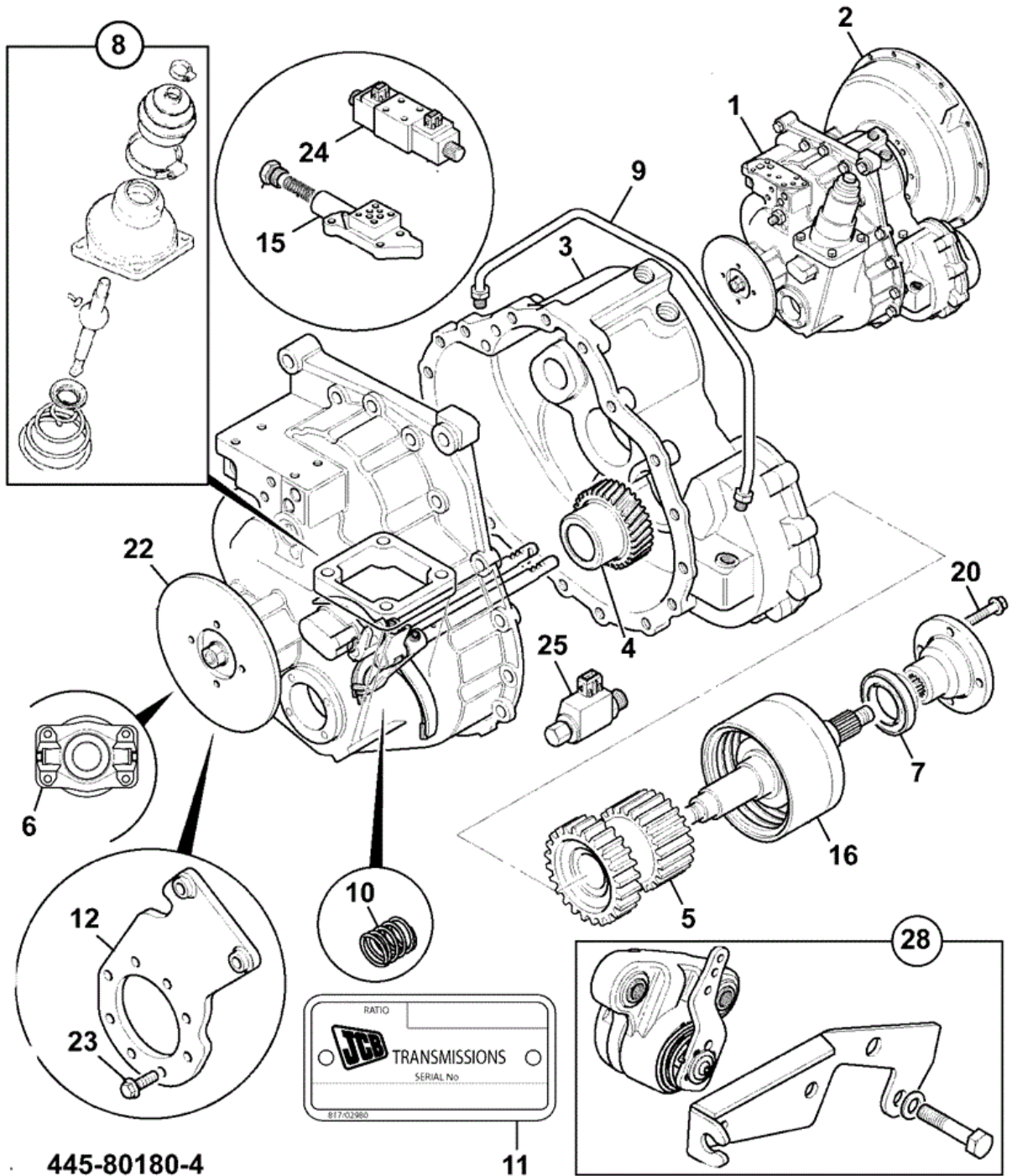
JCB 9822/0825 F500-1-1 SYNCHROSHUTTLE GEARBOX
 INSTALLATION ASSEMBLIES COMPONENTS SS600



Item	Part #	Change No	Description	Usage Code	QTY
1	445/76600		Gearbox common components 4WD, NSP		1

2	459/M0304	Housing Flywheel SAE3	1
3	459/30376	Casing Front SAE3	1
4	445/06101	Gear input 21 teeth	1
5	459/50843	Gear output 37 teeth	1
6	445/10703	Yoke Coupling	1
7	904/20172	Seal Triple Lip, To Suit 55.0/54.81 Shaft Brown	1
8	445/05300	Lever Assembly	1
9	445/28200	Pipe male ended M12 thread	1
10	814/00406	Spring	1
12	331/16159	Bracket brake caliper mount Hayes caliper	1
15	445/07300	Adapter Block Assembly	1
16	459/10119	Clutch Assembly 4WD	1
20	826/01553	Bolt Setscrew	1
22	460/12001	Flange disc 22 teeth	1
23	826/01080	Bolt	7
24	25/220998	Valve Solenoid Assembly	1
25	25/220992	Valve solenoid assembly	1
28	459/10251	Caliper reaction bracket assembly	1

JCB 9822/0825 F500-10-1 SYNCHROSHUTTLE GEARBOX INSTALLATION ASSEMBLIES COMPONENTS 4 WHEEL DRIVE

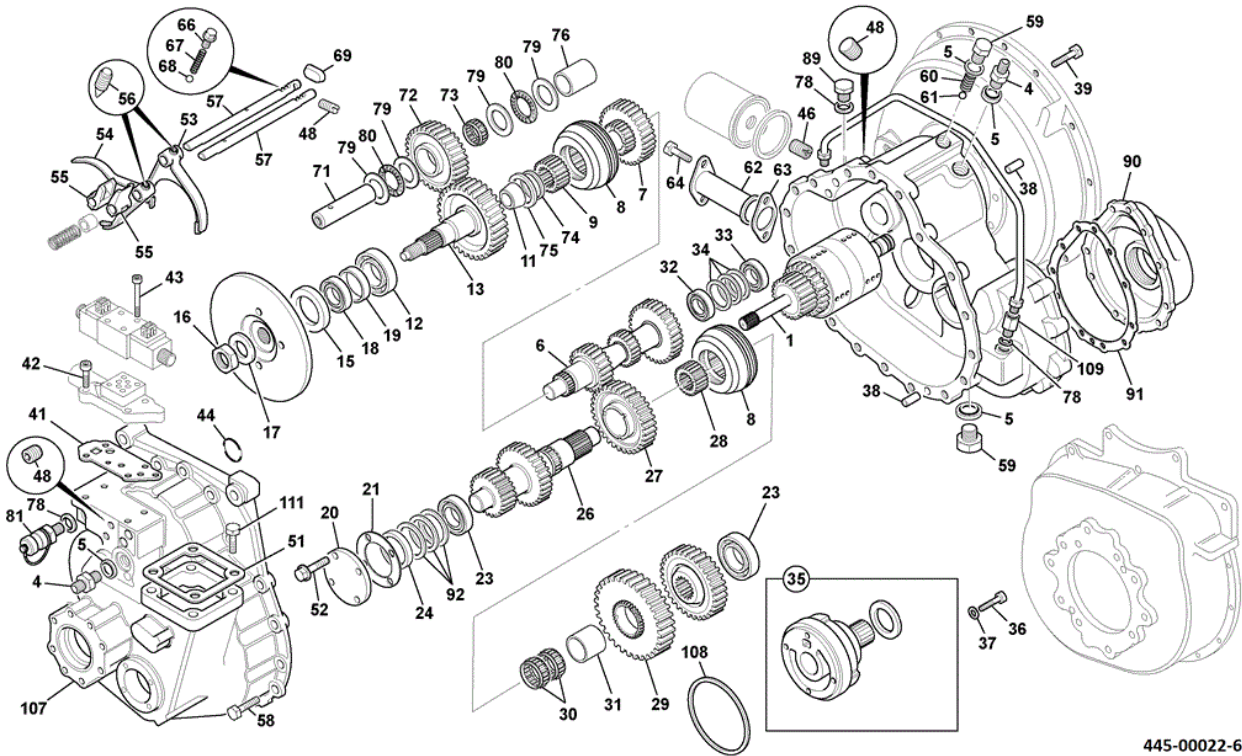


Item	Part #	Change No	Description	Usage Code	QTY
1	445/76600		Gearbox common components 4WD, NSP		1

2	459/M0304	Housing Flywheel SAE3	1
3	459/30376	Casing Front SAE3	1
4	445/05901	Gear input 26 teeth	1
5	459/50664	Carrier Gear & Plate, 32 Teeth	1
6	445/10703	Yoke Coupling	1
7	904/20172	Seal Triple Lip, To Suit 55.0/54.81 Shaft Brown	1
8	445/05300	Lever Assembly	1
9	445/28200	Pipe male ended M12 thread	1
10	814/00406	Spring	1
12	331/16159	Bracket brake caliper mount Hayes caliper	1
15	445/07300	Adapter Block Assembly	1
16	459/10119	Clutch Assembly 4WD	1
20	826/01553	Bolt Setscrew	1
22	460/12001	Flange disc 22 teeth	1
23	826/01080	Bolt	7
24	25/220998	Valve Solenoid Assembly	1
25	25/220992	Valve solenoid assembly	1
28	459/10251	Caliper reaction bracket assembly	1



9822/0825 F520-1-1 COMMON PARTS CLUTCH S/R, 4 WHEEL DRIVE



445-00022-6

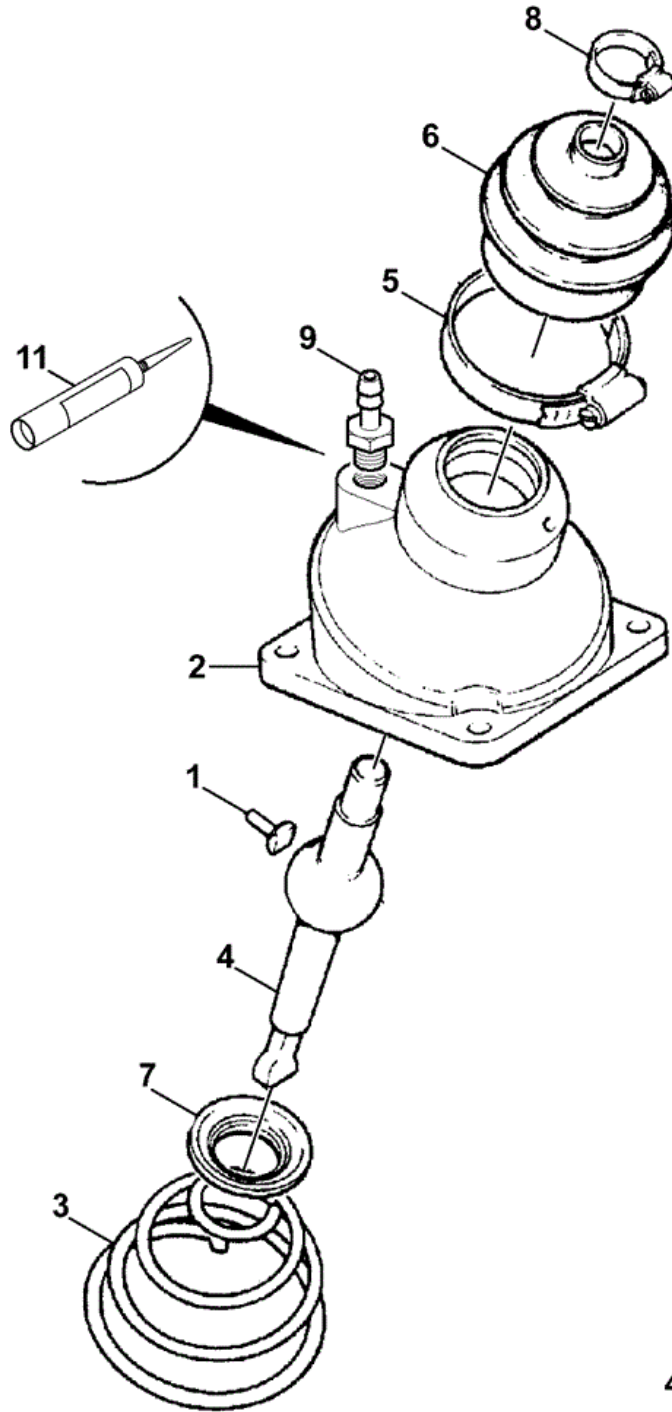
Item	Part #	Change No	Description	Usage Code	QTY
1	445/73500		Clutch Reverser Assembly		1
4	1606/0017		Adapter 5/8" x 1/2" M/M		2
5	1406/0018		Washer Bonded (1/2" BSP)		5
6	445/03014		Shaft main		1
7	445/03007		Gear 31T - 3rd		1
8	445/03300		Synchroniser Assembly		2
9	445/03003		Sleeve		1
11	907/51500		Bearing w/o outer case		1
12	907/20045		Bearing taper roller		1
13	445/64401		Gear 36T		1
15	904/05100		Seal		1
16	826/01551		Nut Stake M30 (46mm Head)		1
17	823/00331		Washer (31.3mm x 55.5mm x 4mm)		1
18	907/51600		Bearing Taper Roller		1
19	921/53400		Kit set of spacers From 12.625 To 14.200 Thick		1
20	445/75702		Cover end		1
21	813/50056		Gasket		1
23	907/52800		Bearing Tapper Roller 35 x 65 x 18		2
24	445/70402		Spacer		1
26	459/50204		Layshaft STD ratio SS750		1

27	459/50202		Gear 2nd SS750		1
28	445/03010		Sleeve Hub Shaft		1
29	445/03012		Gear		1
30	917/02300		Bearing Needle Roller		3
31	917/00008		Bearing Inner Race		1
32	907/09700		Bearing		1
33	445/13704		Spacer		1
34	921/02200		Kit-shim		1
35	20/925327		Pump		1
36	1315/3311Z		Bolt (M8 X 45)		4
37	823/00291		Washer Copper M8		4
38	445/14001		Dowel		6
39	1315/0409Z		Setscrew M10 x 35		12
41	813/10175		Gasket Valve Block		1
42	1392/3207		Capscrew		4
43	1391/3108Z		Capscrew M5 X 30mm		4
44	828/10222		O Ring 20 x 1.6mm		2
46	816/15184		Adapter 1/2"BSPx1"UNF		1
47	826/M1731		Rivet pop		2
48	816/80052		Plug Taper 1/4" BSP		6
51	813/50042		Gasket		1
52	826/01416		Screw micro-encapsulated		4
53	445/26101		Fork selector		1
54	459/30299		Fork selector 3rd		1
55	459/70199		Block Selector		2
56	826/M3831		Screw locking		4
57	459/M2082		Shaft selector		2
58	826/01417		Setscrew flanged M10 x 30		28
59	816/80041		Plug 1/2"BSP 25.65mm A/F		3
60	814/00222		Spring		1
61	916/00008		Bearing 14diameter Ball		1
62	32/902200		Strainer Suction		1
63	813/50027		Gasket		1
64	1321/0303Z		Screw M8 x 16		2
66	816/80057		Plug detent		2
67	814/00354		Spring		2
68	916/00006		Ball 11mm dia		2
69	445/03031		Roller Baulk		1
71	459/70087		Shaft Idler		1
72	459/50440		Gear Idler, 35T		1
73	917/02400		Bearing Needle Roller		1
74	445/64302		Spacer mainshaft seal		1
75	904/50027		Seal Oil Baffle		1
76	445/19002		Spacer		1
78	1406/0011		Washer Bonded (1/4")		3
79	823/00451		Washer Thrust (38.1mm x 55.55mm x 1.55mm)		4
80	917/51400		Bearing Needle Thrust		2
81	45/905000		Adapter Pressure Test 1/4BSP Male		1
89	816/82009		Plug M12 (Washer 1406/0011)		1
90	459/30451		Cover 4WD clutch		1
91	813/50048		Gasket		1

92	445/04700		Kit-shim		3
107	459/30377		Casing rear		1
108	813/50041		Seal Rear		1
109	445/66100		Valve non-return male/female		1
111	826/01361		Setscrew		4
114	835/10095		Cap Protection Valve		3
115	917/10000		Bearing Needle Roller		1



9822/0825 F530-1-1 GEARLEVER TURRET DETAILS

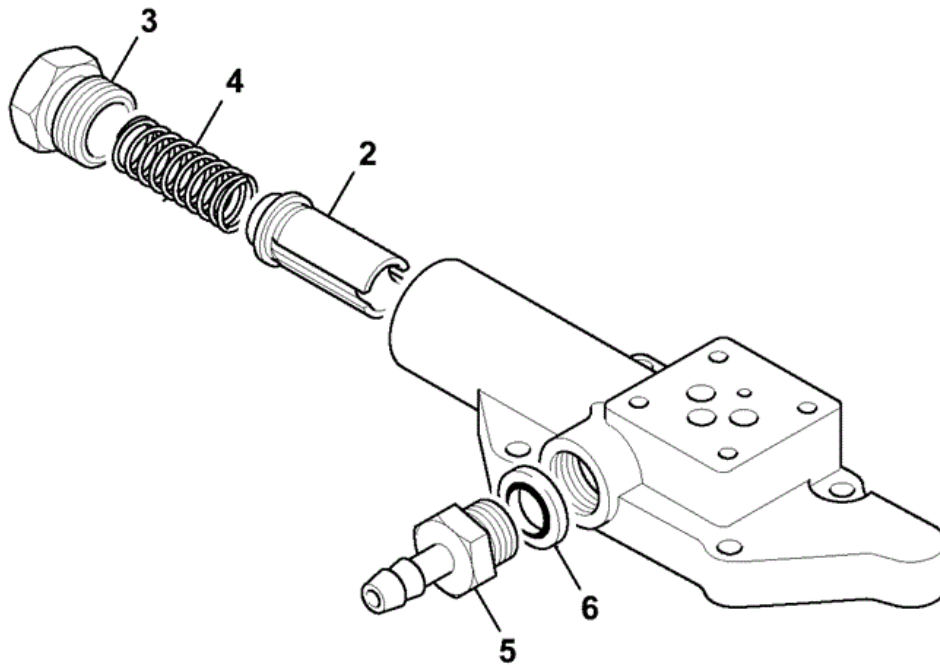


445-05300-5

Item	Part #	Change No	Description	Usage Code	QTY
A	445/05300		Lever Assembly		1
1	:445/03023		Pin Pivot		1
2	:445/03019		Housing		1

3	:814/00221		Spring Gear Lever	1
4	:445/03022		Lever gear shift	1
5	:445/05301		Clip	1
6	:445/03021		Gaiter gear change	1
7	:445/03020		Retainer Spring	1
8	:445/05302		Clip	1
9	N/A		Not applicable not available	1
11	4102/1200		Sealant <i>QTY:A/R</i>	0

JCB 9822/0825 F590-1-1 OTHER SS PARTS ADAPTOR BLOCK
ASSEMBLY

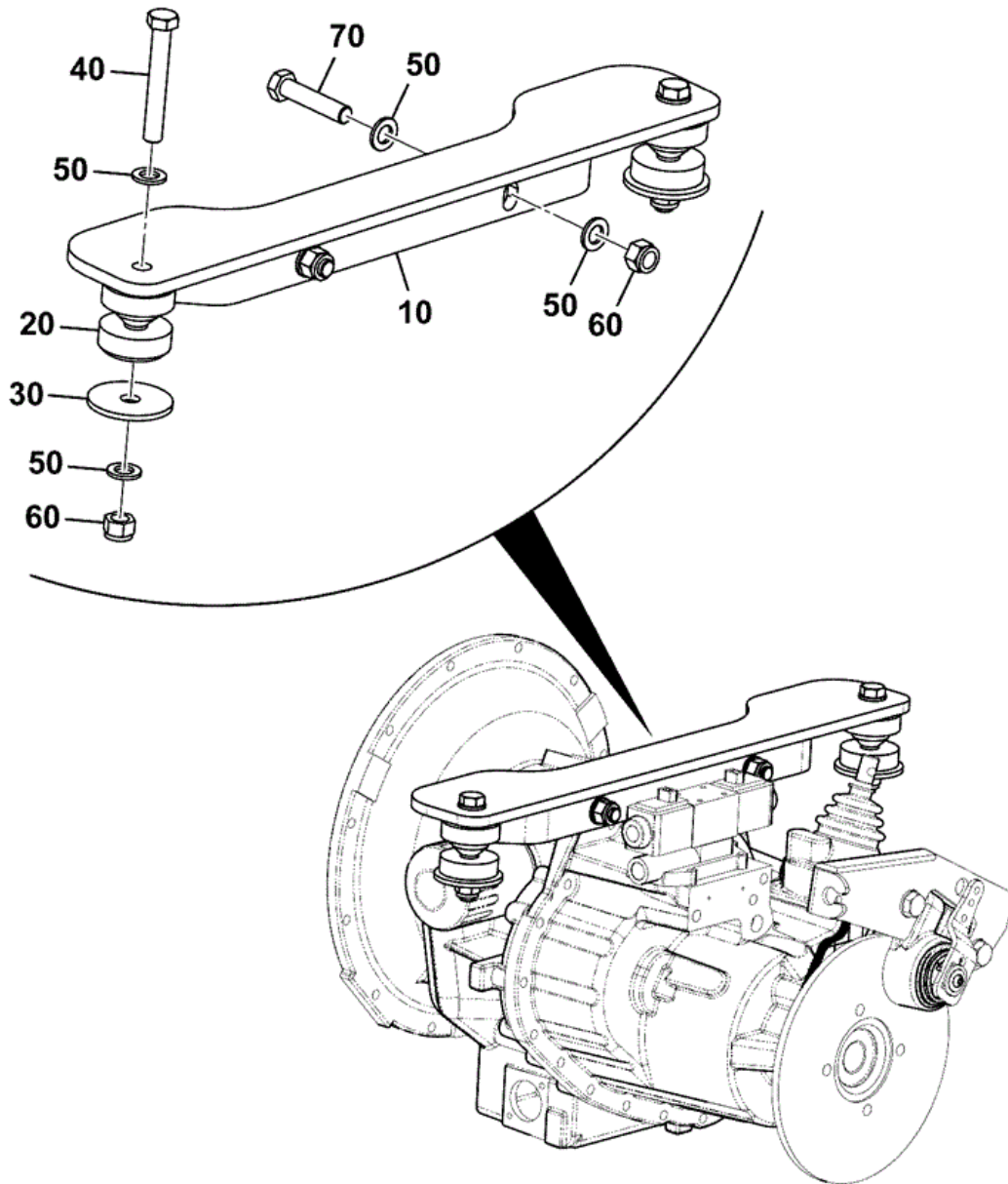


445-07300-13

Item	Part #	Change No	Description	Usage Code	QTY
A	445/07300		Adapter Block Assembly		1

2	459/70168		Spool Adapter Solenoid		1
3	816/80061		Plug		1
4	814/00407		Spring		1
5	816/60286		Adapter		1
6	1406/0008		Seal Washer		1

JCB 9822/0825 F590-5-1 OTHER SS PARTS MOUNTINGS
GEARBOX



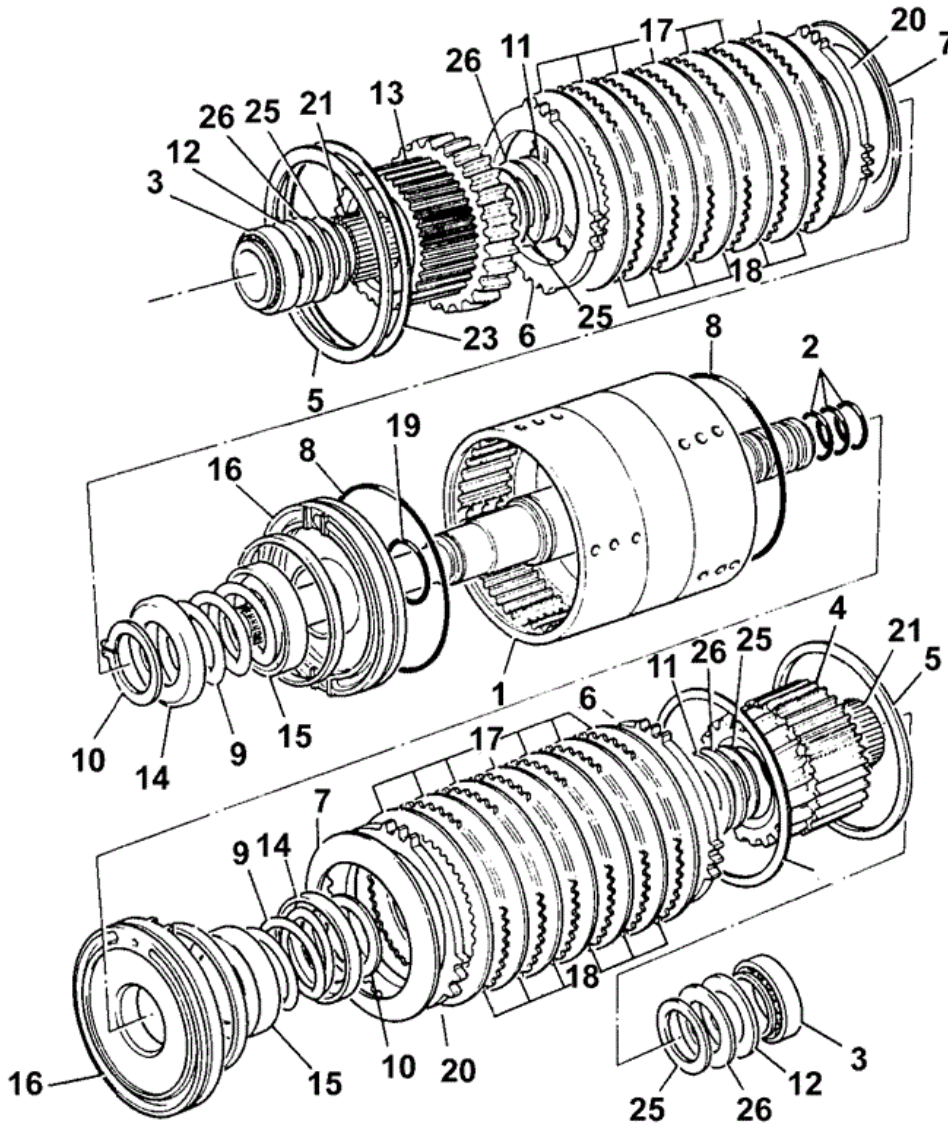
334-S6508-1

Item	Part #	Change No	Description	Usage Code	QTY
10	335/12277		Mounting Transmission		1

20	242/00392		Mount Engine		2
30	120/16902		Plate Rebound		2
40	1315/3721D		Bolt M16 x 110		2
50	1420/0011D		Washer (M16)		8
60	1370/0603D		Nut -Lock Nut, M16		4
70	1315/3717D		Bolt M16x75		2



9822/0825 F630-1-1 REVERSER CLUTCH ASSEMBLY SS600



445-73500-17

Item	Part #	Change No	Description	Usage Code	QTY
A	445/73500		Clutch Reverser Assembly		1
1	****		Housing Clutch -SS600 Heavy Duty Circlip		1
2	904/50020		Seal Ring 35mm Dia		4

3	907/52700	Bearing -Taper Roller	2
4	449/02001	Housing Gear-22T & Plate Support	1
5	2203/1115	Circlip	2
6	331/31561	Plate Pressure 6mm	2
7	449/10501	Disc Spring Splined	2
8	828/00414	O Ring 123.5mm I/D	2
9	814/00297	Spring Compression	2
10	821/00523	Circlip	2
11	445/12303	Washer Thrust	2
12	445/03209	Washer Thrust (40.05mm x 60mm 3.5mm)	2
13	449/02002	Housing Plate Carrier Assy 31T & 45T	1
14	445/12304	Retainer spring	2
15	445/12305	Baffle Plate, Oil	2
16	445/M2158	Piston -Clutch	2
17	445/03205	Plate Friction	12
18	445/12307	Plate Counter	10
19	828/00224	O Ring 39.7mm I/D X 3.53mm	2
20	331/31560	Plate Pressure 4mm	2
21	917/02700	Bearing Needle Roller	2
23	445/12314	Shim plate, Toothed	0
25	445/26108	Washer Thrust (40.25mm x 60mm x 1mm)	4
26	917/02800	Bearing Thrust	4

Thank you so much for reading.
Please click the “Buy Now!”
button below to download the
complete manual.



After you pay.

You can download the most
perfect and complete manual in
the world immediately.

Our support email:

ebooklibonline@outlook.com