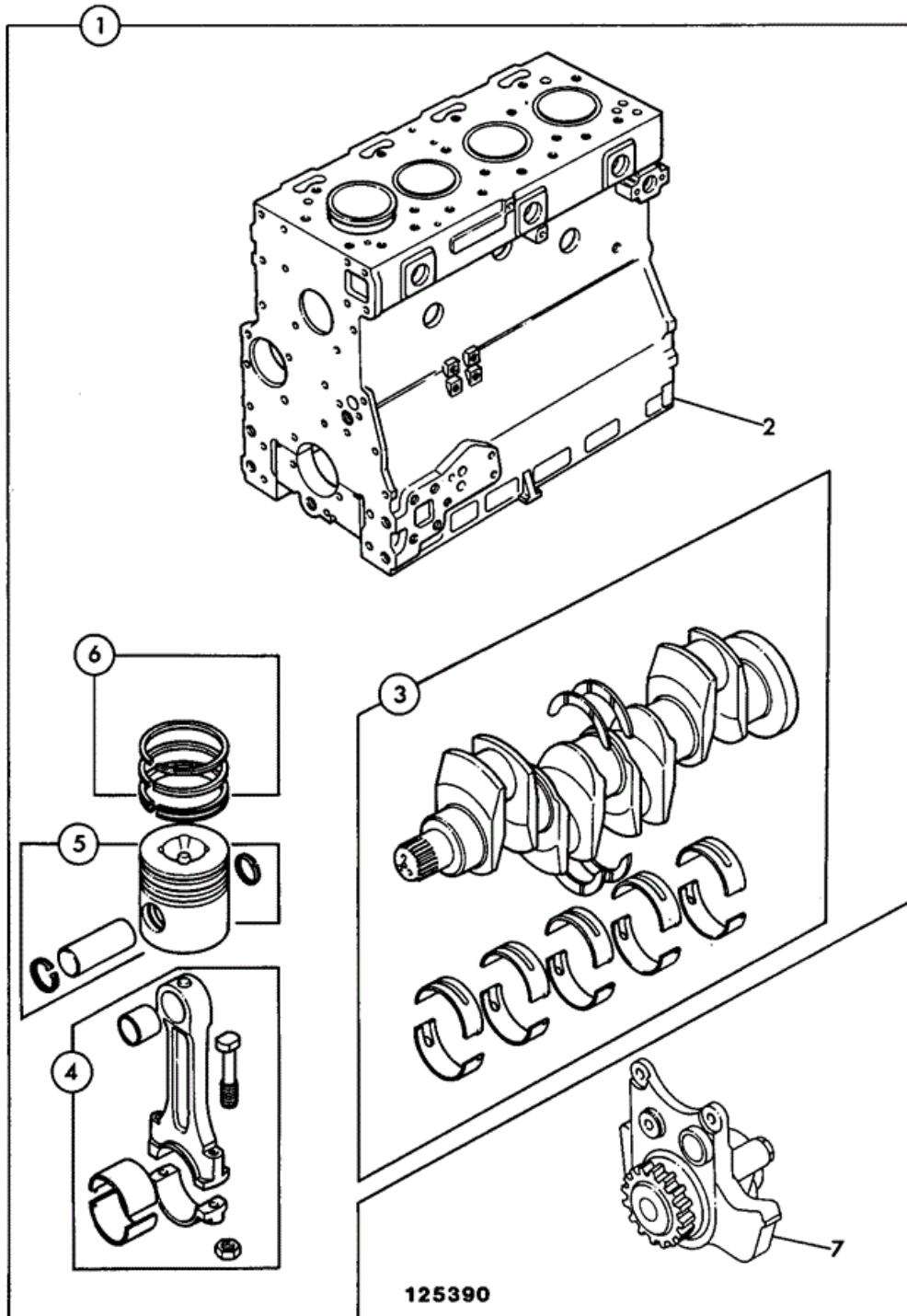




# 9802/7620 N1-2-1 ENGINE SHORT AA BUILD

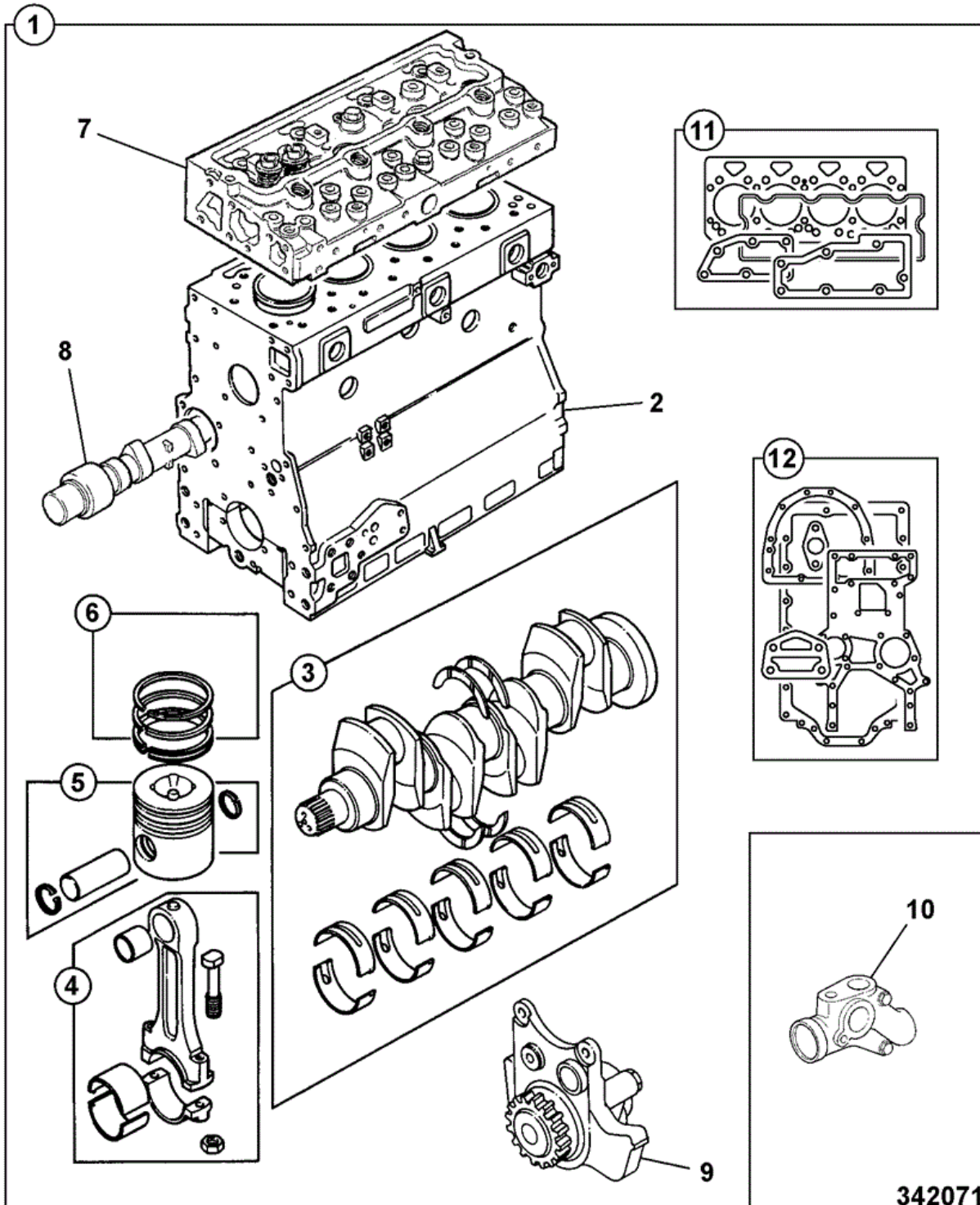


Item	Part #	Change No	Description	Usage Code	QTY
1	02/200440		Engine short, nat/asp		1
2	****		'See Remark' <i>See frame N1-3-1 - Block assembly</i>		1
3	****		'See Remark' <i>See frame N1-4-1 - Crankshaft assembly</i>		1
4	****		'See Remark' <i>See frame N1-4-1 - Con-rod assembly</i>		4
5	****		'See Remark' <i>See frame N1-4-1 - Piston assembly</i>		4
6	****		'See Remark' <i>See frame N1-4-1 - Piston ring kit</i>		4
7	****		'See Remark' <i>See frame N5-2-1 - Oil pump</i> <i>See Note 1</i>		1

*Note 1: Not included in item 1.*



# 9802/7620 N1-2-2 ENGINE, LONG AA BUILD



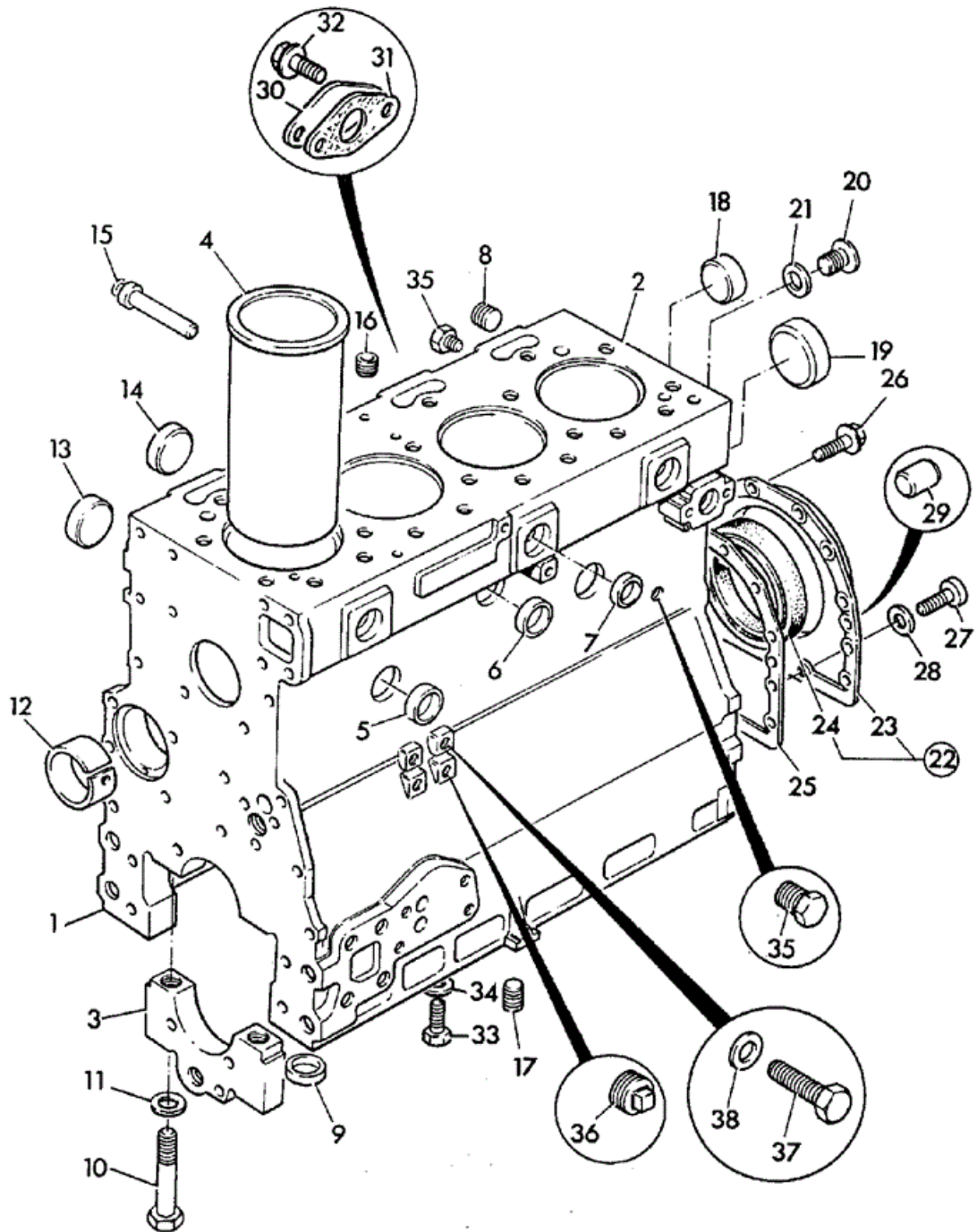
342071

Item	Part #	Change No	Description	Usage Code	QTY
1	02/202530		Engine long AA build		1
2	****		'See Remark' <i>See frame N1-3-1, Block Assembly</i>		1

3	****		'See Remark' <i>See frame N1-4-1, Crankshaft assembly</i>	1
4	****		'See Remark' <i>See frame N1-4-1, Con-rod assembly</i>	4
5	****		'See Remark' <i>See frame N1-4-1, Piston assembly</i>	4
6	****		'See Remark' <i>See frame N1-4-1, Piston ring kit</i>	4
7	****		'See Remark' <i>See frame N2-1-1, Cylinder head</i>	1
8	****	<EU567032V	'See Remark' <i>See frame N1-6-1, Timing case</i>	1
8	****	>EU567033V	'See Remark' <i>See frame P1-6-1, Timing case</i>	1
9	****		'See Remark' <i>See frame N5-2-1, Oil pump</i>	1
10	****		'See Remark' <i>See frame N5-2-1 Oil relief valve</i>	1
11	****		'See Remark' <i>See frame N8-1-1, Gasket set</i>	1
12	****		'See Remark' <i>See frame N8-1-1, gasket set</i>	1



# 9802/7620 N1-3-1 BLOCK ASSEMBLY AA BUILD

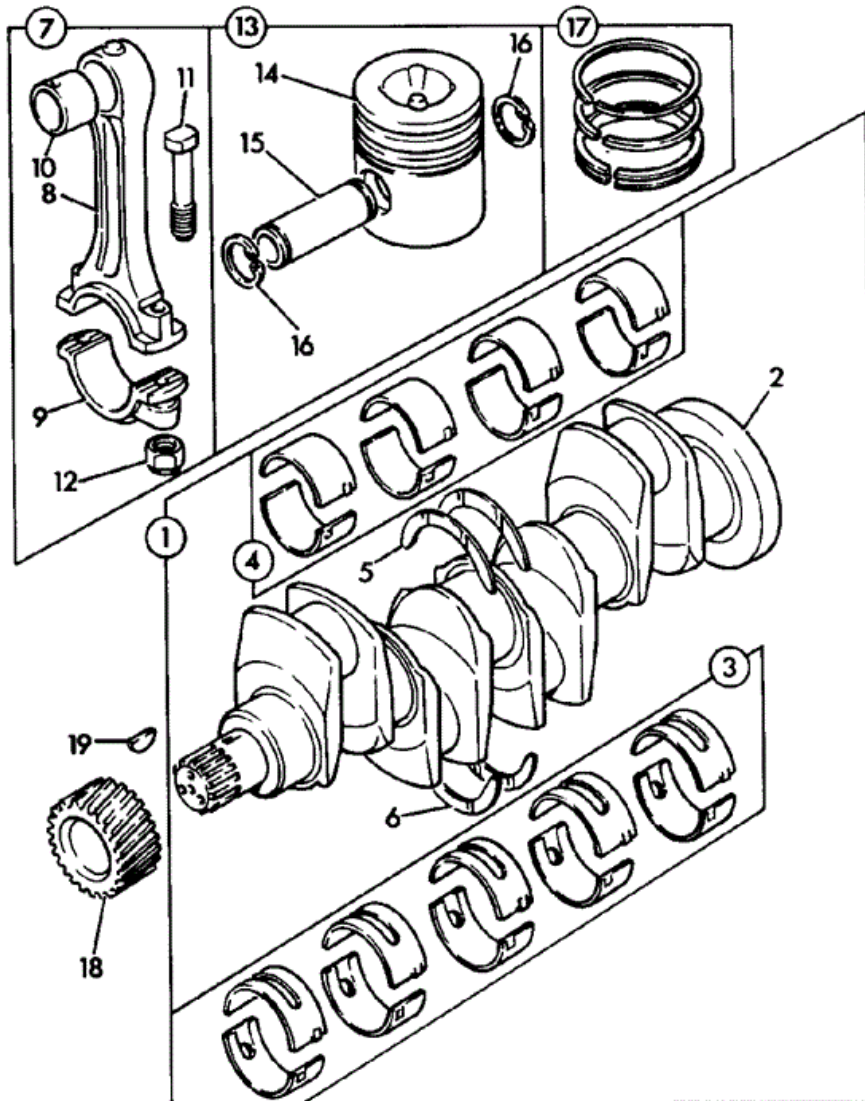


Item	Part #	Change No	Description	Usage Code	QTY
1	02/200190		Block cylinder assembly		1
2	****		None serviced part <i>Block</i>		1
3	****		None serviced part <i>Bearing Cap</i>		5
4	:02/200002		Liner cylinder, slip fit		4
5	:02/200003		Plug core" D=26mm		2
6	:02/100396		Plug core D=32mm		5
7	:02/100396		Plug core D=32mm		1
8	:02/100134		Plug		1
9	:02/100101		Thimble		10
10	:02/100102		Bolt		10
11	:02/100615		Washer		10
12	:02/192001		Bush camshaft		1
13	:02/100397	Superseded	Plug core D=38mm		4
13	:02/200454		Plug core D=38mm		4
14	:02/100397	Superseded	Plug core D=38mm		2
14	:02/200454		Plug core D=38mm		2
15	:02/101827		Plug		1
16	02/100108		Plug		1
17	02/100582		Plug core D=16mm		1
18	02/100397	Superseded	Plug core D=38mm		4
18	02/200454		Plug core D=38mm		4
19	02/100107		Plug core D=50mm		1
20	02/100111	Superseded	Plug		1
20	02/200827		Plug		1
21	823/00276		Washer		1
22	02/200223	Superseded	Housing rear seal		1
22	M.S.S		Multi Supersession <i>Part N/A use 22A with item 27A</i>		1
22A	02/200523	Superseded	Housing rear seal		1
22A	M.S.S	<EU619893X	Multi Supersession <i>See Note 1</i>		1
22B	02/200958	>EU619894X	Housing rear seal		1
23	****		None serviced part <i>Cover</i>		1
24	:02/101436		Seal rear oil		1
25	02/100113	<EU619893X	Gasket rear seal housing		1
25A	02/201092	>EU619894X	Gasket rear seal housing		1
26	826/00869		Screw flange head		10
26A	826/00869	>EU619894X	Screw flange head		2
27	02/291063		Screw		2
27A	1391/3307Z		Capscrew M8x25mm <i>Used only with item 22A</i>		2
28	02/100307		Washer		2
29	02/100308		Dowel		2
30	02/200004		Plate		1
31	02/200005		Gasket		1
32	02/291031		Bolt		2
33	02/101756		Plug		4
34	823/00287		Washer spacer		4
			Plug drain		

35	02/100132		<i>Water drain</i>		2
35	02/100335		Tap drain <i>Alternative</i>		0
36	826/00765		Plug		1
37	1315/0401Z		Bolt M10 x 10		1
38	823/00273		Washer		1
39	02/100134		Plug		1

*Note 1: Part No Longer Available use 22B with items 25A,26A,27A and 1 off bridge piece 02/201094.*





095660

Item	Part #	Change No	Description	Usage Code	QTY
1	02/101825		Crankshaft assembly	P/Ex	1
2	****		None serviced part <i>Crankshaft</i>		1
3	:02/192002		Kit-bearing Main Standard		1
3	02/192003		Kit-bearing Main Undersize - .010inch		1
3	02/192004		Kit-bearing Main Undersize - .020inch		1



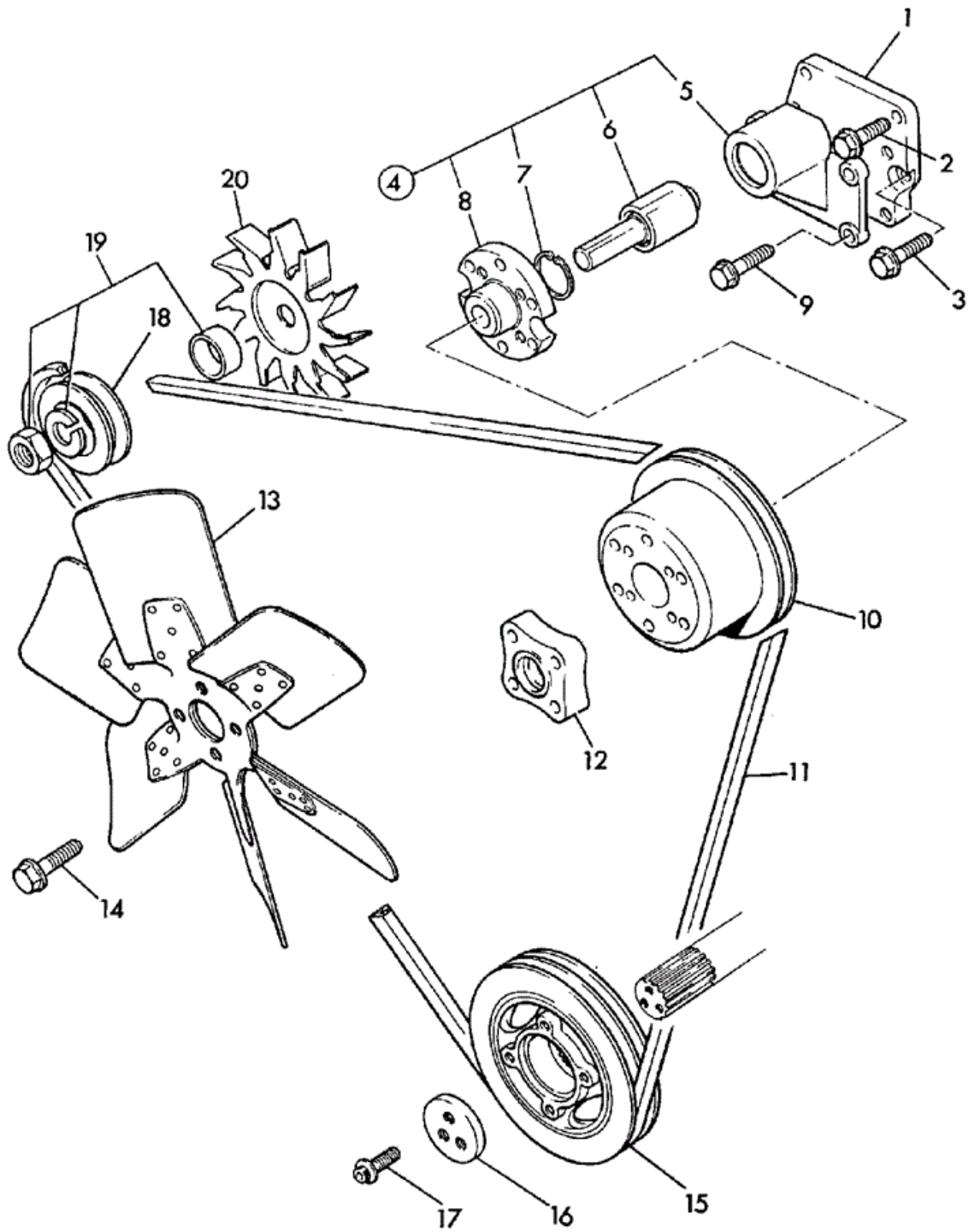
3	02/192005		Kit-bearing Main Undersize - .030inch	1
4	:02/192006		Kit-bearing big end standard	1
4	02/192007		Kit-bearing Big end Undersize - .010inch	1
4	02/192008		Kit-bearing Big end Undersize - .020inch	1
4	02/192009		Kit-bearing Big end Undersize - .030inch	1
5	:02/192083		Washer thrust top - standard	2
5	02/192011		Washer thrust top-oversize 0.19mm	2
6	:02/192084		Washer thrust bottom - standard	2
6	02/192013		Washer thrust btm-oversize 0.19mm	2
7	02/101440		Rod assembly Connecting	4
8	****		None serviced part <i>Con-rod</i>	1
9	****		None serviced part <i>Cap</i>	1
10	:02/192015		Bush small end	1
11	:02/100127	Superseded	Bolt	2
11	02/291072		Bolt	2
12	:02/100128		Nut	2
13	02/200191	Superseded	Piston assembly <i>See Note 1</i>	4
13	N.L.A	<EU531919T	No longer available <i>Part N.L.A use 13A in ENGINE SETS ONLY</i>	1
13	02/200471	Superseded	Piston assembly <i>See Note 2</i>	1
13	N.L.A	>EU531920T	No longer available <i>Part N.L.A use item 13B in ENGINE SETS ONLY</i>	4
13A	02/200849	<EU531919T	Piston assembly	4
13B	02/200904	>EU531920T	Piston assembly	4
14	****		None serviced part <i>Piston</i>	1
15	****		None serviced part <i>Gudgeon pin</i>	1
16	:2203/1040		Circlip	2
17	02/200192		Kit-piston ring	4
18	02/290001		Gear	1
19	02/100038		Key	1

*Note 1: Latest piston may be fitted to engines prior to U531920T, But in ENGINE SETS ONLY.*

*Note 2: Earlier piston may be fitted to engines after U531919T, But in ENGINE SETS ONLY.*

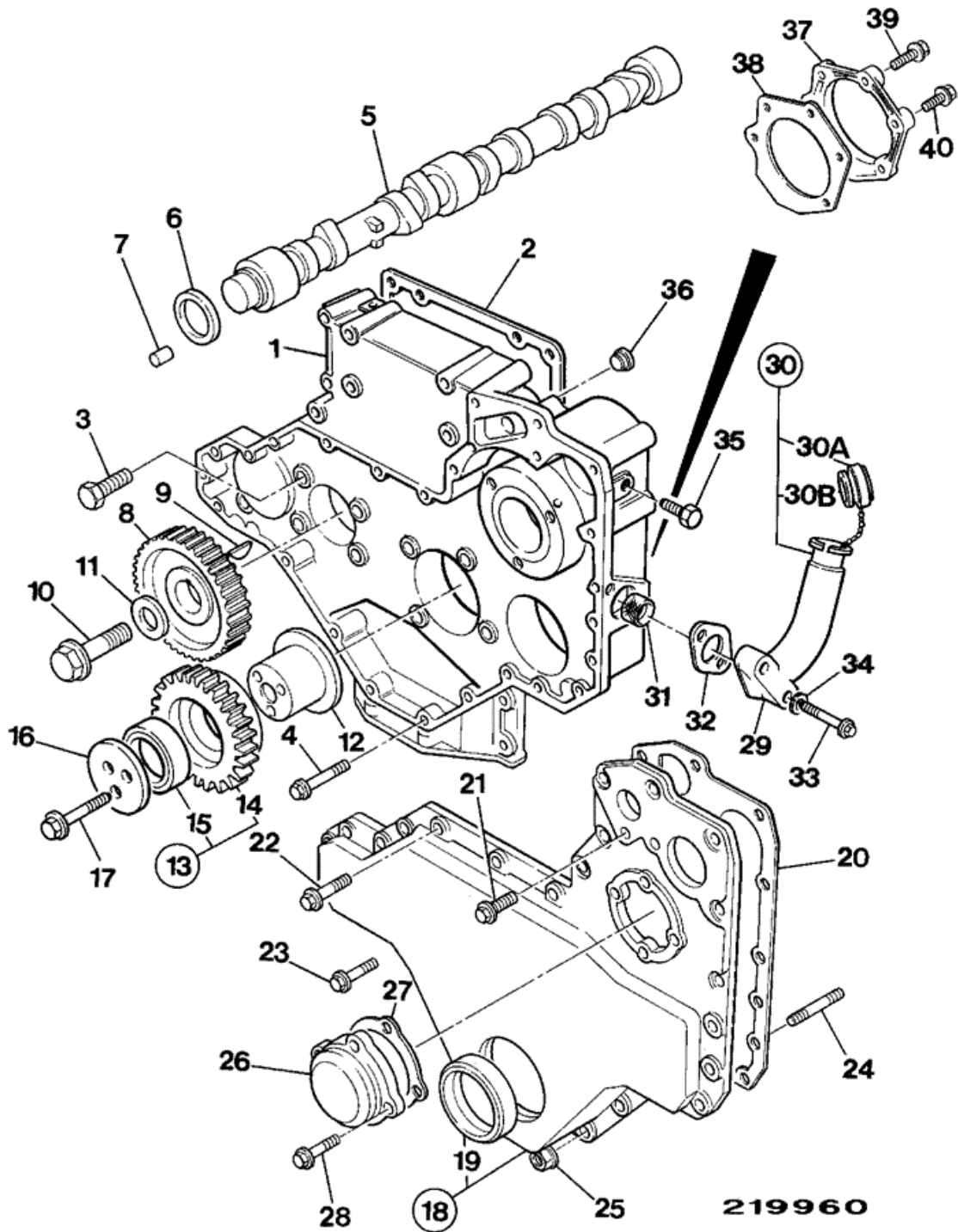


# 9802/7620 N1-5-1 FANS, PULLEYS & FAN BELT AA BUILD



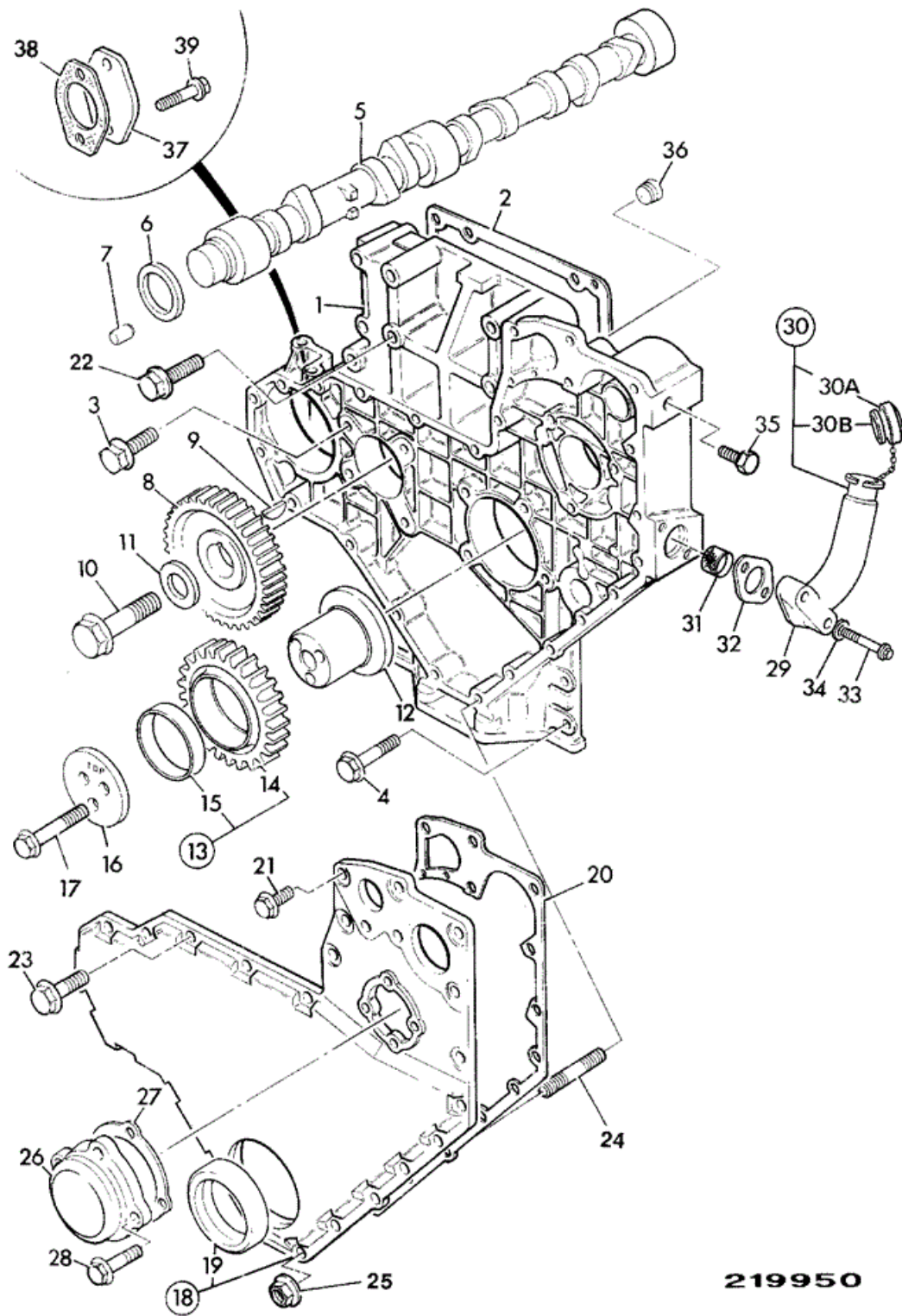
097274

Item	Part #	Change No	Description	Usage Code	QTY
1	****		'See Remark' <i>Not required</i>		1
2	****		'See Remark' <i>Not required</i>		2
3	****		'See Remark' <i>Not required</i>		2
4	02/200370		Housing assembly, fan drive		1
5	****		None serviced part		1
6	:02/200371	Superseded	Bearing		1
6	****		None serviced part <i>Part N/A use item 4</i>		1
7	****		'See Remark' <i>Not fitted</i>		1
8	:02/200372	Superseded	Hub		1
8	****		None serviced part <i>Part N/A use item 4</i>		1
9	02/291041		Bolt		4
10	02/200014		Pulley fan drive		1
11	02/200210	Superseded	Belt fan, pair 1450mm lg		1
11	02/200521		Belt fan, pair		1
12	02/100957		Spacer fan 25.4mm		1
13	209/02321		Fan cooling, 18" 6 blades		1
14	02/291104		Screw		4
15	02/200018		Pulley crankshaft twin groove		1
16	02/200017		Block Thrust		1
17	02/100579		Screw		3
18	02/200212		Pulley alternator D=86mm single groove		1
19	714/10810		Kit-sundry parts		1
20	02/200452		Fan alternator		1



Item	Part #	Change No	Description	Usage Code	QTY
1	02/200021	Superseded	Casing timing, twin p.t.o		1
1	M.S.S		Multi Supersession <i>Part N.L.A use 1A with items 23A &amp; 23B</i>		1
1A	02/200948		Casing timing, twin p.t.o		1
2	02/200022		Gasket t/case to block		1
3	826/00869		Screw flange head		8

4	02/291033		Bolt	4
5	02/200023		Camshaft	1
6	02/192064		Washer thrust	1
7	2102/0604		Dowel	1
8	02/190034		Gear camshaft	1
9	02/100038		Key	1
10	02/291047		Bolt	1
11	02/291065		Washer	1
12	02/100041		Hub	1
13	02/190033		Gear idler assembly	1
14	:N.S.P.		None serviced part <i>Gear</i>	1
15	:02/192016		Bush	2
16	02/100042		Plate	1
17	02/291073		Screw	3
18	02/200486		Cover timing	1
19	:02/101435		Seal front oil	1
20	02/200027		Gasket timing cover	1
21	02/291026		Bolt	6
23	02/291017		Screw	11
23A	02/291018		Bolt	9
23B	02/291017		Screw	1
24	02/291051		Stud	2
25	02/291058		Nut flanged M8	2
26	02/200028		Cover inspection	1
27	02/200029		Gasket inspection cover	1
28	02/291014		Bolt	4
29	123/94600		Tube Oil filler	1
30	258/45200		Cap & filler neck assembly	1
30A	:02/101484		Cap oil filler	1
30B	::02/100421		Seal	1
31	02/200037		Strainer	1
32	813/00350		Gasket	1
33	1315/3313Z		Bolt M8 x 55	2
34	1420/0007Z		Washer (M8)	2
35	02/291074		Bolt	1
36	02/100409		Plug taper threaded	1
37	02/200034		Plate	1
38	02/200035		Gasket	1
39	02/291033		Bolt	5
40	02/291037		Bolt	1



219950

Item	Part #	Change No	Description	Usage Code	QTY
1	02/202043		Case timing		1
2	02/200022		Gasket t/case to block		1
3	826/00869		Screw flange head		8
4	02/291033		Bolt		4
5	02/201303		Camshaft		1

6	02/192064		Washer thrust	1
7	2102/0604		Dowel	1
8	02/190034		Gear camshaft	1
9	02/100038		Key	1
10	02/291196		Screw	1
11	02/291065		Washer	1
12	02/100041		Hub	1
13	02/190033		Gear idler assembly	1
14	:N.S.P.		None serviced part <i>Gear</i>	1
15	:02/192016		Bush	2
16	02/100042		Plate	1
17	02/291073		Screw	3
18	02/202168		Cover timing	1
19	:02/101435		Seal front oil	1
20	02/200728		Gasket timing cover	1
21	02/291026		Bolt	6
23	02/291017		Screw	11
23A	02/291018		Bolt	9
23B	02/291017		Screw	1
24	02/291051		Stud	2
25	02/291058		Nut flanged M8	2
26	02/202121		Cover inspection	1
27	02/200029		Gasket inspection cover	1
28	02/291014		Bolt	4
29	123/94600		Tube Oil filler	1
30	258/45200		Cap & filler neck assembly	1
30A	:02/101484		Cap oil filler	1
30B	::02/100421		Seal	1
31	02/200037		Strainer	1
32	813/00350		Gasket	1
33	1315/3313Z		Bolt M8 x 55	2
34	1420/0007Z		Washer (M8)	2
35	02/291074		Bolt	1
35A	02/200829		Plug	1
36	02/100409		Plug taper threaded	1
37	02/200034		Plate	1
38	02/200035		Gasket	1
39	02/291033		Bolt	5
40	02/291037		Bolt	1



Thank you so much for reading.  
Please click the “Buy Now!”  
button below to download the  
complete manual.



After you pay.

You can download the most  
perfect and complete manual in  
the world immediately.

Our support email:

[ebooklibonline@outlook.com](mailto:ebooklibonline@outlook.com)