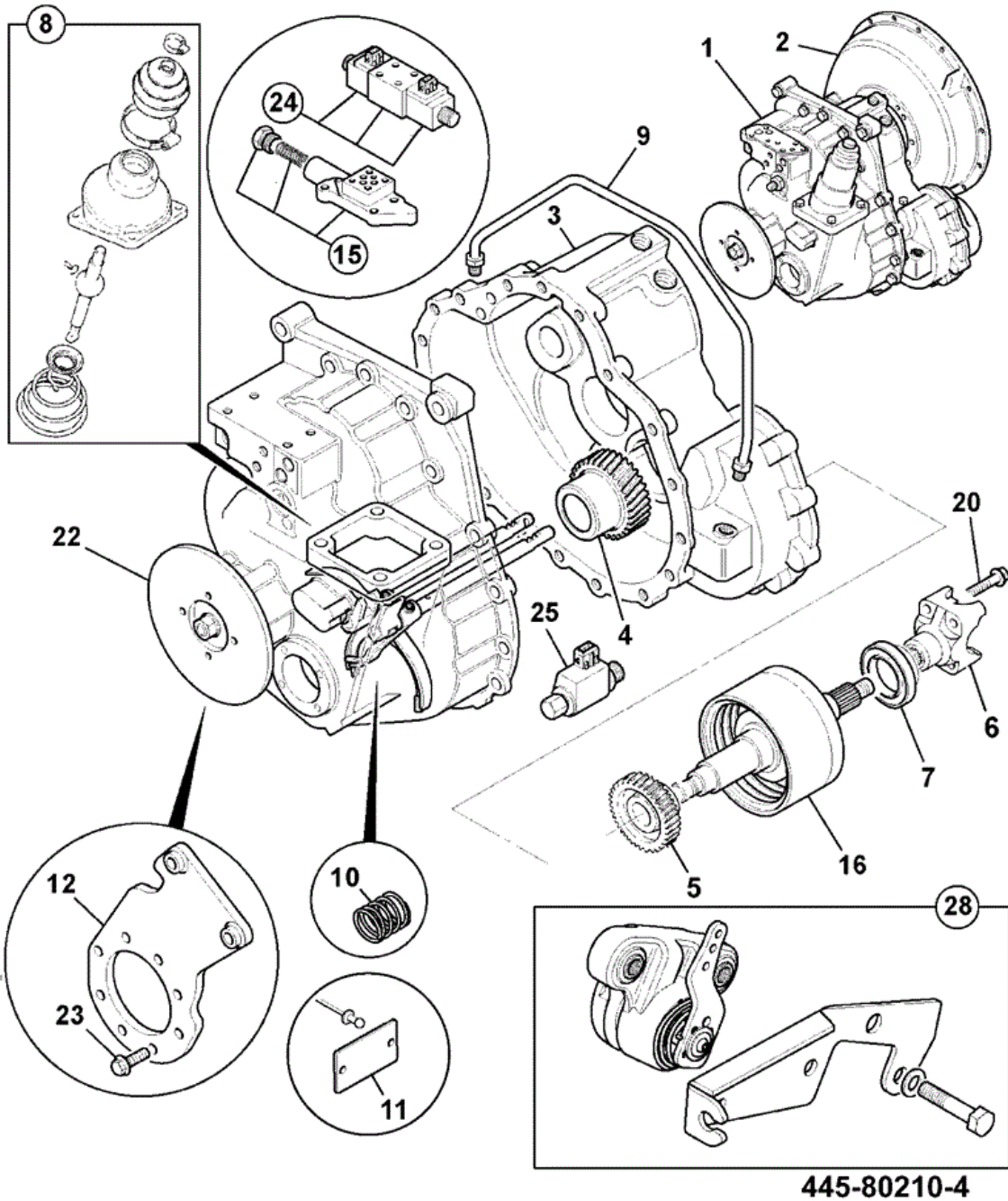


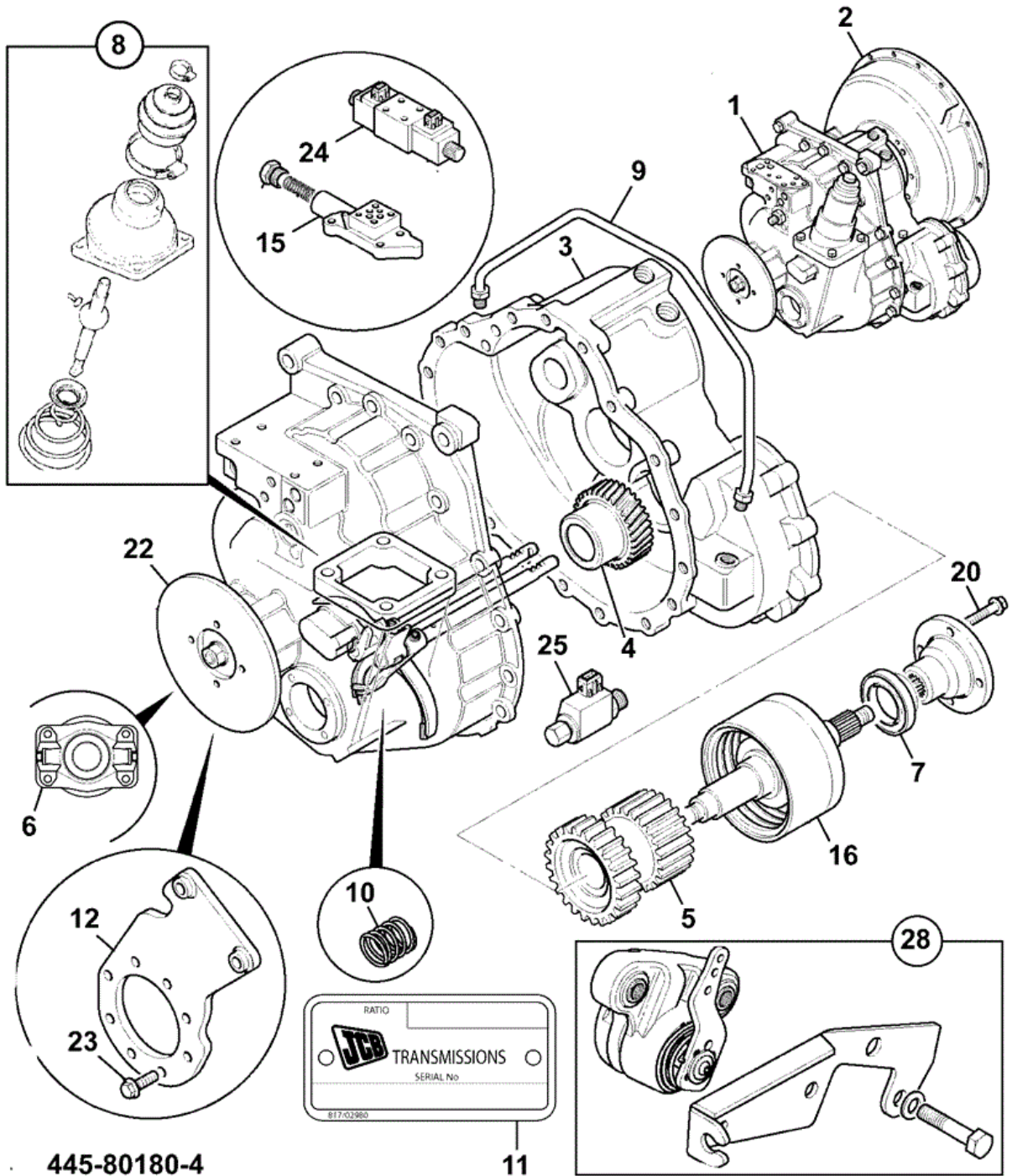
JCB 9822/0825 F500-1-1 SYNCHROSHUTTLE GEARBOX
 INSTALLATION ASSEMBLIES COMPONENTS SS600



| Item | Part # | Change No | Description | Usage Code | QTY |
|------|-----------|-----------|------------------------------------|------------|-----|
| 1 | 445/76600 | | Gearbox common components 4WD, NSP | | 1 |

| | | | |
|----|-----------|---|---|
| 2 | 459/M0304 | Housing Flywheel SAE3 | 1 |
| 3 | 459/30376 | Casing Front SAE3 | 1 |
| 4 | 445/06101 | Gear input 21 teeth | 1 |
| 5 | 459/50843 | Gear output 37 teeth | 1 |
| 6 | 445/10703 | Yoke Coupling | 1 |
| 7 | 904/20172 | Seal Triple Lip, To Suit 55.0/54.81 Shaft Brown | 1 |
| 8 | 445/05300 | Lever Assembly | 1 |
| 9 | 445/28200 | Pipe male ended M12 thread | 1 |
| 10 | 814/00406 | Spring | 1 |
| 12 | 331/16159 | Bracket brake caliper mount Hayes caliper | 1 |
| 15 | 445/07300 | Adapter Block Assembly | 1 |
| 16 | 459/10119 | Clutch Assembly 4WD | 1 |
| 20 | 826/01553 | Bolt Setscrew | 1 |
| 22 | 460/12001 | Flange disc 22 teeth | 1 |
| 23 | 826/01080 | Bolt | 7 |
| 24 | 25/220998 | Valve Solenoid Assembly | 1 |
| 25 | 25/220992 | Valve solenoid assembly | 1 |
| 28 | 459/10251 | Caliper reaction bracket assembly | 1 |

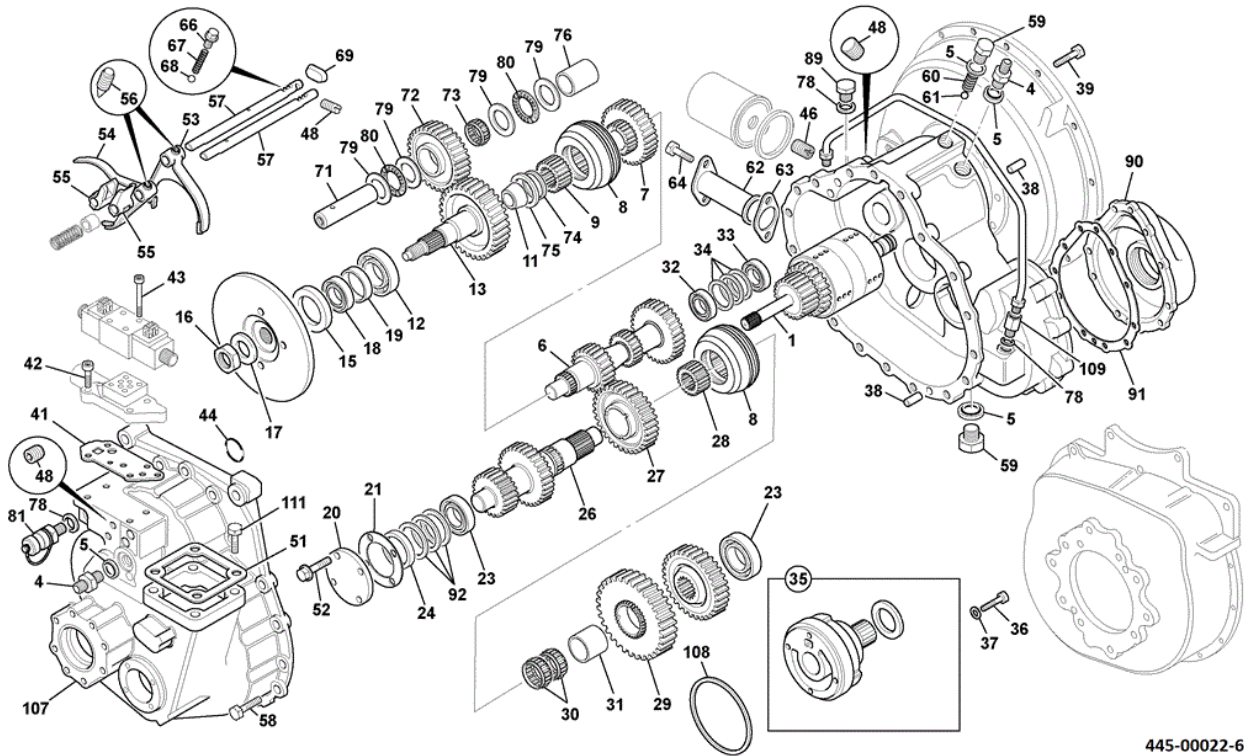
JCB 9822/0825 F500-10-1 SYNCHROSHUTTLE GEARBOX INSTALLATION ASSEMBLIES COMPONENTS 4 WHEEL DRIVE



| Item | Part # | Change No | Description | Usage Code | QTY |
|------|-----------|-----------|------------------------------------|------------|-----|
| 1 | 445/76600 | | Gearbox common components 4WD, NSP | | 1 |

| | | | |
|----|-----------|---|---|
| 2 | 459/M0304 | Housing Flywheel SAE3 | 1 |
| 3 | 459/30376 | Casing Front SAE3 | 1 |
| 4 | 445/05901 | Gear input 26 teeth | 1 |
| 5 | 459/50664 | Carrier Gear & Plate, 32 Teeth | 1 |
| 6 | 445/10703 | Yoke Coupling | 1 |
| 7 | 904/20172 | Seal Triple Lip, To Suit 55.0/54.81 Shaft Brown | 1 |
| 8 | 445/05300 | Lever Assembly | 1 |
| 9 | 445/28200 | Pipe male ended M12 thread | 1 |
| 10 | 814/00406 | Spring | 1 |
| 12 | 331/16159 | Bracket brake caliper mount Hayes caliper | 1 |
| 15 | 445/07300 | Adapter Block Assembly | 1 |
| 16 | 459/10119 | Clutch Assembly 4WD | 1 |
| 20 | 826/01553 | Bolt Setscrew | 1 |
| 22 | 460/12001 | Flange disc 22 teeth | 1 |
| 23 | 826/01080 | Bolt | 7 |
| 24 | 25/220998 | Valve Solenoid Assembly | 1 |
| 25 | 25/220992 | Valve solenoid assembly | 1 |
| 28 | 459/10251 | Caliper reaction bracket assembly | 1 |

JCB 9822/0825 F520-1-1 COMMON PARTS CLUTCH S/R, 4 WHEEL DRIVE



445-00022-6

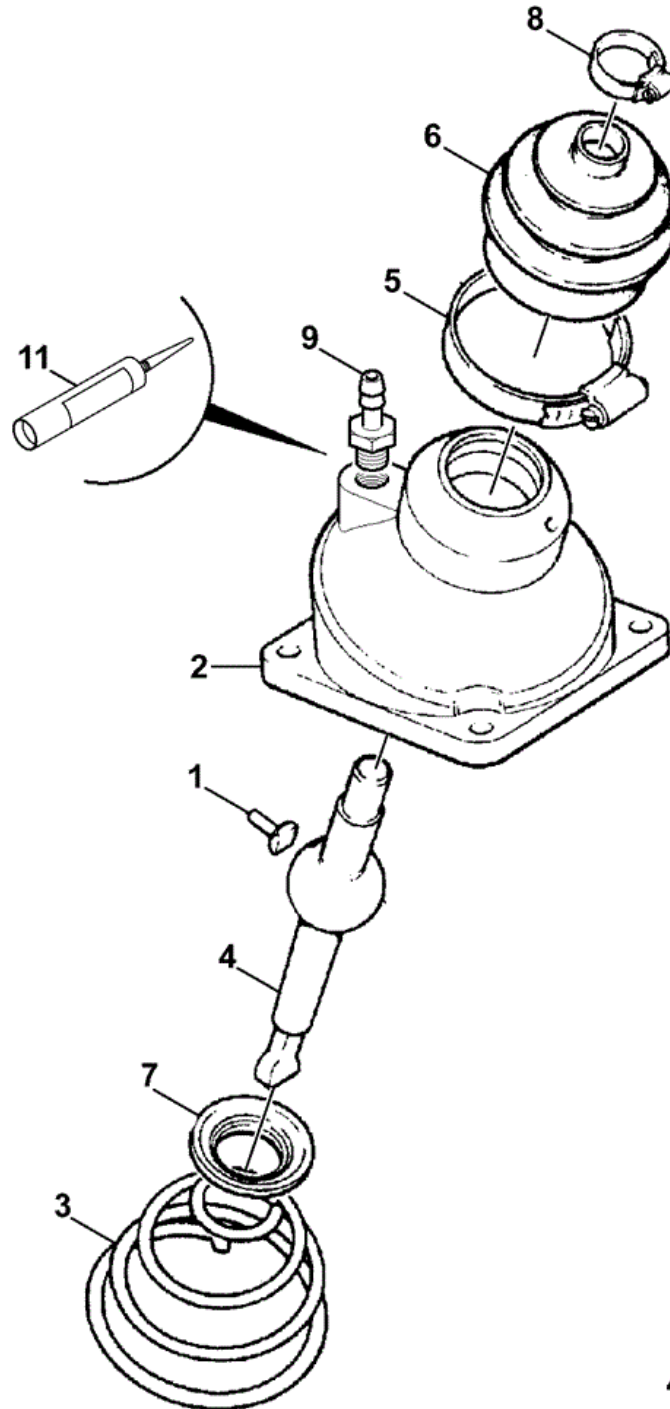
| Item | Part # | Change No | Description | Usage Code | QTY |
|------|-----------|-----------|--|------------|-----|
| 1 | 445/73500 | | Clutch Reverser Assembly | | 1 |
| 4 | 1606/0017 | | Adapter 5/8" x 1/2" M/M | | 2 |
| 5 | 1406/0018 | | Washer Bonded (1/2" BSP) | | 5 |
| 6 | 445/03014 | | Shaft main | | 1 |
| 7 | 445/03007 | | Gear 31T - 3rd | | 1 |
| 8 | 445/03300 | | Synchroniser Assembly | | 2 |
| 9 | 445/03003 | | Sleeve | | 1 |
| 11 | 907/51500 | | Bearing w/o outer case | | 1 |
| 12 | 907/20045 | | Bearing taper roller | | 1 |
| 13 | 445/64401 | | Gear 36T | | 1 |
| 15 | 904/05100 | | Seal | | 1 |
| 16 | 826/01551 | | Nut Stake M30 (46mm Head) | | 1 |
| 17 | 823/00331 | | Washer (31.3mm x 55.5mm x 4mm) | | 1 |
| 18 | 907/51600 | | Bearing Taper Roller | | 1 |
| 19 | 921/53400 | | Kit set of spacers From 12.625 To 14.200 Thick | | 1 |
| 20 | 445/75702 | | Cover end | | 1 |
| 21 | 813/50056 | | Gasket | | 1 |
| 23 | 907/52800 | | Bearing Tapper Roller 35 x 65 x 18 | | 2 |
| 24 | 445/70402 | | Spacer | | 1 |
| 26 | 459/50204 | | Layshaft STD ratio SS750 | | 1 |

| | | | | | |
|----|------------|--|---|--|----|
| 27 | 459/50202 | | Gear 2nd SS750 | | 1 |
| 28 | 445/03010 | | Sleeve Hub Shaft | | 1 |
| 29 | 445/03012 | | Gear | | 1 |
| 30 | 917/02300 | | Bearing Needle Roller | | 3 |
| 31 | 917/00008 | | Bearing Inner Race | | 1 |
| 32 | 907/09700 | | Bearing | | 1 |
| 33 | 445/13704 | | Spacer | | 1 |
| 34 | 921/02200 | | Kit-shim | | 1 |
| 35 | 20/925327 | | Pump | | 1 |
| 36 | 1315/3311Z | | Bolt (M8 X 45) | | 4 |
| 37 | 823/00291 | | Washer Copper M8 | | 4 |
| 38 | 445/14001 | | Dowel | | 6 |
| 39 | 1315/0409Z | | Setscrew M10 x 35 | | 12 |
| 41 | 813/10175 | | Gasket Valve Block | | 1 |
| 42 | 1392/3207 | | Capscrew | | 4 |
| 43 | 1391/3108Z | | Capscrew M5 X 30mm | | 4 |
| 44 | 828/10222 | | O Ring 20 x 1.6mm | | 2 |
| 46 | 816/15184 | | Adapter 1/2"BSPx1"UNF | | 1 |
| 47 | 826/M1731 | | Rivet pop | | 2 |
| 48 | 816/80052 | | Plug Taper 1/4" BSP | | 6 |
| 51 | 813/50042 | | Gasket | | 1 |
| 52 | 826/01416 | | Screw micro-encapsulated | | 4 |
| 53 | 445/26101 | | Fork selector | | 1 |
| 54 | 459/30299 | | Fork selector 3rd | | 1 |
| 55 | 459/70199 | | Block Selector | | 2 |
| 56 | 826/M3831 | | Screw locking | | 4 |
| 57 | 459/M2082 | | Shaft selector | | 2 |
| 58 | 826/01417 | | Setscrew flanged M10 x 30 | | 28 |
| 59 | 816/80041 | | Plug 1/2"BSP 25.65mm A/F | | 3 |
| 60 | 814/00222 | | Spring | | 1 |
| 61 | 916/00008 | | Bearing 14diameter Ball | | 1 |
| 62 | 32/902200 | | Strainer Suction | | 1 |
| 63 | 813/50027 | | Gasket | | 1 |
| 64 | 1321/0303Z | | Screw M8 x 16 | | 2 |
| 66 | 816/80057 | | Plug detent | | 2 |
| 67 | 814/00354 | | Spring | | 2 |
| 68 | 916/00006 | | Ball 11mm dia | | 2 |
| 69 | 445/03031 | | Roller Baulk | | 1 |
| 71 | 459/70087 | | Shaft Idler | | 1 |
| 72 | 459/50440 | | Gear Idler, 35T | | 1 |
| 73 | 917/02400 | | Bearing Needle Roller | | 1 |
| 74 | 445/64302 | | Spacer mainshaft seal | | 1 |
| 75 | 904/50027 | | Seal Oil Baffle | | 1 |
| 76 | 445/19002 | | Spacer | | 1 |
| 78 | 1406/0011 | | Washer Bonded (1/4") | | 3 |
| 79 | 823/00451 | | Washer Thrust (38.1mm x 55.55mm x 1.55mm) | | 4 |
| 80 | 917/51400 | | Bearing Needle Thrust | | 2 |
| 81 | 45/905000 | | Adapter Pressure Test 1/4BSP Male | | 1 |
| 89 | 816/82009 | | Plug M12 (Washer 1406/0011) | | 1 |
| 90 | 459/30451 | | Cover 4WD clutch | | 1 |
| 91 | 813/50048 | | Gasket | | 1 |

| | | | | | |
|-----|-----------|--|------------------------------|--|---|
| 92 | 445/04700 | | Kit-shim | | 3 |
| 107 | 459/30377 | | Casing rear | | 1 |
| 108 | 813/50041 | | Seal Rear | | 1 |
| 109 | 445/66100 | | Valve non-return male/female | | 1 |
| 111 | 826/01361 | | Setscrew | | 4 |
| 114 | 835/10095 | | Cap Protection Valve | | 3 |
| 115 | 917/10000 | | Bearing Needle Roller | | 1 |



9822/0825 F530-1-1 GEARLEVER TURRET DETAILS

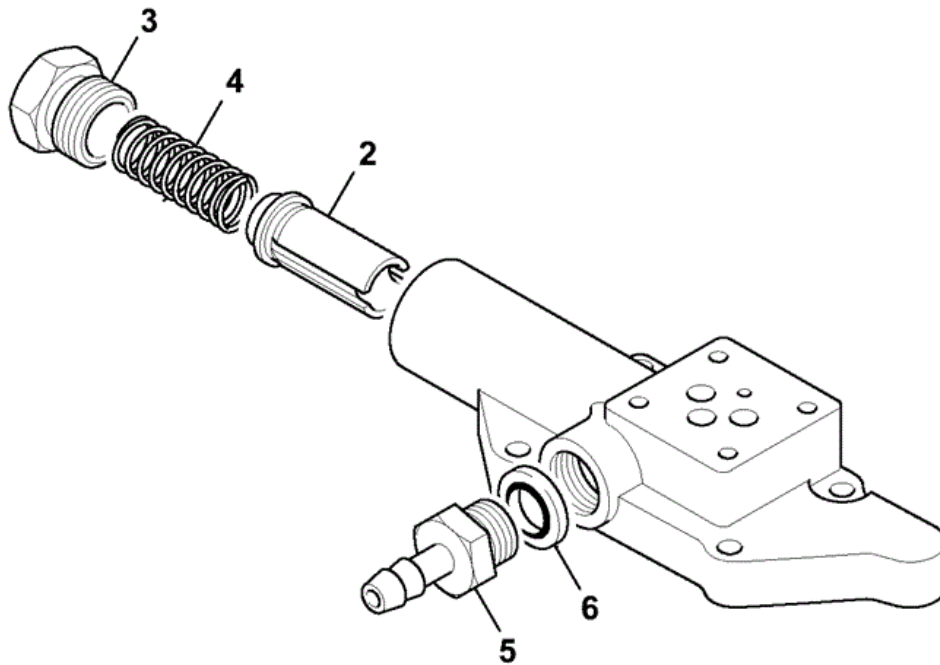


445-05300-5

| Item | Part # | Change No | Description | Usage Code | QTY |
|------|------------|-----------|----------------|------------|-----|
| A | 445/05300 | | Lever Assembly | | 1 |
| 1 | :445/03023 | | Pin Pivot | | 1 |
| 2 | :445/03019 | | Housing | | 1 |

| | | | | |
|----|------------|--|------------------------------|---|
| 3 | :814/00221 | | Spring Gear Lever | 1 |
| 4 | :445/03022 | | Lever gear shift | 1 |
| 5 | :445/05301 | | Clip | 1 |
| 6 | :445/03021 | | Gaiter gear change | 1 |
| 7 | :445/03020 | | Retainer Spring | 1 |
| 8 | :445/05302 | | Clip | 1 |
| 9 | N/A | | Not applicable not available | 1 |
| 11 | 4102/1200 | | Sealant <i>QTY:A/R</i> | 0 |

JCB 9822/0825 F590-1-1 OTHER SS PARTS ADAPTOR BLOCK
ASSEMBLY

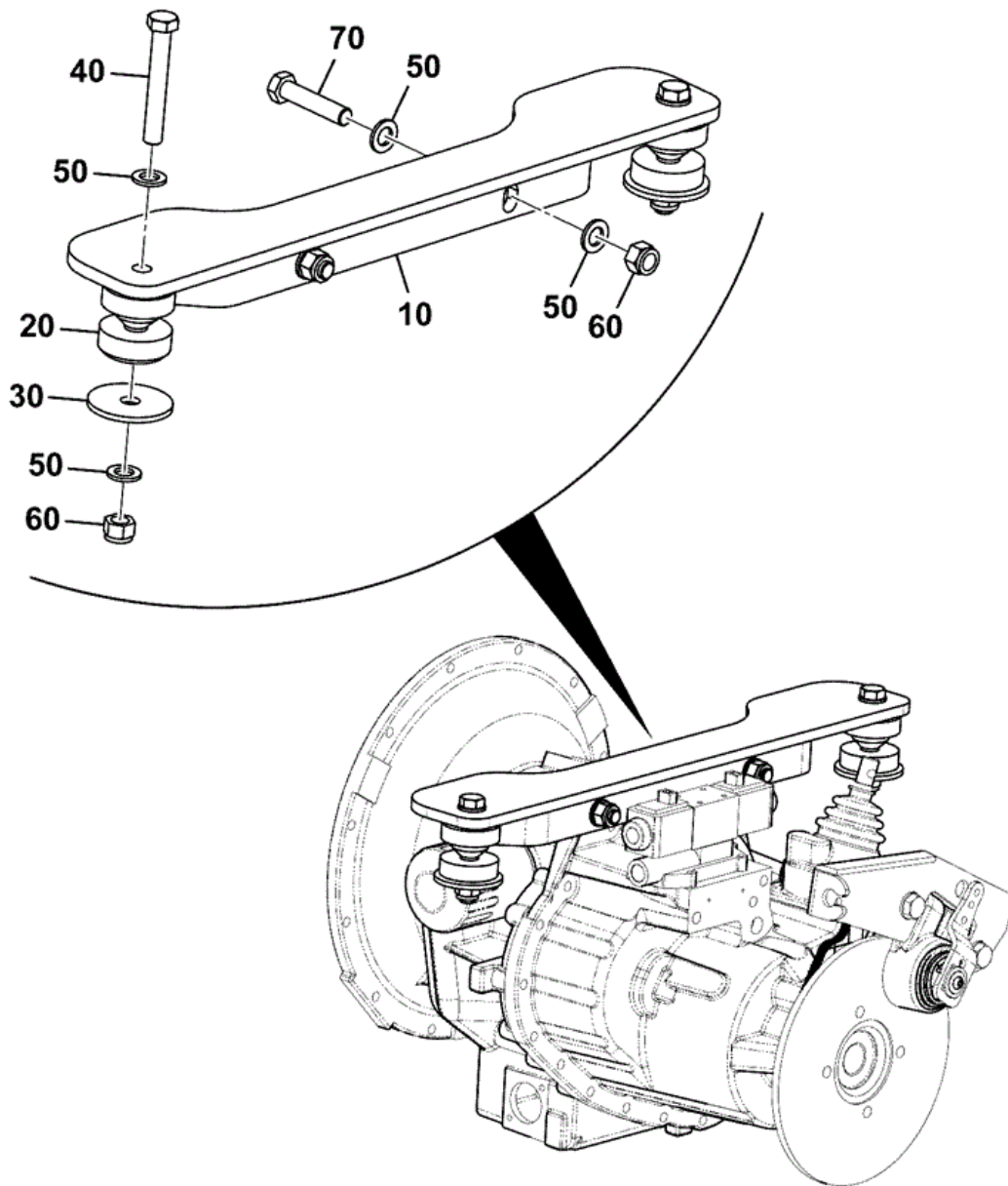


445-07300-13

| Item | Part # | Change No | Description | Usage Code | QTY |
|------|-----------|-----------|------------------------|------------|-----|
| A | 445/07300 | | Adapter Block Assembly | | 1 |

| | | | | | |
|---|-----------|--|------------------------|--|---|
| 2 | 459/70168 | | Spool Adapter Solenoid | | 1 |
| 3 | 816/80061 | | Plug | | 1 |
| 4 | 814/00407 | | Spring | | 1 |
| 5 | 816/60286 | | Adapter | | 1 |
| 6 | 1406/0008 | | Seal Washer | | 1 |

JCB 9822/0825 F590-5-1 OTHER SS PARTS MOUNTINGS
GEARBOX



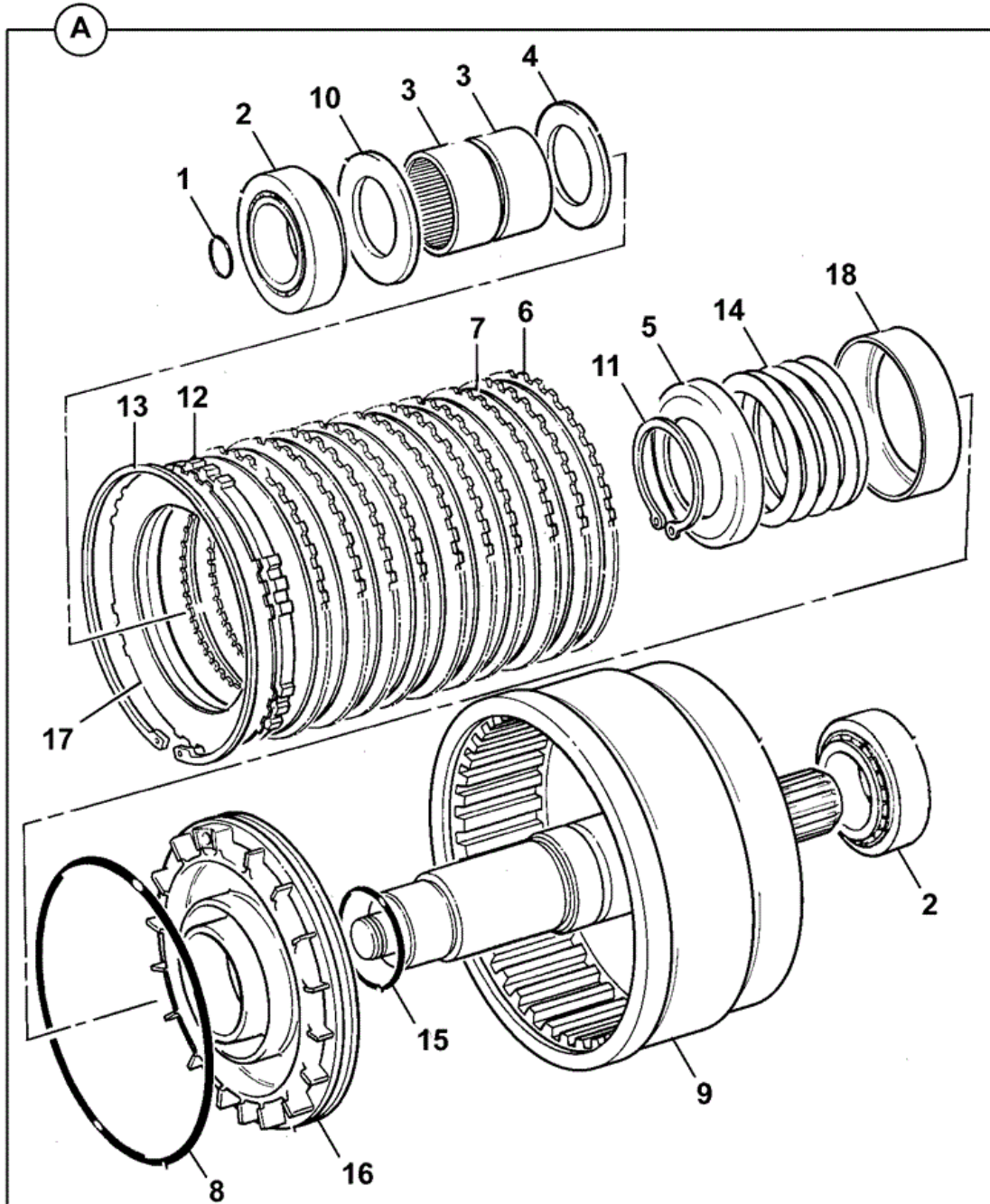
334-S6508-1

| Item | Part # | Change No | Description | Usage Code | QTY |
|------|-----------|-----------|-----------------------|------------|-----|
| 10 | 335/12277 | | Mounting Transmission | | 1 |

| | | | | | |
|----|------------|--|--------------------|--|---|
| 20 | 242/00392 | | Mount Engine | | 2 |
| 30 | 120/16902 | | Plate Rebound | | 2 |
| 40 | 1315/3721D | | Bolt M16 x 110 | | 2 |
| 50 | 1420/0011D | | Washer (M16) | | 8 |
| 60 | 1370/0603D | | Nut -Lock Nut, M16 | | 4 |
| 70 | 1315/3717D | | Bolt M16x75 | | 2 |



9822/0825 F620-1-1 4WD CLUTCH ASSEMBLY



459-10119-5

| Item | Part # | Change No | Description | Usage Code | QTY |
|------|-----------|-----------|------------------------------------|------------|-----|
| 1 | 904/14300 | | Seal ring (turquoise) | | 1 |
| 2 | 907/52800 | | Bearing Tapper Roller 35 x 65 x 18 | | 2 |
| 3 | 917/02700 | | Bearing Needle Roller | | 2 |

| | | | | | |
|----|-----------|--|---|--|----|
| 4 | 445/19808 | | Washer thrust, 3.5mm thick phosphated | | 1 |
| 5 | 445/12304 | | Retainer spring | | 1 |
| 6 | 445/12307 | | Plate Counter | | 10 |
| 7 | 445/03205 | | Plate Friction | | 10 |
| 8 | 828/00414 | | O Ring 123.5mm I/D | | 1 |
| 9 | 459/50483 | | Housing 4wd clutch | | 1 |
| 10 | 823/10364 | | Washer Thrust (35.15mm x 60mm x 3.51mm) | | 1 |
| 11 | 821/00523 | | Circlip | | 1 |
| 12 | 331/31560 | | Plate Pressure 4mm | | 1 |
| 13 | 2203/1115 | | Circlip | | 1 |
| 14 | 814/00297 | | Spring Compression | | 1 |
| 15 | 828/00224 | | O Ring 39.7mm I/D X 3.53mm | | 1 |
| 16 | 445/M2158 | | Piston -Clutch | | 1 |
| 17 | 445/12314 | | Shim plate, Toothed | | 0 |

Thank you so much for reading.
Please click the “Buy Now!”
button below to download the
complete manual.



After you pay.

You can download the most
perfect and complete manual in
the world immediately.

Our support email:

ebooklibonline@outlook.com