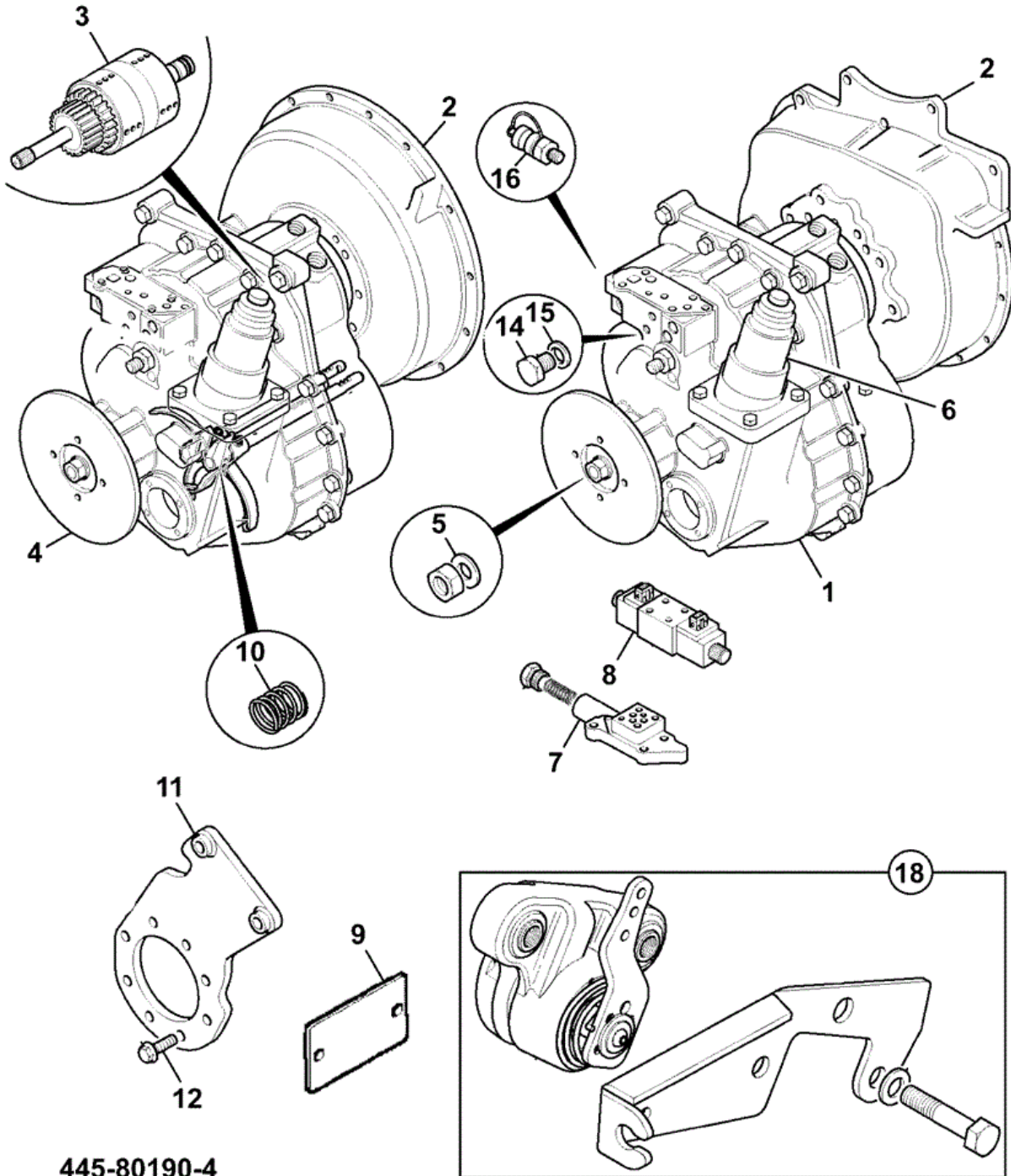


JCB 9822/0825 F500-5-1 SYNCHROSHUTTLE GEARBOX
 INSTALLATION ASSEMBLIES COMPONENTS 2 WHEEL DRIVE

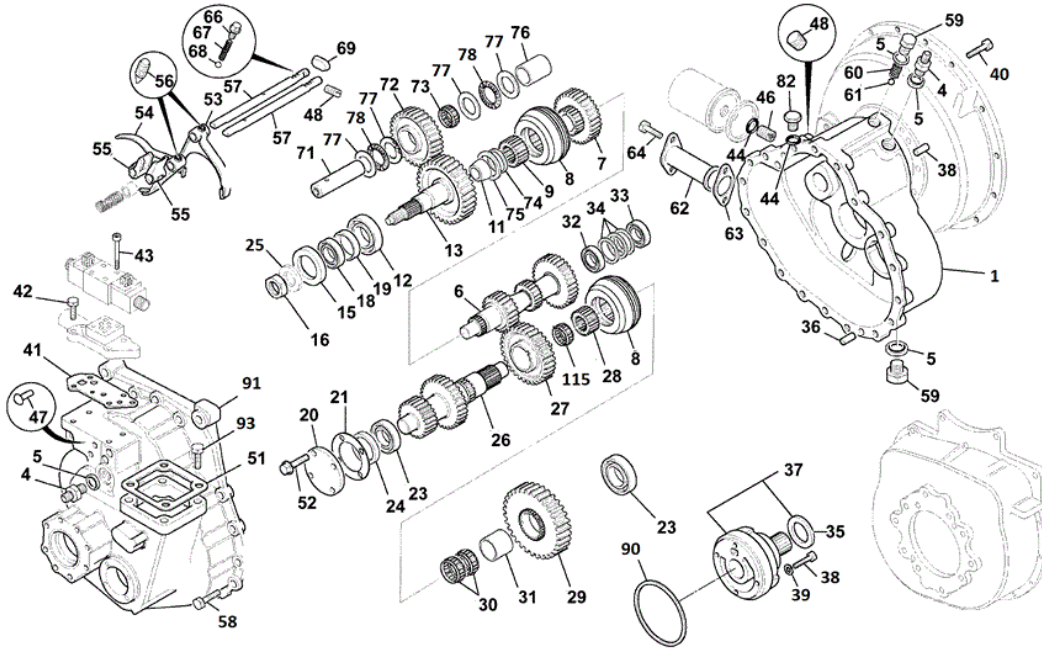


445-80190-4

Item	Part #	Change No	Description	Usage Code	QTY
1	445/76200		Gearbox common components NSP		1

2	459/M0304	Housing Flywheel SAE3	1
3	445/73500	Clutch Reverser Assembly	1
4	460/12001	Flange disc 22 teeth	1
5	823/00331	Washer (31.3mm x 55.5mm x 4mm)	1
6	445/05300	Lever Assembly	1
7	445/07300	Adapter Block Assembly	1
8	25/220998	Valve Solenoid Assembly	1
10	814/00406	Spring	1
11	331/16159	Bracket brake caliper mount Hayes caliper	1
12	826/01080	Bolt	7
14	816/80052	Plug Taper 1/4" BSP	2
15	1406/0011	Washer Bonded (1/4")	2
16	45/905000	Adapter Pressure Test 1/4BSP Male	1
18	459/10251	Caliper reaction bracket assembly	1

JCB 9822/0825 F520-5-1 COMMON PARTS CLUTCH S/R,
 2WHEEL DRIVE



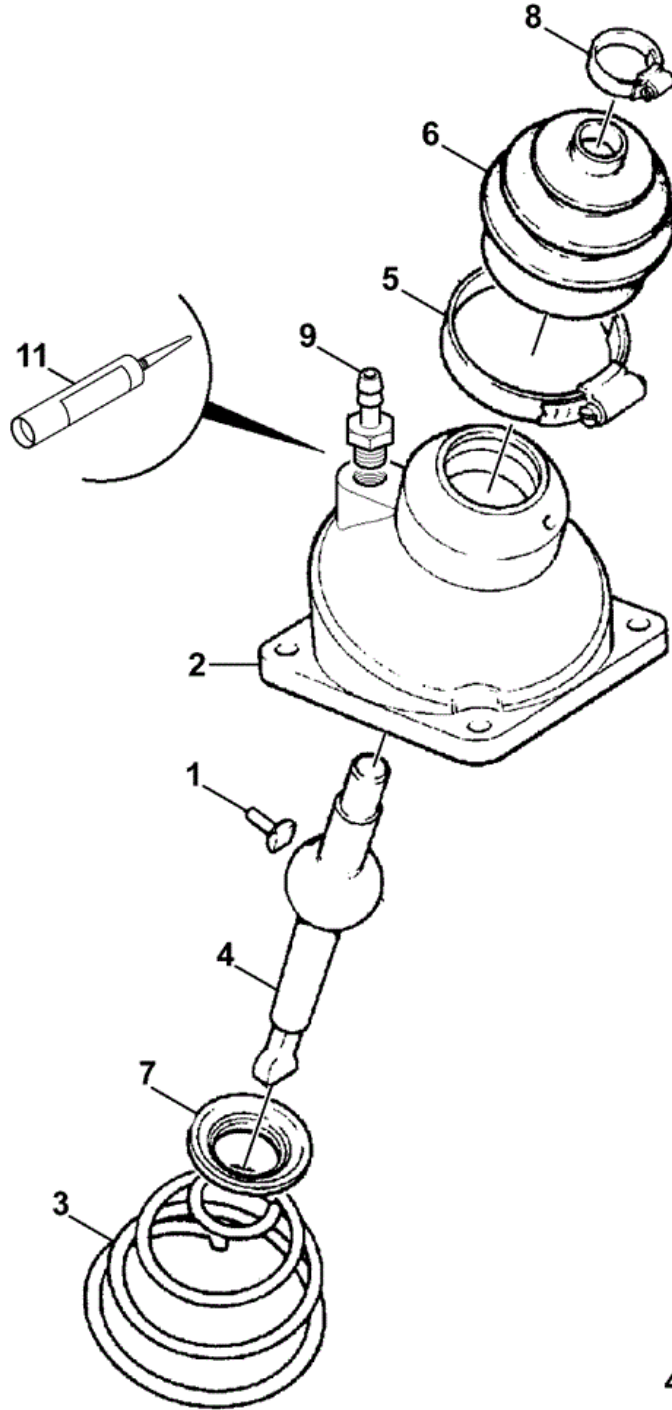
445-00022-7

Item	Part #	Change No	Description	Usage Code	QTY
1	459/30371		Casing front		1
4	1606/0017		Adapter 5/8" x 1/2" M/M		2
5	1406/0018		Washer Bonded (1/2" BSP)		5
6	445/03014		Shaft main		1
7	445/03007		Gear 31T - 3rd		1
8	445/03300		Synchroniser Assembly		2
9	445/03003		Sleeve		1
11	907/51500		Bearing w/o outer case		1
12	907/20045		Bearing taper roller		1
13	445/64401		Gear 36T		1
15	904/05100		Seal		1
16	826/01551		Nut Stake M30 (46mm Head)		1
18	907/51600		Bearing Taper Roller		1
19	921/53400		Kit set of spacers From 12.625 To 14.200 Thick		1
20	445/75702		Cover end		1
21	813/50056		Gasket		1
23	907/52800		Bearing Tapper Roller 35 x 65 x 18		2
24	445/70402		Spacer		1
25	445/04700		Kit-shim		2
26	459/50204		Layshaft STD ratio SS750		1
27	459/50202		Gear 2nd SS750		1

28	445/03010	Sleeve Hub Shaft	1
29	445/03012	Gear	1
30	917/02300	Bearing Needle Roller	3
31	917/00008	Bearing Inner Race	1
32	445/03013	Spacer	1
33	907/09700	Bearing	1
34	921/02200	Kit-shim	1
35	445/13704	Spacer	1
36	445/14001	Dowel	4
37	20/925327	Pump	1
38	1315/3311Z	Bolt (M8 X 45)	4
39	823/00291	Washer Copper M8	4
40	1315/0409Z	Setscrew M10 x 35	12
41	813/10175	Gasket Valve Block	1
42	1392/3207	Capscrew	4
43	1391/3108Z	Capscrew M5 X 30mm	4
44	828/10222	O Ring 20 x 1.6mm	2
46	816/15184	Adapter 1/2"BSPx1"UNF	1
48	816/80052	Plug Taper 1/4" BSP	2
51	813/50042	Gasket	1
52	826/01416	Screw micro-encapsulated	4
53	445/26101	Fork selector	1
54	459/30299	Fork selector 3rd	1
55	459/70199	Block Selector	2
56	826/M3831	Screw locking	4
57	459/M2082	Shaft selector	2
58	826/01417	Setscrew flanged M10 x 30	18
59	816/80041	Plug 1/2"BSP 25.65mm A/F	3
60	814/00222	Spring	1
61	916/00008	Bearing 14diameter Ball	1
62	32/902200	Strainer Suction	1
63	813/50027	Gasket	1
64	1321/0303Z	Screw M8 x 16	2
66	816/80057	Plug detent	2
67	814/00354	Spring	2
68	916/00006	Ball 11mm dia	2
69	445/03031	Roller Baulk	1
71	459/70087	Shaft Idler	1
72	459/50440	Gear Idler, 35T	1
73	917/02400	Bearing Needle Roller	1
74	445/64302	Spacer mainshaft seal	1
75	904/50027	Seal Oil Baffle	1
76	445/19002	Spacer	1
77	823/00451	Washer Thrust (38.1mm x 55.55mm x 1.55mm)	4
78	917/51400	Bearing Needle Thrust	2
82	816/82009	Plug M12 (Washer 1406/0011)	1
88	835/00076	Cap	1
90	813/50041	Seal Rear	1
91	459/30377	Casing rear	1
93	826/01361	Setscrew	4
115	917/10000	Bearing Needle Roller	1



9822/0825 F530-1-1 GEARLEVER TURRET DETAILS

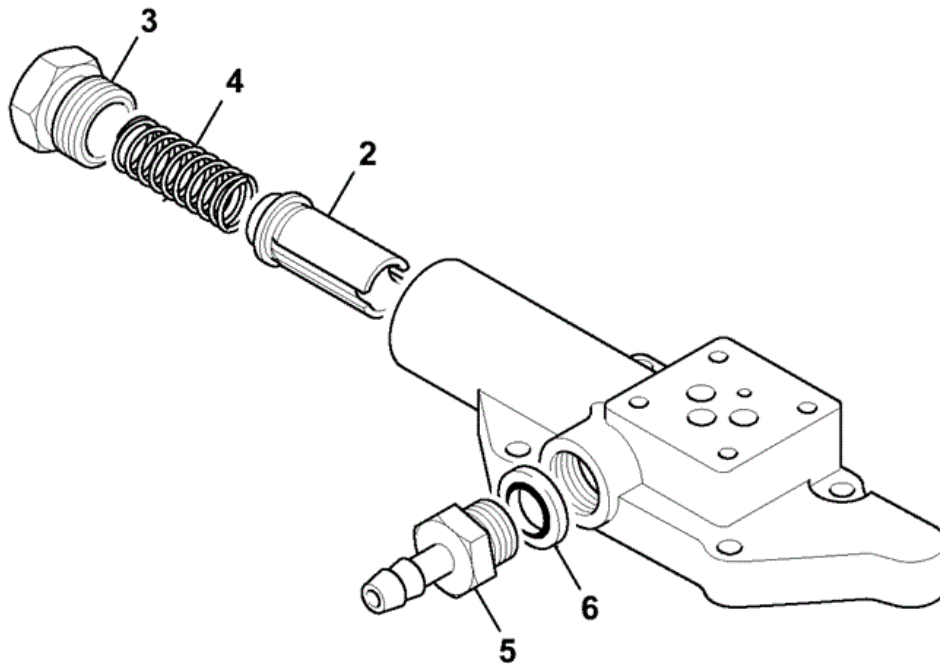


445-05300-5

Item	Part #	Change No	Description	Usage Code	QTY
A	445/05300		Lever Assembly		1
1	:445/03023		Pin Pivot		1
2	:445/03019		Housing		1

3	:814/00221		Spring Gear Lever	1
4	:445/03022		Lever gear shift	1
5	:445/05301		Clip	1
6	:445/03021		Gaiter gear change	1
7	:445/03020		Retainer Spring	1
8	:445/05302		Clip	1
9	N/A		Not applicable not available	1
11	4102/1200		Sealant <i>QTY:A/R</i>	0

JCB 9822/0825 F590-1-1 OTHER SS PARTS ADAPTOR BLOCK
ASSEMBLY

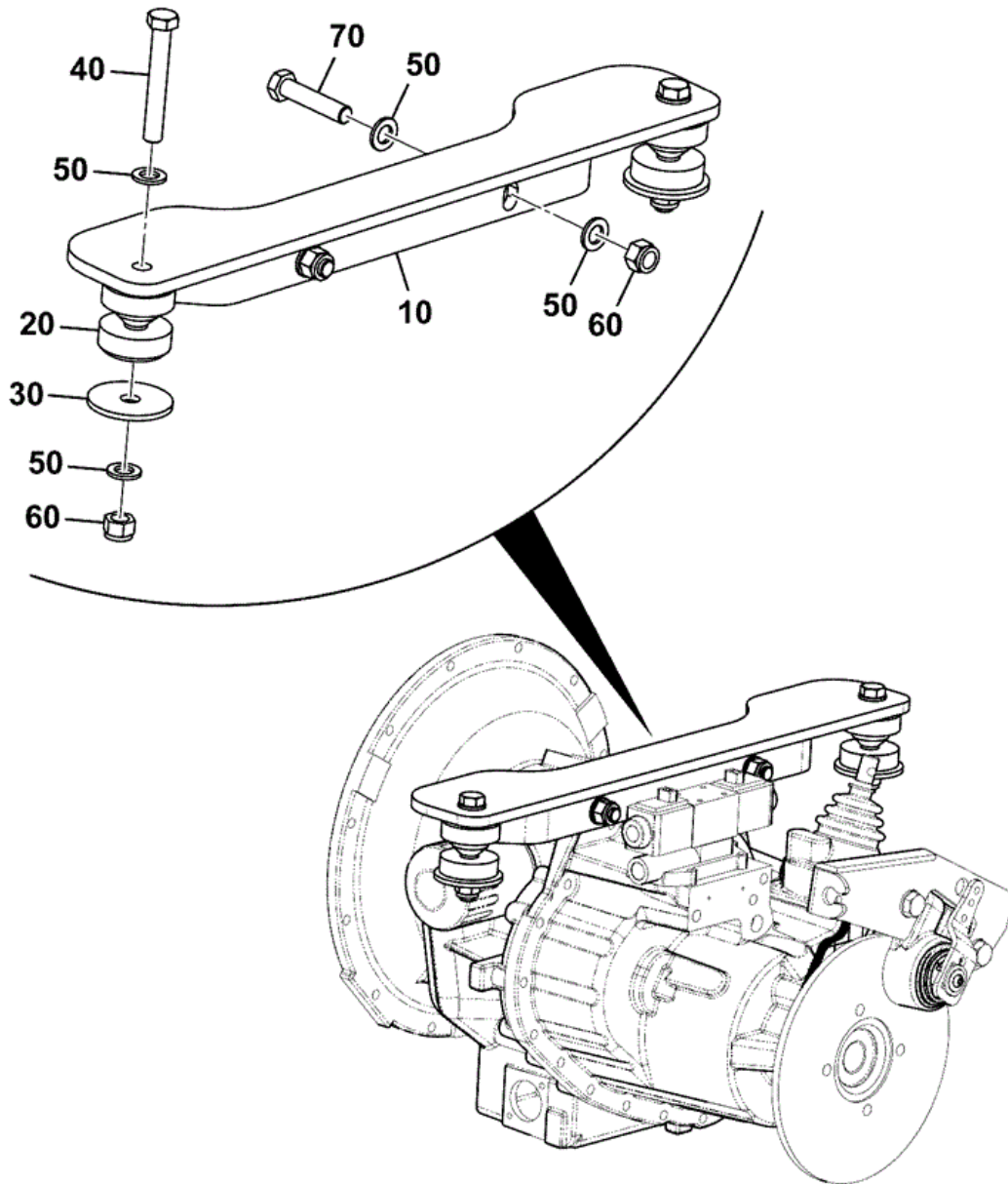


445-07300-13

Item	Part #	Change No	Description	Usage Code	QTY
A	445/07300		Adapter Block Assembly		1

2	459/70168		Spool Adapter Solenoid		1
3	816/80061		Plug		1
4	814/00407		Spring		1
5	816/60286		Adapter		1
6	1406/0008		Seal Washer		1

JCB 9822/0825 F590-5-1 OTHER SS PARTS MOUNTINGS
GEARBOX



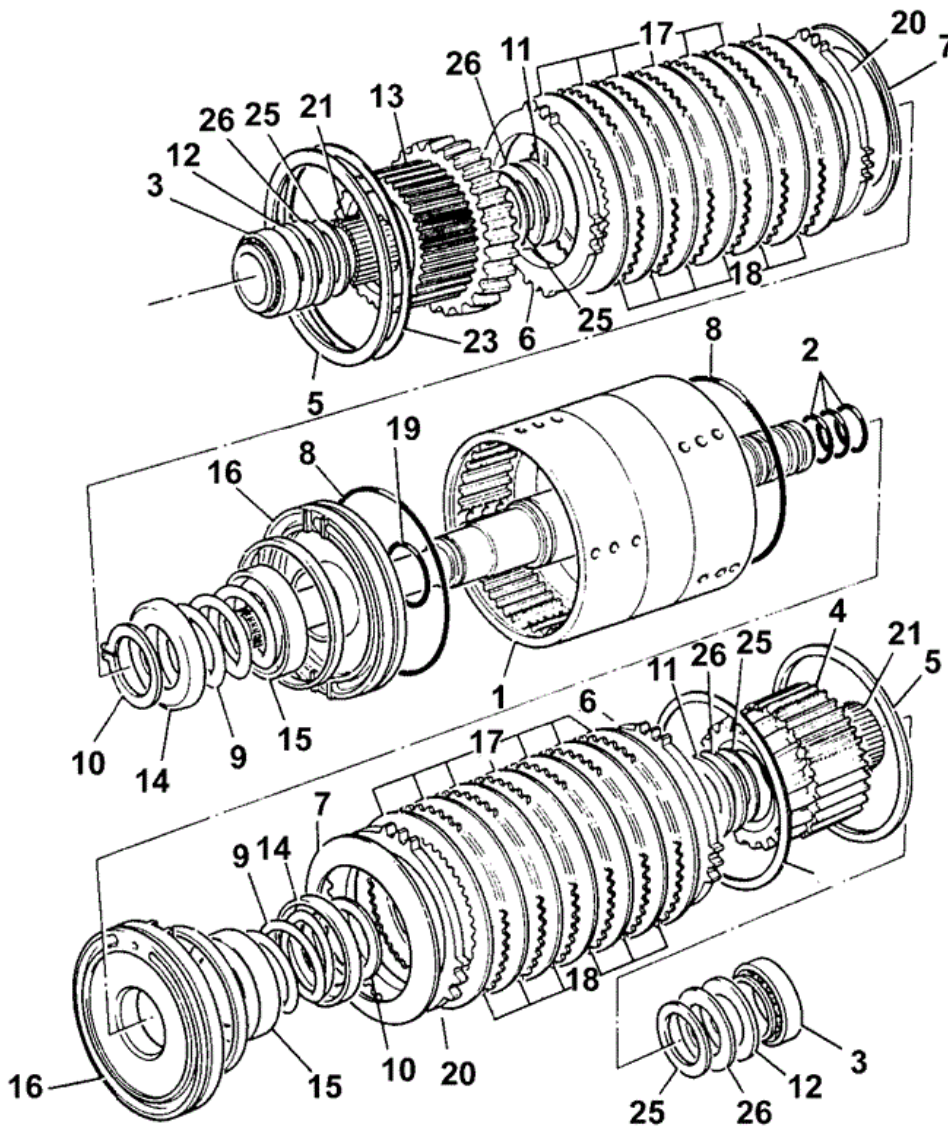
334-S6508-1

Item	Part #	Change No	Description	Usage Code	QTY
10	335/12277		Mounting Transmission		1

20	242/00392		Mount Engine		2
30	120/16902		Plate Rebound		2
40	1315/3721D		Bolt M16 x 110		2
50	1420/0011D		Washer (M16)		8
60	1370/0603D		Nut -Lock Nut, M16		4
70	1315/3717D		Bolt M16x75		2



9822/0825 F630-1-1 REVERSER CLUTCH ASSEMBLY SS600

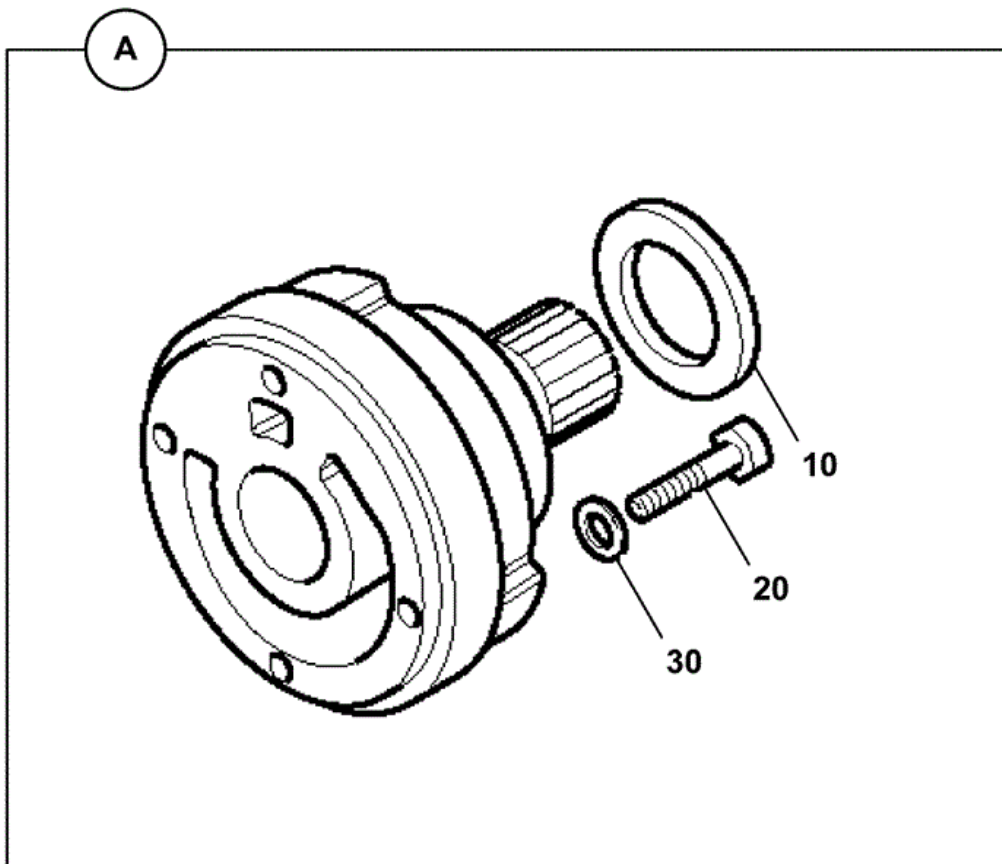


445-73500-17

Item	Part #	Change No	Description	Usage Code	QTY
A	445/73500		Clutch Reverser Assembly		1
1	****		Housing Clutch -SS600 Heavy Duty Circlip		1
2	904/50020		Seal Ring 35mm Dia		4

3	907/52700	Bearing -Taper Roller	2
4	449/02001	Housing Gear-22T & Plate Support	1
5	2203/1115	Circlip	2
6	331/31561	Plate Pressure 6mm	2
7	449/10501	Disc Spring Splined	2
8	828/00414	O Ring 123.5mm I/D	2
9	814/00297	Spring Compression	2
10	821/00523	Circlip	2
11	445/12303	Washer Thrust	2
12	445/03209	Washer Thrust (40.05mm x 60mm 3.5mm)	2
13	449/02002	Housing Plate Carrier Assy 31T & 45T	1
14	445/12304	Retainer spring	2
15	445/12305	Baffle Plate, Oil	2
16	445/M2158	Piston -Clutch	2
17	445/03205	Plate Friction	12
18	445/12307	Plate Counter	10
19	828/00224	O Ring 39.7mm I/D X 3.53mm	2
20	331/31560	Plate Pressure 4mm	2
21	917/02700	Bearing Needle Roller	2
23	445/12314	Shim plate, Toothed	0
25	445/26108	Washer Thrust (40.25mm x 60mm x 1mm)	4
26	917/02800	Bearing Thrust	4

JCB 9822/0825 F690-1-1 OTHER PS/AS/CVT PARTS PUMP
TRANSMISSION



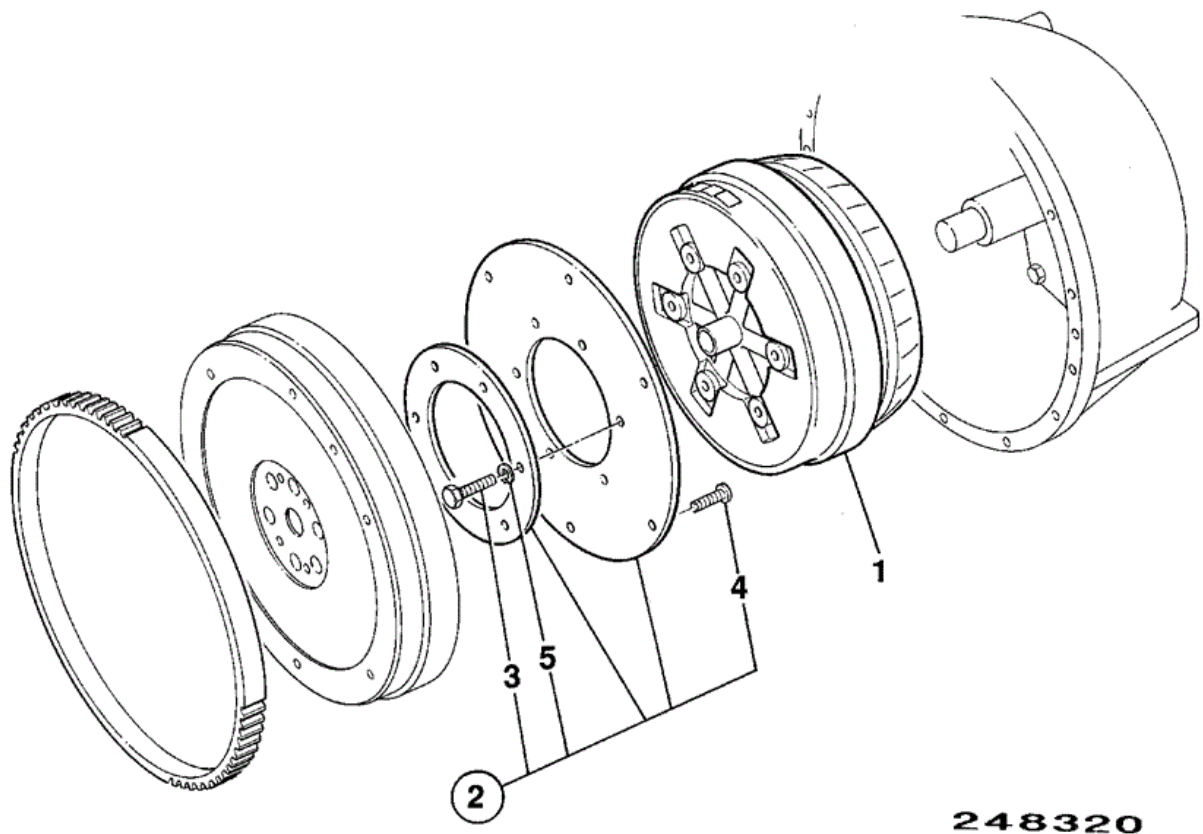
20-925327-2

Item	Part #	Change No	Description	Usage Code	QTY
A	20/925327		Pump		1

10	:20/915901		Seal oil trans pump		1
20	:1315/3311Z		Bolt (M8 X 45)		4
30	:823/00291		Washer Copper M8		4



9822/0825 F910-1-1 TORQUE CONVERTOR



248320

Item	Part #	Change No	Description	Usage Code	QTY
1	475/01000		Convertor 2.1:1 ratio 1 purple 1 black spot		1
2	04/500300		Kit-drive plate		1
2A	04/500303		Bolt		2

Thank you so much for reading.
Please click the “Buy Now!”
button below to download the
complete manual.



After you pay.

You can download the most
perfect and complete manual in
the world immediately.

Our support email:

ebooklibonline@outlook.com