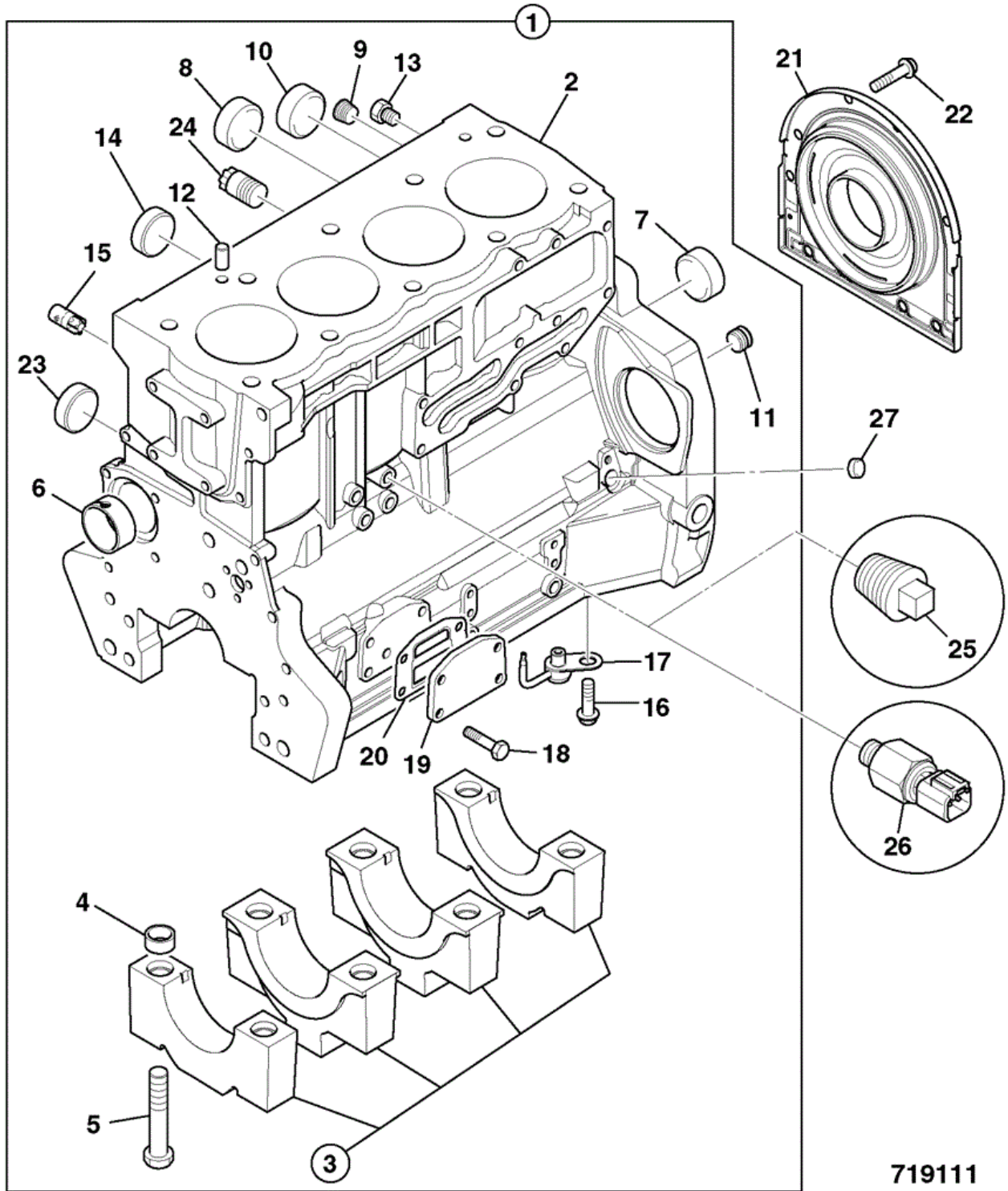




9802/7640 P1-3-1 BLOCK ASSEMBLY RE BUILD

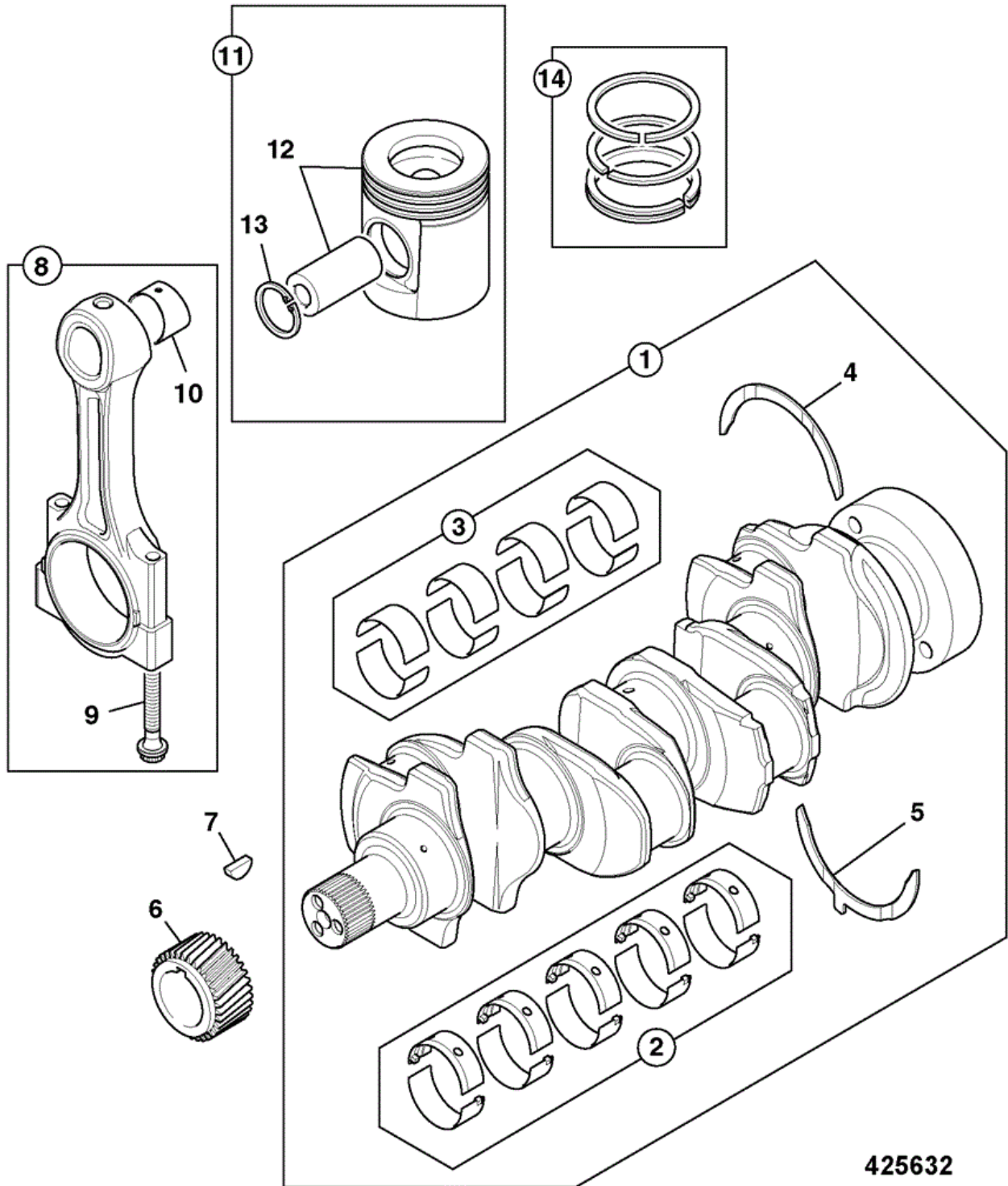


719111

Item	Part #	Change No	Description	Usage Code	QTY
1	02/202900		Block cylinder assembly		1
2	****		None serviced part		1
3	****		None serviced part		1

4	:02/100101	Thimble	10
5	:02/100102	Bolt	10
6	:02/202901	Bush camshaft	1
7	:02/202902	Plug	1
8	:02/202903	Plug	2
9	:02/100134	Plug	1
10	:02/100396	Plug core D=32mm	1
11	:02/202904	Plug	1
12	:02/201818	Dowel	2
13	:02/202905	Plug	2
14	:02/202906	Plug	1
15	:02/202907	Plug	1
16	:02/291178	Screw	4
17	:02/202908	Jet piston cooling	4
18	:02/291032	Bolt M8 x 20mm	4
19	:02/202909	Plate blanking	1
20	:02/202931	Gasket oil filter head to cyl/block	1
21	02/202935	Housing & rear oil seal assembly	1
22	826/10721	Bolt torx head drive	10
23	02/202961	Plug	1
24	02/202997	Plug	1
25	826/00765	Plug	1
26	701/80327	Switch Engine Oil Pressure	1
27	02/202961	Plug	1

JCB 9802/7640 P1-4-1 CRANKSHAFT, BEARINGS PISTONS &
 CON-RODS RE BUILD

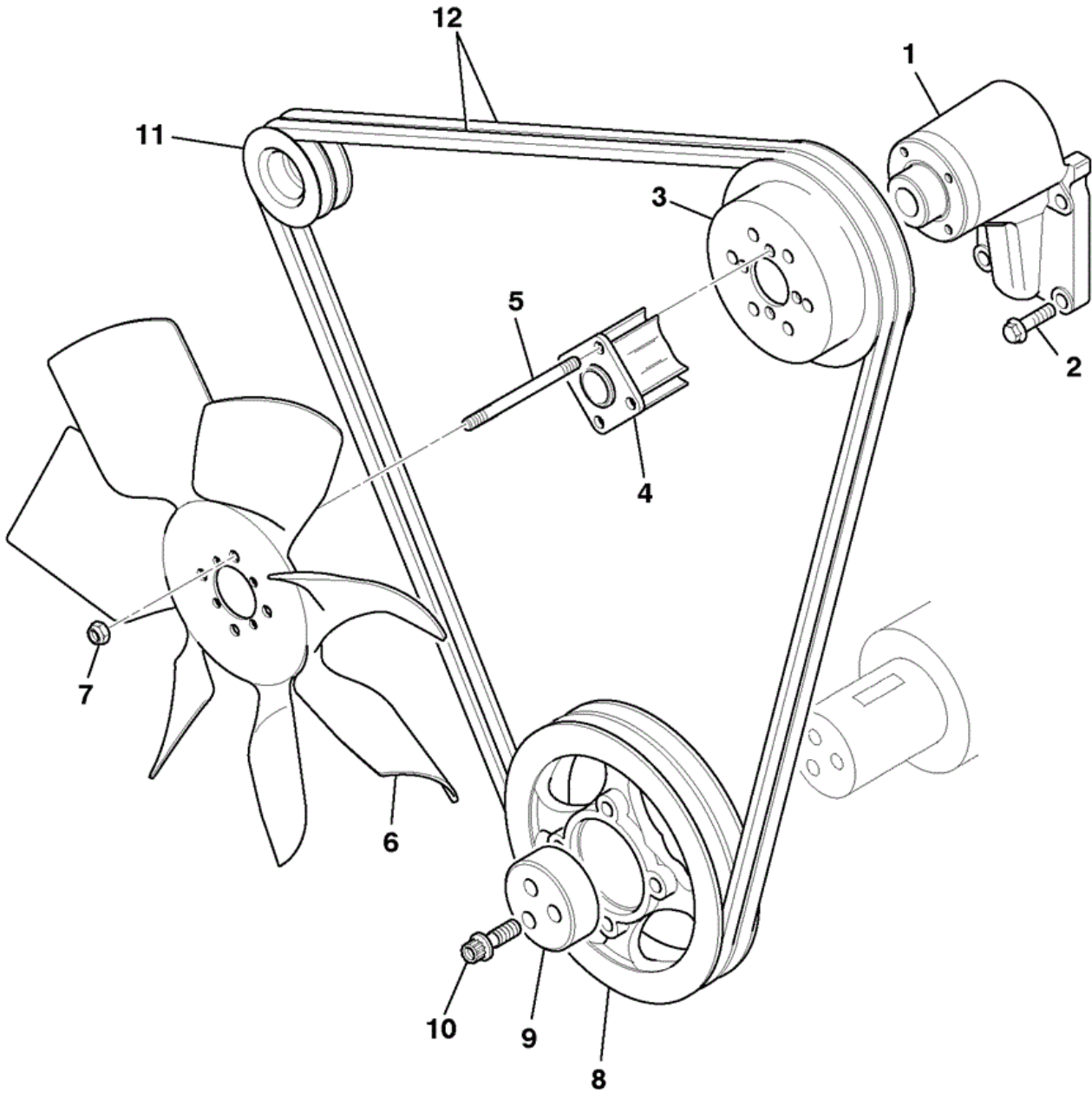


Item	Part #	Change No	Description	Usage Code	QTY
1	02/203091	Superseded	Crankshaft assembly		1

1	02/202910	Crankshaft assembly	1
2	:02/202911	Kit-main bearing standard	1
2	:02/202912	Kit-main bearing u/s 0.25mm	0
2	:02/202913	Kit-main bearing u/s 0.50mm	0
2	:02/202914	Kit-main bearing undersize (+)0.030"	0
2A	02/203172	Kit-main bearing standard oversize	0
2A	02/203173	Kit-main bearing oversize - 0.25mm	0
2A	02/203174	Kit-main bearing oversize - 0.50mm	0
2A	02/203175	Kit-main bearing oversize - 0.75mm	0
3	:02/202915	Kit-big end bearing standard	1
3	02/202916	Kit-big end bearing oversize - (+)0.010"	0
3	02/202917	Kit-big end bearing u/s 0.50mm	0
3	02/202918	Kit-big end bearing oversize - (+)0.030"	1
3A	02/203251	Kit-big end bearing Standard	0
3A	02/203252	Kit-big end bearing undersize (-)0.010"	0
3A	02/203253	Kit-big end bearing undersize (-)0.020"	0
3A	02/203254	Kit-big end bearing undersize (-)0.030"	0
4	:02/192083	Washer thrust top - standard	2
4	02/192011	Washer thrust top-oversize 0.19mm	0
5	:02/192084	Washer thrust bottom - standard	2
5	02/192013	Washer thrust btm-oversize 0.19mm	0
6	02/202919	Gear crankshaft	1
7	02/100038	Key	1
8	02/202922	Kit-conrod grade 'F' RED	4
8	02/202923	Kit-conrod grade 'G' ORANGE	0
8	02/202924	Kit-conrod grade 'H' WHITE	0
8	02/202925	Kit-conrod grade 'J' GREEN	0
8	02/202926	Kit-conrod grade 'K' PURPLE	0
8	02/202927	Kit-conrod grade 'L' BLUE	0
9	:02/202929	Bolt conrod	2
10	:02/202928	Bush small end	1
11	02/203092	Kit-piston	4
11	02/203205	Kit-piston & ring oversize 0.5mm	0
11	02/203206	Kit-piston & ring oversize 1.0mm	0
12	****	None serviced part	1
13	:02/201151	Circlip	2
14	:02/203093	Kit-piston ring	1



9802/7640 P1-5-1 FANS, PULLEYS & FAN BELT RE BUILD

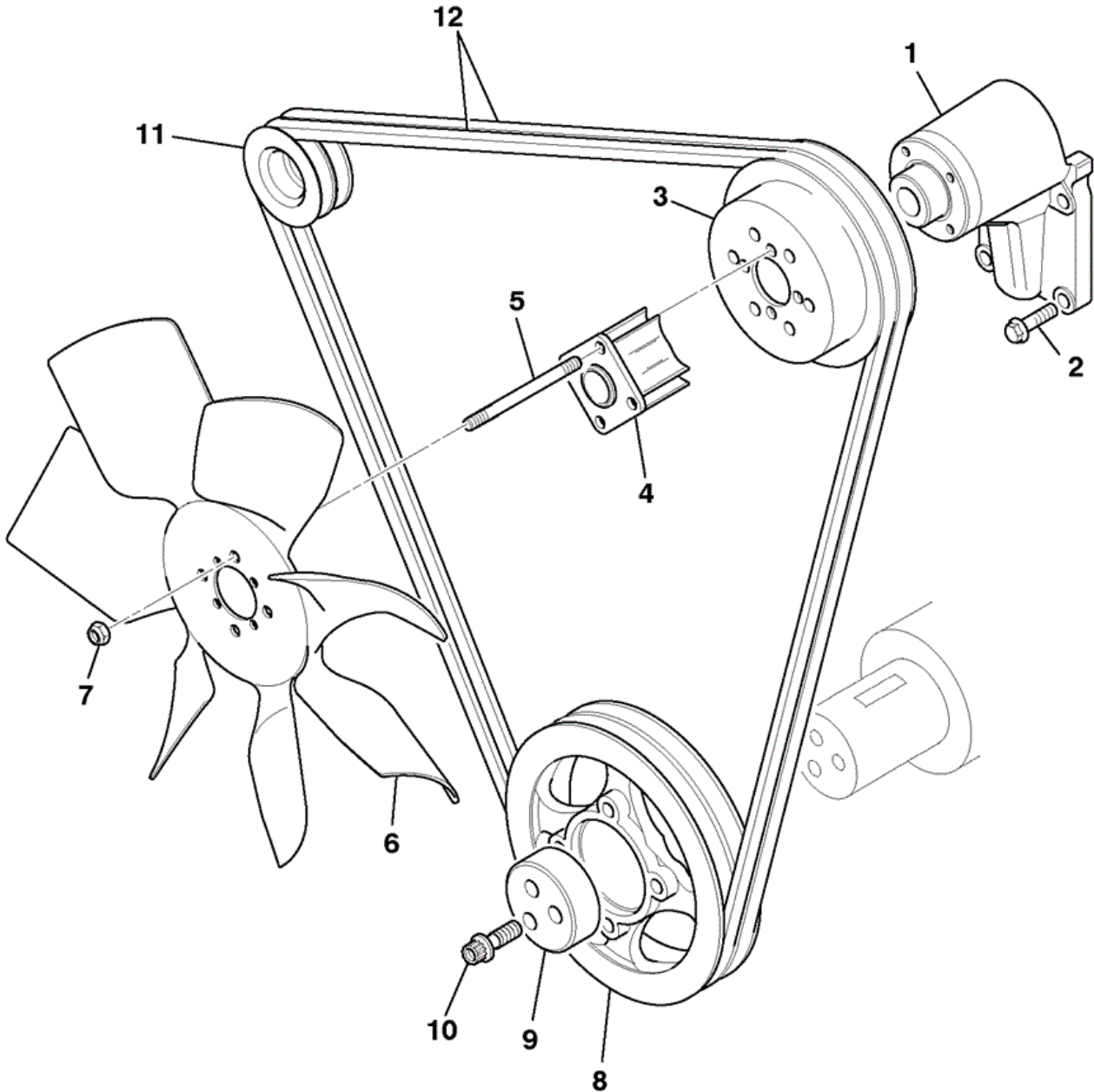


704900

Item	Part #	Change No	Description	Usage Code	QTY
1	02/203103		Housing fan drive		1
2	02/291096		Screw		4
3	02/201329		Pulley fan twin groove, 205mm		1

4	02/100097		Spacer fan 50.8mm	1
5	02/291201		Stud	4
6	30/925547		Fan 18" Puller 7 blade cooling	1
7	1370/0203D		Nut Lock M8	4
8	02/200018		Pulley crankshaft twin groove	1
9	02/200017		Block Thrust	1
10	02/100579		Screw	3
11	02/202443		Pulley alternator D=86mm twin groove	1
12	02/200739		Belt fan, pair	1

JCB 9802/7640 P1-5-2 FANS, PULLEYS & FAN BELT RE BUILD,
 HOT CLIMATE

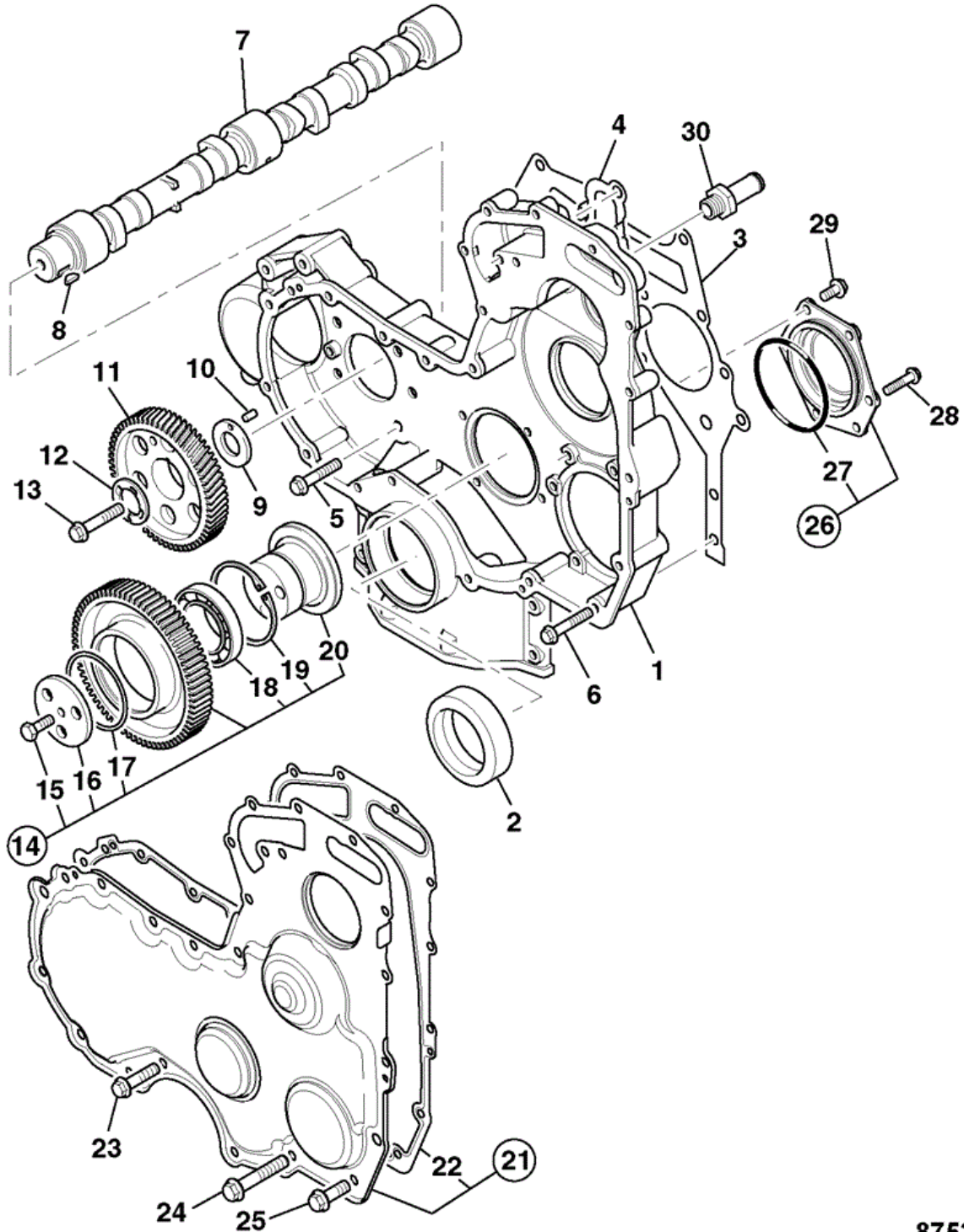


704900

Item	Part #	Change No	Description	Usage Code	QTY
1	02/203103		Housing fan drive		1

2	02/291096		Screw	4
3	02/201328		Pulley fan twin groove, 165mm	1
4	02/100097		Spacer fan 50.8mm	1
5	02/291201		Stud	4
6	30/925547		Fan 18" Puller 7 blade cooling	1
7	1370/0203D		Nut Lock M8	4
8	02/200018		Pulley crankshaft twin groove	1
9	02/200017		Block Thrust	1
10	02/100579		Screw	3
11	02/202443		Pulley alternator D=86mm twin groove	1
12	02/201401		Belt fan, single L=1425mm	1

JCB 9802/7640 P1-6-2 TIMING CASE CAMSHAFT & GEARS RE BUILD



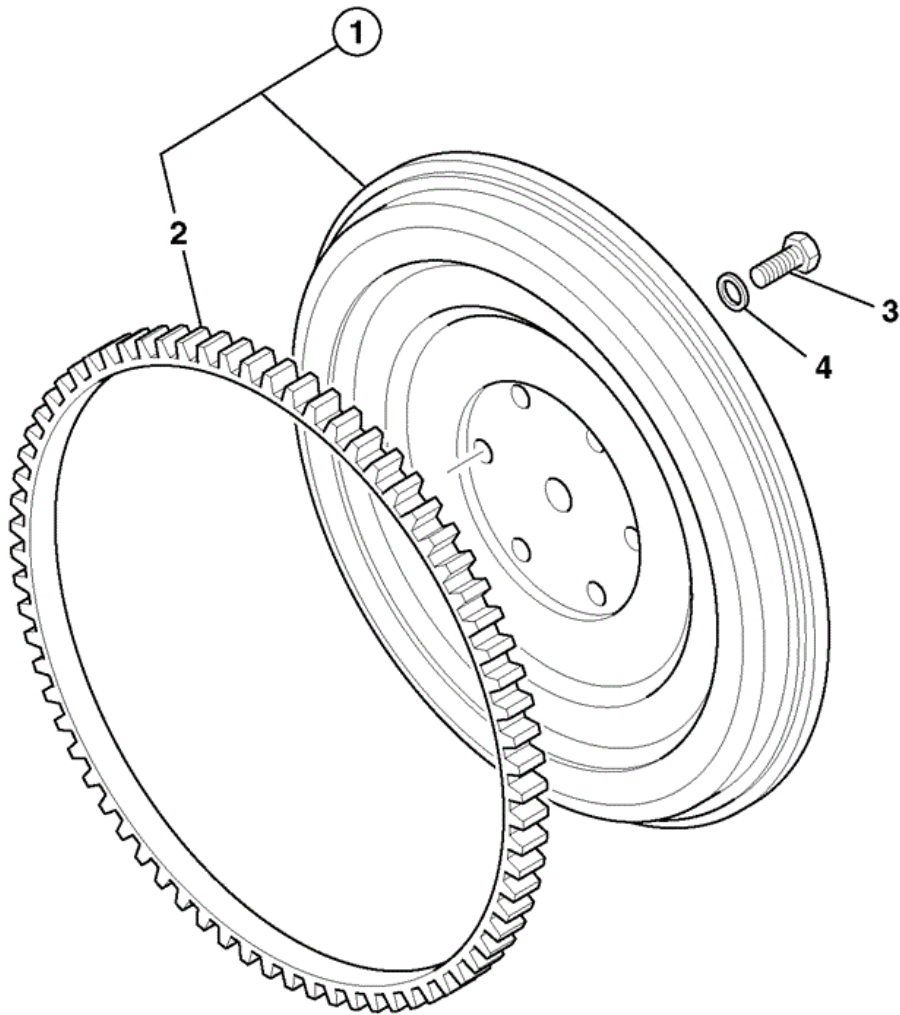
875390

Item	Part #	Change No	Description	Usage Code	QTY
1	02/202985		Casing timing		1

2	02/101435		Seal front oil	1
3	02/202984		Gasket timing case to block	1
4	02/202983		Gasket timing case	1
5	826/00869		Screw flange head	8
6	02/291033		Bolt	4
7	02/203117		Camshaft	1
8	02/100038		Key	1
9	02/291065		Washer	1
10	2102/0604		Dowel	1
11	02/202982		Gear camshaft	1
12	02/202986		Washer thrust	1
13	02/291196		Screw	1
14	02/202987		Gear idler	1
15	:1315/0203Z		Setscrew	1
16	:02/202988		Plate clamping	2
17	:02/202989		Washer	2
18	:02/202990		Bearing	1
19	:02/202991		Circlip	2
20	:02/202992		Hub gear	2
21	02/202993		Cover timing	1
22	:02/202994		Gasket timing cover	1
23	02/291016		Screw	9
24	02/291025		Bolt (M8 x 65)	5
25	826/00901		Screw	1
26	02/202995		Plate blanking	1
27	02/202996		O Ring	1
28	02/291031		Bolt	5
29	826/00901		Screw	1
30	02/100657		Adapter	1



9802/7640 P1-7-1 FLYWHEEL & STARTER RING GEAR RE BUILD



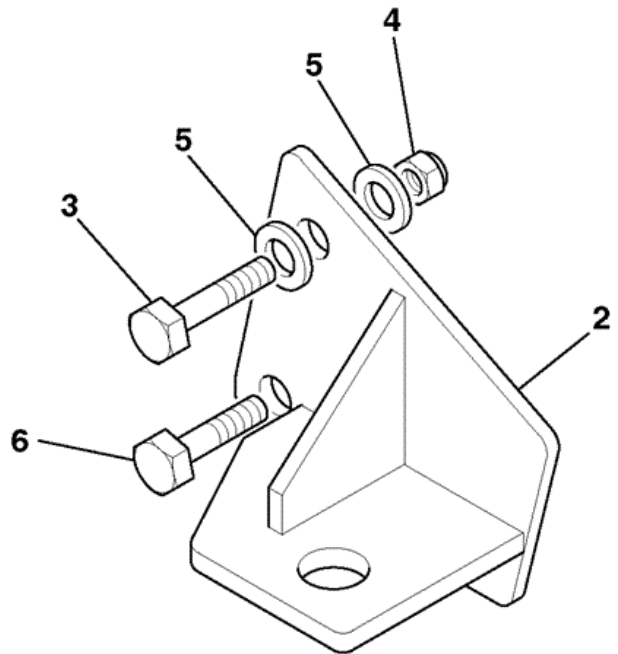
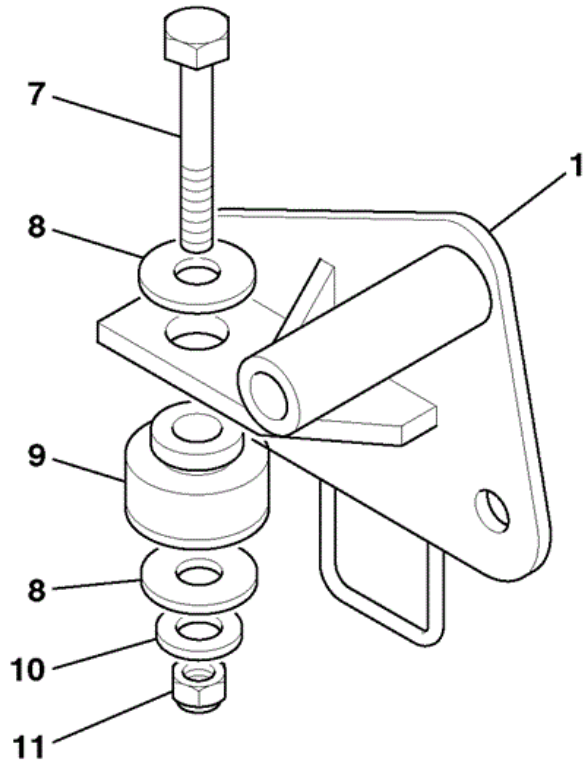
425660

Item	Part #	Change No	Description	Usage Code	QTY
1	02/101737	Superseded	Flywheel assembly		1

1	02/202564		Flywheel Flywheel assembly	1
2	:02/100078		Gear starter ring	1
3	02/100570		Setscrew	6
4	02/200725		Washer	6



9802/7640 P1-8-1 ENGINE MOUNTINGS RE BUILD



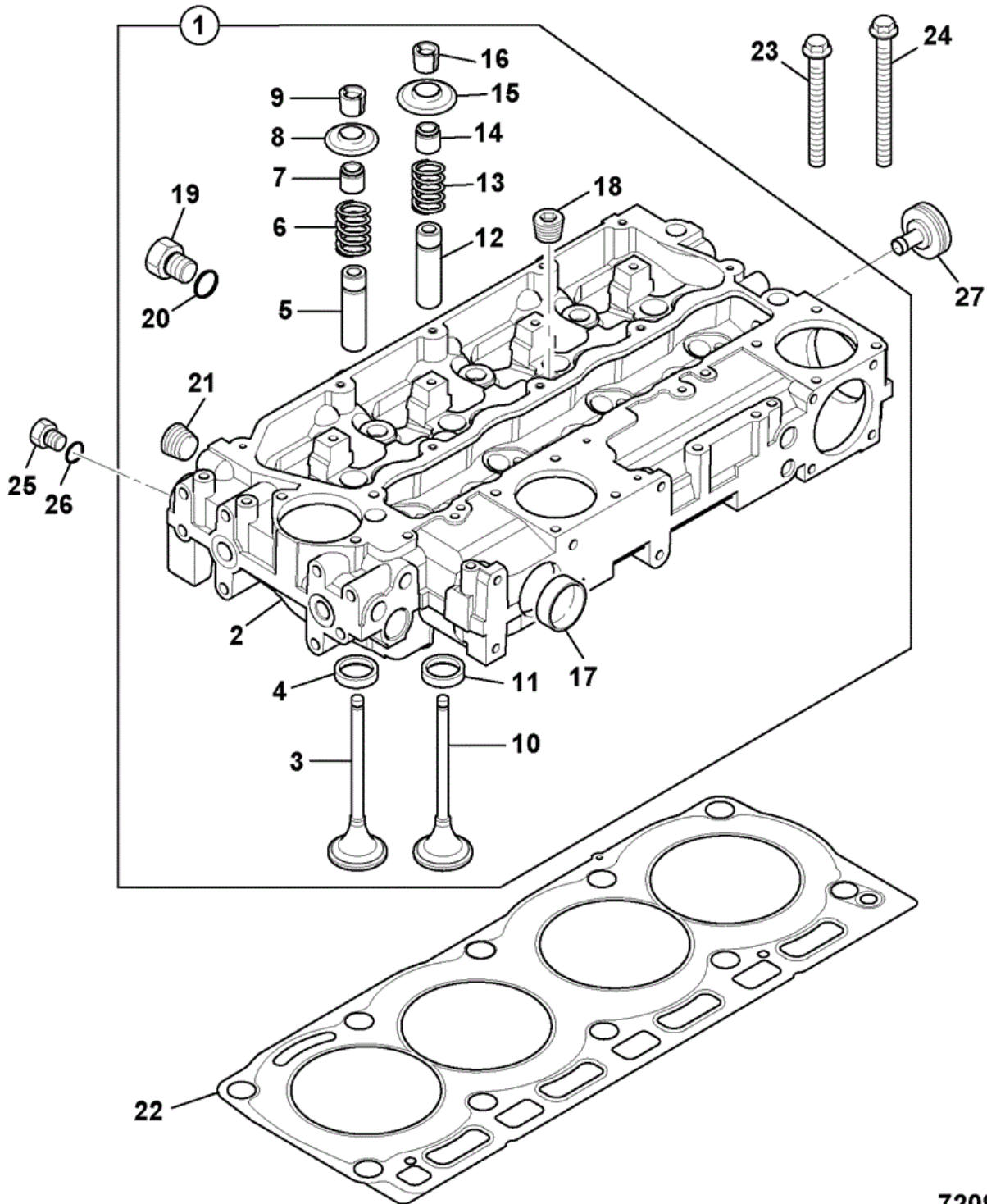
303900

Item	Part #	Change No	Description	Usage Code	QTY
1	335/03069		Bracket engine mounting left hand		1
2	190/25500		Bracket engine mounting right hand		1
3	1315/3717Z		Bolt M16 x 75mm		2

4	1370/0603Z	Nut lock M16	2
5	1420/0011Z	Washer (M16)	4
6	1315/0710Z	Setscrew	2
7	1315/3519Z	Bolt M12x90mm	2
8	111/15709	Washer	4
9	111/30101	Mounting metalastik	2
10	823/00309	Washer hardened (13mm x 23mm x 2.7mm)	2
11	1340/0403Z	Nut lock	2



9802/7640 P2-1-1 CYLINDER HEAD RE BUILD



720920

Item	Part #	Change No	Description	Usage Code	QTY
1	02/203211		Head cylinder assembly		1
2	****		None serviced part		1
3	:02/202941		Valve inlet		4

Thank you so much for reading.
Please click the “Buy Now!”
button below to download the
complete manual.



After you pay.

You can download the most
perfect and complete manual in
the world immediately.

Our support email:

ebooklibonline@outlook.com