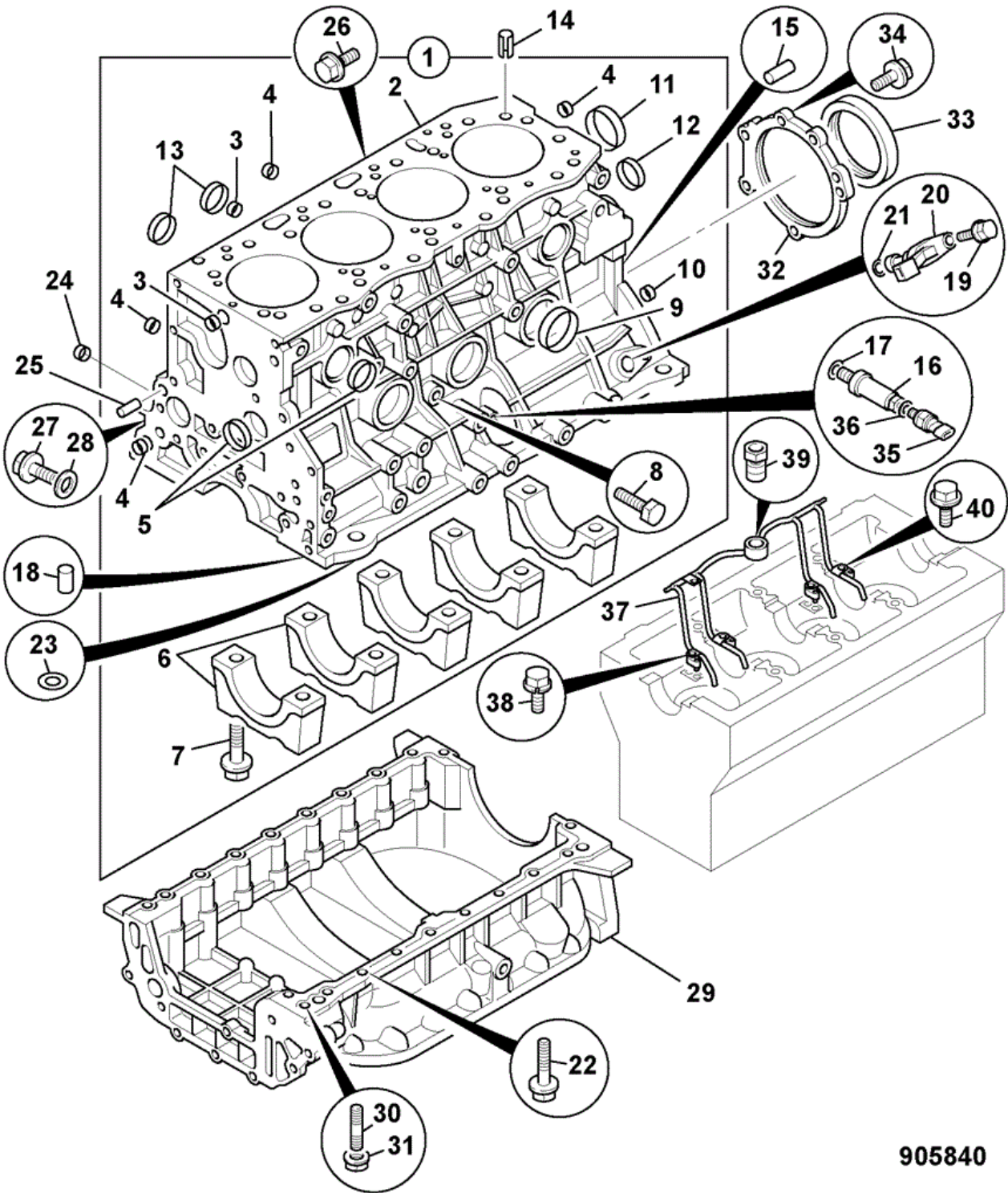




9812/5060 R1-3-1 BLOCK ASSEMBLY

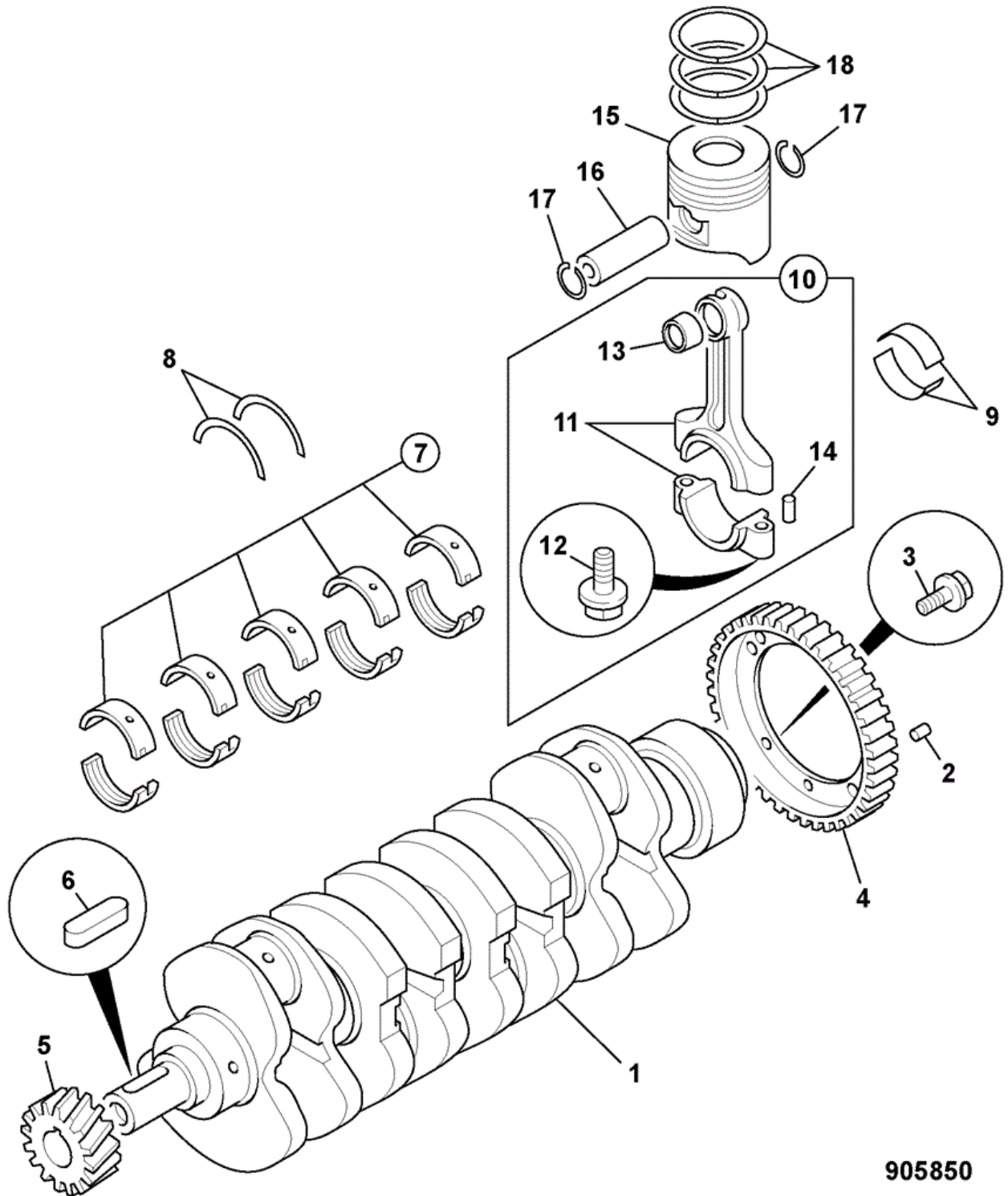


905840

Item	Part #	Change No	Description	Usage Code	QTY
1	02/802396		Block assembly cyl.		1
2	****		None serviced part		1
3	:5112190080		Cup sealing, D=18		2

4	:5111290060		Plug sealing, D=16	6
5	:5112190150		Plug D=32	4
6	****		None serviced part	1
7	:8944326420		Bolt	10
8	:02/800019		Plug water drain, PT 1/4	2
9	:02/801711		Plug D=45	3
10	:5096000130		Plug D=12	1
11	:5112190180		Cup sealing, D=36	1
12	:5112190170		Cup sealing, D=38	1
13	:5112190180		Cup sealing, D=36	2
14	8944533440		Dowel	2
15	02/801812		Pin	2
16	02/802399		Nozzle oil pressure warning	1
17	02/802398		Gasket nozzle oil pressure warning	1
18	9098785970		Pin	2
19	02/802407		Bolt sensor M6x16	1
20	02/802405		Sensor angle position	1
21	:02/802406		Gasket position sensor crankshaft	1
22	02/802401		Bolt M8x25	19
23	02/802404		Gasket crankshaft / cable	1
24	1096050500		Plug	5
25	02/802400		Pin flywheel housing	1
26	9096065350		Bolt	1
27	8943168000		Plug	1
28	9095714140		Washer seal	1
29	02/802415		Casing crankshaft	1
30	02/802416		Stud crankcase	1
31	02/802388		Nut cover M8	1
32	02/802499		Housing crankshaft seal	1
33	02/800905		Seal rear oil	1
34	02/802401		Bolt M8x25	5
35	716/30341		Sensor oil pressure	1
36	32/919404		Washer seal	1
37	02/802617		Pipe oil jet	1
38	02/802615		Bolt	1
39	02/802618		Valve relief	1
40	02/802616		Bolt	4

JCB 9812/5060 R1-4-1 CRANKSHAFT, BEARINGS PISTONS &
 CON-RODS



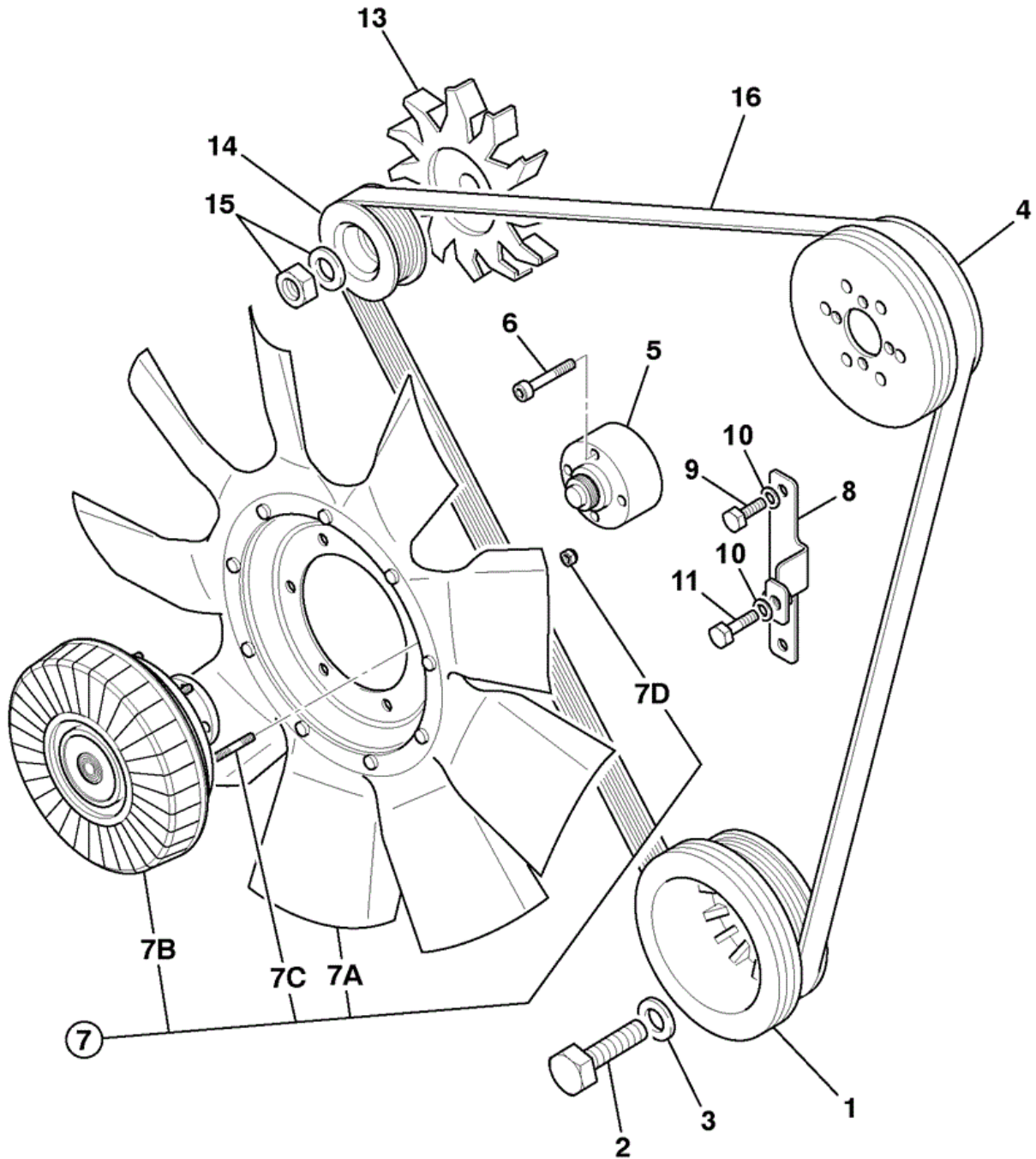
905850

Item	Part #	Change No	Description	Usage Code	QTY
1	02/802458		Crankshaft		1

2	02/800894		Pin dowel	1
3	02/802477		Bolt timing ring	3
4	02/802476		Rotor crankshaft sensor	1
5	02/802466		Gear crankshaft pulley	1
6	02/800901		Key woodruff	1
7	02/802459		Kit-main bearing grade 1	5
7	02/802460		Kit-main bearing grade 2	5
7	02/801713		Kit-main bearing grade 3	5
7	02/802461		Kit-main bearing grade 4	5
7	02/802462		Kit-main bearing grade 5	5
8	02/800886		Kit-thrust washer	2
9	02/802339		Kit-bearing big end	4
10	02/802474		Rod connecting	4
11	****		None serviced part	1
12	:02/800893		Bolt conrod	2
13	:02/802475		Bush connecting rod	1
14	:02/800894		Pin dowel	2
15	02/802469		Piston grade A	4
15	02/802470		Piston grade B	4
15	02/802471		Piston grade C	4
16	02/802473		Pin gudgeon	4
17	02/800899		Ring snap	8
18	02/802472		Kit-piston ring standard	4



9812/5060 R1-5-1 FANS,PULLEYS & BELTS EU ONLY



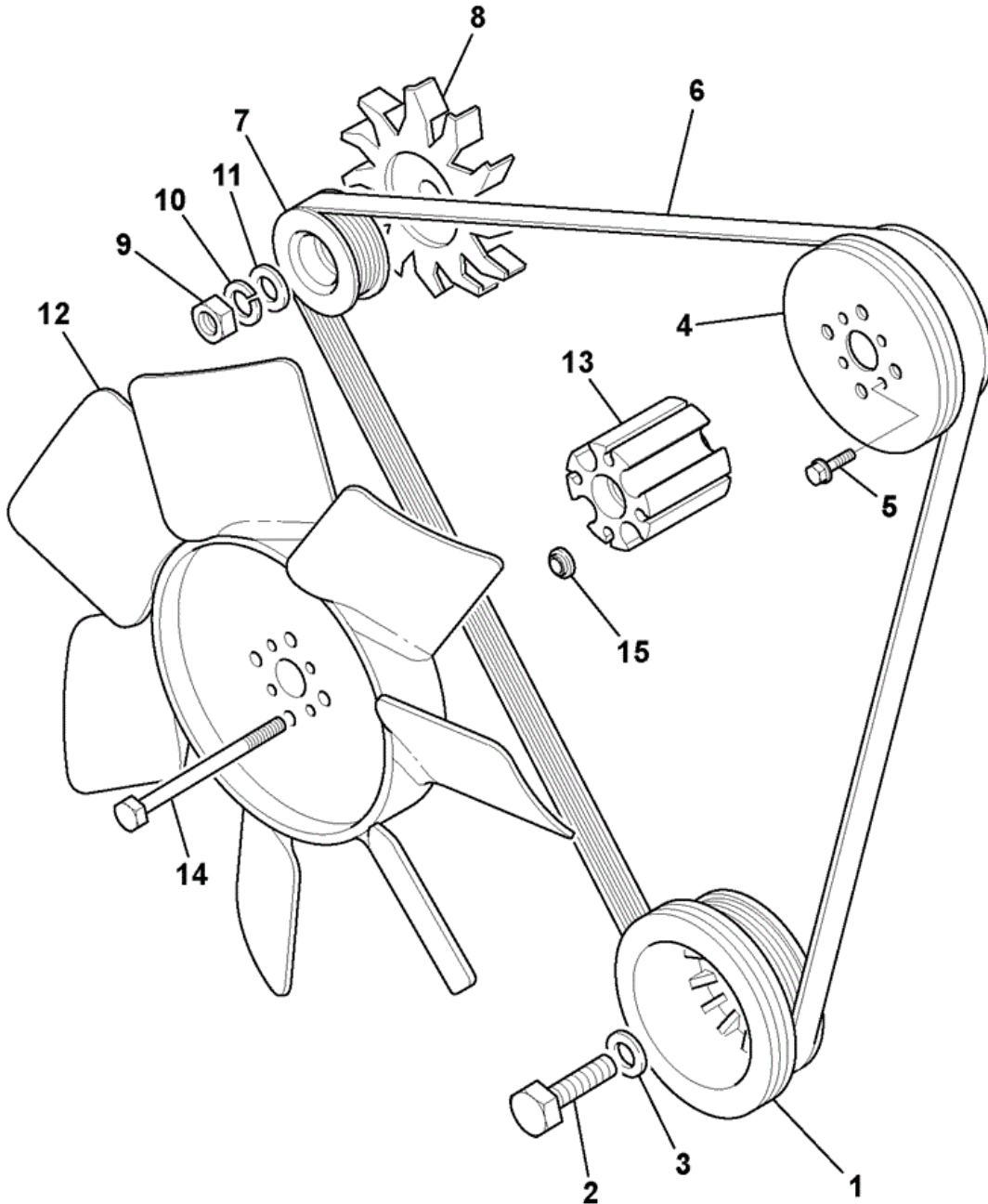
905860

Item	Part #	Change No	Description	Usage Code	QTY
1	02/802464		Pulley crankshaft		1
2	02/800244		Bolt		1
3	02/800908		Washer crankshaft		1

4	02/802543		Pulley fan		1
5	829/31540		Spacer fan		1
6	1391/3308D		Capscrew M8 x 30mm		4
7	332/J5112		Fan viscous clutch assembly		1
7A	:30/927052		Fan 550mm diameter		1
7B	:332/F5668		Clutch fan		1
7C	:30/927058		Bolt		6
7D	:30/927041		Sensor anti-rotation c/w fittings and Bracket		1
8	335/13872		Bracket cable retention		1
9	1316/0201D		Screw		2
10	1420/0006D		Washer (M6)		3
11	1316/0203D		Screw		1
13	02/802652		Fan alternator		1
14	02/802651		Pulley alternator		1
15	1812294740		Nut		1
16	02/802540		Belt fan		1



9812/5060 R1-5-2 FANS,PULLEYS & BELTS NON EU



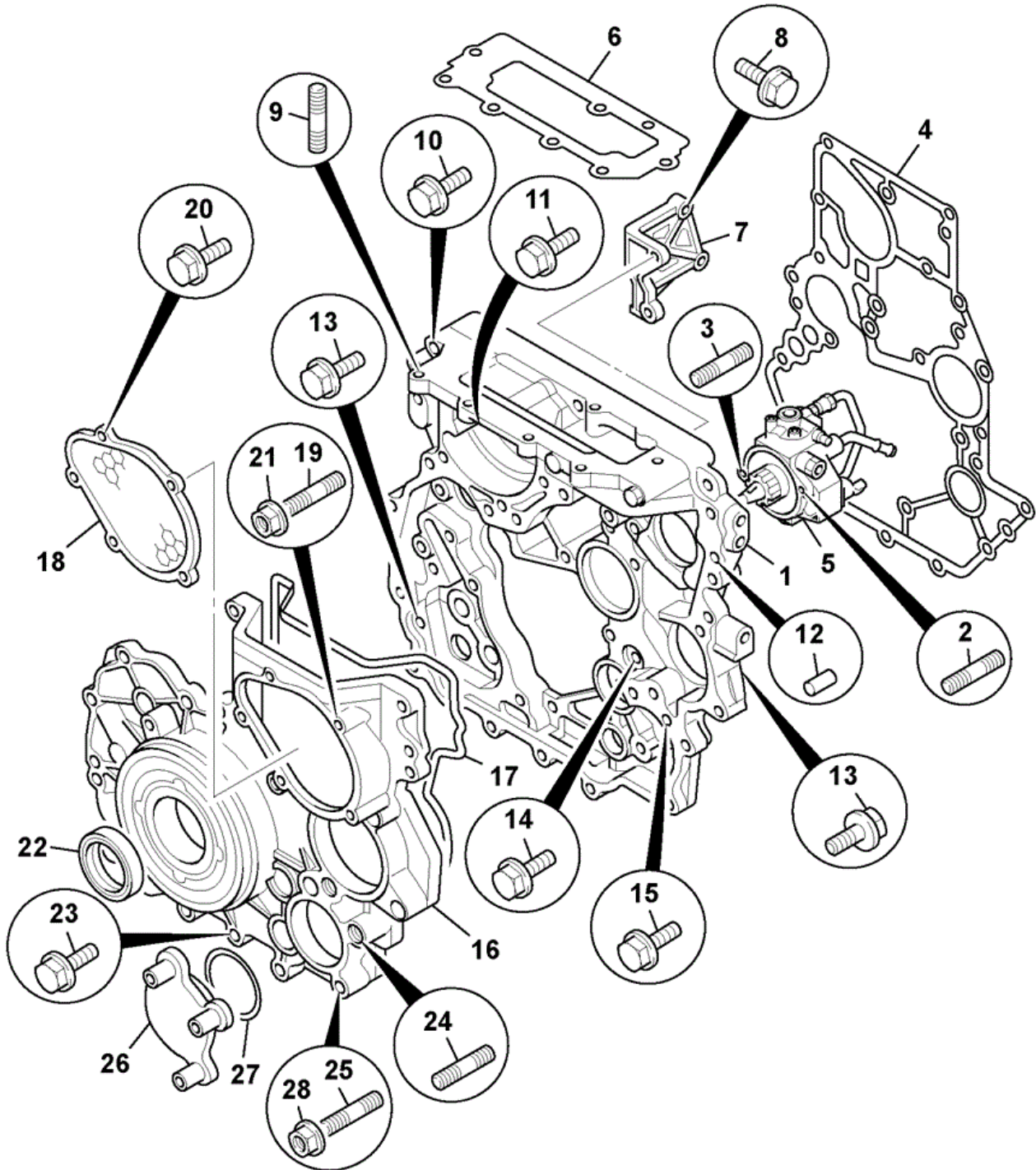
905870

Item	Part #	Change No	Description	Usage Code	QTY
1	02/802464		Pulley crankshaft		1
2	02/802465		Bolt crankshaft pulley		1
3	02/800908		Washer crankshaft		1

4	02/802543		Pulley fan	1
5	0208006120		Bolt M6x12	2
6	02/802540		Belt fan	1
7	02/802651		Pulley alternator	1
8	02/802652		Fan alternator	1
9	1812294740		Nut	1
10	1812294790		Washer spring	1
11	1812294780		Washer plain	1
12	30/926121		Fan puller D=550mm	1
13	829/31408		Spacer fan heavy duty pump	1
14	826/11178		Bolt M8 x 95 lg	4
15	331/35722		Collar fan mounting	4



9812/5060 R1-6-1 TIMING CASE & FRONT COVER



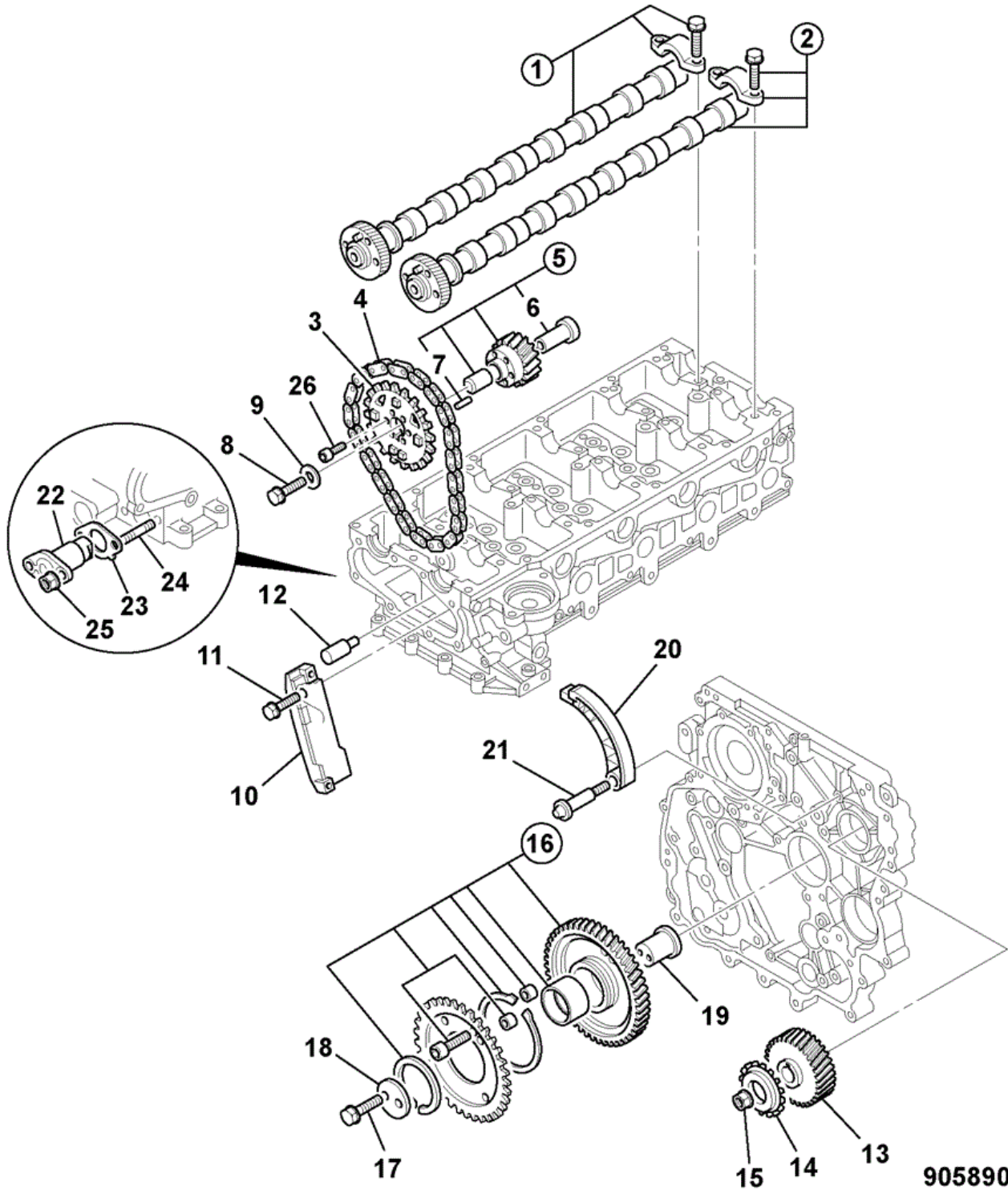
905880

Item	Part #	Change No	Description	Usage Code	QTY
1	02/802478		Case timing gear		1
2	02/802495		Stud		1
3	02/802496		Stud		1

4	02/802480		Gasket gear case - cylinder		1
5	****		'See Remark' <i>Fuel injection pump, see section R6-1-1</i>		1
6	02/802504		Gasket 1.40mm thick 1 notch		1
6	02/802505		Gasket 1.45mm thick 2 notch		1
6	02/802506		Gasket 1.50mm thick 3 notch		1
7	02/802492		Bracket gear case cover		1
8	02/802484		Bolt		3
9	02/802494		Stud		2
10	02/802393		Bolt M8x60		1
11	02/802482		Bolt M8 x 35		1
12	02/801812		Pin		2
13	02/802358		Bolt		16
14	02/802418		Bolt M8X16		1
15	02/802483		Bolt		2
16	02/802489		Cover gear case		1
17	02/802485		Gasket gear case - cover		1
18	02/802497		Seal oil crankshaft front		1
19	02/802493		Stud M6x16		2
20	02/802407		Bolt sensor M6x16		3
21	02/802351		Nut		2
22	02/802497		Seal oil crankshaft front		1
23	02/802488		Bolt		14
24	02/802487		Stud		1
25	02/802486		Stud		6
26	02/802490		Cover		1
27	02/802491		Gasket		1
28	02/802388		Nut cover M8		3



9812/5060 R1-6-2 CAMSHAFTS & TIMING GEARS



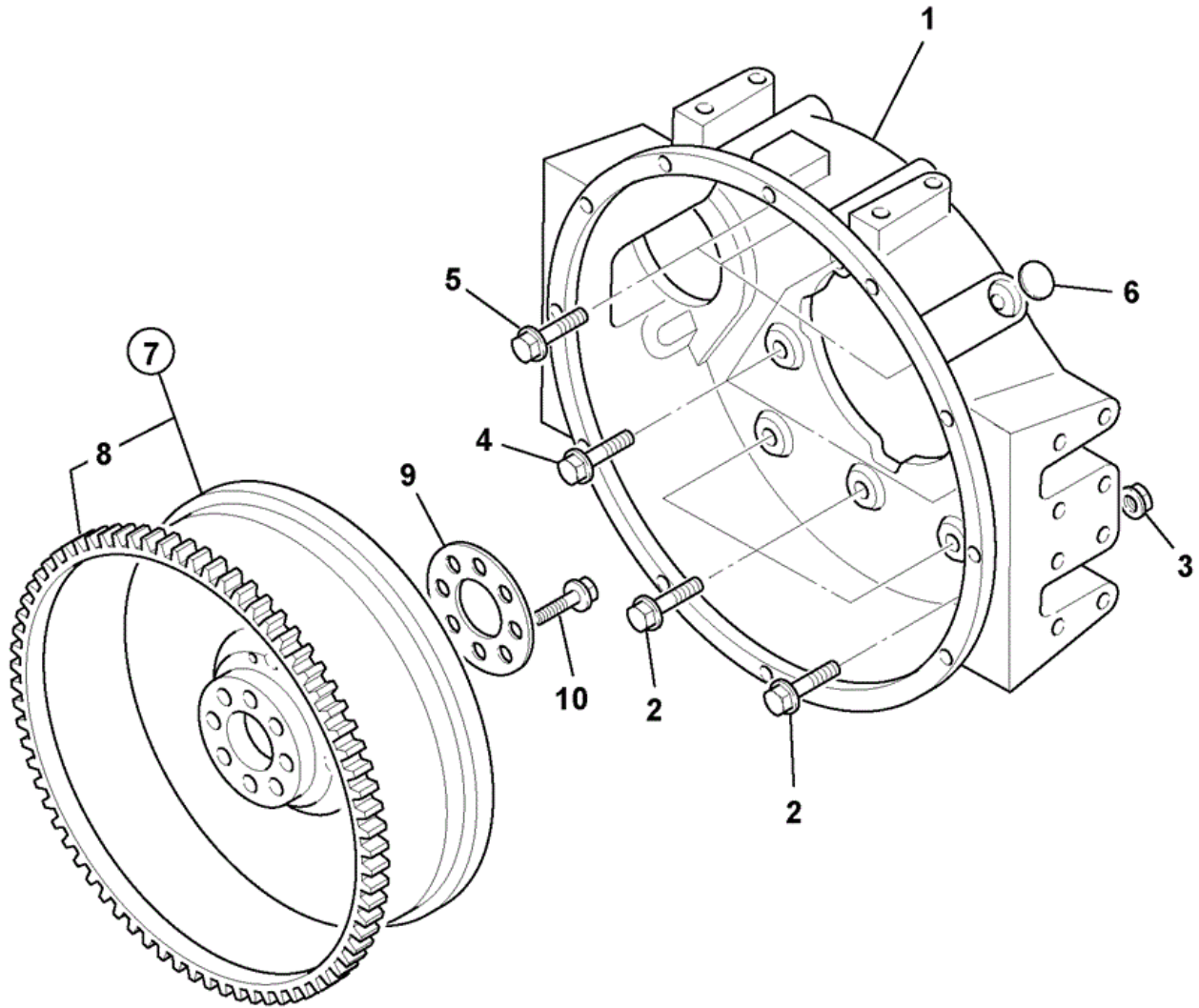
905890

Item	Part #	Change No	Description	Usage Code	QTY
1	02/802421		Camshaft exhaust		1
2	02/802420		Camshaft inlet		1
3	02/802443		Sprocket idler		1

4	02/802445		Chain timing	1
5	02/802439		Gear idler	1
6	:02/802437		Shaft idler gear	1
7	:9081605100		Pin thrust 50Dx10	1
8	02/802441		Bolt idler gear	1
9	02/802451		Flange	1
10	02/802447		Guide timing chain	1
11	02/802449		Bolt	2
12	02/802448		Jet oil timing chain	1
13	02/802454		Gear injection pump	1
14	332/H4347		Sprocket injection pump	1
15	02/802456		Nut	1
16	02/802438		Gear idler	1
17	02/802440		Bolt idler gear	2
18	02/802450		Flange	1
19	02/802436		Shaft idler gear	1
20	02/802453		Lever tension	1
21	02/802457		Pivot chain lever	1
22	02/802446		Adjuster chain tensioner	1
23	02/802442		Gasket chain tensioner	1
24	02/802455		Stud	2
25	02/802351		Nut	2
26	02/802444		Bolt	6



9812/5060 R1-7-1 FLYWHEEL & HOUSING



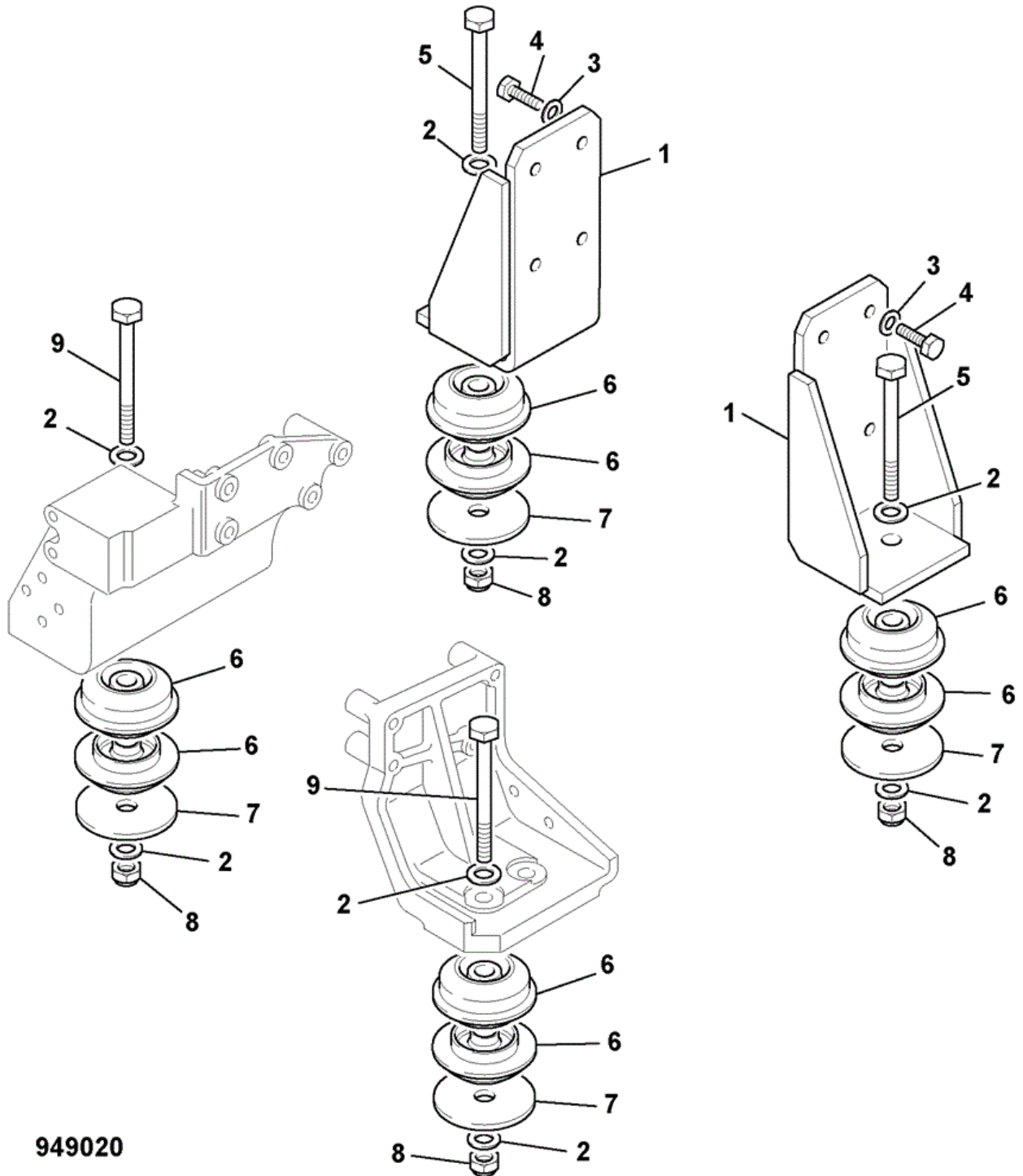
905900

Item	Part #	Change No	Description	Usage Code	QTY
1	02/802479		Housing flywheel		1
2	02/802502		Bolt		4
3	02/802154		Nut		1

4	5090002270		Bolt M12 X 25mm		3
5	02/802501		Bolt		3
6	02/802503		Cover		1
7	02/802463		Flywheel		1
8	:02/802467		Gear starter ring		1
9	02/800268		Plate locking		1
10	02/802468		Bolt flywheel washer		8



9812/5060 R1-8-1 ENGINE MOUNTINGS



949020

Item	Part #	Change No	Description	Usage Code	QTY
1	335/12761		Mounting engine		2
2	JHP0043		Washer M16		8
3	1420/0009D		Washer (M12)		8

Thank you so much for reading.
Please click the “Buy Now!”
button below to download the
complete manual.



After you pay.

You can download the most
perfect and complete manual in
the world immediately.

Our support email:

ebooklibonline@outlook.com