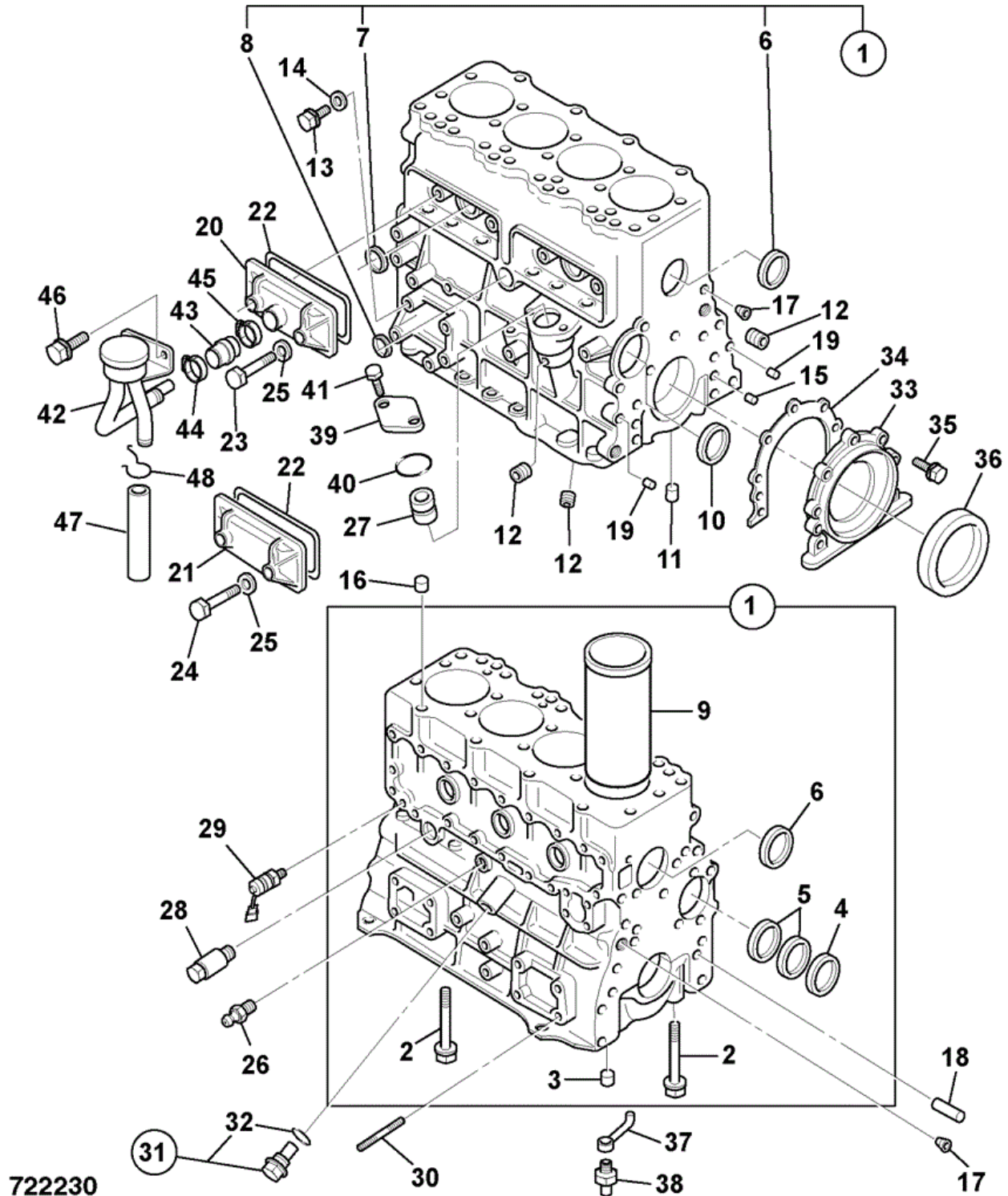




9802/5664 R1-3-1 BLOCK ASSEMBLY

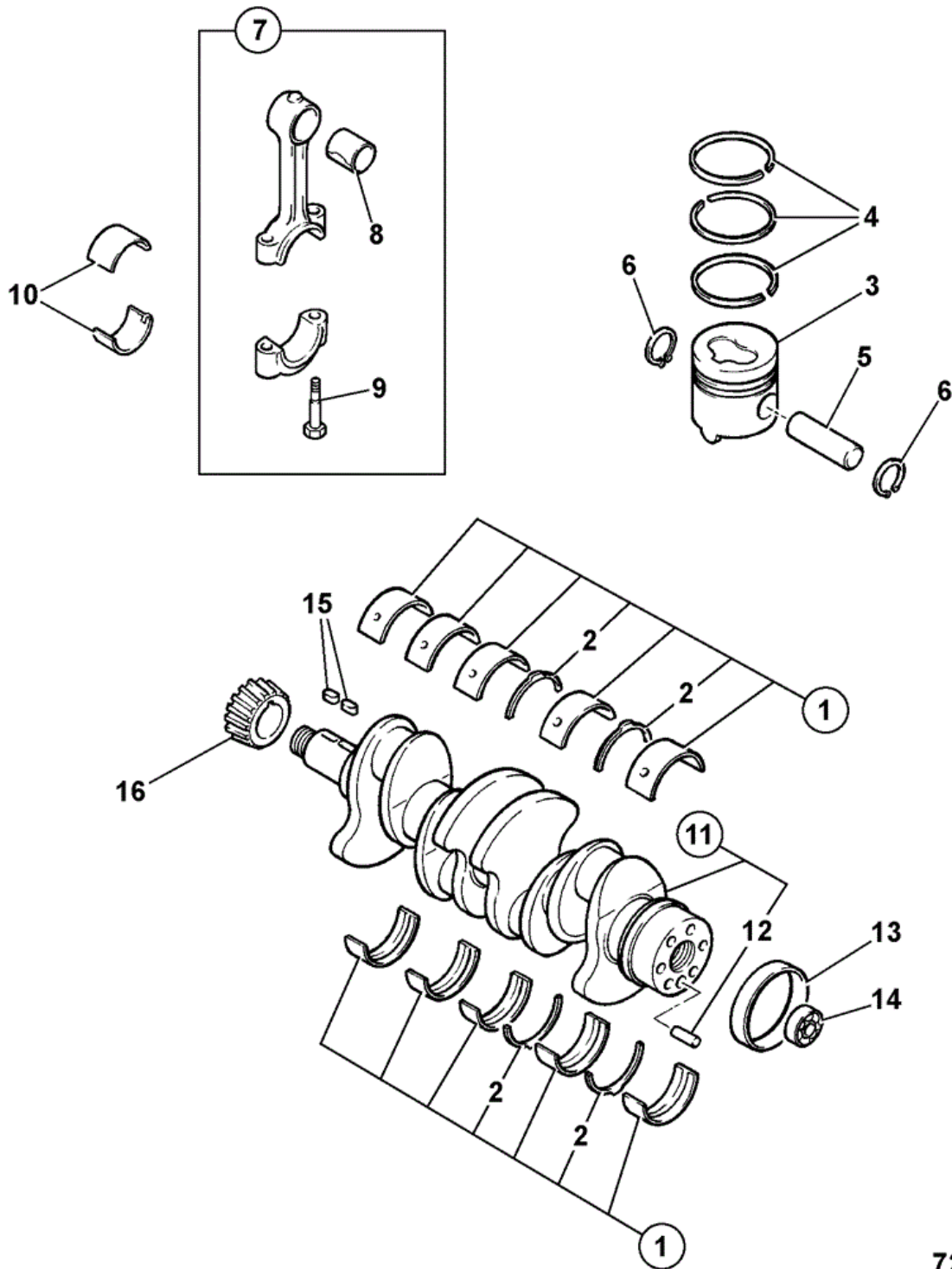


722230

Item	Part #	Change No	Description	Usage Code	QTY
1	02/800300		Block assembly, cylinder		1
2	:02/801541		Bolt		10

3	02/800012		Dowel	1
4	:9116110480		Bearing camshaft, front	1
5	:9116130350	Superseded	Bearing camshaft inter & rear	2
5	:9116930350		Bearing centre & rear	2
6	:1096000520		Plug d=60	2
7	:5112190140		Plug d=28	1
8	:1096000121		Plug tappet chamber, D=32	2
9	:02/801542		Liner cylinder	4
10	:02/800292		Cup sealing	1
11	:9992055170		Plug	1
12	:5096050180		Plug D=1/8"	7
13	:9992023140		Plug	1
14	::9095720140		Washer seal	1
15	9081510180		Pin D=10 x L=18	2
16	8941480790		Dowel D=16	2
17	1096050681		Plug	2
18	1097400780		Pin	1
19	02/801633		Pin 8ODx16	2
20	02/801549		Cover tappet chamber	2
21	:02/801548		Cover tappet chamber	1
22	1112920200		Gasket	2
23	02/800294		Bolt	2
24	02/800007		Bolt L=56	2
25	9095720080		Washer seal	4
26	5096600330		Adapter	1
27	5112240040		Bush	1
28	1096800250		Tap water drain	1
29	701/54500		Switch oil pressure	1
30	1093000550		Stud L1=45	1
31	8970233390		Valve oil relief, assembly	1
32	:5096230350		O Ring	1
33	02/801644		Retainer seal	1
34	02/800296		Gasket rear seal housing	1
35	02/800496		Bolt	7
36	02/801525		Seal oil, rear	1
37	02/800450		Jet piston cooling	4
38	1131610120		Valve check, assembly	4
39	1112191291		Cover oil pump	1
40	:1096234650		O Ring	1
41	02/800949		Bolt flange head M8 X 20mm	2
42	02/801660		Breather breather air	1
43	02/801547		Hose breather-cover L=53	1
44	02/801659		Clip	1
45	02/801661		Clip	1
46	0280808120		Bolt	2
47	02/800061		Tube	0
48	5097040331		Clip pipe	1

JCB 9802/5664 R1-4-1 CRANKSHAFT, BEARINGS PISTONS &
 CON-RODS



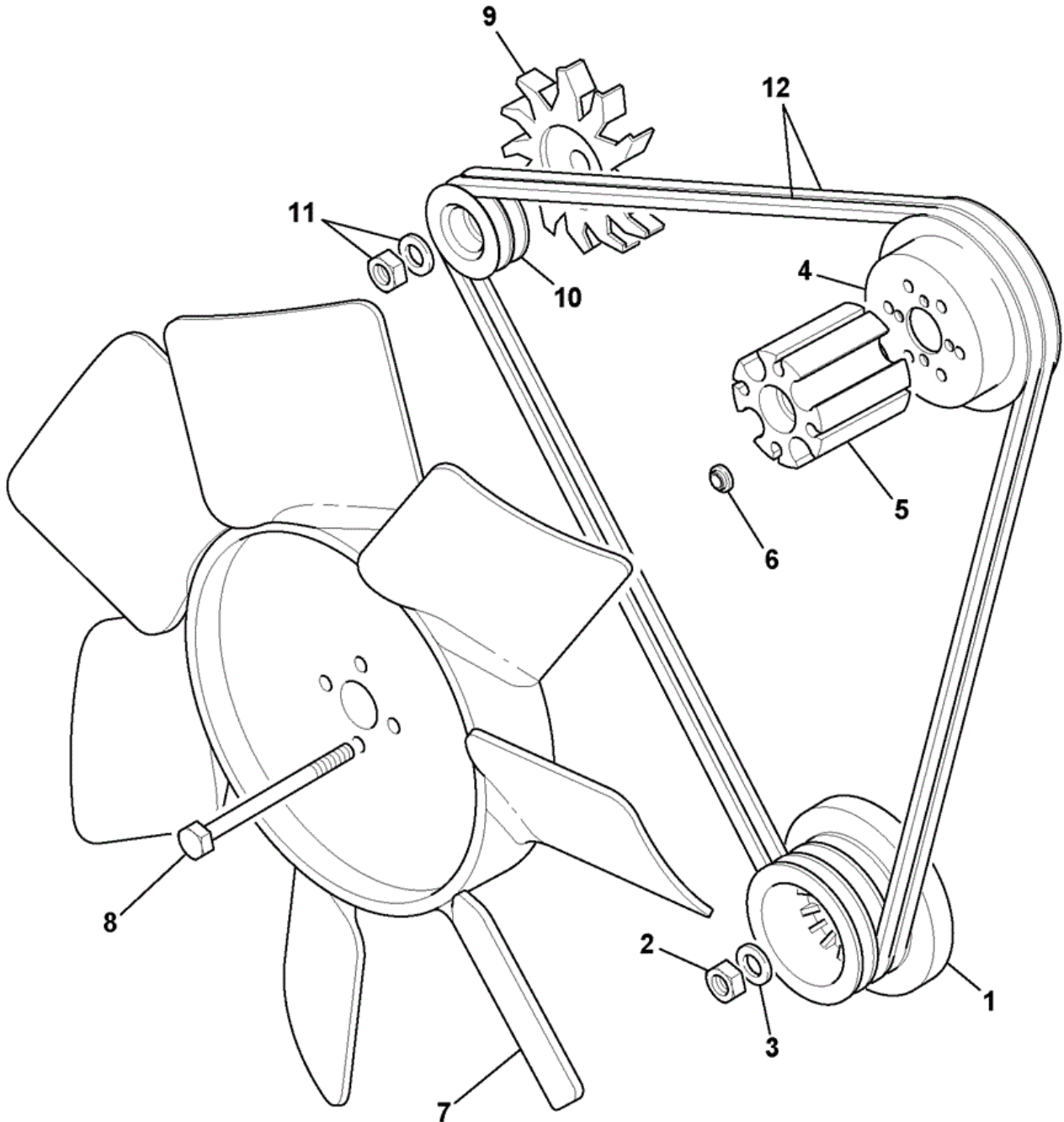
722441

Item	Part #	Change No	Description	Usage Code	QTY
1	02/800792		Kit-main bearing Standard		1

2	:02/801638		Washer thrust	2
3	02/801641		Piston AX grade	4
4	02/801518		Kit-piston ring standard	4
5	02/800305		Pin gudgeon	4
6	02/801519		Ring snap,piston pin	8
7	02/800310		Rod connecting, assembly	4
8	:02/800306		Bush small end	1
9	:1122350270		Bolt	2
10	9122716080		Kit-big end Standard	4
11	02/801744		Crankshaft Crankshaft assembly	1
12	9081612200		Pin	1
13	****		'See Remark' <i>Not required</i>	1
14	****		'See Remark' <i>Not required</i>	1
15	:02/800008		Key	2
16	02/800318		Gear crankshaft	1



9802/5664 R1-5-1 FANS, PULLEYS & FAN BELT



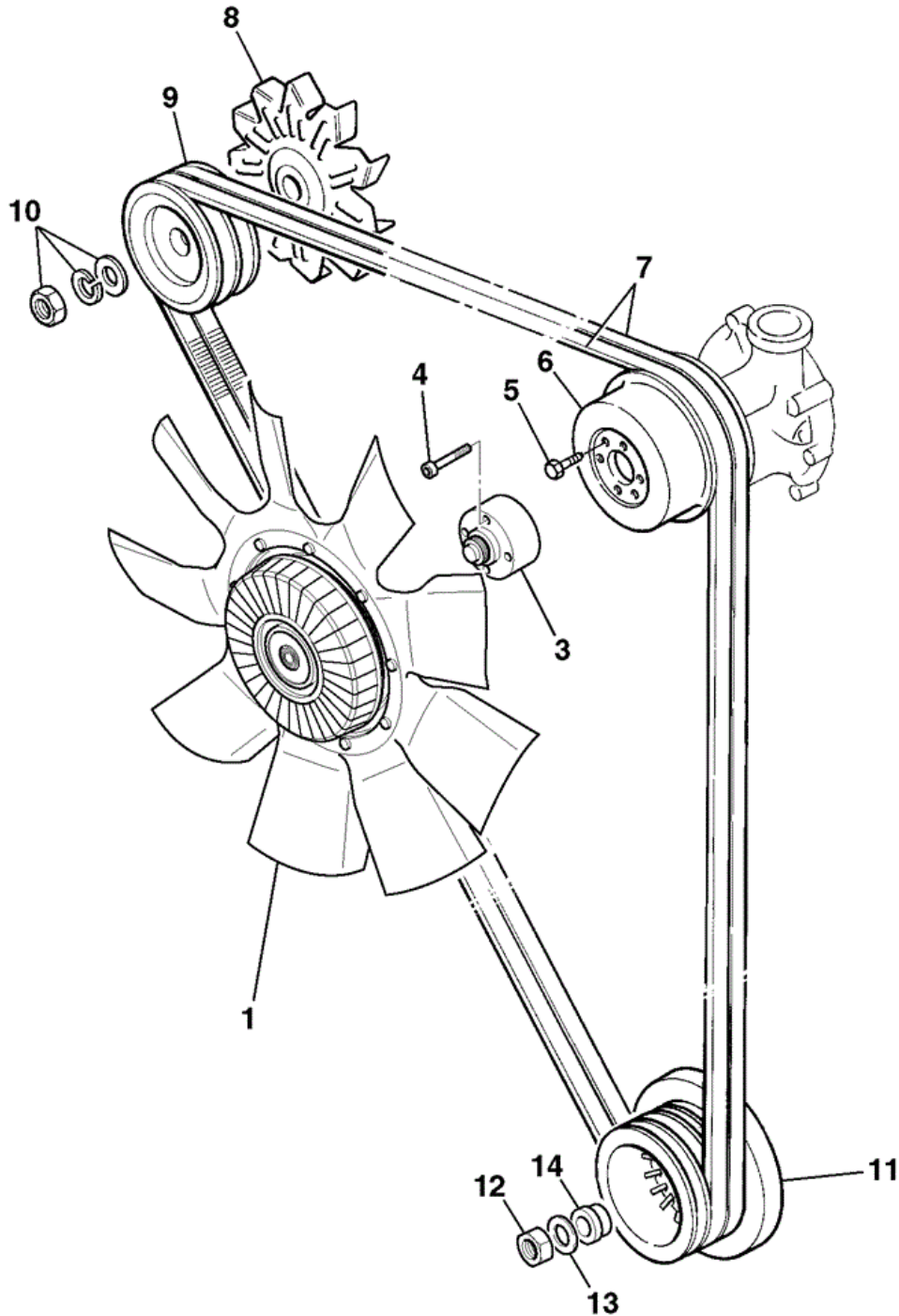
722432

Item	Part #	Change No	Description	Usage Code	QTY
1	02/801639		Pulley crankshaft triple groove		1
2	5123780020		Nut		1

3	5095030240		Washer		1
4	02/800314	<OCT-2005	Pulley waterpump		1
4	02/802028	>OCT-2005	Pulley water pump		1
5	02/801497	<OCT-2005	Spacer fan-pulley		1
5	829/31409	>OCT-2005	Spacer fan		1
6	331/35722		Collar fan mounting		4
7	02/800315		Fan cooling		1
8	1316/3320D	<OCT-2005	Bolt M8 X 100		4
8	826/11178	>OCT-2005	Bolt M8 x 95 lg		1
9	****		'See Remark' <i>See Alternators C2 Index</i>		1
10	****		'See Remark' <i>See Alternators C2 Index</i>		1
11	****		'See Remark' <i>See Alternators C2 Index</i>		1
12	02/801603		Belt fan (pair) L=1215mm		1



9802/5664 R1-5-2 FANS,PULLEYS & FAN BELT EU ONLY

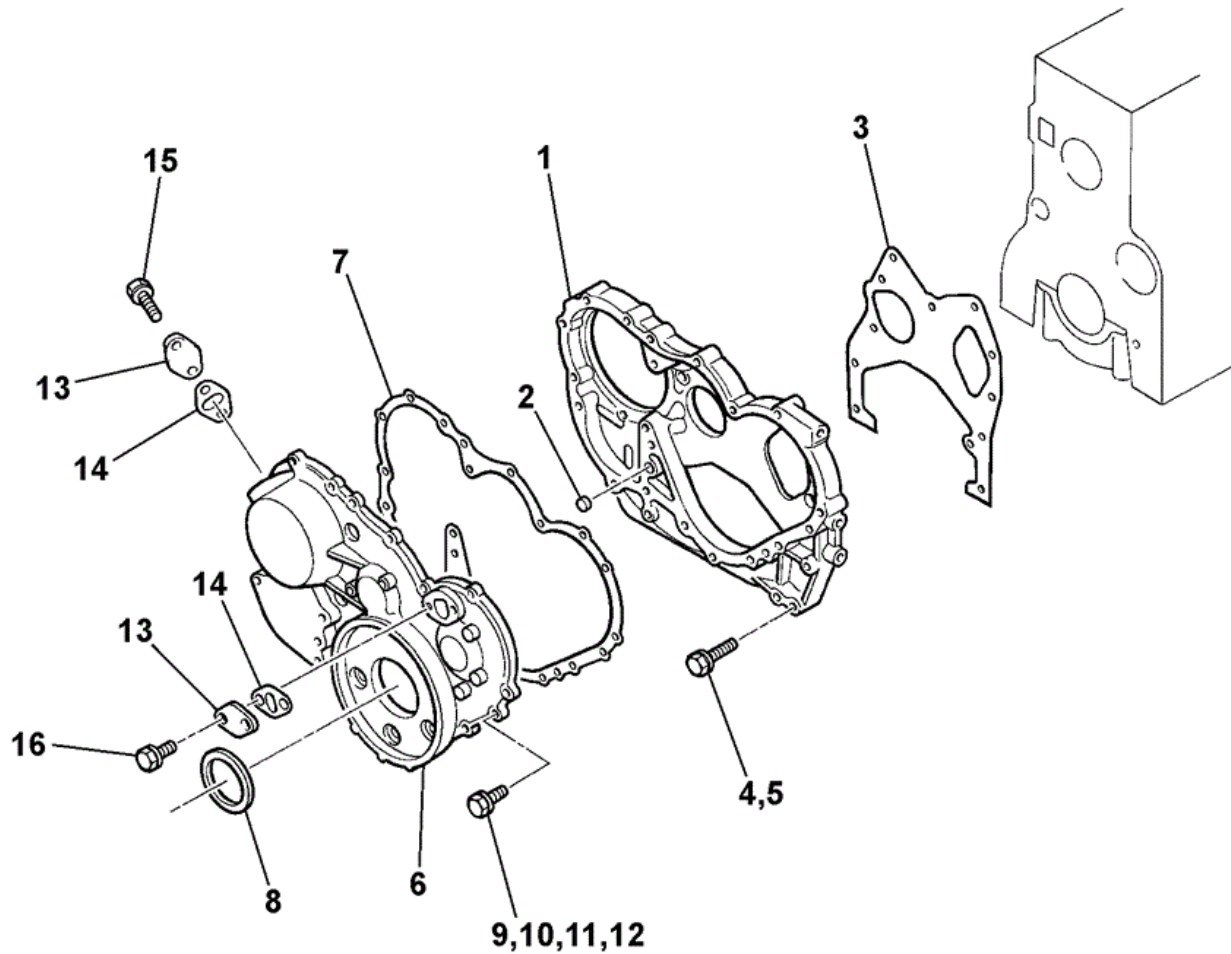


815950

Item	Part #	Change No	Description	Usage Code	QTY
1	30/926604		Fan viscous drive		1
1A	:30/927052		Fan 550mm diameter		1

1B	:30/927044		Coupling viscous fan	1
1C	:30/927058		Bolt	6
3	829/31481		Spacer fan	1
4	1391/3313D		Capscrew	4
5	9034906100		Screw	2
6	02/802028		Pulley water pump	1
7	02/801499		Belt fan, (PAIR) L=1256	1
8	714/27220		Fan generator <i>Alternator see section C2</i>	1
9	714/25101		Pulley alternator twin groove <i>Alternator see section C2</i>	1
10	****		'See Remark' <i>Alternator see section C2</i>	1
11	1123712480		Pulley crankshaft	1
12	9098401071		Nut	1
13	9098514310		Washer	1
14	02/801586		Bush	1

JCB 9802/5664 R1-6-1 TIMING CASE



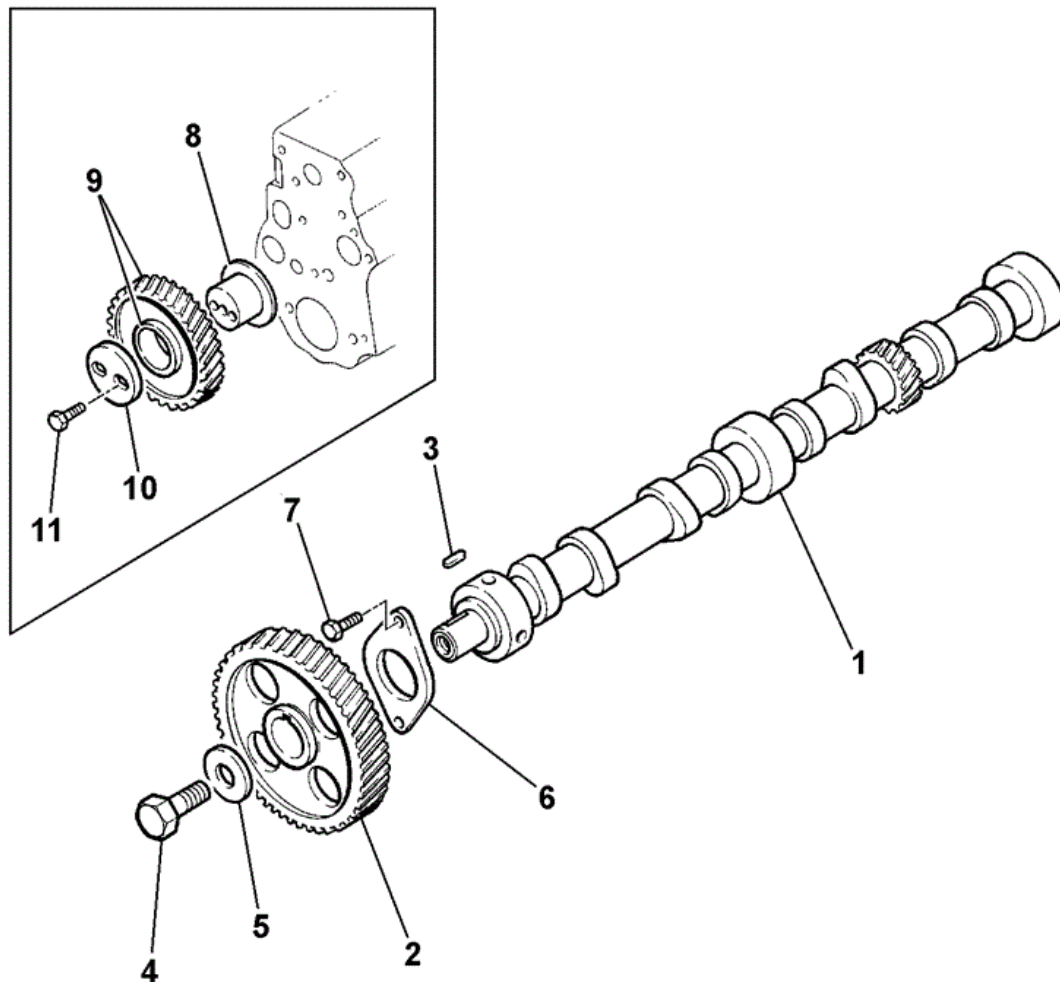
722420

Item	Part #	Change No	Description	Usage Code	QTY
1	02/800319		Casing timing		1
2	02/800321		Pin 110Dx8		1

3	02/800322		Gasket timing case	1
4	02/800915		Bolt flange head M8 X 45mm	2
5	02/801610		Bolt flange M8x22	4
6	02/800323		Cover timing	1
7	02/801643		Gasket timing cover	1
8	1096254380		Seal oil, front	1
9	02/801610		Bolt flange M8x22	8
10	02/801062		Bolt	1
11	02/800916		Bolt Bolt flange head M8 X 55mm	4
12	02/800951		Bolt flange head M10 X 50mm	3
13	02/800254		Cover inspection	2
14	02/800430		Gasket inspection cover	2
15	0280806120		Bolt flange head M6 x 12	4
16	0280806120		Bolt flange head M6 x 12	4



9802/5664 R1-6-2 CAMSHAFT & GEARS



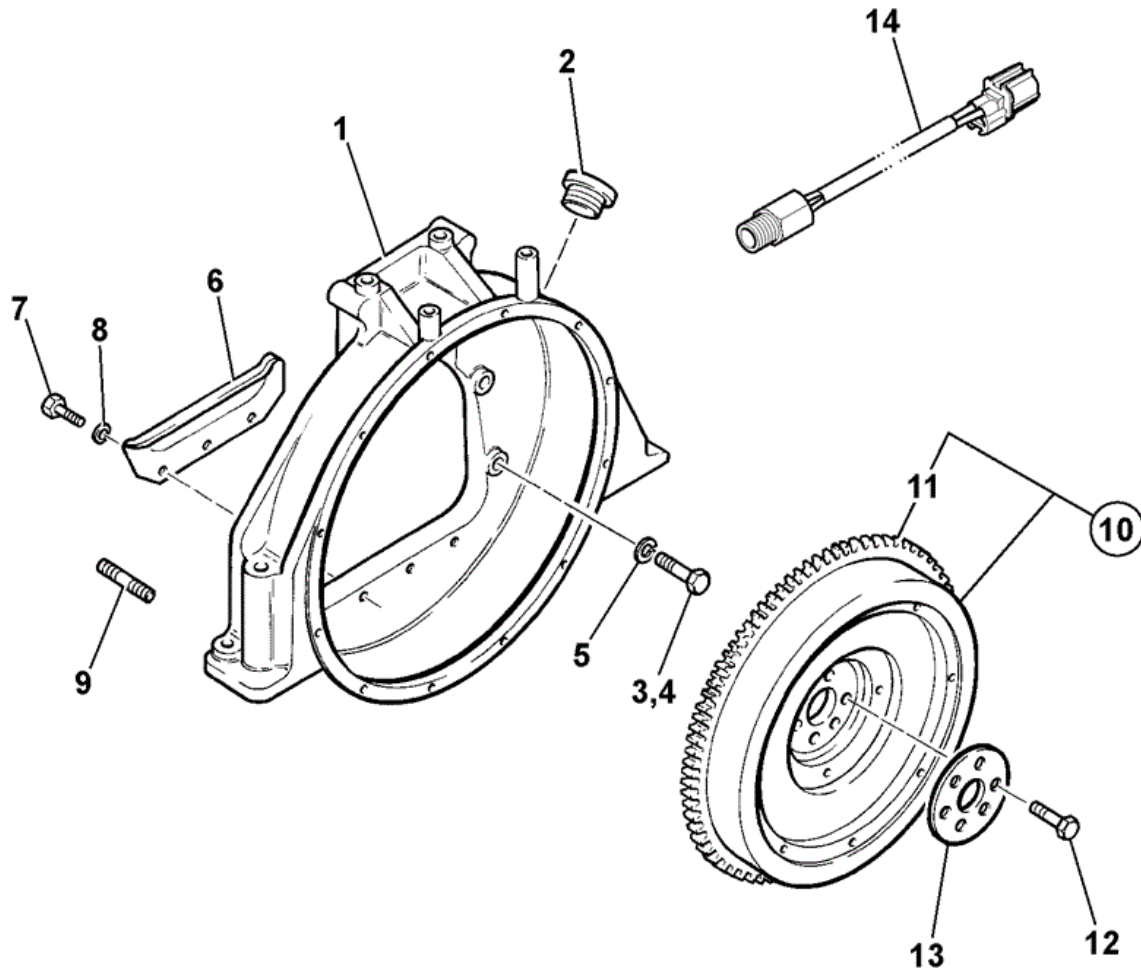
722410

Item	Part #	Change No	Description	Usage Code	QTY
1	8944094120	Superseded	Camshaft		1
1	02/800037		Camshaft		1

2	02/801528		Gear camshaft	1
3	9080107200		Key	1
4	5090002360		Bolt	1
5	02/800009		Washer cam	1
6	9116810150		Plate thrust	1
7	0500408250		Bolt	2
8	9125310300		Hub idler gear	1
9	02/800327		Gear idler	1
10	5125350011		Collar thrust	1
11	5090300381		Bolt L=55	2



9802/5664 R1-7-1 FLYWHEEL & HOUSING

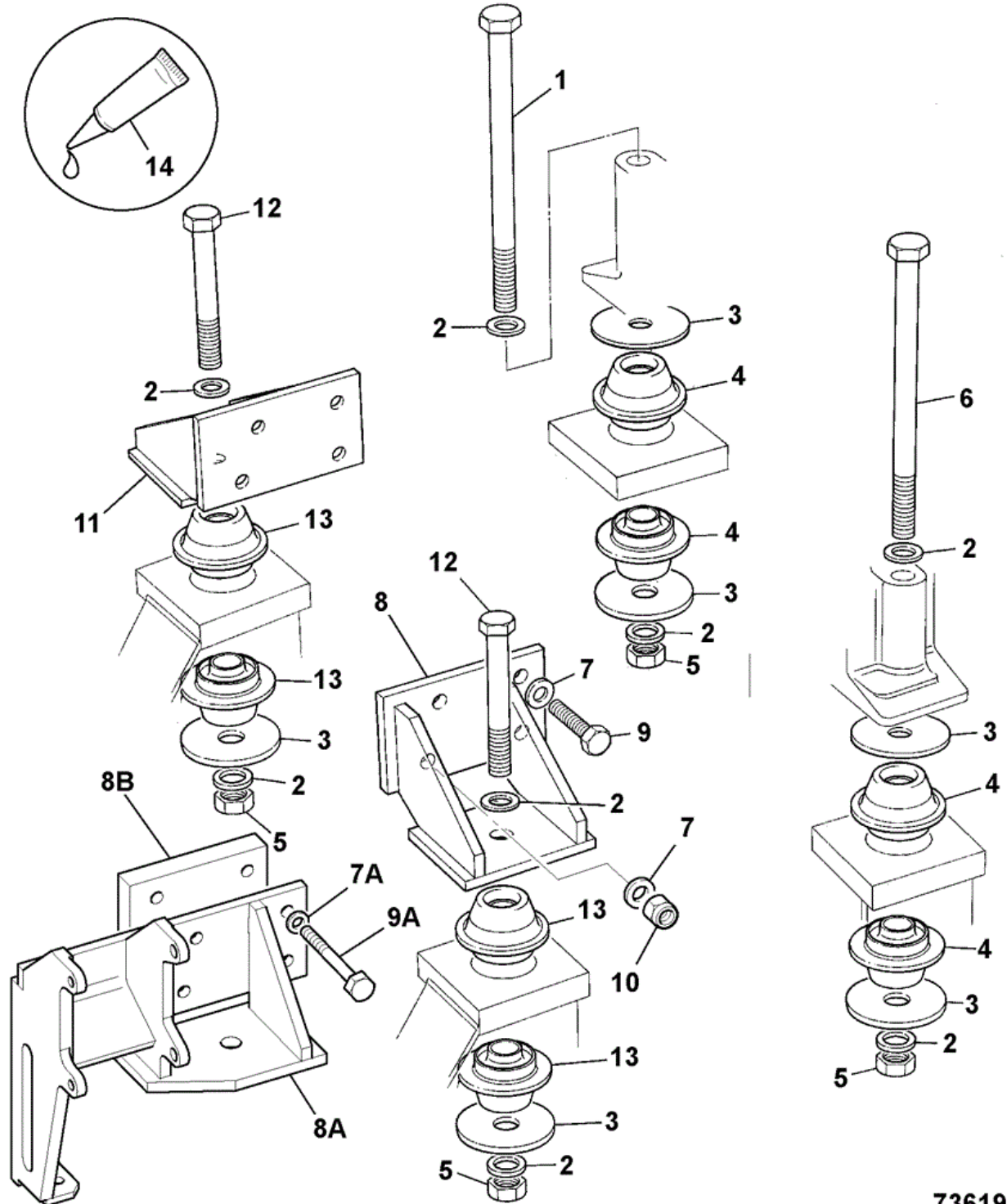


722360

Item	Part #	Change No	Description	Usage Code	QTY
1	02/800328		Housing flywheel		1
2	9113491341		Cover timing		1

3	0108064500		Bolt		2
4	0108064650		Bolt		4
5	9091505140		Washer spring		6
6	8970428010		Cover dust		1
7	02/801526		Bolt		3
8	9091505060		Washer spring		3
9	9944112350		Stud M12 x 35 L=53		2
10	02/800330		Flywheel assembly		1
11	02/801637		Gear ring		1
12	5123340030		Bolt L=36		6
13	5123360030		Plate clamping		1
14	701/57400		Sensor engine speed		1

JCB 9802/5664 R1-8-1 ENGINE MOUNTINGS



736191

Item	Part #	Change No	Description	Usage Code	QTY
1	1316/3726Z		Bolt hex. head		1
2	JHP0043		Washer M16		8

Thank you so much for reading.
Please click the “Buy Now!”
button below to download the
complete manual.



After you pay.

You can download the most
perfect and complete manual in
the world immediately.

Our support email:

ebooklibonline@outlook.com