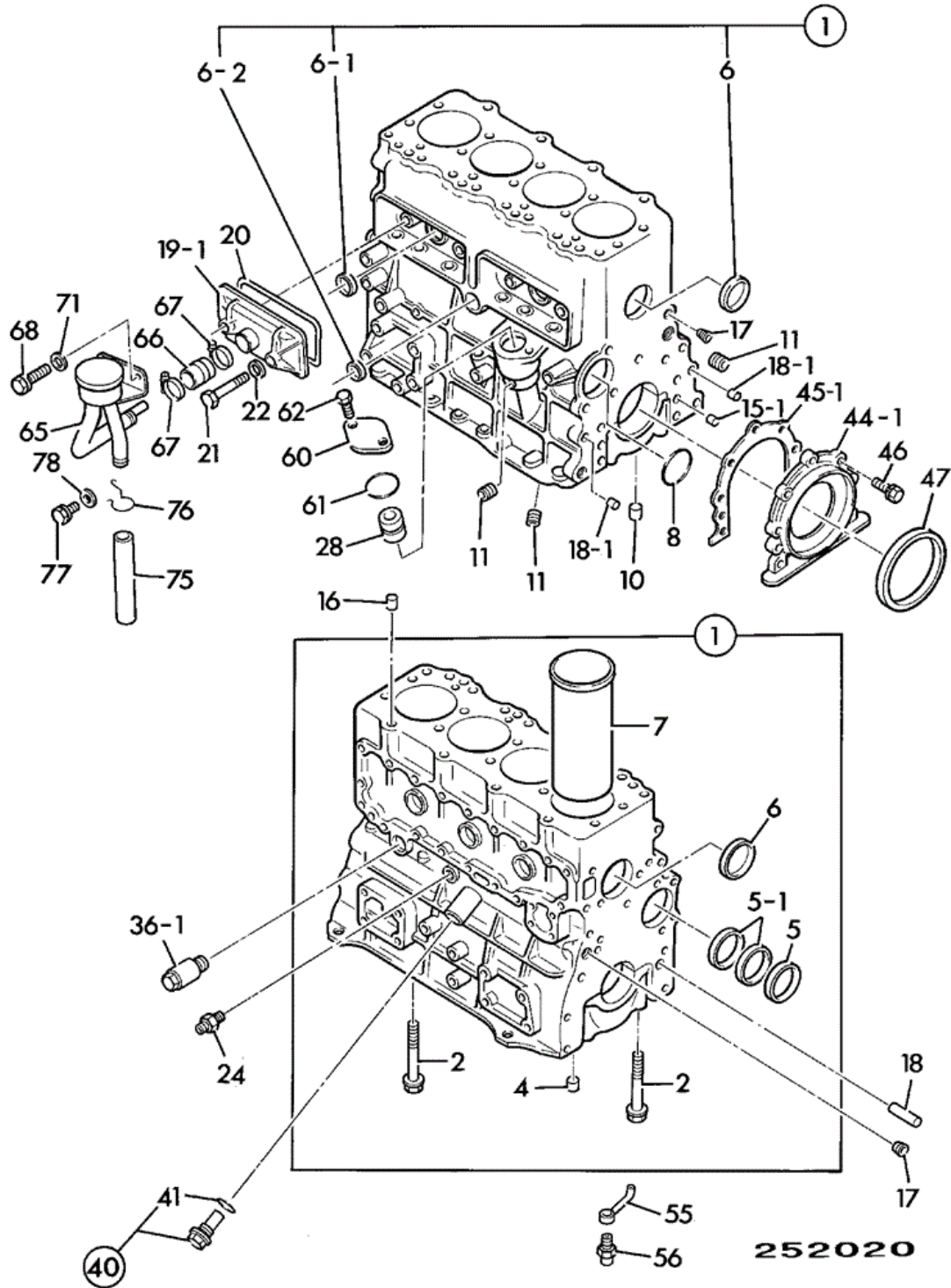


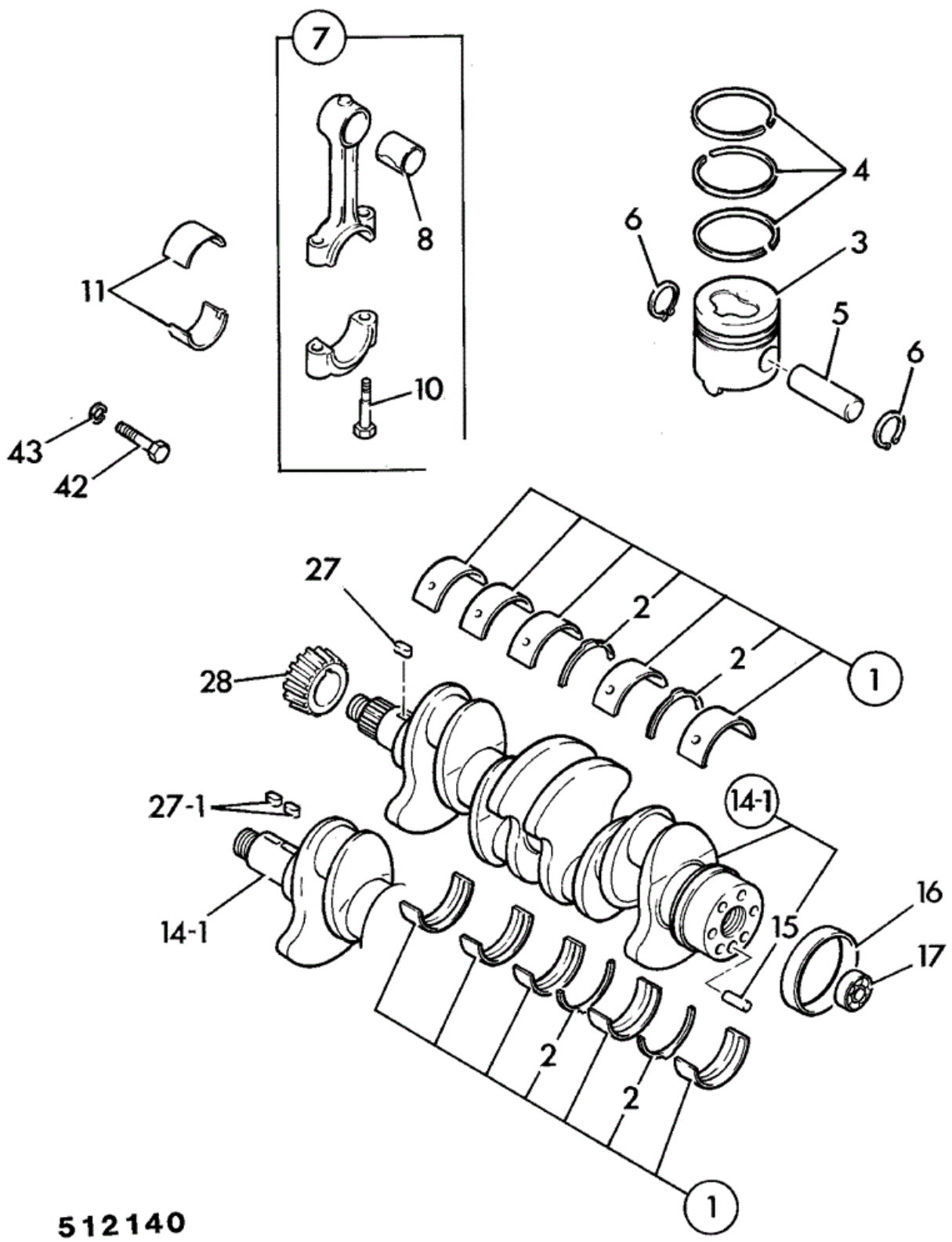


# 9802/5660 M1-3-1 BLOCK ASSEMBLY



Item	Part #	Change No	Description	Usage Code	QTY
1	02/800300		Block assembly, cylinder		1
2	:1090004691	Superseded	Bolt		10
2	:02/801541		Bolt		10

4	02/800012		Dowel		1
5	:9116110480		Bearing camshaft, front		1
5-1	9116130350	Superseded	Bearing camshaft inter & rear		2
5-1	9116930350		Bearing centre & rear		2
6	:1096000520		Plug d=60		2
6-1	:5112190140		Plug d=28		1
6-2	:1096000121		Plug tappet chamber, D=32		2
7	:1112611190	Superseded	Liner cylinder		4
7	:02/800693		Liner cylinder, grade (CX) 107.021/107.030		4
8	02/800292		Cup sealing		1
10	9992055170		Plug		1
11	5096050180		Plug D=1/8"		7
12	9992023140		Plug		1
13	9095720140		Washer seal		1
15	9081508160		Pin		2
15-1	9081510180		Pin D=10 x L=18		2
16	8941480790		Dowel D=16		2
17	1096050681		Plug		2
18	1097400780		Pin		1
19-1	02/800293		Cover tappet		1
20	02/800295		Gasket tappet cover		2
21	02/800294		Bolt		2
21	02/800007		Bolt L=56		2
22	9095720080		Washer seal		4
24	5096600330		Adapter		1
28	5112240040		Bush		1
40	8970233390		Valve oil relief, assembly		1
41	:5096230350		O Ring		1
44-1	8941145611		Retainer seal		1
45-1	02/800296		Gasket rear seal housing		1
46	0500408220		Bolt L=22		7
47	02/800297		Seal oil		1
60	1112191291		Cover oil pump		1
61	1096234650		O Ring		1
62	0500408200		Bolt		2
65	02/800298		Breather oil		1
66	02/800299		Hose		1
67	02/800301		Clip		2
68	0500408160		Bolt		2
71	9091645080		Washer		2
75	02/800302	Superseded	Tube 34.5 x 28.5 x 740		0
75	02/800061		Tube		0
76	5097040331		Clip pipe		1
77	0500408250		Bolt		1
78	9091606080		Washer		1



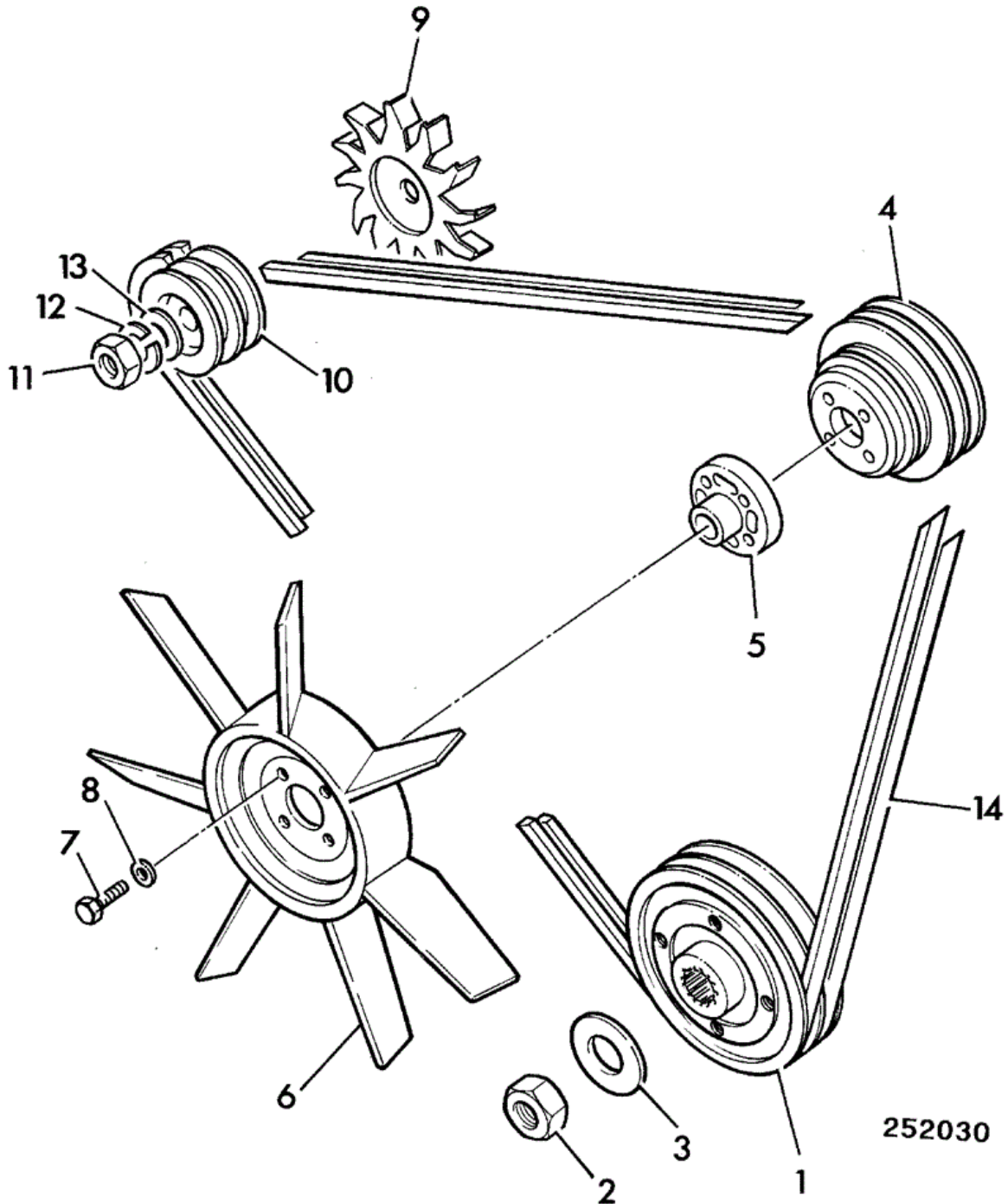
**512140**

Item	Part #	Change No	Description	Usage Code	QTY
1	02/800792		Kit-main bearing Standard		1
2	:8941145651	<MAY.92	Kit-thrust washer standard		2
2	02/801638	>JUNE.92	Washer thrust		2
3	02/800303	Superseded	Piston standard		4
3	02/800698		Piston grade (AX)		4

4	02/800304		Kit-piston ring standard	4
5	02/800305		Pin gudgeon	4
6	8941075750	Superseded	Ring snap	8
6	02/801519		Ring snap,piston pin	8
7	02/800310		Rod connecting, assembly	4
8	:02/800306		Bush small end	1
10	:1122350271		Bolt	2
11	9122716080		Kit-big end Standard	4
14-1	02/800320	<OCT.2003	Crankshaft assembly	1
14-1	02/801744	>NOV.2003	Crankshaft Crankshaft assembly	1
15	:9081612200		Pin	1
16	5123190032		Ring wear	1
17	9000906790		Bearing radial ball	1
27-1	02/800008		Key	2
28	02/800318		Gear crankshaft	1
42	****		'See Remark' <i>Not required</i>	1
43	****		'See Remark' <i>Not required</i>	1



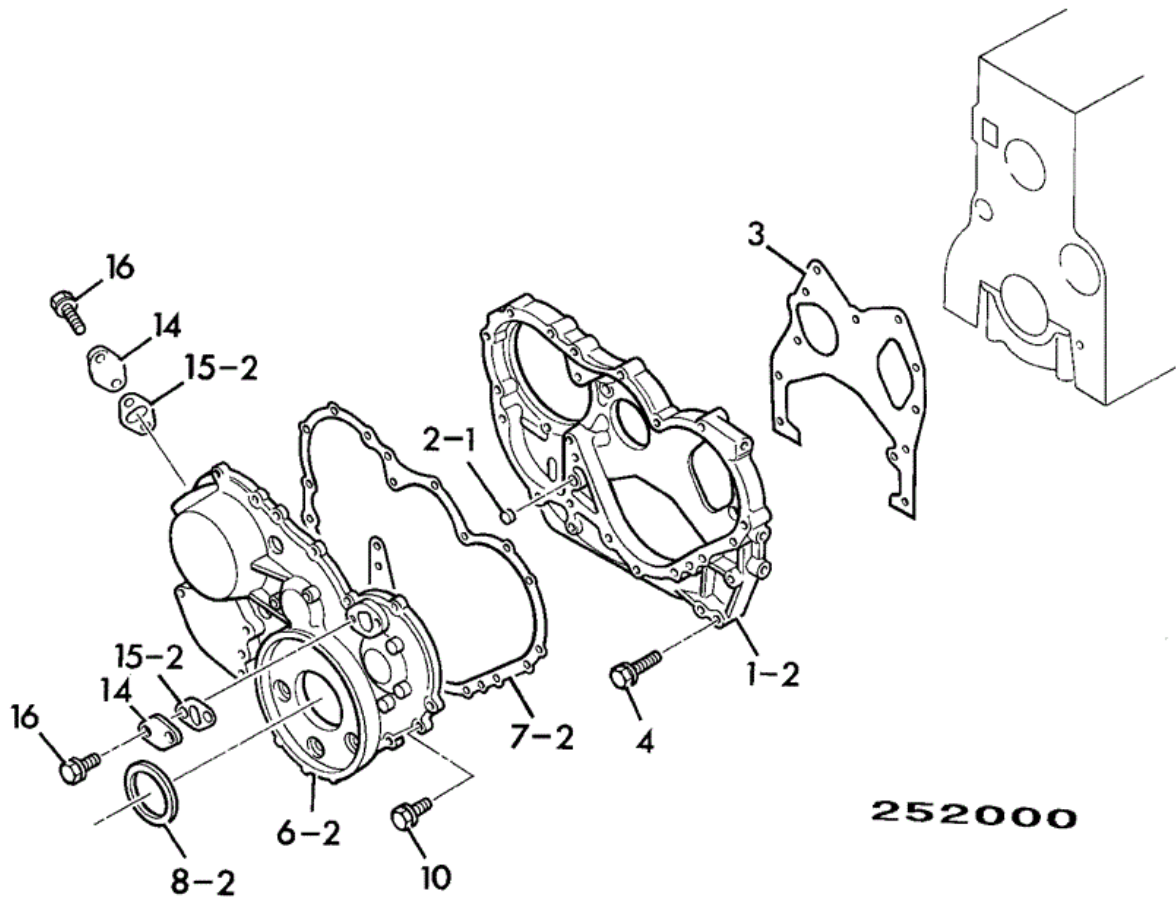
## 9802/5660 M1-5-1 FANS, PULLEYS & FAN BELT



Item	Part #	Change No	Description	Usage Code	QTY
1	02/800313	<JULY.97	Pulley crankshaft triple groove		1
1	02/801639	>AUG.97	Pulley crankshaft triple groove		1
2	5123780020		Nut		1

3	5095030240		Washer	1
4	02/800314		Pulley waterpump	1
5	02/800317		Spacer fan, T=35.5	1
5	02/800309		Spacer fan, T=51.7	1
6	02/800315		Fan cooling	1
7	02/800312		Bolt flange head M8 x 70	4
8	9098516490		Washer plain	4
9	02/800307		Fan alternator	1
10	714/25101		Pulley alternator twin groove	1
11	1812294740		Nut	1
12	1812294790		Washer spring	1
13	1812294780		Washer plain	1
14	02/800316		Belt fan (pair) L=1236mm	1

**JCB** 9802/5660 M1-6-1 TIMING CASE



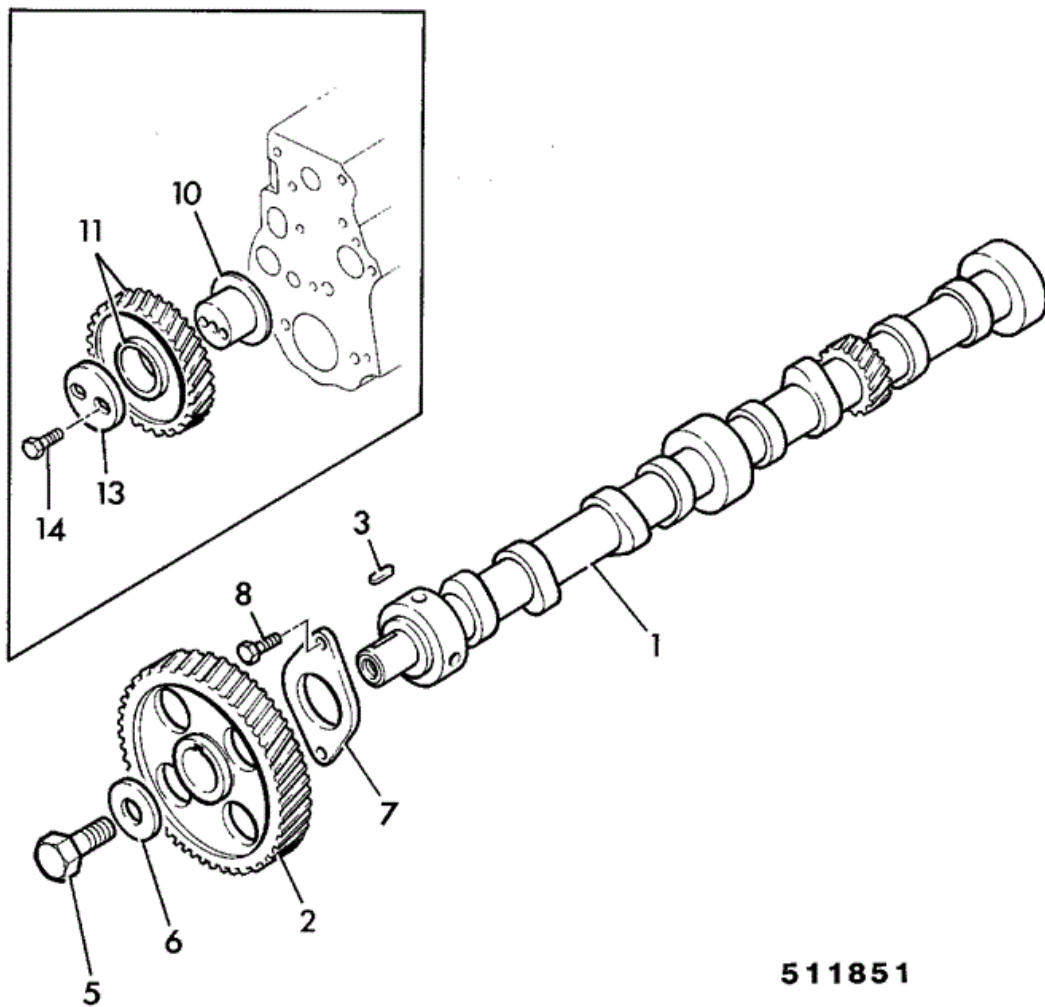
Item	Part #	Change No	Description	Usage Code	QTY
1-2	02/800319		Casing timing		1
2-1	02/800321		Pin 11ODx8		1
3	02/800322		Gasket timing case		1

4	0500408450		Bolt		2
4	0500408200		Bolt		4
6-2	02/800323		Cover timing		1
7-2	02/800922		Gasket timing cover		1
8-2	1096254380		Seal oil, front		1
10	0500408250		Bolt		8
10	02/800325		Bolt		1
10	5090000841		Bolt L=55		4
10	5090300381		Bolt L=55		3
14	5113210090	Superseded	Cover inspection		2
14	02/800254		Cover inspection		2
15-2	02/800326		Gasket inspection cover		2
16	0500406140		Bolt		4

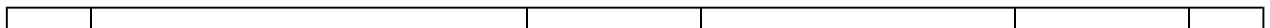




## 9802/5660 M1-6-2 CAMSHAFT & GEARS



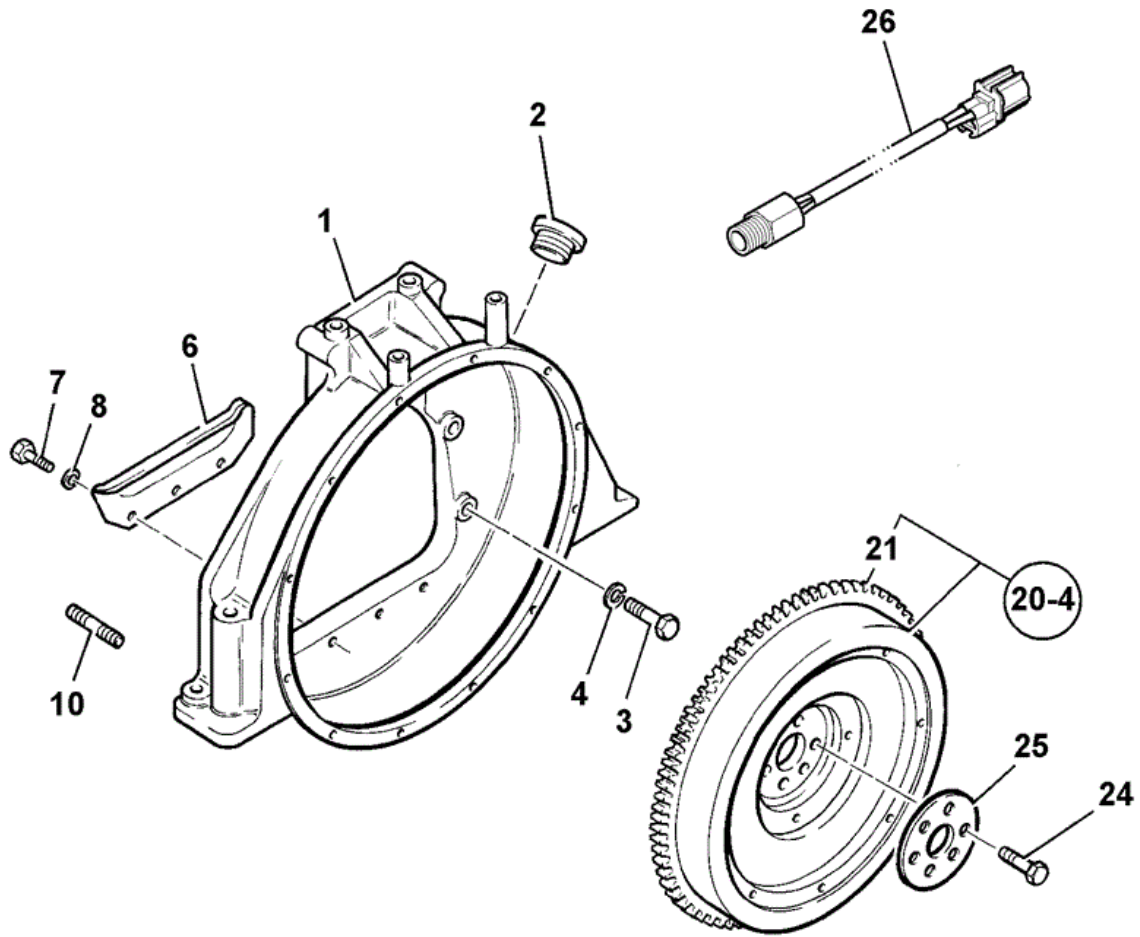
511851



Item	Part #	Change No	Description	Usage Code	QTY
1	8944094120	Superseded	Camshaft		1
1	02/800037		Camshaft		1
2	1125220161	Superseded	Gear camshaft		1
2	02/801528		Gear camshaft		1
3	9080107200		Key		1
5	5090002360		Bolt		1
6	02/800009		Washer cam		1
7	9116810150		Plate thrust		1
8	0500408250		Bolt		2
10	9125310300		Hub idler gear		1
11	02/800327		Gear idler		1
13	5125350011		Collar thrust		1
14	5090300381		Bolt L=55		2



## 9802/5660 M1-7-1 FLYWHEEL & HOUSING



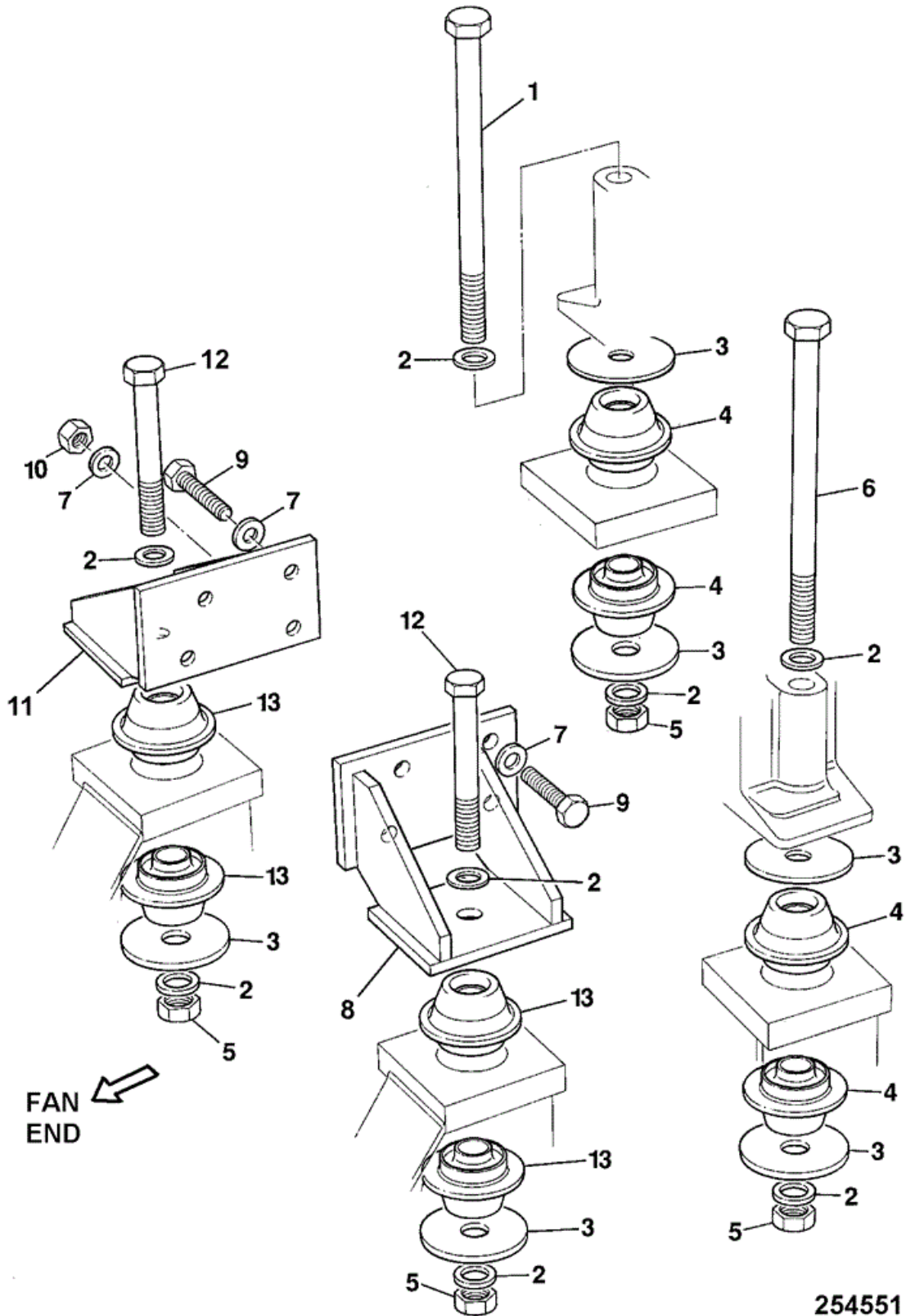
251991

Item	Part #	Change No	Description	Usage Code	QTY
1	02/800328		Housing flywheel		1
2	9113491341		Cover timing		1
3	0108064500		Bolt		2

3	0108064650		Bolt	4
4	9091505140		Washer spring	6
6	8970428010		Cover dust	1
7	0208006120		Bolt M6x12	3
8	9091505060		Washer spring	3
10	9944112350		Stud M12 x 35 L=53	2
20-4	02/800330		Flywheel assembly	1
21	:02/800329		Gear ring	1
24	5123340030		Bolt L=36	6
25	5123360030		Plate clamping	1
26	701/57400		Sensor engine speed	1



# 9802/5660 M1-8-1 ENGINE MOUNTINGS



254551

Item	Part #	Change No	Description	Usage Code	QTY
1	1316/3726Z		Bolt hex. head		1
2	JHP0043		Washer M16		8
3	KNH0589		Plate		6
4	KRH0781		Mounting metalastik		4
5	1371/0603Z		Nut Lock (M16 G12).		4
6	1316/3733Z		Bolt M16 x 260		1
7	JHP0045		Washer		8
8	KNH0586		Bracket engine mounting		1
9	KEH0122		Bolt high strength		7
10	C4E7863		Nut High Strength		1
11	KNH0527		Bracket engine mounting		1
12	1316/3723Z		Bolt		2
13	KNH0528		Mounting metalastik		4

Thank you so much for reading.  
Please click the “Buy Now!”  
button below to download the  
complete manual.



After you pay.

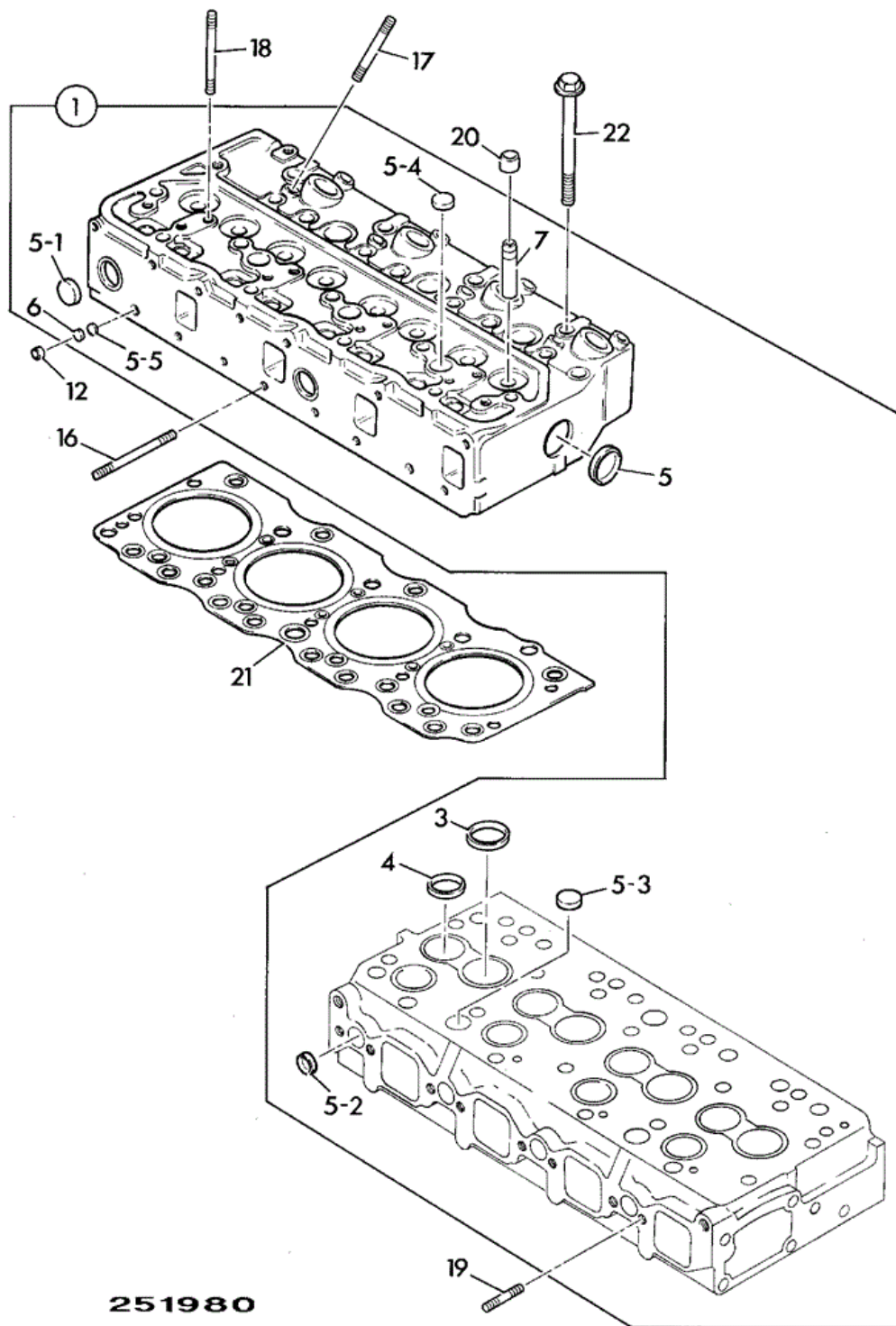
You can download the most  
perfect and complete manual in  
the world immediately.

Our support email:

[ebooklibonline@outlook.com](mailto:ebooklibonline@outlook.com)



## 9802/5660 M2-1-1 CYLINDER HEAD



Item	Part #	Change No	Description	Usage Code	QTY
1	02/800340		Head cylinder assembly		1
3	:8970376860		Seat inlet valve		4
4	:5117110280		Seat exhaust valve		4