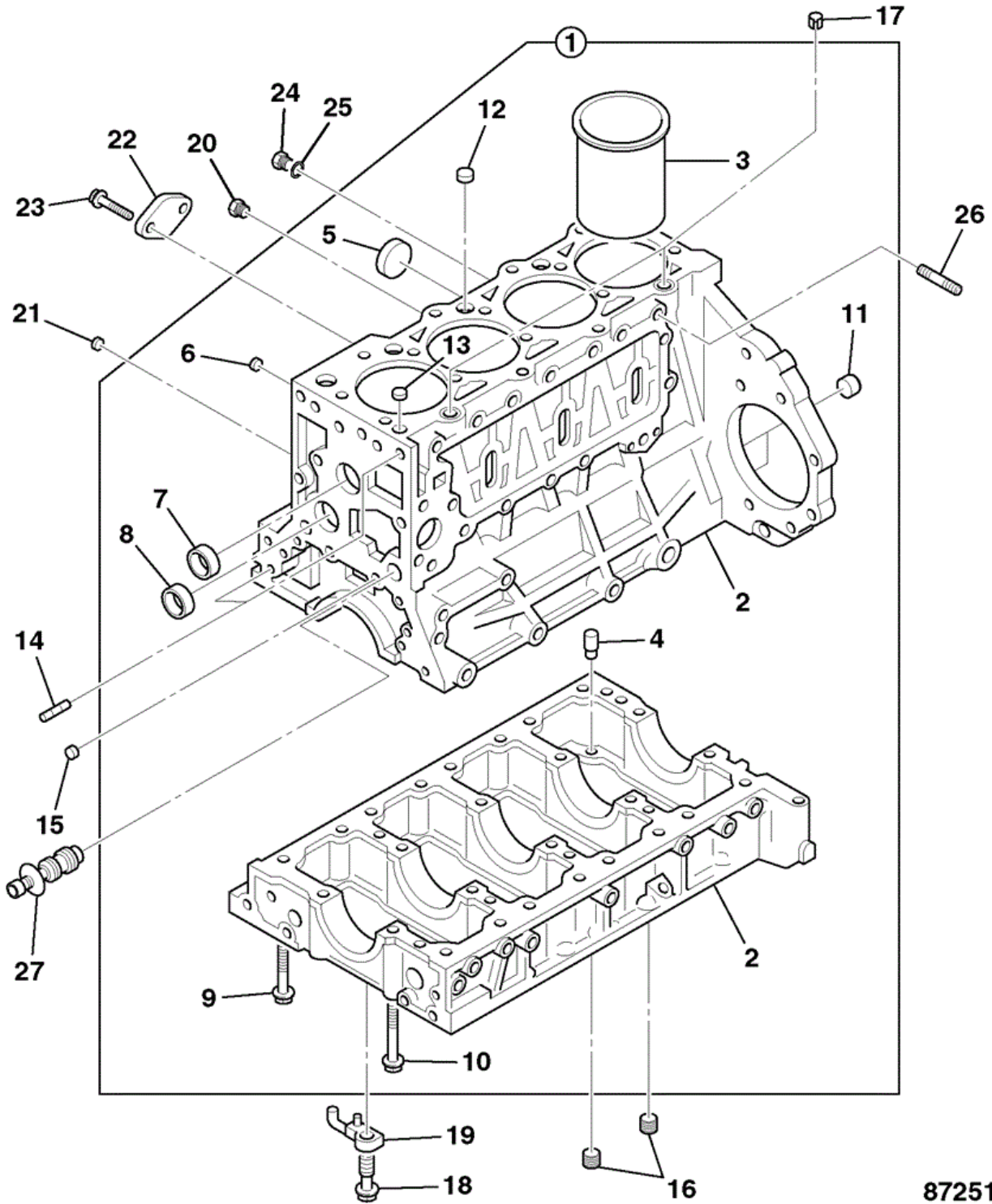




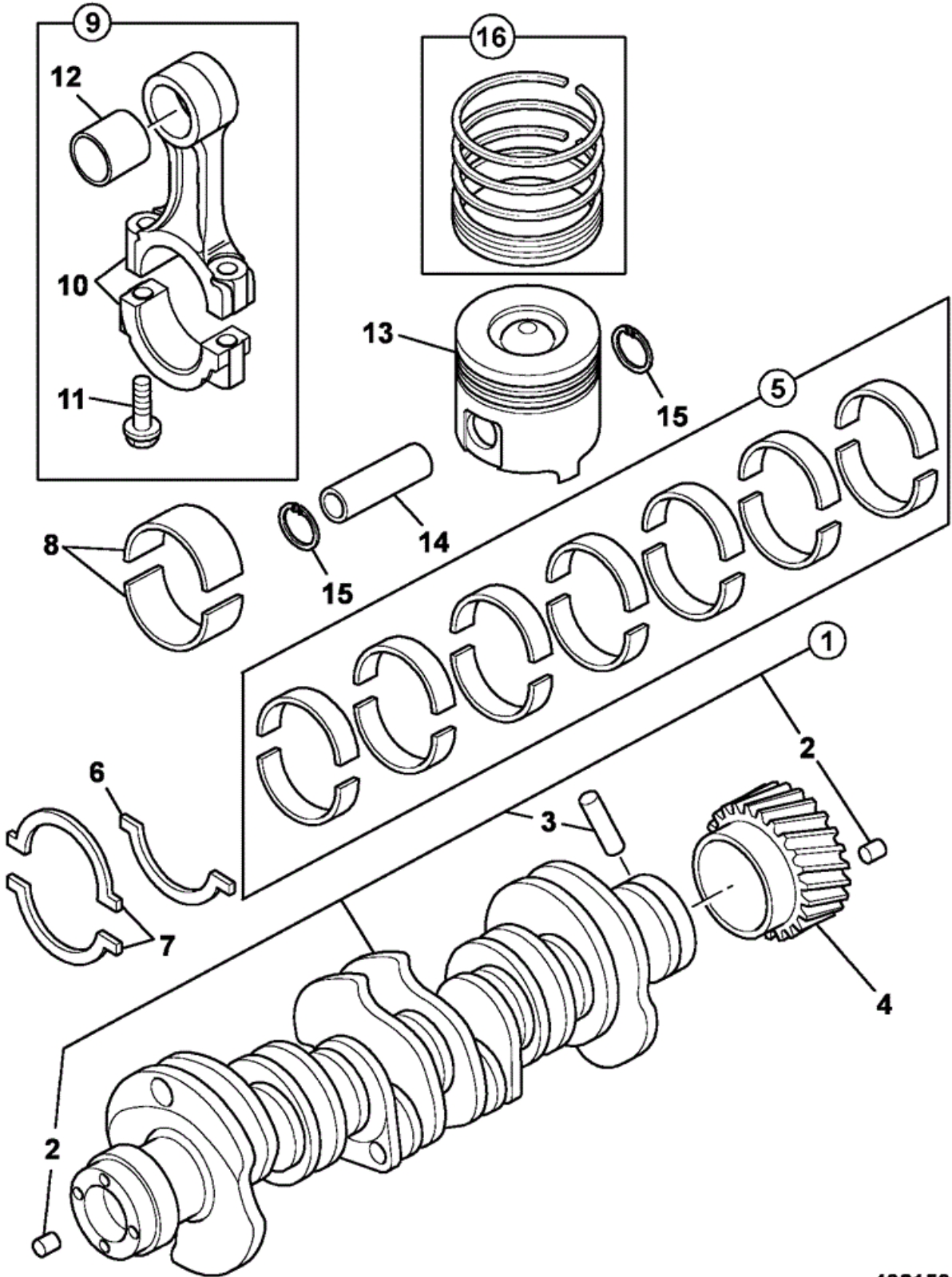
# 9812/5000 R1-3-1 BLOCK ASSEMBLY



872510

Item	Part #	Change No	Description	Usage Code	QTY
1	02/802676		Block cylinder		1
2	****		None serviced part		1
			Liner cylinder grade 1X		

3	:02/801806		<i>Existing liners grade stamped on outside of liner 1X</i>	4
3A	:02/801001		Liner cylinder grade 3X <i>Existing liners grade stamped on outside of liner 3X</i>	4
4	:02/801812		Pin	2
5	:02/801711		Plug D=45	3
6	:1096000160		Plug D=25	1
7	:1096000160		Plug D=25	1
8	:02/801808		Plug	4
9	:02/801811		Bolt M10x82	11
10	:02/802069		Bolt	17
11	:02/801809		Bush oil,drive shaft	2
12	:02/800879		Plug O/D = 22mm	3
13	:5111290060		Plug sealing, D=16	1
14	02/800993		Pin	4
15	9111291280		Plug sealing, D=20	3
16	5096050050		Plug PT 3/8"	2
17	02/800997		Pin set cylinder head	2
18	1131610120		Valve check, assembly	4
19	02/801003		Jet piston cooling	4
20	02/802071		Plug	2
21	5096000130		Plug D=12	1
22	02/801849		Plate cover	1
23	0280808140		Bolt flange head M8 x 14	2
24	02/802066		Plug drain	1
25	02/802072		Gasket	1
26	02/802190		Stud	3
27	02/802189		Valve	1



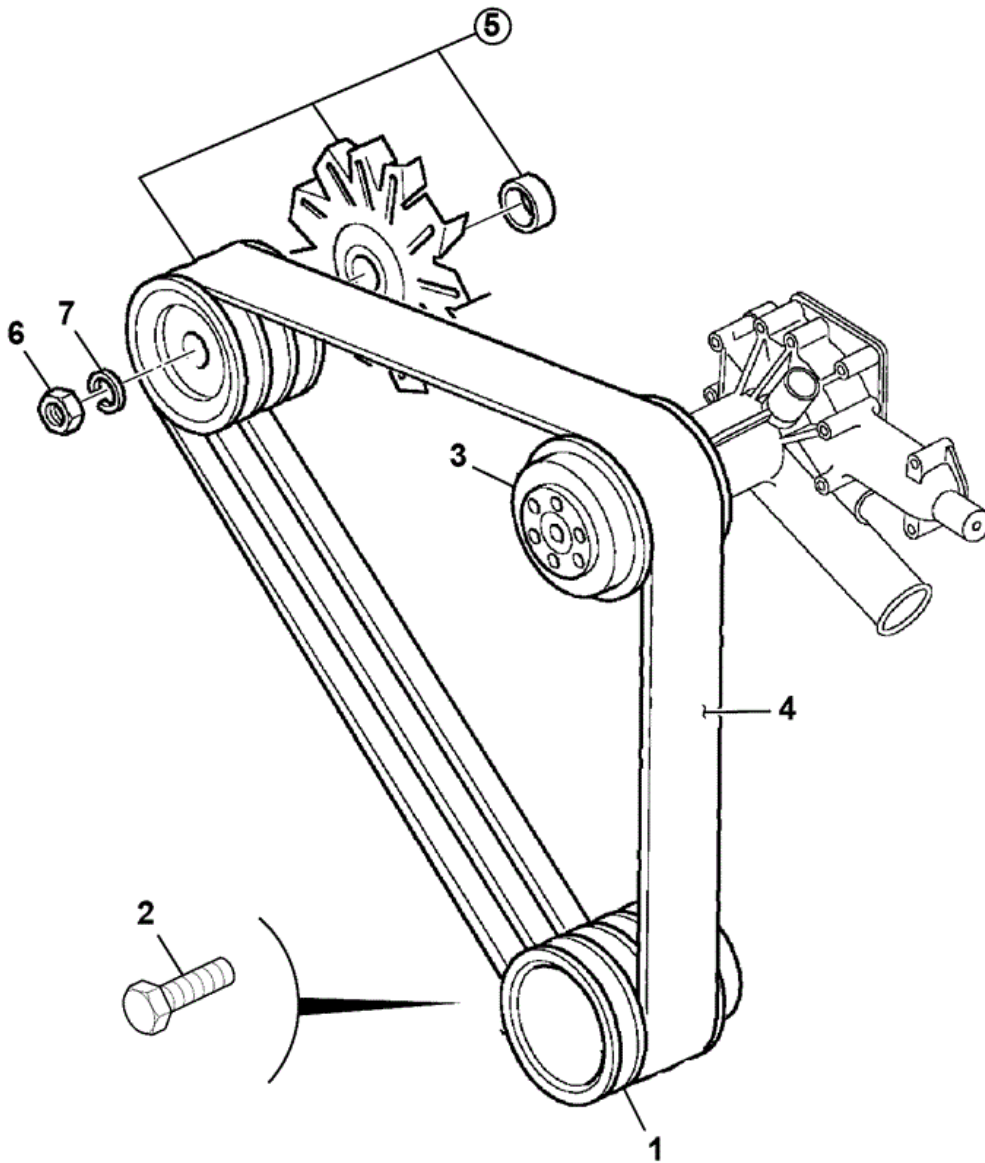
402150

Item	Part #	Change No	Description	Usage Code	QTY
1	02/802305		Crankshaft assembly		1
2	:02/802315		Pin		1
3	:9098786260		Pin 50Dx6		1
4	02/801838		Gear crankshaft		1
5	02/801732		Kit-main bearing BLUE		5

5	02/801733		Kit-main bearing BLACK	5
5	02/801734		Kit-main bearing BROWN (2 shells)	5
6	02/801154		Washer thrust	1
7	02/801155		Washer thrust	2
8	02/801842		Bearing big-end green <i>Please raise techweb call for correct replacement</i>	4
8	02/802677		Bearing big-end yellow <i>Please raise techweb call for correct replacement</i>	4
9	02/801844		Rod connecting <i>Please raise techweb call for correct replacement</i>	4
10	****		None serviced part	0
11	02/801158		Bolt con-rod	8
12	02/801845		Bush small end	4
13	02/802303		Piston	4
14	02/801164		Pin gudgeon	4
15	02/801163		Ring snap	8
16	02/801841		Kit-piston ring	4



## 9812/5000 R1-5-1 PULLEYS & FAN BELT



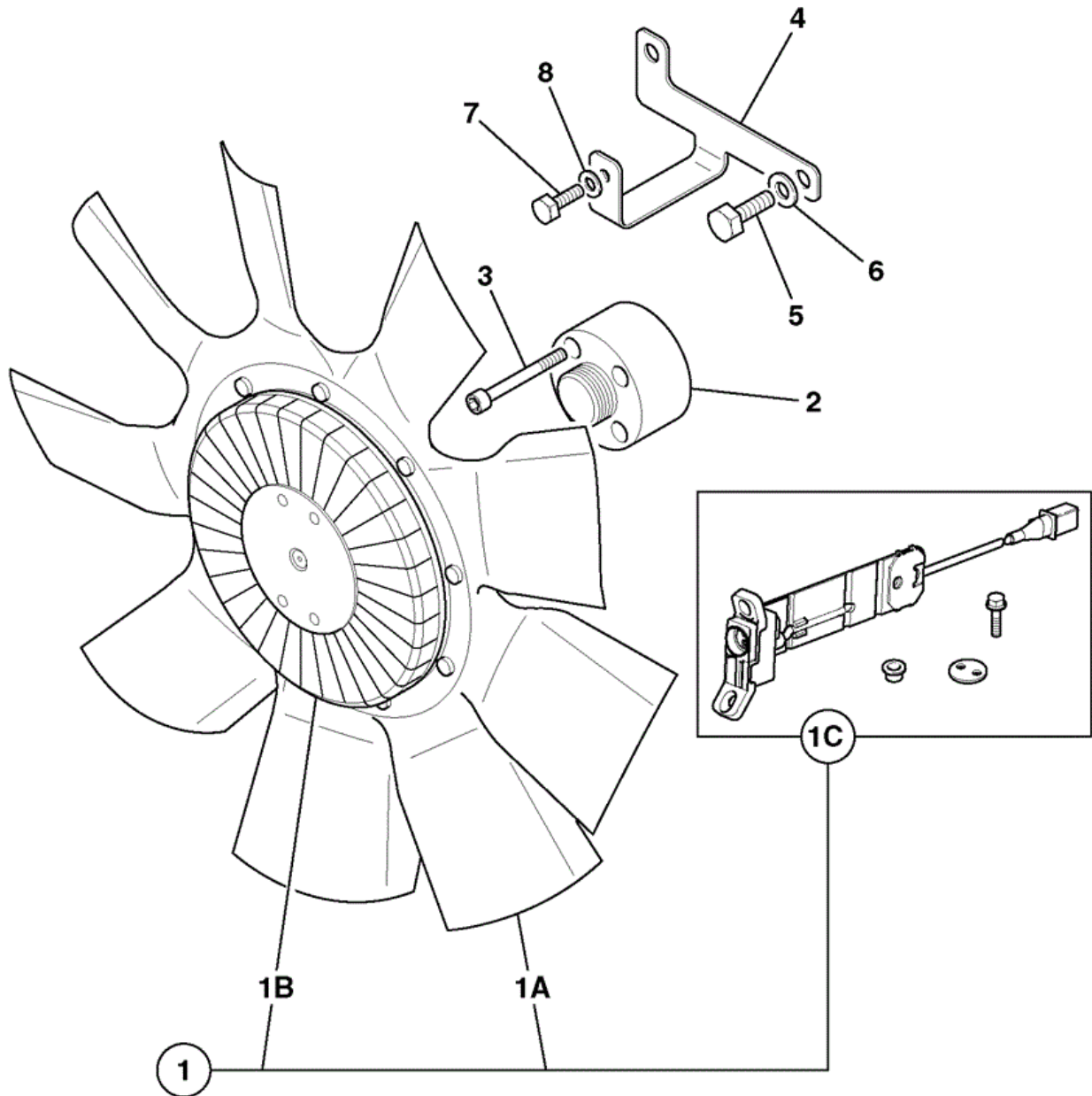
874640

Item	Part #	Change No	Description	Usage Code	QTY
1	02/802230		Pulley crankshaft		1
2	02/802192		Bolt crankshaft pulley		4
3	02/802309		Pulley water pump		1

4	02/802236		Belt fan	1
5	02/802340		Pulley alternator	1
6	1812294740		Nut	1
7	1812294790		Washer spring	1



## 9812/5000 R1-5-2 FAN,VISCOUS EU OPTION



903791

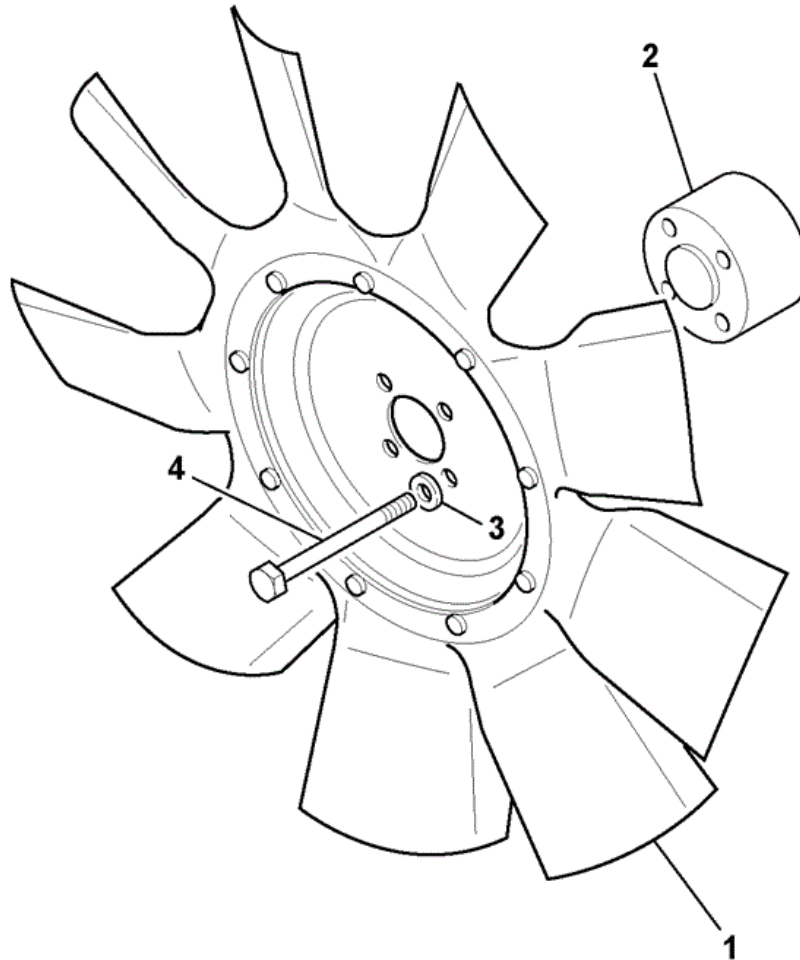
Item	Part #	Change No	Description	Usage Code	QTY
1	30/926959		Fan viscous drive 650mm		1
1A	:30/927213		Fan cooling		1
1B	:30/927214		Clutch viscous		1

1C	:30/927215		Kit-sensor and bracket		1
2	829/31407		Spacer fan viscous drive		1
3	1391/3313D		Capscrew		4
4	335/14144		Bracket cable retention		1
5	1316/0405D		Screw M10 x 20		2
6	1420/0008D		Washer (M10)		2
7	1316/0203D		Screw		1
8	1420/0006D		Washer (M6)		1





## 9812/5000 R1-5-3 FAN NON EU OPTION



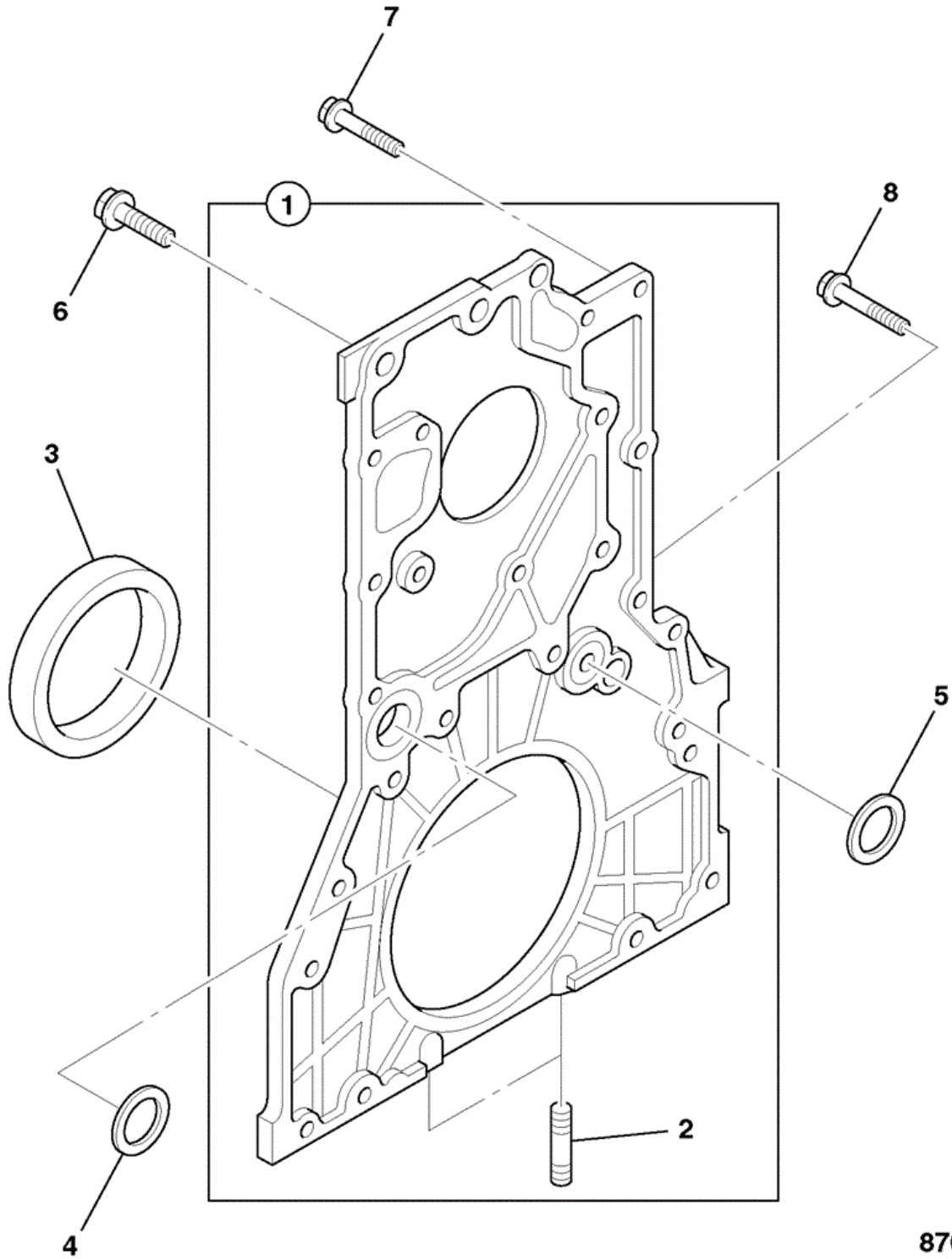
903780

Item	Part #	Change No	Description	Usage Code	QTY
1	30/926965		Fan puller 650mm		1
2	829/31594		Spacer fan		1
3	331/35722		Collar fan mounting		1





## 9812/5000 R1-6-1 TIMING CASE & FRONT COVER



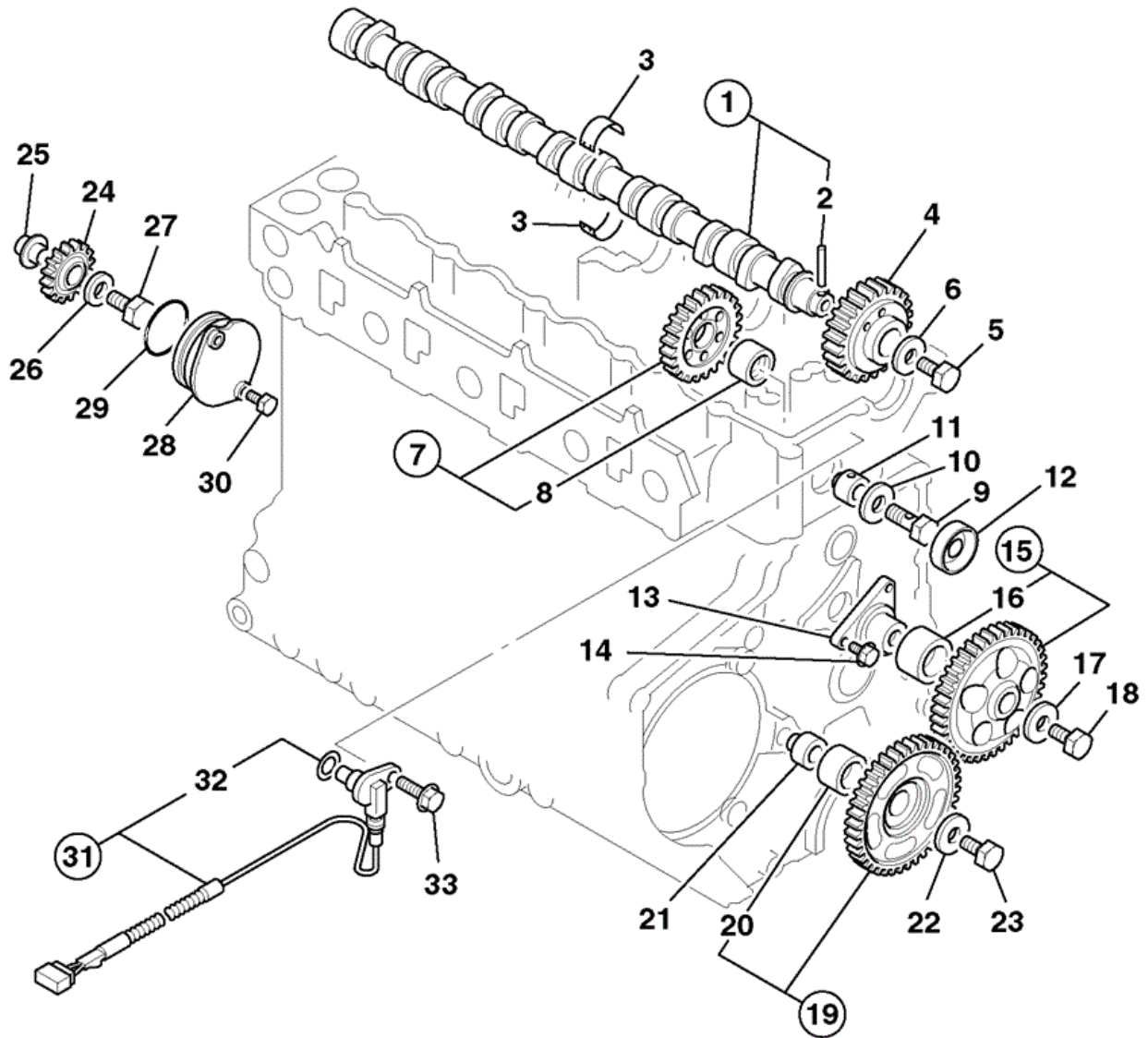
870620

Item	Part #	Change No	Description	Usage Code	QTY
1	02/802235		Cover timing case		1
2	:02/802608		Stud		2
3	02/802276		Seal oil front		1

4	02/801082		Gasket gear case to cylinder block		1
5	02/802318		Gasket		1
6	02/802127		Bolt		1
7	02/802394		Bolt cyl. head		14
8	02/801602		Bolt L=55		3
9	02/802067		Valve		1



## 9812/5000 R1-6-2 CAMSHAFT & TIMING GEARS



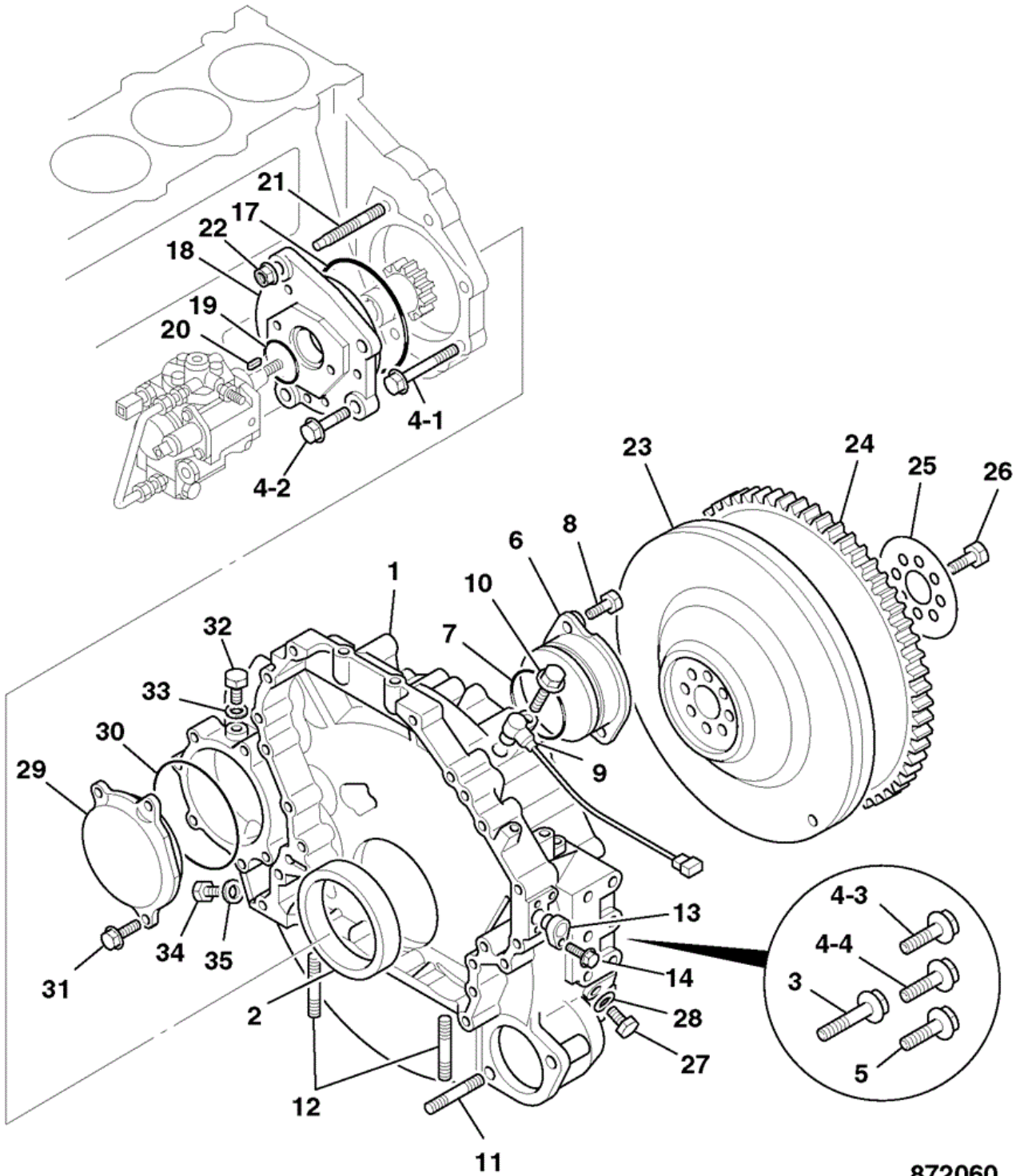
872050

Item	Part #	Change No	Description	Usage Code	QTY
1	332/F4288		Camshaft		1
2	:02/801212		Pin set		1
			Bearing B=16		

3	02/802723		<i>upper &amp; lower</i>		10
4	02/802082		Gear camshaft		1
5	02/801208		Bolt camshaft gear		1
6	02/800009		Washer cam		1
7	02/802094		Gear		1
8	:02/802099		Bush		1
9	02/802087		Bolt idler gear		1
10	02/801833		Collar thrust		1
11	02/801799		Shaft idle gear		1
12	02/802089		Cover idler gear		1
13	02/801981		Shaft idler	A	1
14	02/802088		Bolt		3
15	02/801943		Gear idler	A	1
16	:02/802098		Bush		1
17	02/801833		Collar thrust		1
18	02/801215		Bolt idler gear		1
19	02/802093		Gear idler (B)	B	1
20	:02/802097		Bush		1
21	02/802091		Shaft idler	B	1
22	02/801833		Collar thrust		1
23	02/802095		Bolt thrust collar		1
24	02/801947		Gear idler	C	1
25	02/802012		Shaft idler gear	C	1
26	02/802092		Collar thrust		1
27	02/802090		Bolt idler gear shaft		1
28	02/801790		Cover idler gear		1
29	02/801069		O Ring		1
30	02/802418		Bolt M8X16		2
31	716/30312		Sensor camshaft angle		1
32	:02/802285		Gasket		1
33	02/802536		Bolt M6x12		1



## 9812/5000 R1-7-1 FLYWHEEL & HOUSING



872060

Item	Part #	Change No	Description	Usage Code	QTY
1	02/802312		Housing flywheel		1
2	02/802207		Seal oil rear		1
3	02/802135		Bolt		2

Thank you so much for reading.  
Please click the “Buy Now!”  
button below to download the  
complete manual.



After you pay.

You can download the most  
perfect and complete manual in  
the world immediately.

Our support email:

[ebooklibonline@outlook.com](mailto:ebooklibonline@outlook.com)