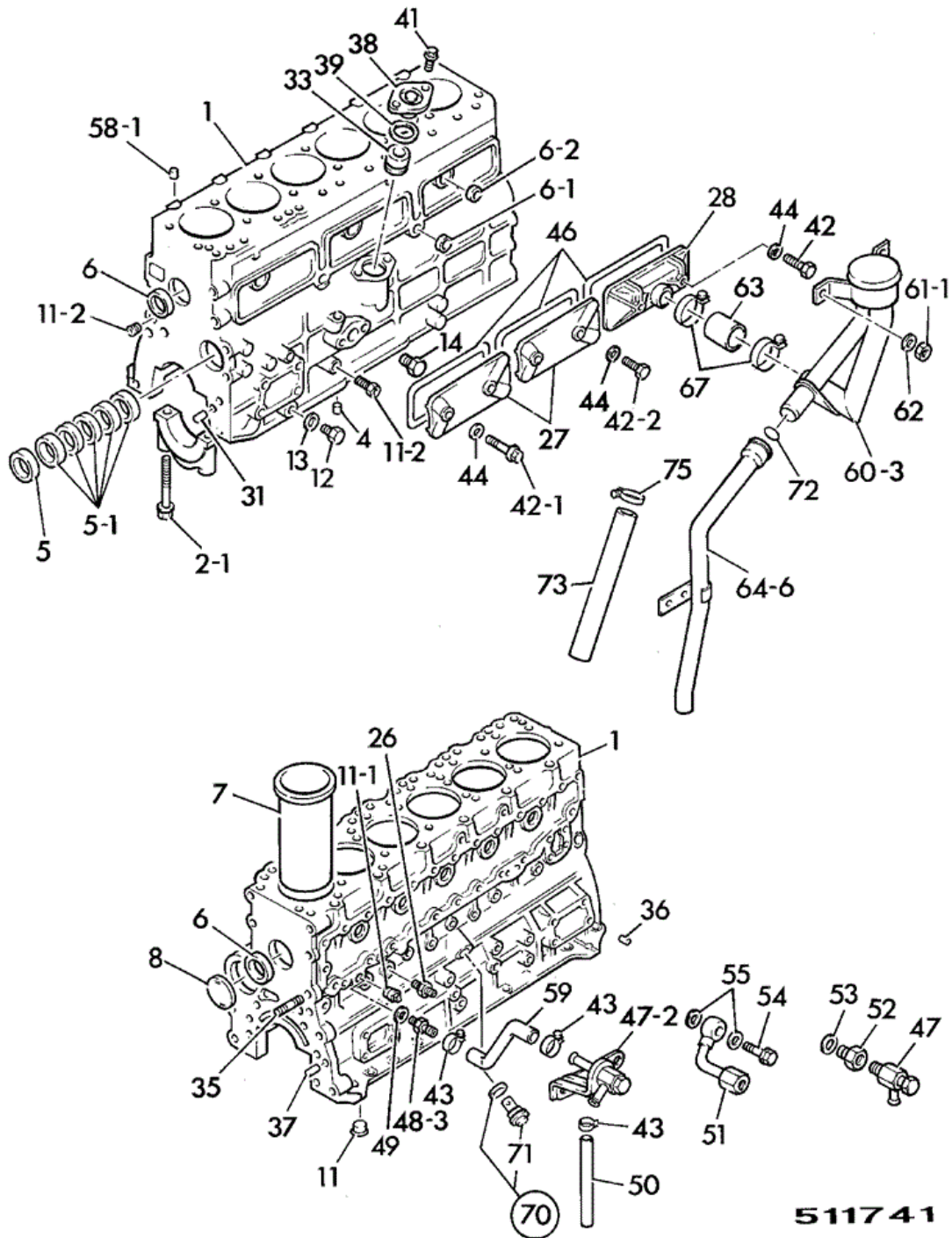




9802/5850 K1-3-1 BLOCK ASSEMBLY

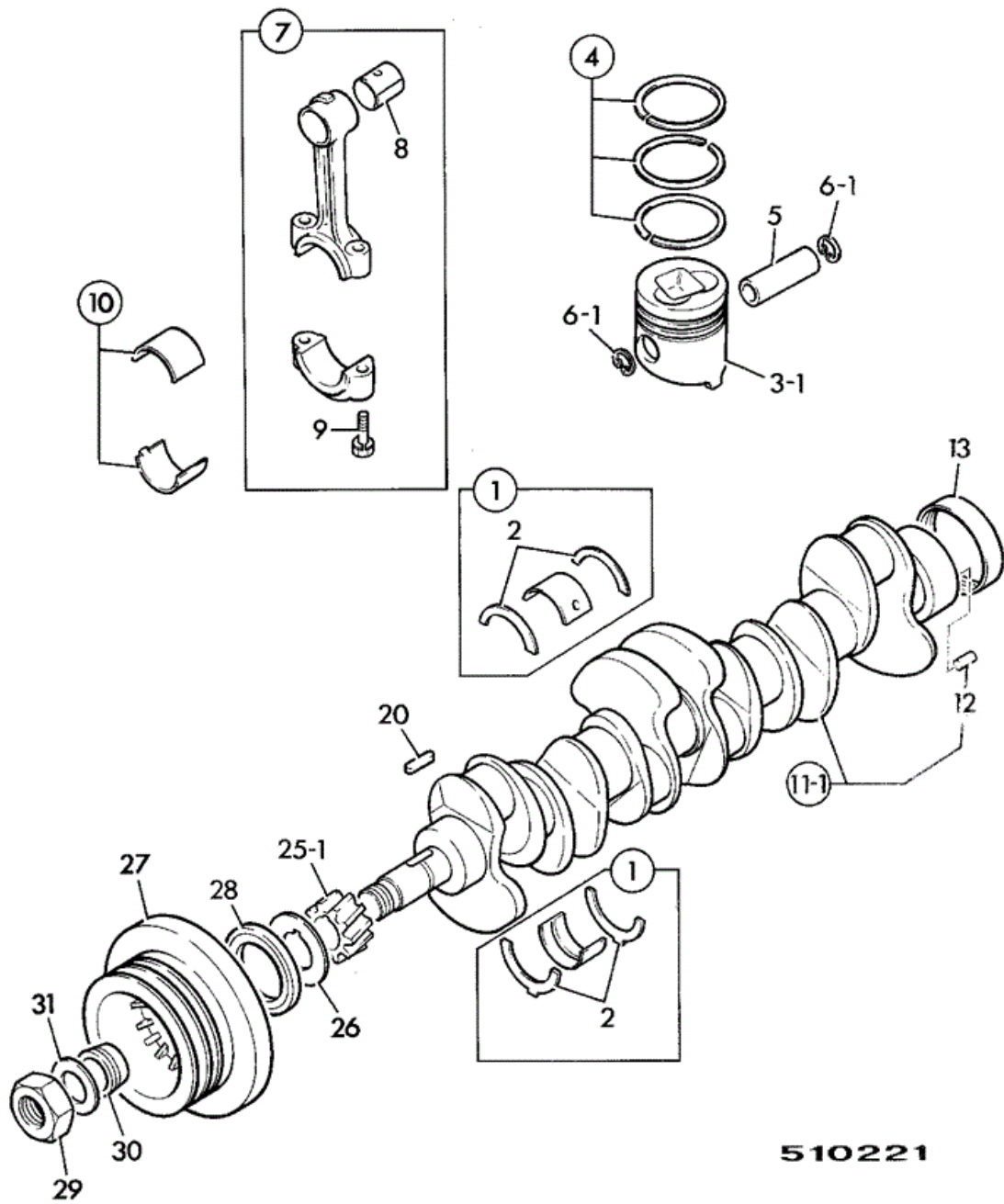


511741

Item	Part #	Change No	Description	Usage Code	QTY
1	1112104436		Block cylinder assembly		1
1	1112103761		Block cylinder assembly		1
2-1	:1090004691	Superseded	Bolt		14

2-1	:02/801541		Bolt	14
4	:5112570010		Dowel	1
5	:9116110480		Bearing camshaft, front	1
5-1	:9116130350	Superseded	Bearing camshaft inter & rear	5
5-1	:9116930350		Bearing centre & rear	5
6	:1096000520		Plug d=60	2
6-1	:5112190140		Plug d=28	2
6-2	:1096000121		Plug tappet chamber, D=32	3
7	:1112611190	Superseded	Liner cylinder	6
7	:02/800693		Liner cylinder, grade (CX) 107.021/107.030	6
8	9098600190		Plug	1
11	1096050660		Plug D=3/8"	1
11-1	5096050180		Plug D=1/8"	11
11-2	1096050681		Plug	1
11-2	1096050681		Plug	1
12	9992023140		Plug	1
13	9095714140		Washer seal	1
14	1096601010		Connector	1
27	1112910441		Cover tappet	2
28	5112901450		Cover tappet	1
31	9081510500		Pin	1
33	9112246021		Bush oil pump drive shaft	1
35	5093000231		Stud	1
36	9081508160		Pin	2
37	9081510180		Pin D=10 x L=18	2
38	1112191291		Cover oil pump	1
39	1096234650		O Ring	1
41	0501408220		Bolt	2
42	1090520220		Bolt	2
42-1	1090520210		Bolt	4
42-2	1090520180		Bolt	1
43	1097041000		Clip hose	2
44	9095720080		Washer seal	6
46	1112920200		Gasket	3
47	1096800240		Tap water drain	1
48-3	1096602072		Connector	1
49	1096301150		Washer seal	1
50	9099148600	Superseded	Pipe l=510	1
50	02/800619		Pipe oil drain	1
51	1137213342		Pipe water drain	1
51-2	1096800531		Tap water drain	1
52	5096660021		Nipple grease	1
53	1096301150		Washer seal	1
54	1096750860		Bolt banjo M14 x 27	1
55	1096300850		Washer seal	2
58-1	8941480790		Dowel D=16	2
59	1093606681		Hose drain	1
60-3	1117401392		Breather engine oil	1
61-1	9091105080		Nut	2
62	9091505080		Washer spring	2
63	1093604390		Hose breather-cover	1

64-2	1117420320		Pipe drain		1
64-6	1117420360		Pipe drain		1
67	1097040570		Clip jubilee		2
70	9131606062		Valve oil relief, assembly		1
71	:5096230350		O Ring		1
72	9095613280		O Ring		1
73	5093609110		Hose 1=500		1
75	9099156661		Clip hose		1



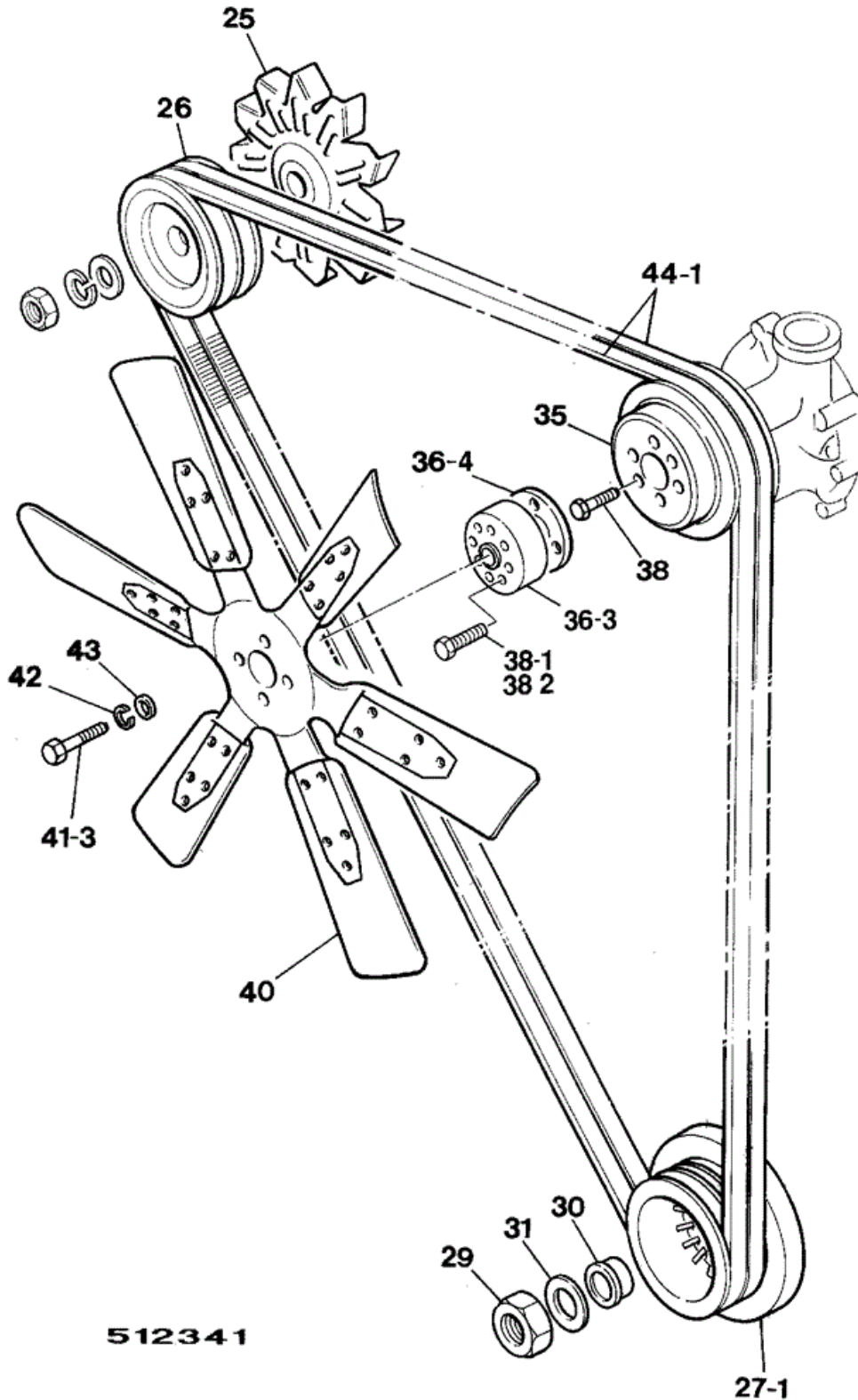
510221

Item	Part #	Change No	Description	Usage Code	QTY
1	1115100742	Superseded	Kit-bearing Main Standard		1
1	1115100741	Superseded	Kit-main bearing standard		1
1	02/801514		Kit-main bearing standard		1
2	:1116800012	Superseded	Kit-thrust washer standard		2
2	:02/801515		Kit-thrust washer standard		2

3-1	1121113660	Superseded	Piston std.	6
3-1	02/800702		Piston assembly, grade (AX)	6
4	1121210651	Superseded	Kit-piston ring standard	6
4	1121211011		Kit-piston ring standard	6
5	9122116040		Pin gudgeon	6
6-1	8941075750	Superseded	Ring snap	12
6-1	02/801519		Ring snap,piston pin	12
7	1122301041		Rod connecting, assembly	6
8	:1122510270		Bush small end	6
9	:1122350270		Bolt	12
10	9122716080		Kit-big end Standard	6
10-1	9122736080		Kit-big end undersize - 0.25	6
10-2	9122746080		Kit-big end undersize - 0.50	6
11-1	1123104700		Crankshaft assembly	1
12	:9081512200		Pin	1
13	5123190032		Ring wear	1
20	5097380010		Key	1
25-1	1125210080		Gear crankshaft	1
26	1123620031		Flinger oil	1
27	1123712480		Pulley crankshaft	1
28	:5123620031		Seal dust, thrower	1
29	9098401071		Nut	1
30	9123790450	Superseded	Bush	1
30	02/801586		Bush	1
31	9098514310		Washer	1



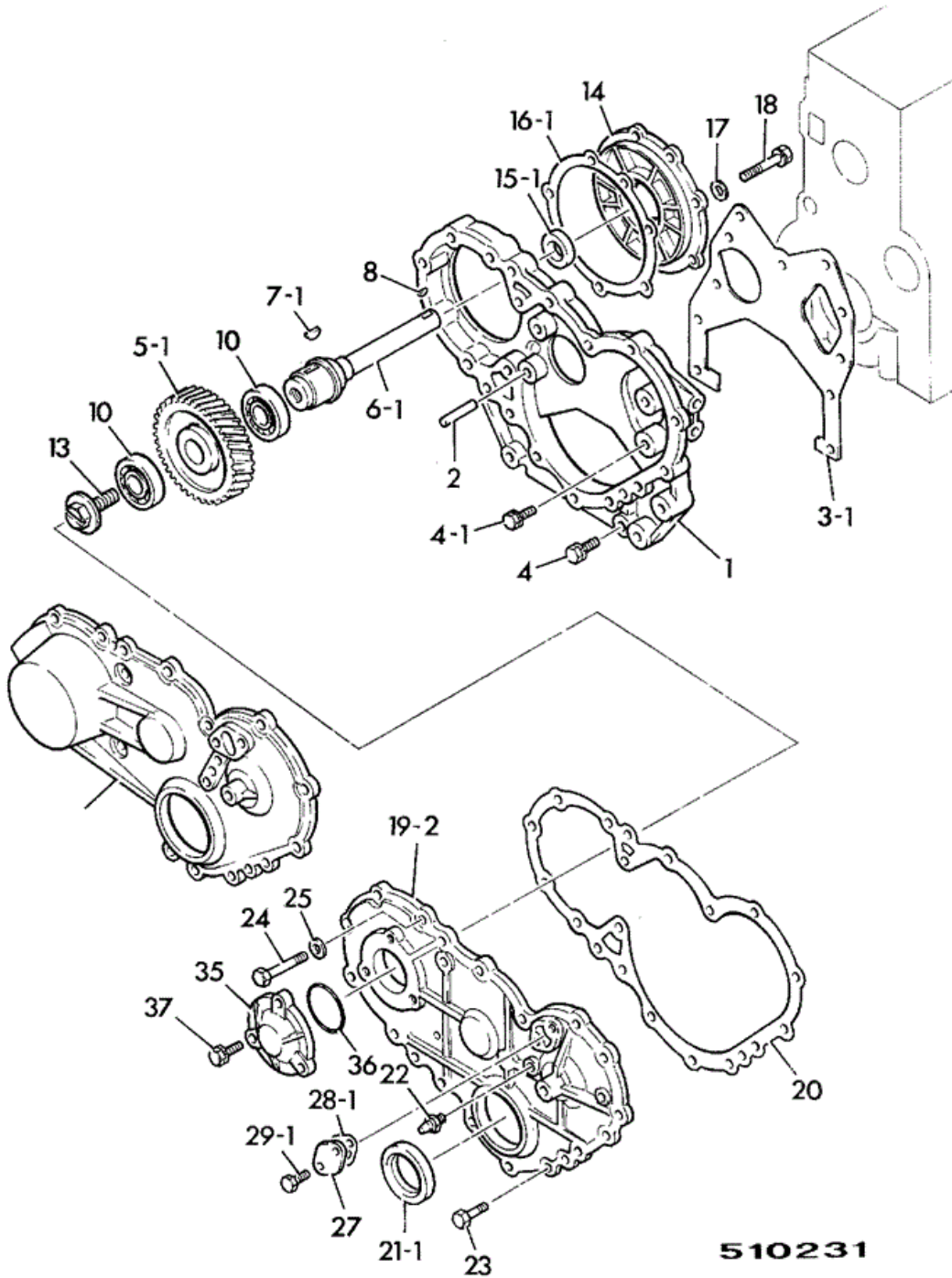
9802/5850 K1-5-2 FANS, PULLEYS & FAN BELT



512341

Item	Part #	Change No	Description	Usage Code	QTY
24	1812230050		Fan alternator		1
25	1812220550	Superseded	Pulley alternator		1
25	714/25101		Pulley alternator twin groove		1
27	1123712480		Pulley crankshaft		1
29	9098401071		Nut		1
30	9123790450	Superseded	Bush		1
30	02/801586		Bush		1
31	9098514310		Washer		1
35	5136410171	Superseded	Pulley water pump		1
35	1136411650		Pulley water pump		1
36-3	9136426051		Spacer fan, T=61.5		1
36-4	9136690801		Spacer fan-pulley, L=8		1
38	9034906100		Screw		2
40	9136600670		Fan cooling, D=600		1
41-3	9029558900		Bolt		4
42	9091505080		Washer spring		4
43	9091647080		Washer plain		4
44-1	1136711420		Belt fan, pair <i>Build TPC</i>		1
44-1	1136712260	Superseded	Belt fan, pair <i>Build TPC01</i>		1
44-1	02/800774		Belt fan, pair L=1246mm		1

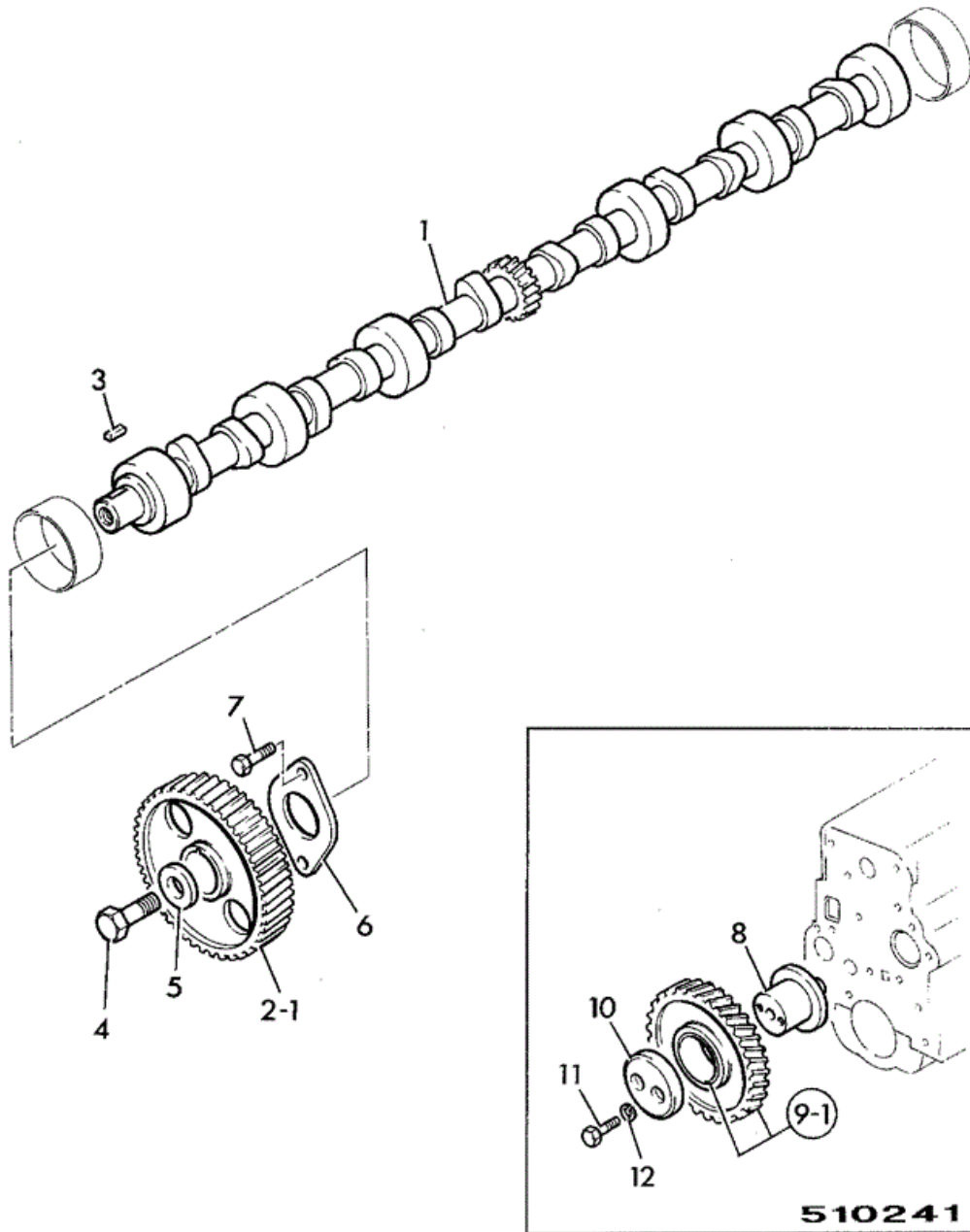
JCB 9802/5850 K1-6-1 TIMING CASE



Item	Part #	Change No	Description	Usage Code	QTY
1	5113110113		Casing timing		1
2	9081510180		Pin D=10 x L=18		1
3-1	1113120140	Superseded	Gasket timing case		1
3-1	02/800322		Gasket timing case		1
4	0500408450		Bolt		2
4-1	0500408200		Bolt		4
5-1	1125240121		Gear injection pump drive		1
6-1	5125320061		Shaft drive		1
7-1	9080507250		Key		1
8	9080554160		Key		1
10	9000060070		Bearing ball drive shaft		2
13	1090090941		Bolt		1
14	1113250080		Cover bearing		1
15-1	1096254400		Seal oil, front		1
16-1	1113190090	Superseded	Gasket		1
16-1	02/800015		Gasket inj/pump to t/case		1
17	9091605080		Washer plain		7
18	8942059861		Bolt L=65		7
19-2	5113210252		Cover timing		1
20	1113220360		Gasket timing cover		1
21-1	1096254380		Seal oil, front		1
22	5113270090		Pointer timing		1
23	0501408250		Bolt		7
24	5090000841		Bolt L=55		5
25	9091605080		Washer plain		5
27	5113210090	Superseded	Cover inspection		1
27	02/800254		Cover inspection		1
28-1	1112820130		Gasket inspection cover		1
29-1	9019006140		Bolt		2
35	5113250011		Cover bearing		1
36	1096232150		O Ring		1
37	0500408200		Bolt		3



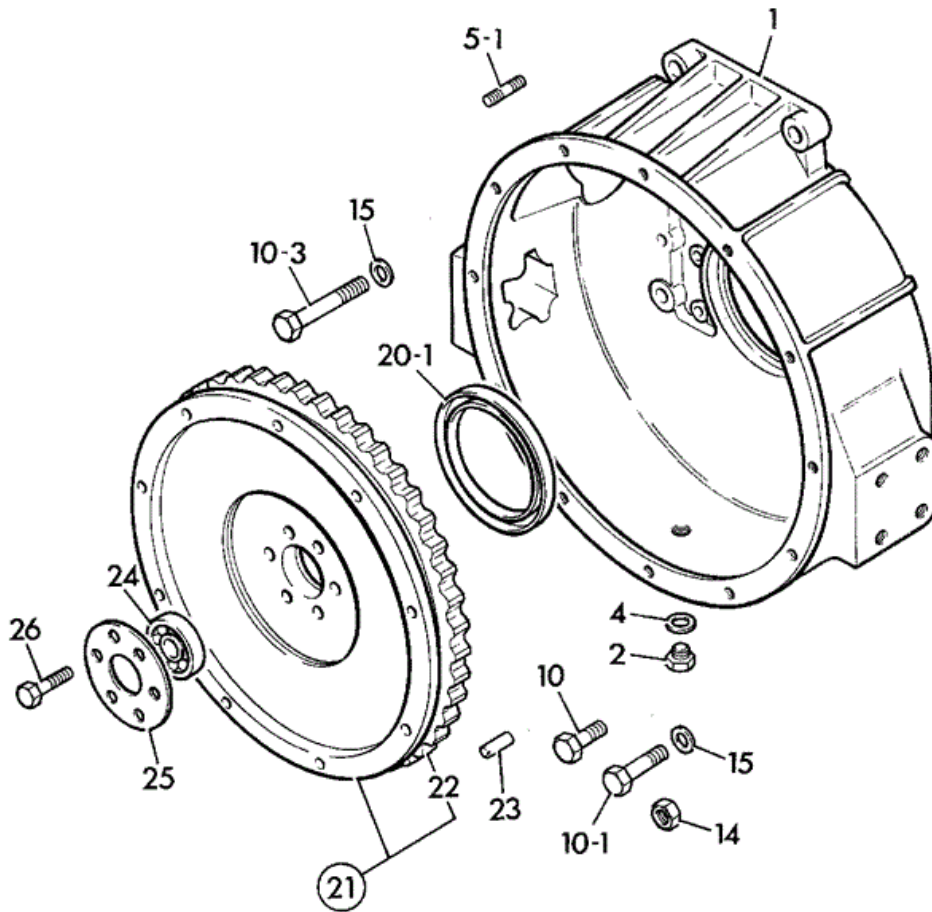
9802/5850 K1-6-2 CAMSHAFT & GEARS



Item	Part #	Change No	Description	Usage Code	QTY
1	9125148030	Superseded	Camshaft		1
1	02/800782		Camshaft Camshaft		1
2-1	1125220161	Superseded	Gear camshaft		1
2-1	02/801528		Gear camshaft		1
3	9080307130		Key		1
4	9920614280		Bolt		1
5	9098518502		Washer cam		1
6	9116810150		Plate thrust		1
7	0500408250		Bolt		2
8	9125310300		Hub idler gear		1
9-1	1125230573		Gear idler		1
10	5125350011		Collar thrust		1
11	0108110550		Bolt		2
12	9091505100		Washer spring		2



9802/5850 K1-7-1 FLYWHEEL & HOUSING

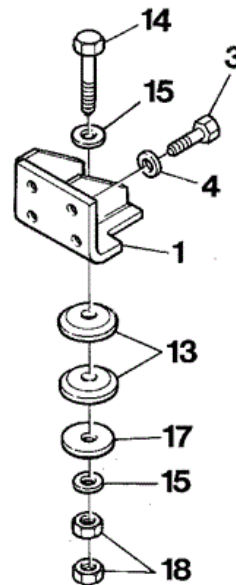
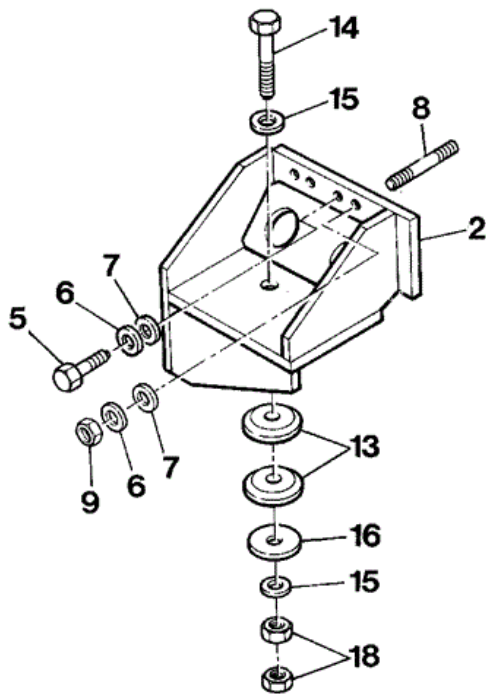
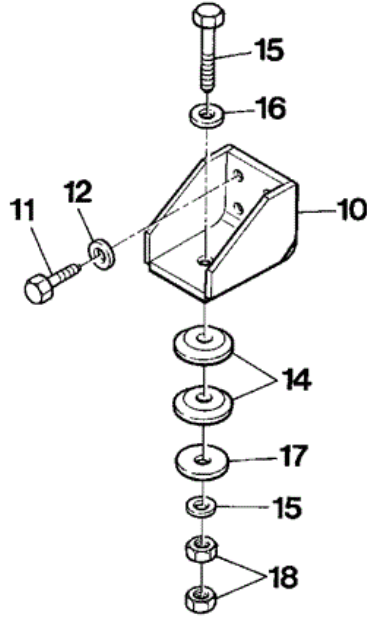


510251

Item	Part #	Change No	Description	Usage Code	QTY
1	9113416098		Housing flywheel		1
2	9992023160		Plug drain		1
4	9095714160		Washer seal		1
5-1	9944112350		Stud M12 x 35 L=53		3
10	9019108250		Bolt		7
10-1	9910664500		Bolt		7
10-3	9910664650		Bolt		2
14	9991104140		Nut		1
15	9096510690		Washer plain		8
20-1	1096254391		Seal oil, rear		1
21	1123312250		Flywheel assembly		1
22	:1123330170		Gear ring		1
23	9081510250		Pin		2
24	1098002140		Bearing ball		1
25	5123360081		Washer		1
26	9920616380		Bolt		6



9802/5850 K1-8-2 ENGINE MOUNTINGS



512411

Item	Part #	Change No	Description	Usage Code	QTY
1	KRH0351		Bracket engine support front		1
2	KBH0489	<M708079	Bracket engine support front		1
2	KBH0706		Bracket engine support front		1

3	KMH0201		Bolt high strength	7
4	JHP0045		Washer	8
5	1316/0298Z		Screw	2
6	6060/0008Z	Superseded	Washer spring	2
6	1425/0008Z		Spring Washer	2
7	6059/0008Z		Washer plain	2
8	1093000550		Stud L1=45	1
9	C4E7863		Nut High Strength	1
10	KRH0349		Bracket engine support rear	2
11	1316/3510Z		Bolt	8
12	JHP0042		Washer M12	8
13	KBH0401		Mounting rubber	4
14	KNH0037		Mounting rubber	4
15	6010/3722		Bolt high strength	4
16	JHP0043		Washer M16	8
17	KSH0297		Plate	4
18	172R016VN	Superseded	Nut high strength	8
18	173R016VZ		Nut	8
19	KMR0242		Clip	1

Thank you so much for reading.
Please click the “Buy Now!”
button below to download the
complete manual.



After you pay.

You can download the most
perfect and complete manual in
the world immediately.

Our support email:

ebooklibonline@outlook.com