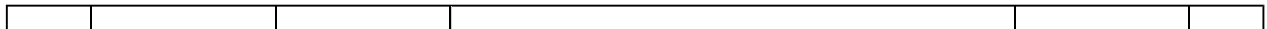
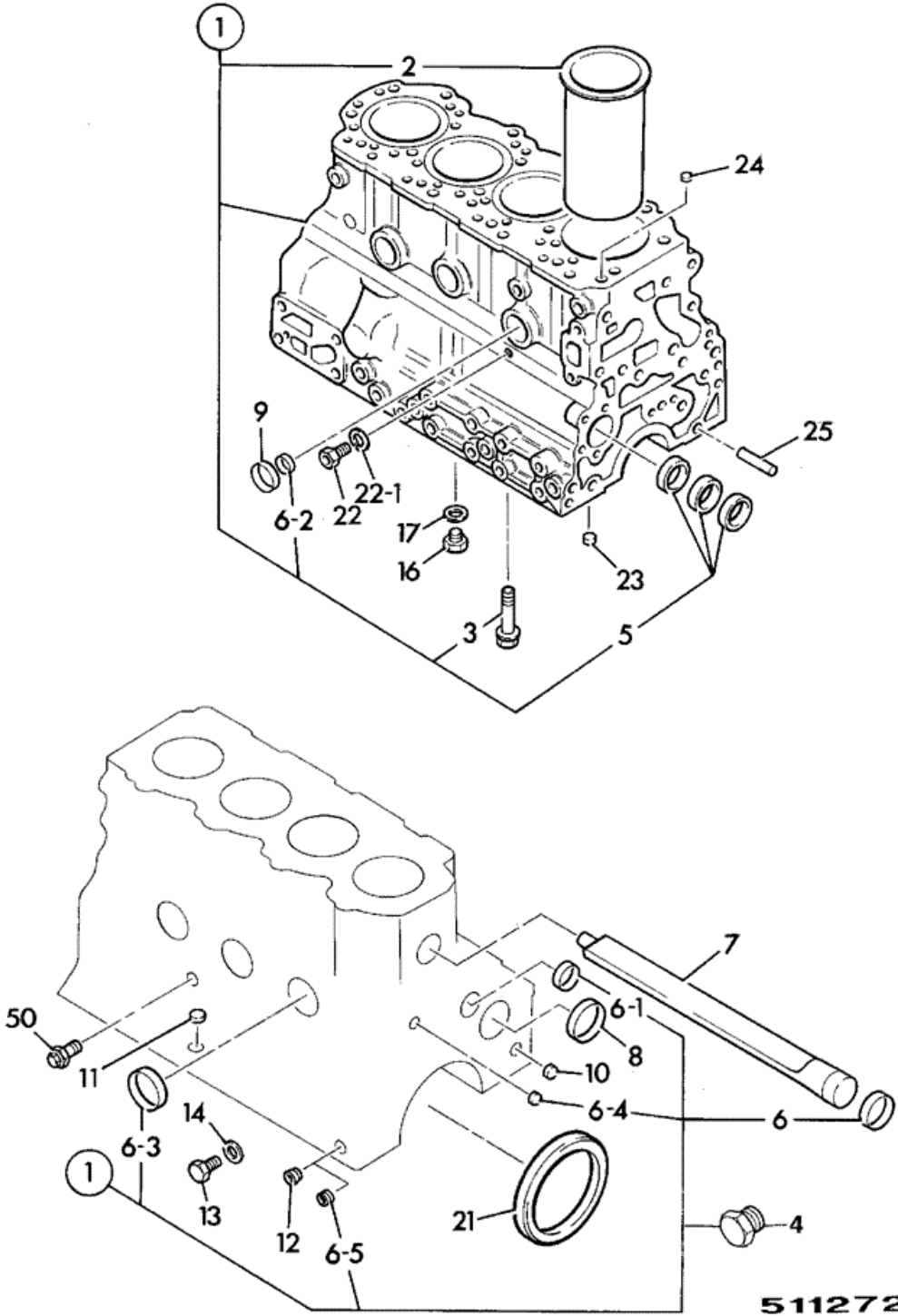




9802/5710 L1-3-1 BLOCK ASSEMBLY

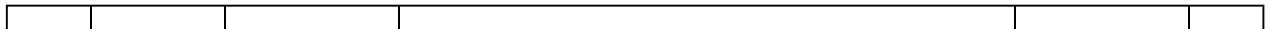
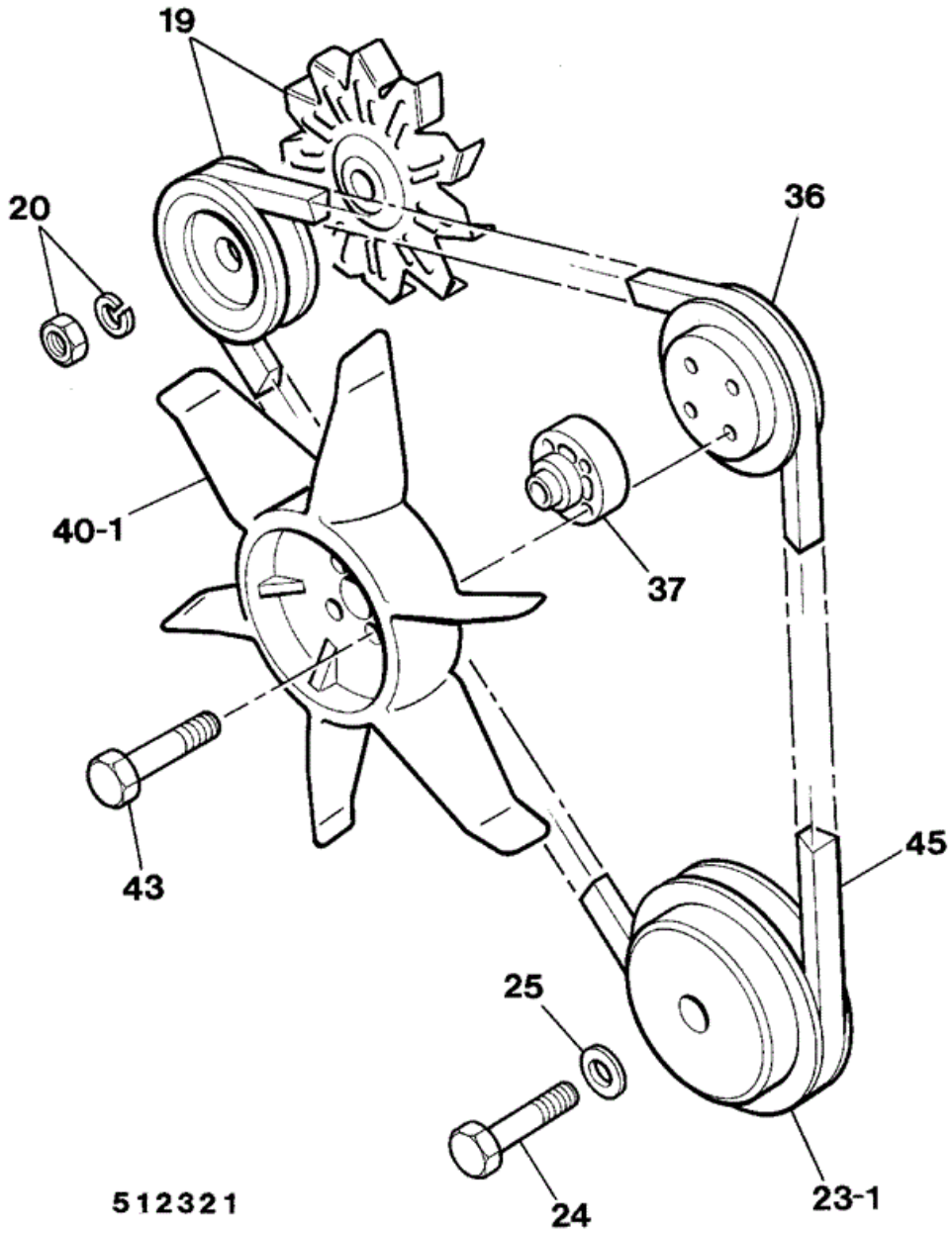


Item	Part #	Change No	Description	Usage Code	QTY
1	02/800018		Block assembly, cylinder		1
2	:02/800228	Superseded	Liner cylinder <i>For Engine Overhaul Kit, See frame L8-2-1</i>		4
2	:02/800708		Liner cylinder, grade (AX) 95.021/95.030		4
3	:8944326420		Bolt		10
4	02/800019		Plug water drain, PT 1/4		1
5	:02/800021		Kit-bearing camshaft		1
5-2	:02/800023		Kit-bearing camshaft 1.00 undersize		0
6	:5112190180		Cup sealing, D=36		1
6-1	:5112190170		Cup sealing, D=38		1
6-2	:5112190080		Cup sealing, D=18		3
6-3	1096000051	Superseded	Plug D=45		3
6-3	1096000580		Plug water jacket D=45		3
6-4	5096000130		Plug D=12		1
6-5	:5112190150		Plug D=32		2
7	8944713580		Pipe water		1
8	8942505140		Cup sealing, D=56		1
9	5112190180		Cup sealing, D=36		3
10	5111290060		Plug sealing, D=16		2
11	5111290030		Cup sealing, D=15.6		1
12	5096050192		Plug taper		2
13	9992023140		Plug		1
14	9095714140		Washer seal		1
16	9992023160		Plug drain		1
17	9095714160		Washer seal		1
21	02/800229		Seal rear oil		1
22	8941300211		Nipple grease		1
22-1	9095720080		Washer seal		1
23	9098785970		Pin		2
24	8944533440		Dowel		2
25	9081510200		Pin		2
50	8944226000		Tap water drain		1

6	02/800234		Rod assenbly connecting	4
7	:02/800239		Bolt con-rod	2
8	:5094090160		Nut	2
10	:02/800235		Bush small end	1
11	02/800236		Kit-bearing big end	4
12	8944544790		Pin gudgeon, ID=16	4
13	8941339690		Ring snap	8
15	02/800237		Crankshaft	1
21	9080307430		Key	1
22	02/800238		Gear crankshaft	1

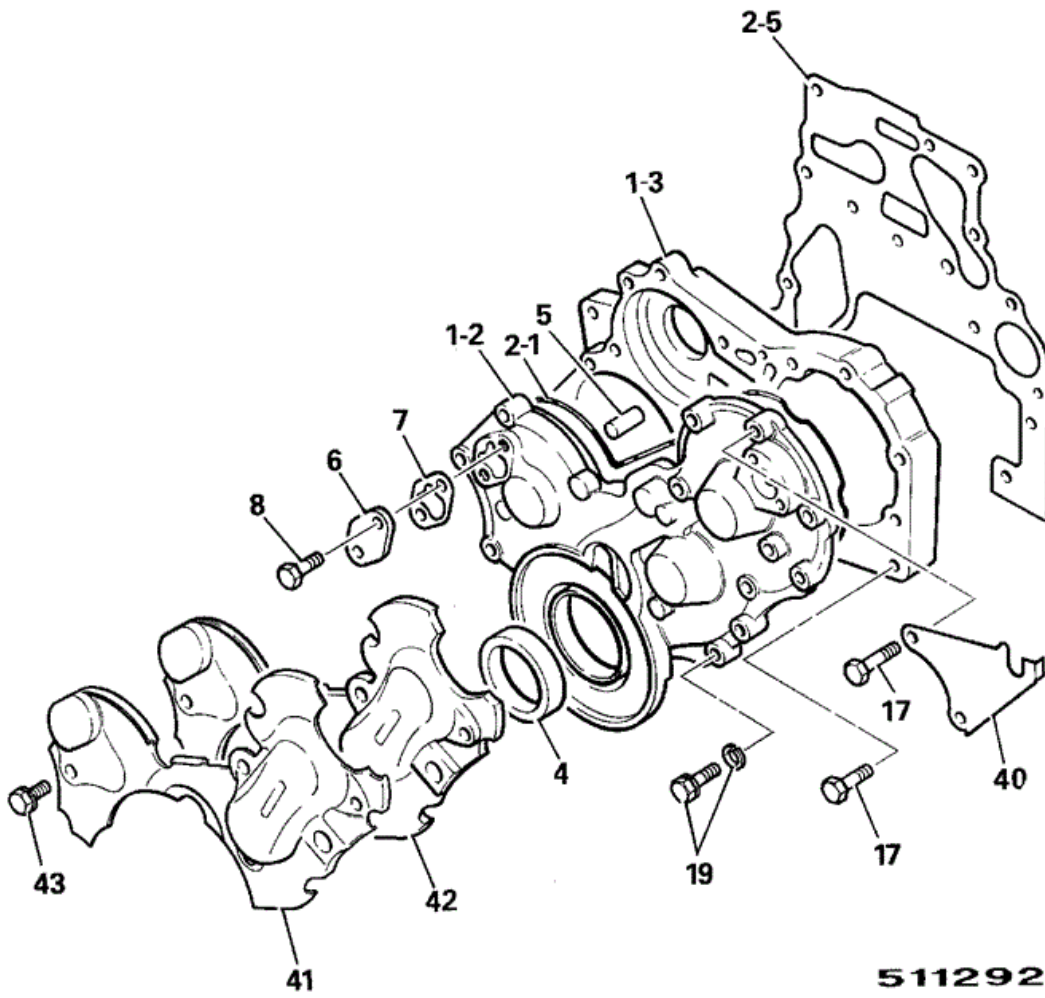


9802/5710 L1-5-1 FANS, PULLEYS & FAN BELT

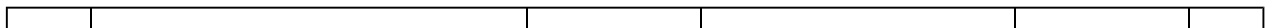


Item	Part #	Change No	Description	Usage Code	QTY
19	714/34311		Kit-Pulley & fan		1
20	714/34313		Nut		1
23-1	02/800240		Pulley crankshaft		1
24	02/800244		Bolt		1
36	02/800243		Pulley water pump D=130 9x8		1
37	02/800246		Spacer fan T=32		1
37-1	02/800245		Spacer fan T=60		1
40-1	02/800242		Fan 7 blade, D=450		1
43	02/800029		Bolt L=55		4
45	02/800241		Belt fan		1

JCB 9802/5710 L1-6-1 TIMING CASE



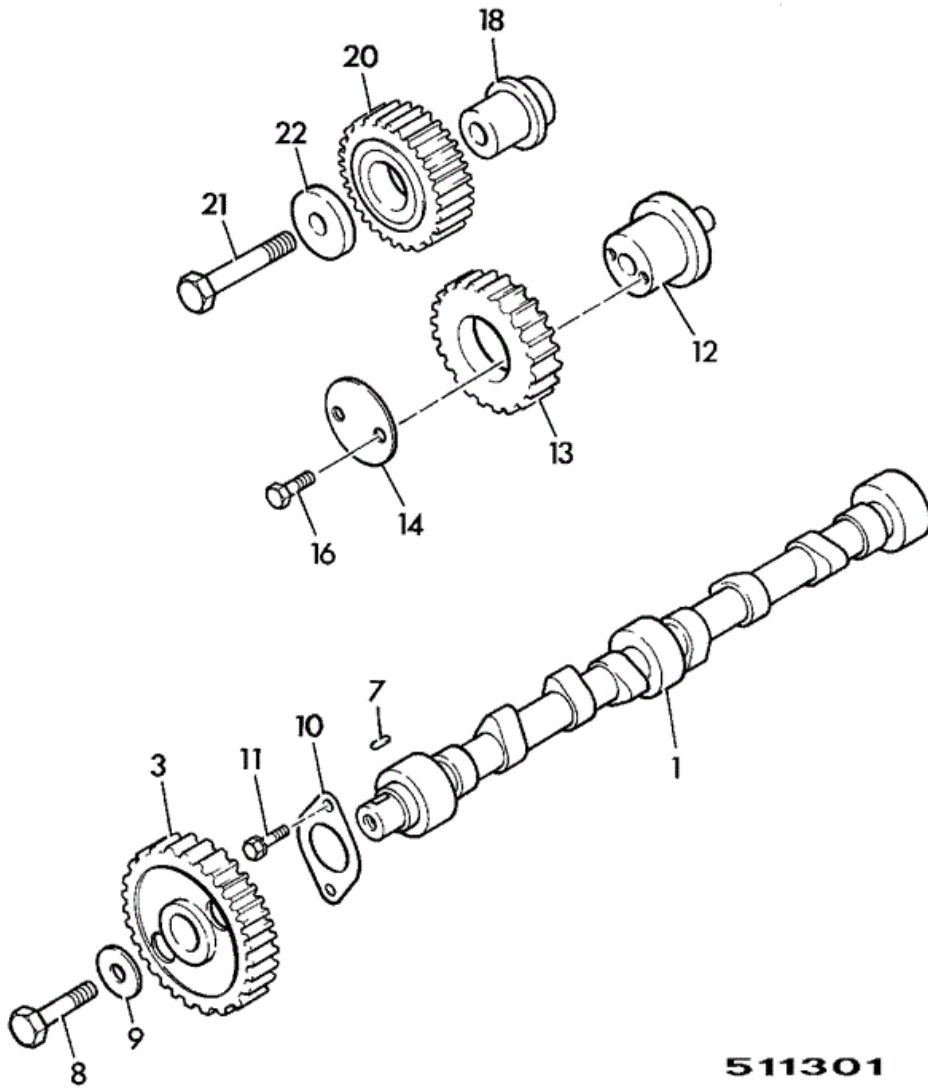
511292



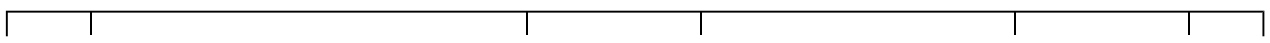
Item	Part #	Change No	Description	Usage Code	QTY
1-2	02/800247		Cover timing		1
2-2	02/800248		Casing timing		1
5-2	02/800249		O Ring t/cover to t/case		1
6-1	02/800250		Gasket t/case to block		1
7	9081510200		Pin		2
8	02/800251		Seal front oil		1
10	02/800254		Cover inspection		2
11	02/800326		Gasket inspection cover		2
12	0500406140		Bolt		4
23	0500408200		Bolt		6
23	9058208450		Bolt		2
25	0500408320		Bolt		8
25	8942059861		Bolt L=65		6
25	0500408600		Bolt L=60		1
51	02/800252		Cover assembly		1
52	02/800253		Spacer cover		1
53	0501406180		Bolt		4



9802/5710 L1-6-2 CAMSHAFT & GEARS



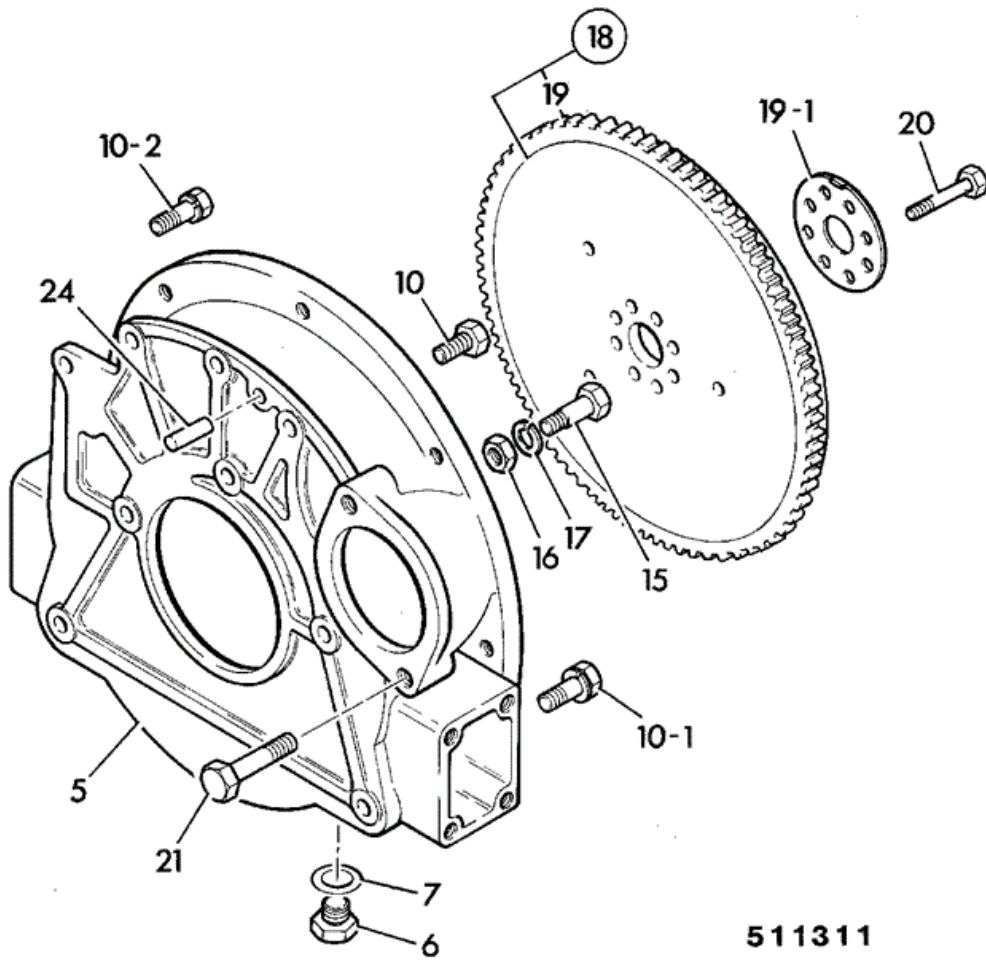
511301



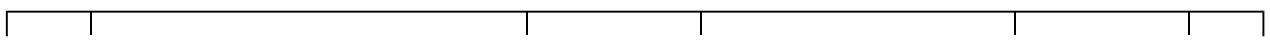
Item	Part #	Change No	Description	Usage Code	QTY
1	02/800028		Camshaft		1
3	02/800255		Gear camshaft		1
7	9080007180		Key		1
8	5090000690		Bolt B=21 L=47		1
9	5125190021		Washer T=8		1
10	02/800261		Plate thrust		1
11	0500408160		Bolt		2
12	02/800257		Shaft idler gear 'A'		1
13	02/800256		Gear idler 'A'		1
14	02/800262		Collar thrust		1
16	02/800029		Bolt L=55		2
18	02/800259		Shaft idler gear		1
20	02/800258		Gear idler 'B'		1
20-1	:02/800260		Bearing idler		1
21	8941097061		Bolt shaft, L=67		1
22	5125190021		Washer T=8		1



9802/5710 L1-7-1 FLYWHEEL & HOUSING



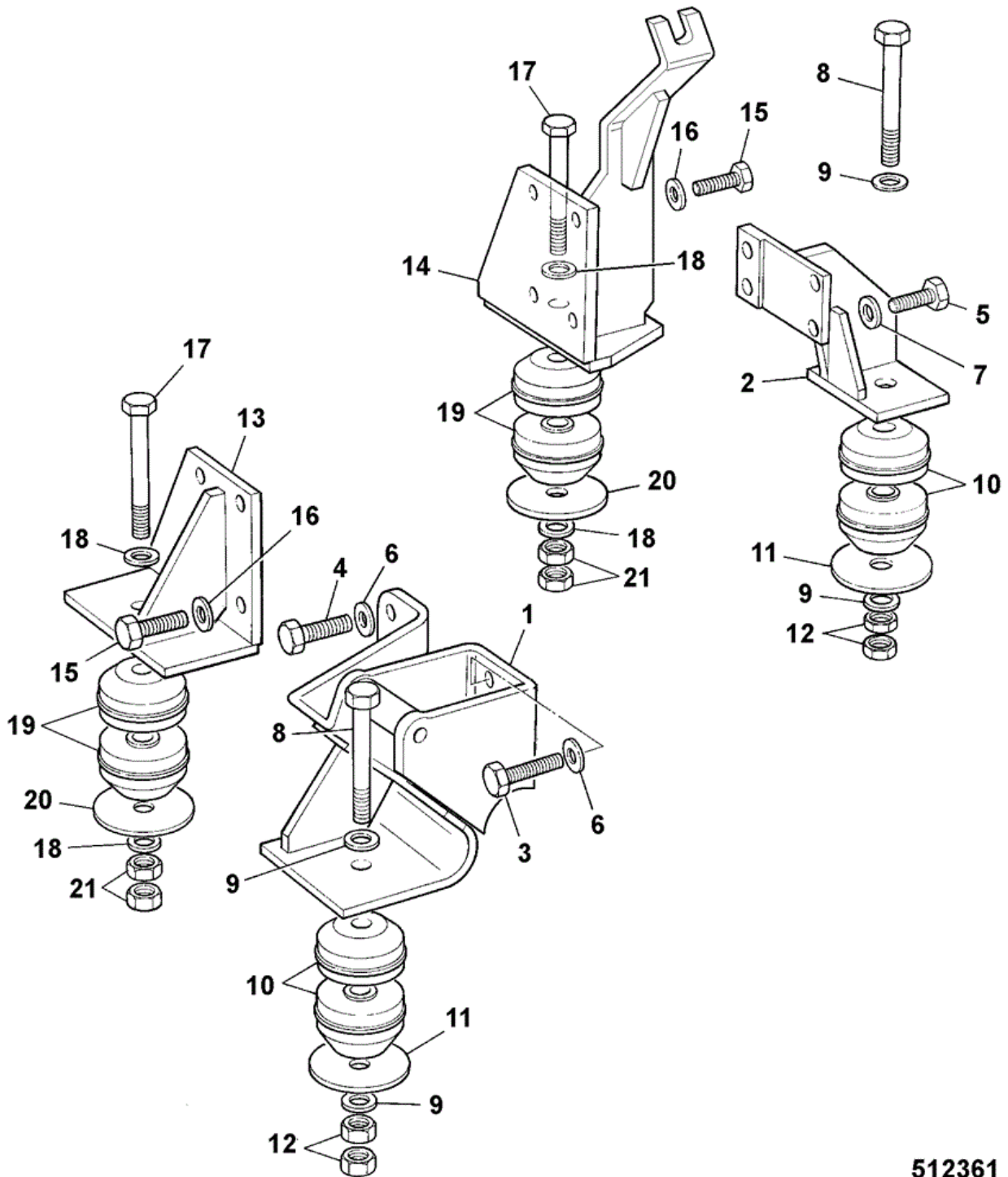
511311



Item	Part #	Change No	Description	Usage Code	QTY
5	02/800263		Housing flywheel		1
10	5090002270		Bolt M12 X 25mm		3
10-1	0500412300		Bolt		2
10-2	0500410300	Superseded	Bolt		3
10-2	02/801571		Bolt flange M10x30		3
15	9096065350		Bolt		1
16	9091115100		Nut		1
17	9091505100		Washer spring		1
18	02/800264		Flywheel assembly		1
19	:02/800265		Gear flywheel ring		1
19-1	02/800268		Plate locking		1
20	02/800266		Bolt		8
21	02/800267		Stud		2
22	9091505100		Washer spring		2
23	9091105100		Nut		2
24	9081610320		Pin		1



9802/5710 L1-8-1 ENGINE MOUNTINGS

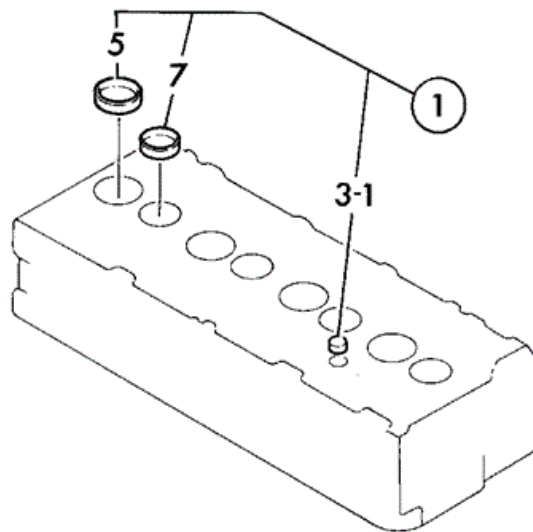
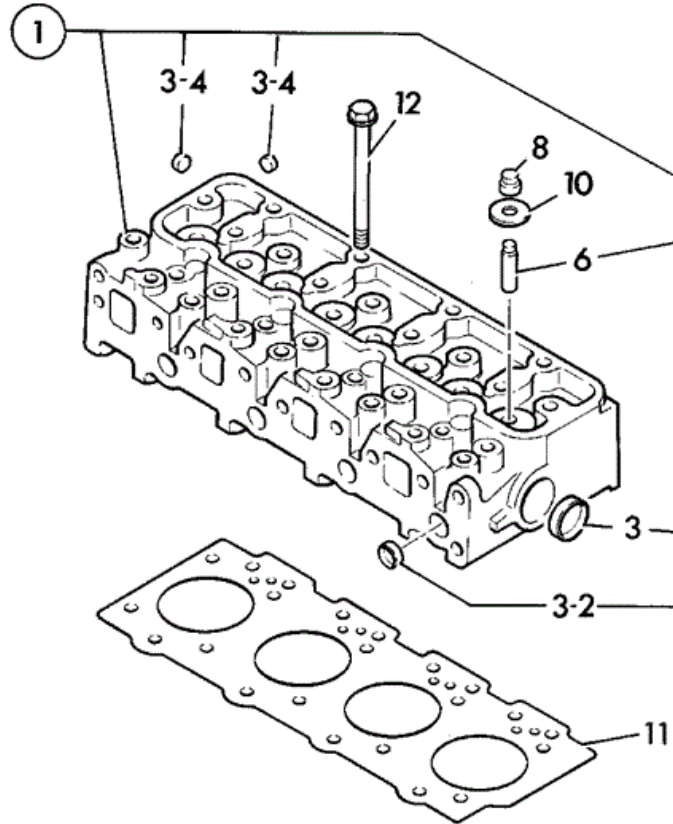


512361

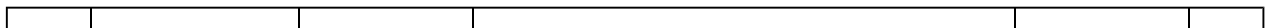
Item	Part #	Change No	Description	Usage Code	QTY
1	KAH0986		Bracket engine mounting		1
2	KAH0985		Bracket engine mounting		1
3	KEH0112		Bolt		8

4	BRH0346		Bolt		3
5	BRH0124		Bolt		1
6	JHP0045		Washer		11
7	BRH0296		Washer high strength		1
8	1316/3722Z		Bolt		2
9	KHN0297		Washer high strength		4
10	KAH0622		Mounting rubber		4
11	KAH0555		Washer rebound		2
12	162R016VR		Nut		4
13	KAH0999		Bracket engine mounting		1
14	KAH0984		Bracket engine mounting		1
15	1316/0408Z		Screw M10x30		8
16	JHP0045		Washer		8
17	1316/3722Z		Bolt		2
18	KHN0297		Washer high strength		4
19	KAH0623		Mounting rubber		4
20	KAH0555		Washer rebound		2
21	162R016VR		Nut		4

JCB 9802/5710 L2-1-1 CYLINDER HEAD



511331



Thank you so much for reading.
Please click the “Buy Now!”
button below to download the
complete manual.



After you pay.

You can download the most
perfect and complete manual in
the world immediately.

Our support email:

ebooklibonline@outlook.com