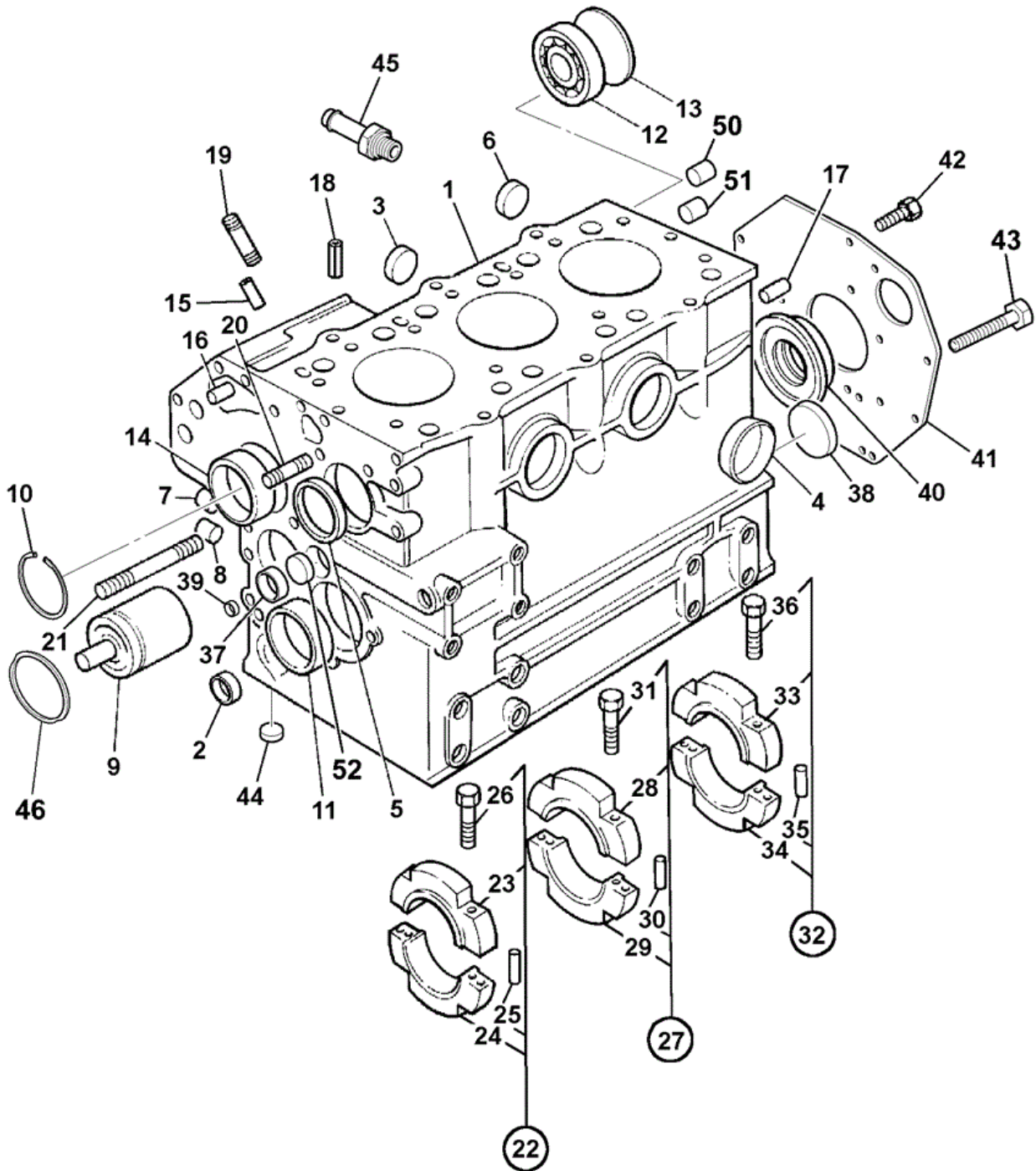




## 9802/6320 N1-3-1 BLOCK ASSEMBLY

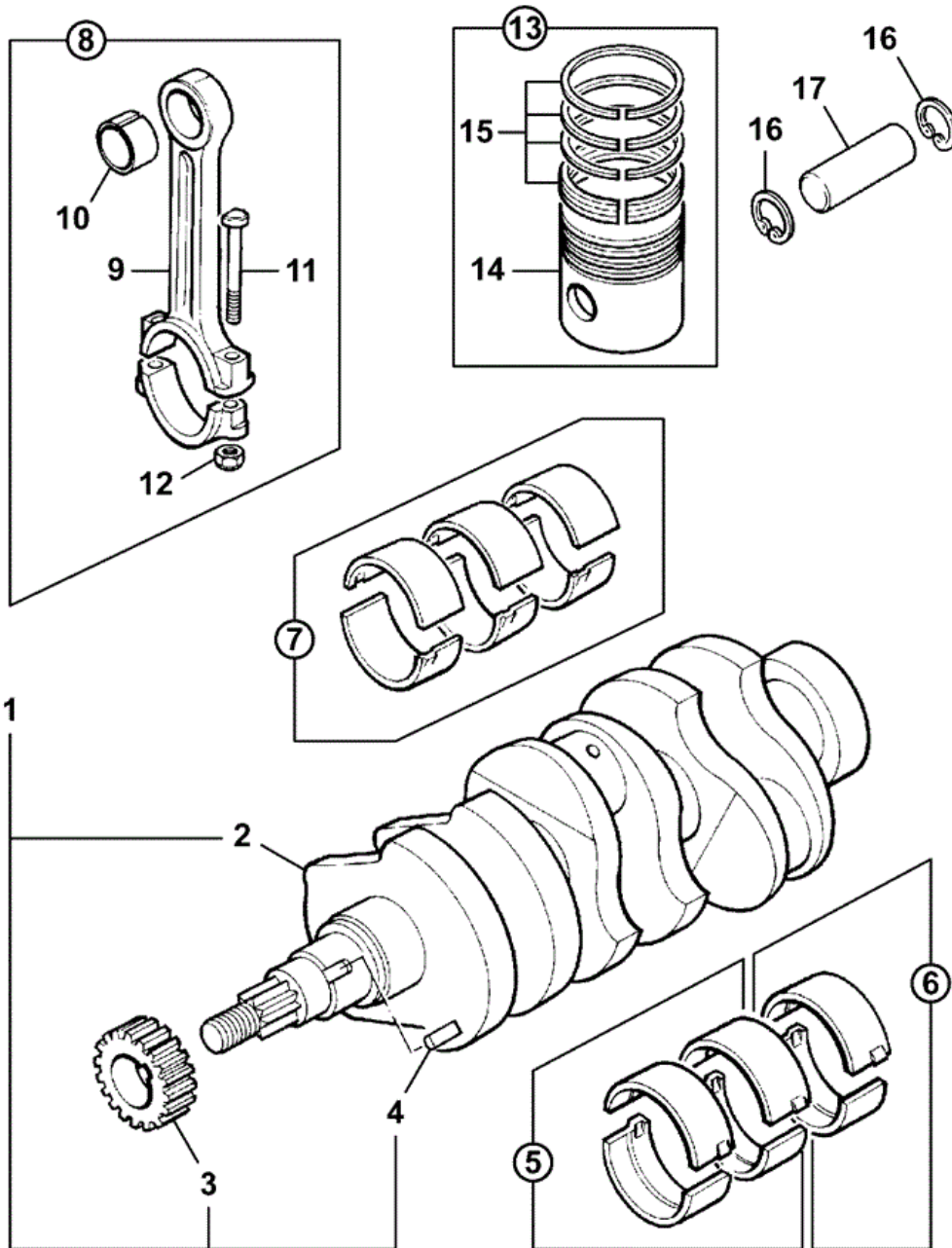


788511

Item	Part #	Change No	Description	Usage Code	QTY
1	****		None serviced part		1
2	:02/630929		Plug D=15mm		1
3	:02/630658		Plug D=19.8mm		1

4	:02/630934		Plug D=35mm	1
5	:02/630934		Plug D=35mm	1
6	:02/630933		Plug D=18mm	1
7	:02/630007		Plug 8.4mm	4
8	:02/630456		Plug D=40mm	4
9	:02/630937		Shaft	1
10	:02/630030		Circlip	1
11	:02/630936		Bush	1
12	:02/630928		Bearing ball	1
13	:02/630014		Plug core D=45mm	1
14	:02/630015		Bearing	1
15	:02/630016		Dowel	1
16	:02/630017		Dowel	1
17	:02/630927		Dowel	1
18	:02/630019		Pin	2
19	:826/10775		Stud	2
20	:826/10720		Stud	1
21	:02/630022		Stud	1
22	:02/630944		Cap bearing assembly	1
23	:N.S.P.		None serviced part	1
24	::N.S.P.		None serviced part	1
25	::02/630024		Dowel	2
26	::02/630567		Bolt	2
27	:02/630946		Cap bearing assembly	1
28	::N.S.P.		None serviced part	1
29	::N.S.P.		None serviced part	1
30	::02/630024		Dowel	2
31	::02/630567		Bolt	2
32	:02/630947		Cap bearing assembly	1
33	::N.S.P.		None serviced part	1
34	::N.S.P.		None serviced part	1
35	::02/630024		Dowel	2
36	::02/630948		Bolt	2
37	02/630933		Plug D=18mm	1
38	02/630934		Plug D=35mm	1
39	02/630005		Plug D=5.4mm	1
40	02/630032		Seal rear oil	1
41	02/630996		Backplate flywheel	1
42	826/10725		Screw	8
43	02/630926		Bolt	2
44	02/630456		Plug D=40mm	1
45	N/A		Not applicable not available	1
46	02/630222		Washer thrust	1
50	02/630007		Plug 8.4mm	1
51	02/630007		Plug 8.4mm	1
52	02/630456		Plug D=40mm	1
53	02/630532		Bolt caphead	2
54	02/630029		Screw	1

**JCB** 9802/6320 N1-4-1 CRANKSHAFT, BEARINGS PISTONS &  
 CON-RODS



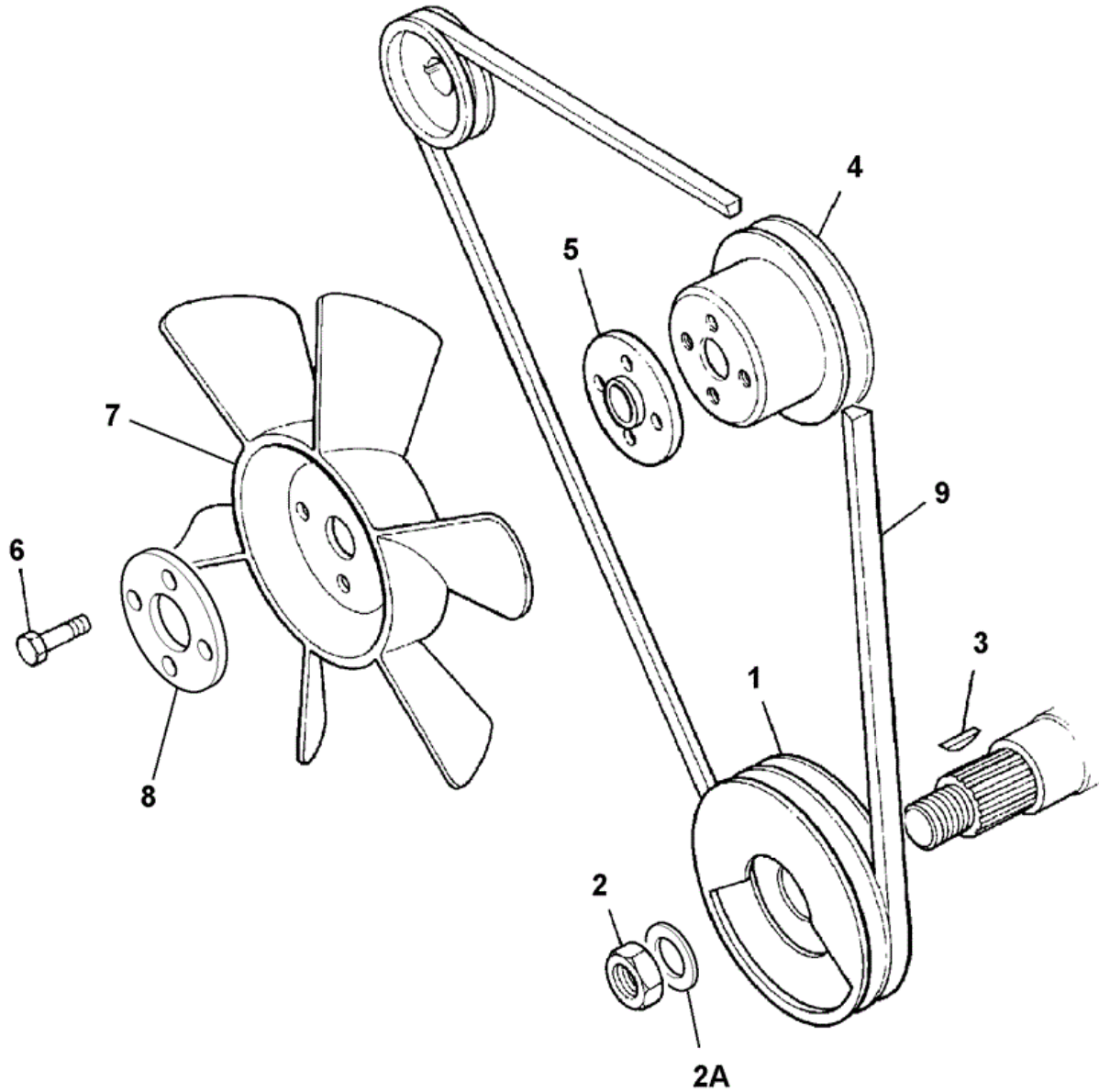
789170

Item	Part #	Change No	Description	Usage Code	QTY
1	02/630941		Kit-crankshaft <i>Includes items 2,3 and 4</i>		1

2	:N.S.P.		None serviced part	1
3	:02/630943		Gear crankshaft	1
4	:02/630042		Key	1
5	02/630945		Kit-bearing main	1
6	02/630950		Kit-bearing assembly	1
7	02/630959		Kit-bearing big end	1
8	02/630955		Conrod <i>Includes items 9 to 12</i>	1
9	****		None serviced part	1
10	:02/630956		Bush small end	1
11	:02/630957		Bolt	2
12	:02/630958		Nut	2
13	02/630949		Piston assembly standard <i>Includes items 14 and 15</i>	1
14	****		None serviced part	1
15	:02/630952		Kit-piston ring	1
16	02/630954		Circlip	2
17	02/630953		Pin gudgeon	1



## 9802/6320 N1-5-1 FANS, PULLEYS & FAN BELT



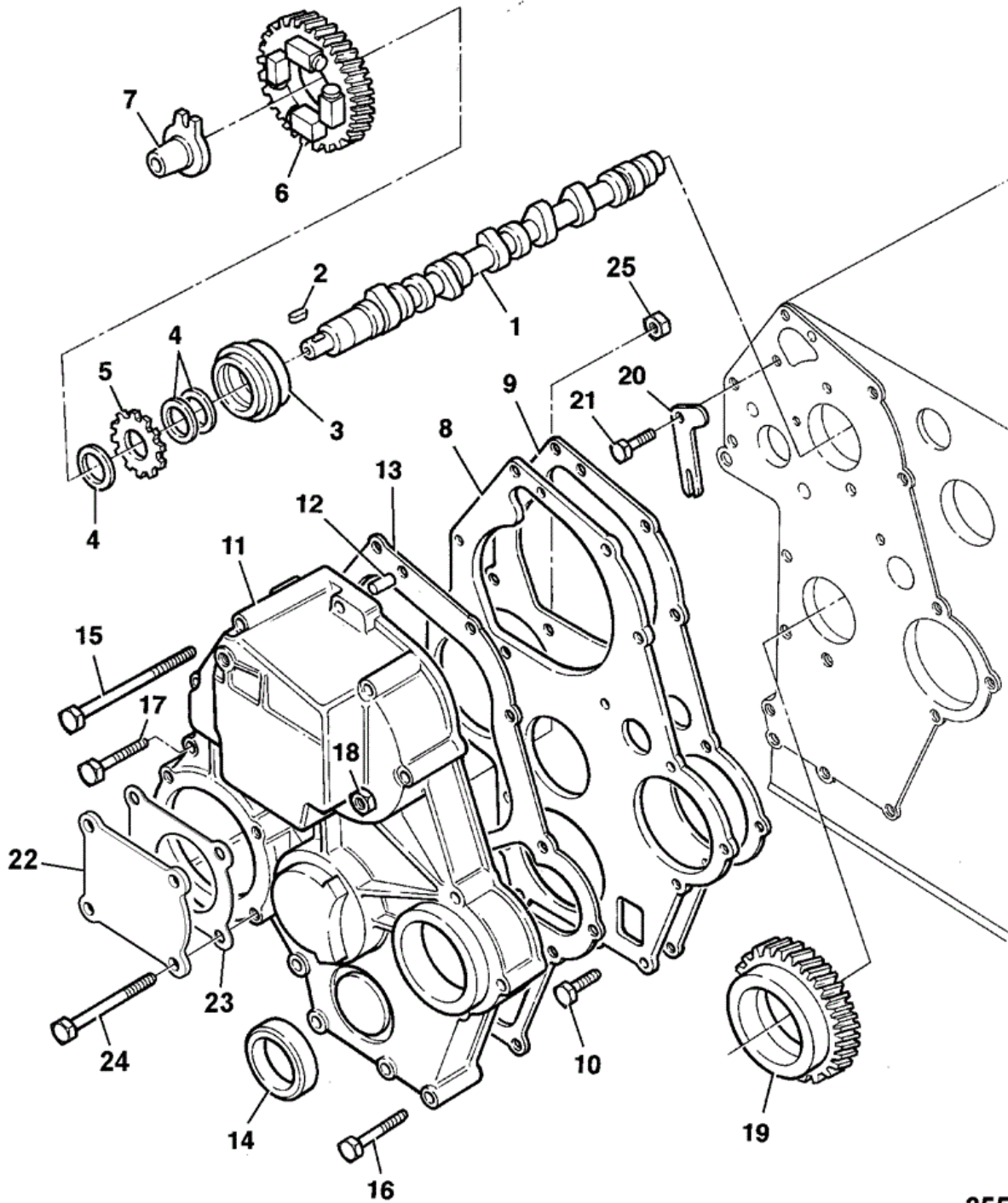
741440

Item	Part #	Change No	Description	Usage Code	QTY
1	02/630074		Pulley crankshaft		1
2	02/630067		Nut		1
3	02/630068		Key		1

4	02/630070		Pulley water pump		1
5	N/A		Not applicable not available		1
6	02/634076		Screw		4
6	02/630122		Screw		4
7	02/630533		Fan <i>SEE NOTE REFERENCE SALES SPECIALS</i>		1
8	02/630069		Spacer fan		1
9	02/634897		Belt Fan		1



## 9802/6320 N1-6-1 TIMING CASE CAMSHAFT & GEARS



255691

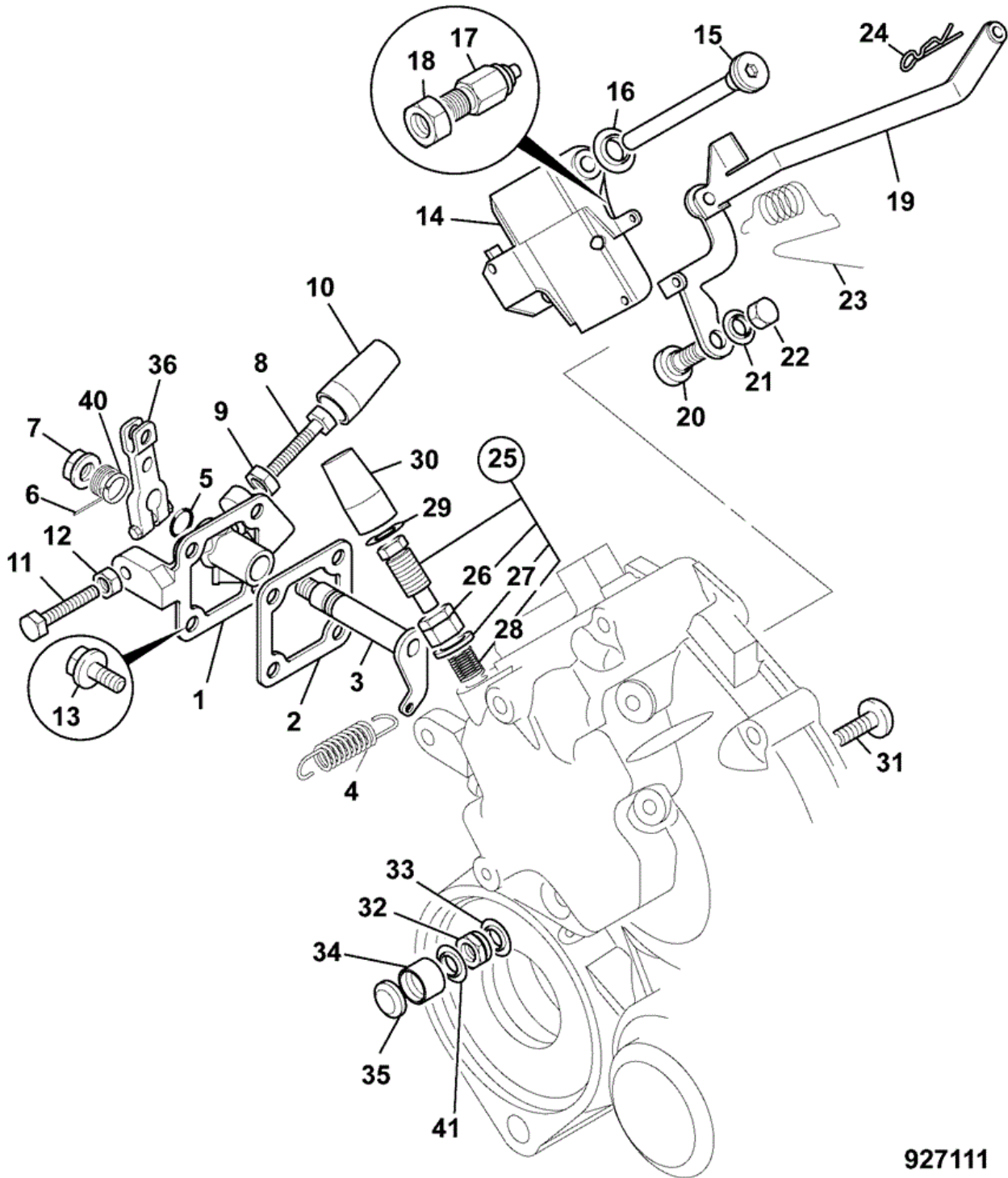
Item	Part #	Change No	Description	Usage Code	QTY
1	02/634896		Camshaft Assembly		1
2	:02/630068		Key		1
3	:02/630081		Bearing		1

4	:02/630082	Spacer	1
5	:02/630083	Gear	1
6	:02/634895	Gear Camshaft	1
7	02/634740	Tappet .	1
8	02/630938	Plate	1
9	02/630939	Gasket	1
10	02/630102	Screw	3
11	02/634894	Cover Timing	1
12	02/630089	Pin	1
13	02/630476	Gasket	1
14	02/630092	Seal front oil	1
15	826/10740	Bolt	2
16	826/10777	Screw	4
17	826/10729	Screw	2
18	02/630096	Nut	1
19	****	'See Remark' <i>Oil pump gear, See frame M5-2-1</i>	1
20	02/630101	Plate	1
21	02/630102	Screw	1
21	02/630103	Screw	1
22	02/630477	Plate	1
23	02/630478	Gasket	1
24	02/630479	Screw	4
25	02/630078	Nut	4





## 9802/6320 N1-6-2 TIMING LEVERS ARMS & SPRINGS



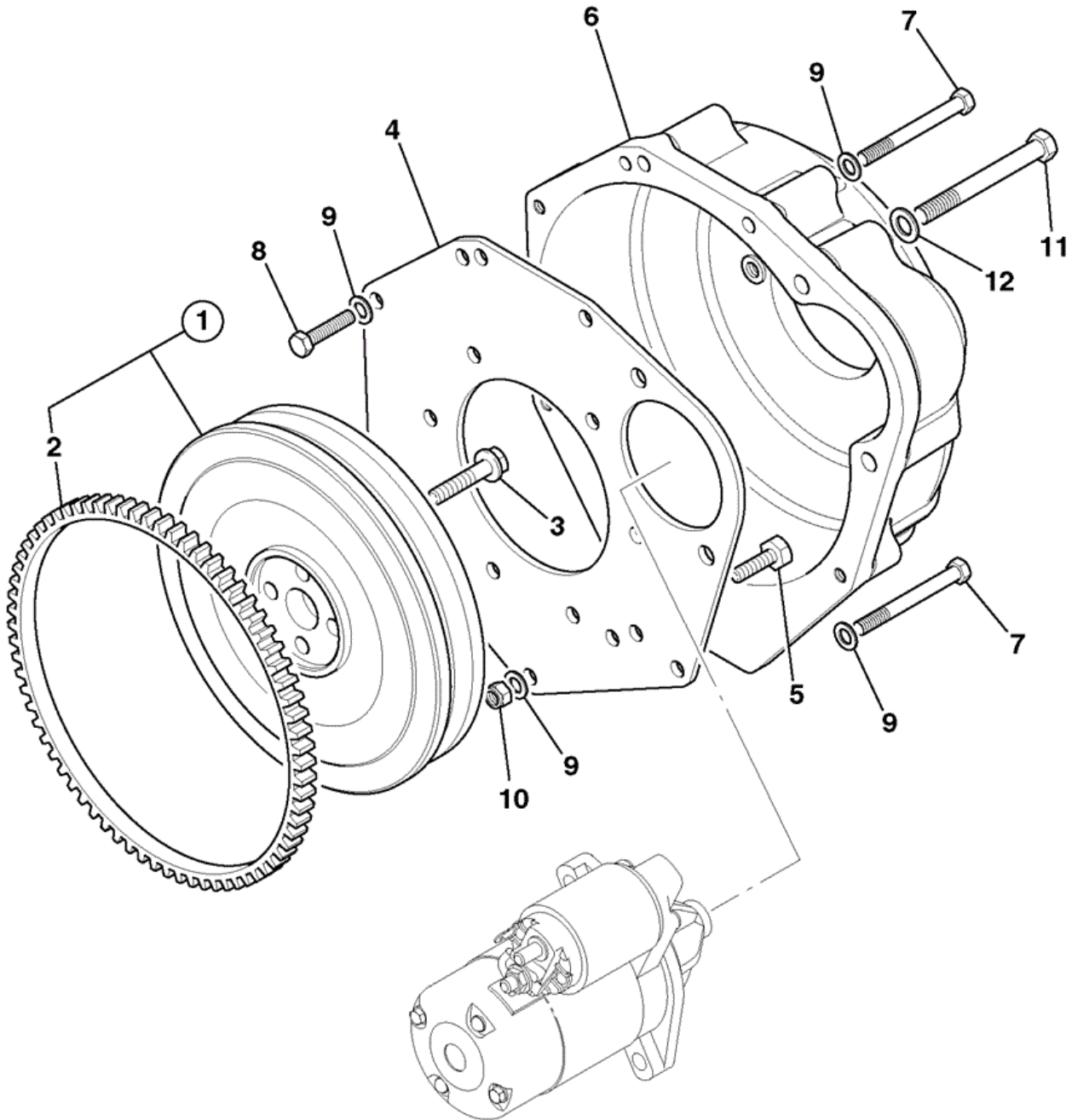
927111

Item	Part #	Change No	Description	Usage Code	QTY
1	02/634743		Bracket .		1
2	02/634770		Gasket .		1
3	02/634873		Lever Arm		1

4	02/634839		Spring .	1
5	02/630493		O Ring	1
6	02/634771		Spring .	1
7	02/630078		Nut	1
8	826/10742		Screw	1
9	826/10743		Nut	1
10	02/634166		Cap anti-tamper	1
11	826/10742		Screw	1
12	1370/0101Z		Nut (M6)	1
13	02/630071		Screw	4
14	02/634874		Lever Control	1
15	02/634738		Shaft .	1
16	02/630808		Washer	1
17	02/634883		Sensor Speed	1
18	02/634717		Nut .	1
19	02/634884		Control Lever	1
20	02/634737		Pivot Pin Bolt	1
21	02/630266		Washer	1
22	02/634720		Nut .	1
23	02/634774		Spring .	1
24	02/630111		Pin	1
25	02/634827		Bolt Assembly	1
26	:826/10738		Nut	1
27	:02/630308		Washer	1
28	:02/634775		Spring .	1
29	02/634776		Ring .	1
30	02/634159		Cap anti-tamper	1
31	02/634749		Bolt .	1
32	02/634842		Nut .	1
33	02/630266		Washer	1
34	02/634843		Cap Anti Tamper	1
35	02/634723		Cap .	1
36	02/634742		Lever .	1
40	02/630107		Circlip	1
41	02/634776		Ring .	1



## 9802/6320 N1-7-1 FLYWHEEL & HOUSING



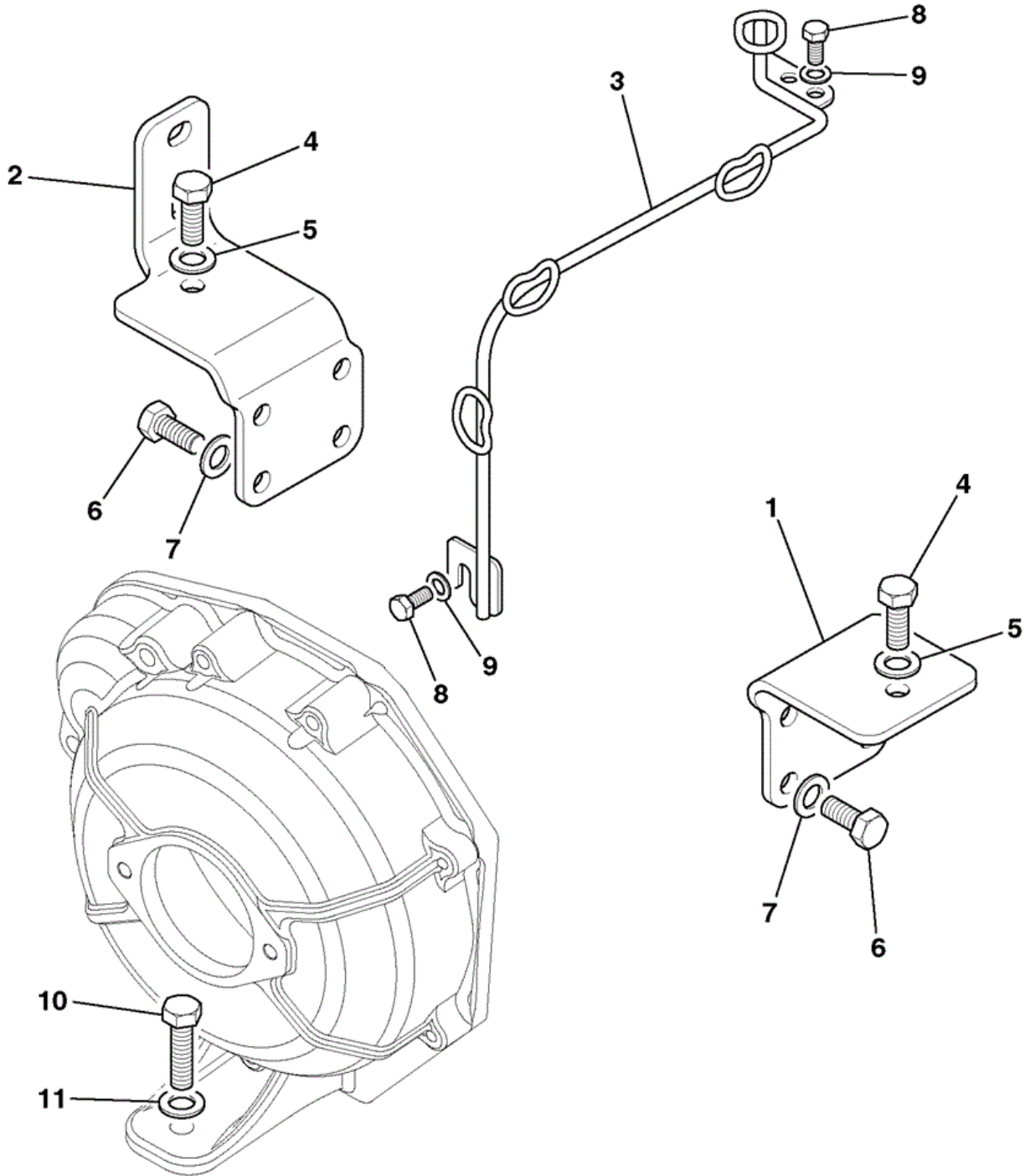
819600

Item	Part #	Change No	Description	Usage Code	QTY
1	02/630496		Flywheel assembly		1
2	:02/630497		Ring starter		1
3	02/630498		Screw		4

4	02/630996		Backplate flywheel	1
5	826/10725		Screw	8
6	331/56307		Housing flywheel	1
7	1315/3317D		Bolt M8 x 75mm long	3
8	1315/0309D		Setscrew M8 x 35 mm	3
9	1420/0007D		Washer (M8)	7
10	1370/0203D		Nut Lock M8	1
11	826/10770		Bolt	2
12	1420/0008D		Washer (M10)	2



## 9802/6320 N1-8-1 ENGINE MOUNTINGS



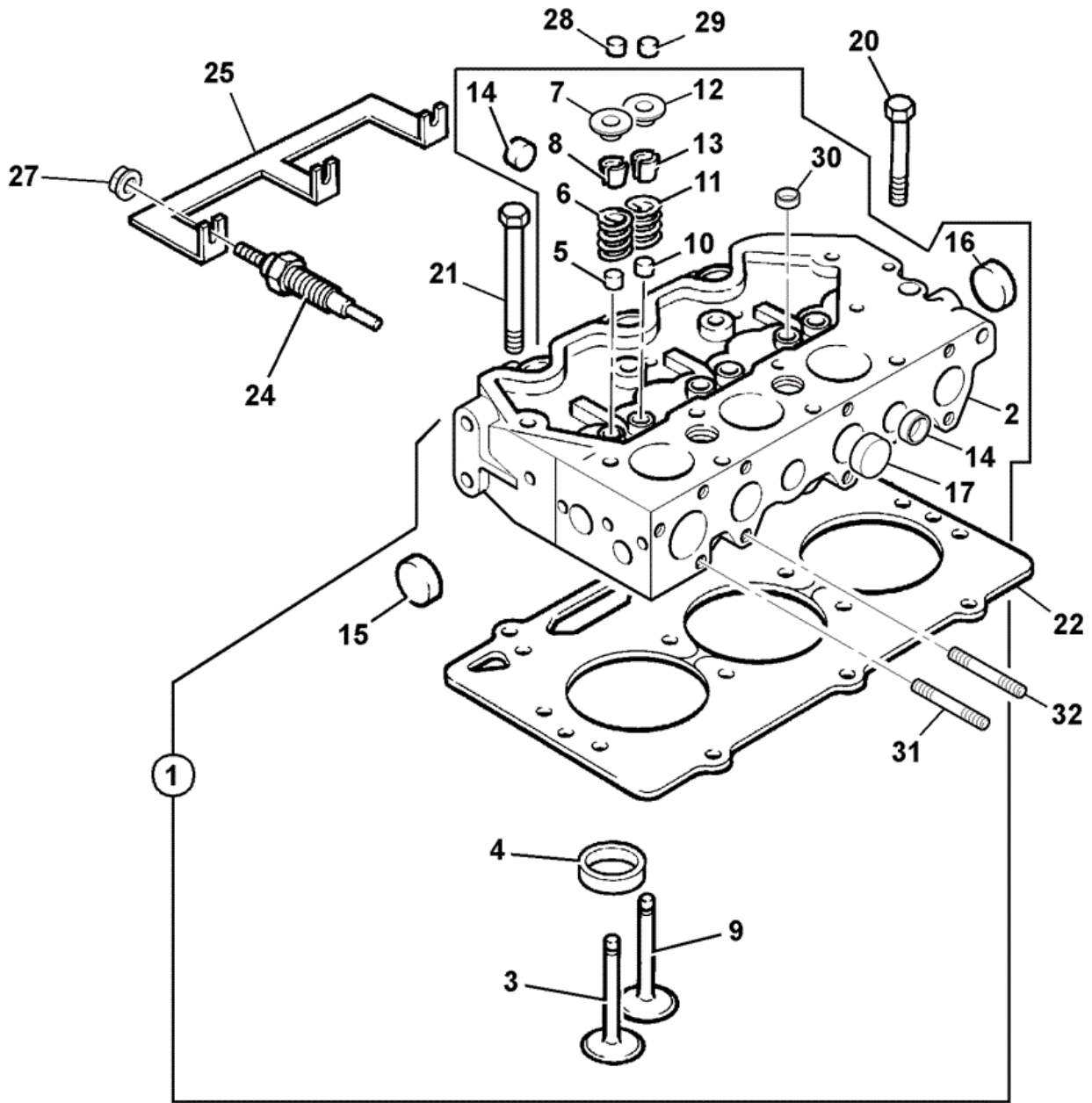
819610

Item	Part #	Change No	Description	Usage Code	QTY
1	331/56305		Bracket L/H mounting		1
2	331/56306		Bracket R/H mounting		1
3	335/11040		Rod harness support		1

4	1315/0508D		Setscrew M12 x 30 mm	2
5	823/00309		Washer hardened (13mm x 23mm x 2.7mm)	2
6	826/10994		Screw hex head M12x25 fine pitch	8
7	823/00309		Washer hardened (13mm x 23mm x 2.7mm)	8
8	1315/0303D		Setscrew M8 x 16mm	3
9	JHP0080		Washer (M8)	3
10	1315/0511D		Setscrew M12 x 45mm	1
11	823/00309		Washer hardened (13mm x 23mm x 2.7mm)	1



## 9802/6320 N2-1-1 CYLINDER HEAD ASSEMBLY



789221

Item	Part #	Change No	Description	Usage Code	QTY
1	02/630961		Head cylinder assembly		1
2	****		None serviced part		1
3	:02/630964		Valve inlet		3

Thank you so much for reading.  
Please click the “Buy Now!”  
button below to download the  
complete manual.



After you pay.

You can download the most  
perfect and complete manual in  
the world immediately.

Our support email:

[ebooklibonline@outlook.com](mailto:ebooklibonline@outlook.com)