

**McCormick-Deering
Little Genius
Tractor Plow
No. 8**

Operator's Manual

MCD-4997

Reprinted

CASE III






THIS SAFETY ALERT SYMBOL INDICATES IMPORTANT SAFETY MESSAGES IN THIS MANUAL. WHEN YOU SEE THIS SYMBOL, CAREFULLY READ THE MESSAGE THAT FOLLOWS AND BE ALERT TO THE POSSIBILITY OF PERSONAL INJURY OR DEATH.

M171B

If Safety Decals on this machine use the words **Danger, Warning or Caution**, which are defined as follows:

- **DANGER:** Indicates an immediate hazardous situation which if not avoided, will result in death or serious injury. The color associated with Danger is RED.
- **WARNING:** Indicates an potentially hazardous situation which if not avoided, will result in serious injury. The color associated with Warning is ORANGE.
- **CAUTION:** Indicates an potentially hazardous situation which if not avoided, may result in minor or moderate injury. It may also be used to alert against unsafe practices. The color associated with Caution is YELLOW.

If Safety Decals on this machine are ISO two panel Pictorial, decals are defined as follows:

- The first panel indicates the nature of the hazard.
- The second panel indicates the appropriate avoidance of the hazard.
- Background color is YELLOW.
- Prohibition symbols such as   and  if used, are RED.



WARNING

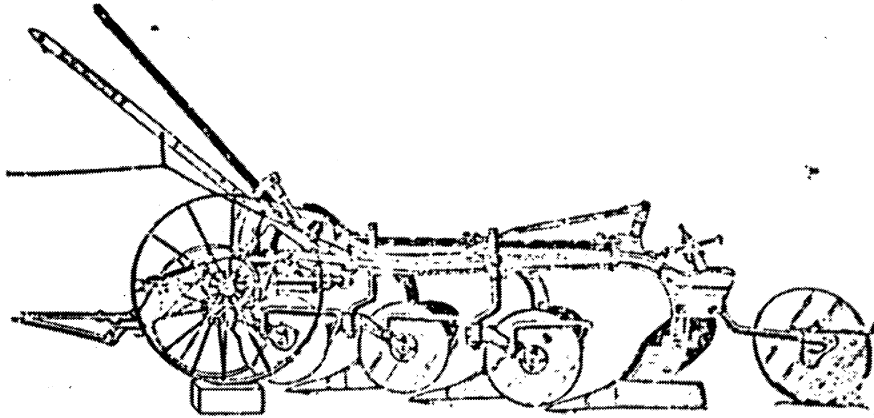
IMPROPER OPERATION OF THIS MACHINE CAN CAUSE INJURY OR DEATH. BEFORE USING THIS MACHINE, MAKE CERTAIN THAT EVERY OPERATOR:

- Is instructed in safe and proper use of the machine.
- Reads and understands the Manual(s) pertaining to the machine.
- Reads and understands ALL Safety Decals on the machine.
- Clears the area of other persons.
- Learns and practices safe use of machine controls in a safe, clear area before operating this machine on a job site.

It is your responsibility to observe pertinent laws and regulations and follow Case Corporation instructions on machine operation and maintenance.

Preserve This Book

Instructions
for
Setting Up and Operating the
McCormick-Deering
Little Genius Tractor Plow No. 8
(2, 3 and 4-Furrow—10", 12", 14" or 16" Bottoms)



No. 8 Little Genius 3-Furrow Plow—Landside View.

With List and Illustrations of Repair Parts

**Important
TO THE OWNER—**

This book has been prepared and is furnished for the purpose of giving the user as much information as possible pertaining to the care and operation of this machine. The owner is urged to read and study this instruction book and if ordinary care is exercised, he will be assured of satisfactory service.

INTERNATIONAL HARVESTER COMPANY
(INCORPORATED)
180 NORTH MICHIGAN AVE. CHICAGO, ILLINOIS, U.S.A.

Avoid Accidents

Most accidents, whether they occur in industry, on the farm, at home, or on the highway, are caused by the failure of some individual to follow simple and fundamental safety rules or precautions. For this reason most accidents can be prevented by recognizing the real cause and doing something about it before the accident occurs.

Regardless of the care used in the design and construction of any type of equipment, there are many conditions that cannot be completely safeguarded against without interfering with reasonable accessibility and efficient operation.

A careful operator is the best insurance against an accident.

The complete observance of one simple rule would prevent many thousand serious injuries each year. That rule is: "Never attempt to clean, oil, or adjust a machine while it is in motion."

NATIONAL SAFETY COUNCIL

INSTRUCTIONS FOR SETTING UP

(Operating Instructions on page 25)

Remove all wires and arrange parts conveniently.

Oil all bearings and moving parts as you proceed, and see that they work freely.

Bolts must be used in the holes in which they are found, or in parts to which they are attached, unless otherwise shown.

Shaded portions in the illustrations show parts to be assembled; these must be placed on the machine in the order numbered.

Wherever the terms "left" and "right" are used, it should be understood to mean from a position behind and facing the machine.

We reserve the right to make changes or improvements in the design or construction of any part without incurring the obligation to install such changes on any machine previously delivered.

The most convenient way to set up this plow is to start with beams upside down.

2, 3 and 4-Furrow Plows

1. With the beams upside down, attach the plow bottoms, using the fill-up washers in the channel of the beams.

The point of the plow share should be held up while tightening the bolts so that when the bottoms are turned right side up the points of the shares will be as low as possible.

Note: The bottom with long landside should always be on the rear beam.

Important: When bolting bottoms to beams, be sure nuts are absolutely tight.



Illustration No. 1
3-furrow.

Share can be removed by loosening nut on tightening rod "A," unhooking same from stud "B" and loosening bolt "C."

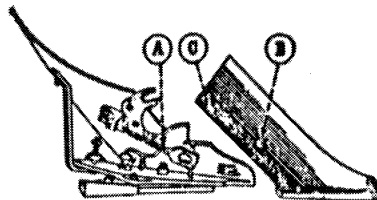


Illustration No. 2

2 and 3-Furrow Plows

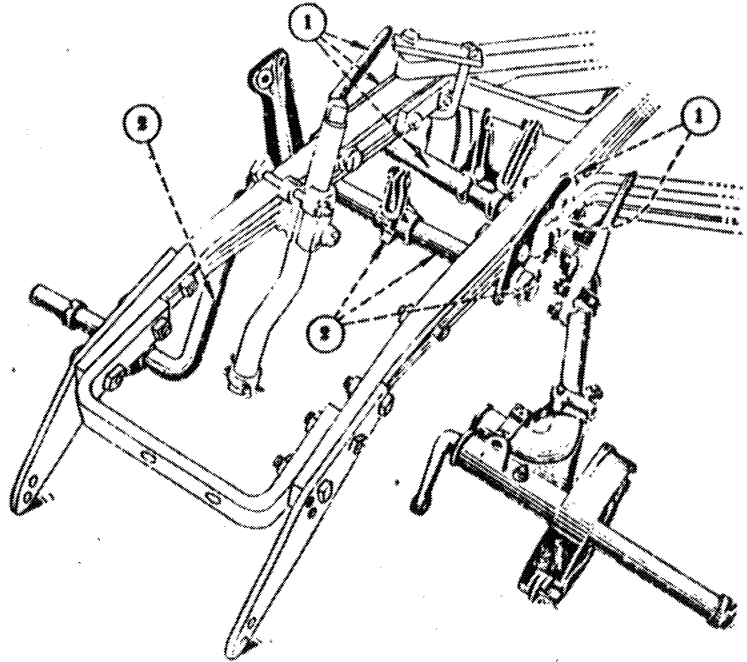


Illustration No. 2—2 and 3-furrow.

1. Remove bolts from second and third beams (on three-furrow plow) and discard spacing block. Remove bolts from axle brackets and bolt brackets with land axle to outside of beams, placing beam washers in channel of beams. (Place land axle bracket between second beam and end of third beam on three-furrow plow.)

2. Remove cotter, linch pin collar and spring anchor from furrow axle, place end of furrow axle through right hand axle plate, put on spring anchor and push axle on through axle bracket on second beam. Replace collar and cotter in end of axle.

Note: The above illustration is for a 3-furrow plow. The 2-furrow plow is assembled in the same manner, the only difference being in the lifting arm on the land axle. (See page 17, paragraph 3.)

2 and 3-Furrow Plows

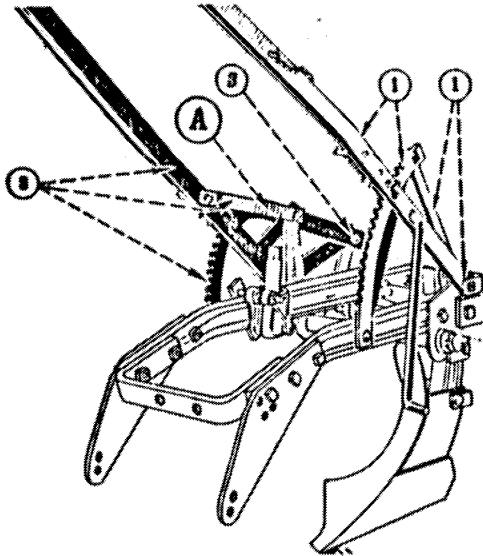


Illustration No. 4-2 and 3-furrow.

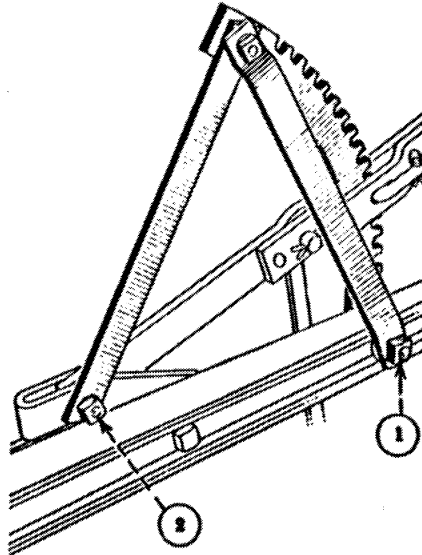


Illustration No. 4A

1. Remove bolt in end of land lever ratchet and ratchet bracket. Place ratchet through spring box in lever and bolt front end of ratchet and ratchet bracket to beam with ratchet on outside and bracket on inside of beam as shown. (See *Illustration No. 4A* also.)

2. Remove bolt from left hand axle bracket and bolt land lever and ratchet brace to axle bracket with end of lever between loop on bracket and brace on inside of bracket. (See *Illustration No. 4A* also.)

3. Remove bolts in furrow lever ratchet and furrow lever arm. Slide bolt through furrow lever arm and furrow axle arm. Swing furrow lever brace down in position and screw machine bolt into brace. Put on nut.

4. Bolt ratchet to land axle

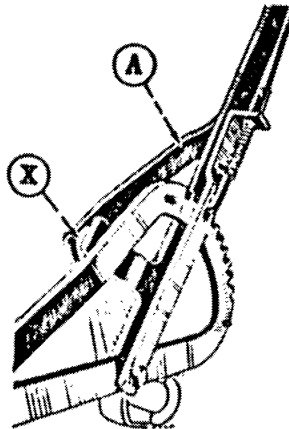


Illustration No. 4B

Important: The furrow lever and ratchet must be assembled on outside of axle arm as shown at "X," and furrow lever brace on inside of axle arm as shown at "A" in illustrations Nos. 4 and 4B.

Furrow lever ratchet should be assembled in front hole in axle arm for pneumatic tire wheels and in rear hole for steel tire wheels.

4-Furrow Plows

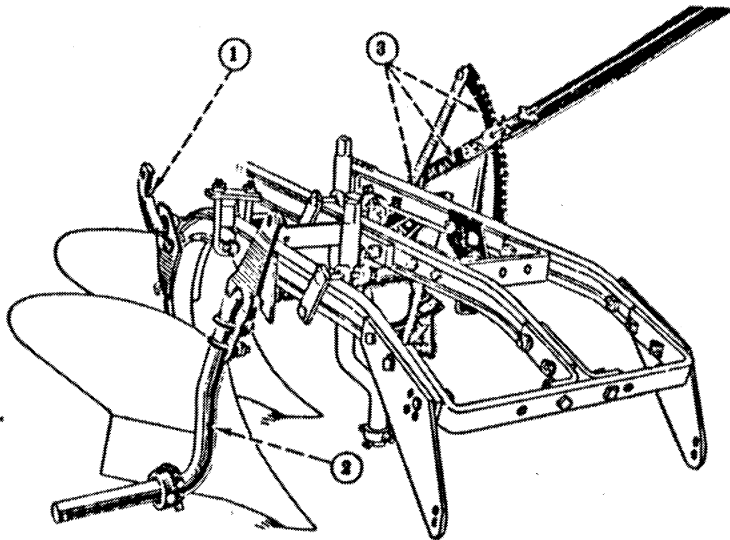


Illustration No. 5—4-furrow.

1. Remove bolts from land axle brackets and bolt brackets with land axle to beams.
2. Bolt furrow axle bearing plates to beams and put on furrow axle complete with spring arm in position.
3. Remove bolt in end of land lever ratchet, place ratchet through spring box and bolt front end to beam. Remove bolt from left hand axle bracket and bolt lever and ratchet brace in place.

4-Furrow Plows

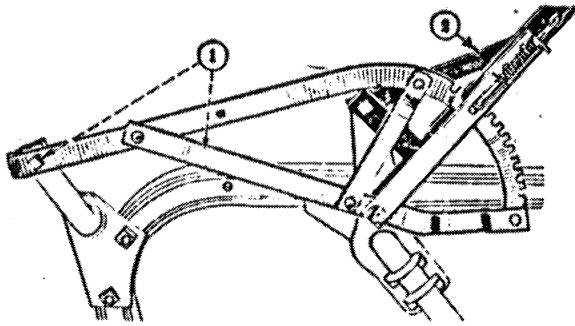


Illustration No. 6—4-furrow.

1. Remove bolts in furrow lever ratchet and furrow lever arm, and put on furrow lever and ratchet complete by bolting to land axle and furrow axle arm.
2. Put machine bolt through furrow lever arm and furrow axle lifting arm. Screw machine bolt through furrow lever brace and put on nut.

Important: Furrow lever and ratchet must be assembled on outside of axle arm as shown at "X," and furrow lever brace on inside of axle arm as shown at "A" in illustrations Nos. 4 and 4B.

Buy Now



Our support email:

ebooklibonline@outlook.com