

OPERATOR'S MANUAL

ROTARY TILLERS

RT 1170

RT 1270

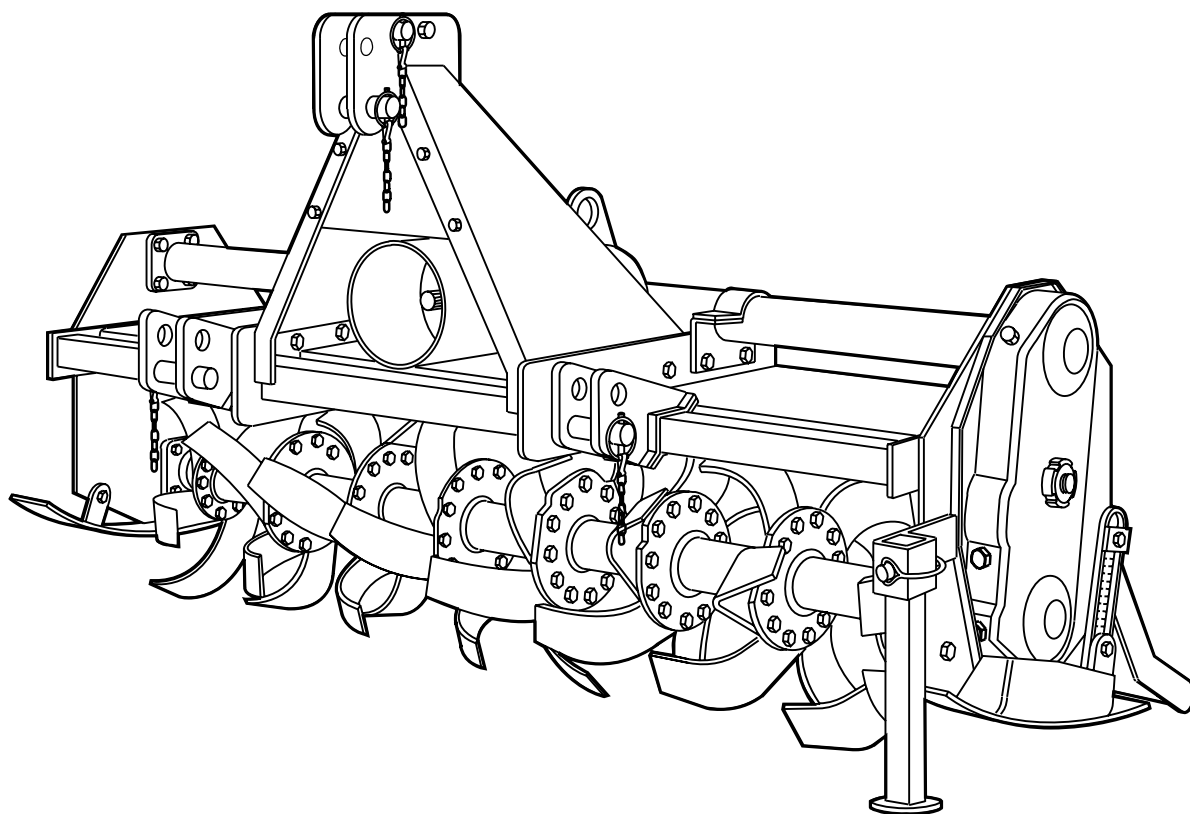
RT 1280

RT 1080 E

RT 1180

RT 1207

RT 1208



FRONTIER
EQUIPMENT

TABLE OF CONTENTS

Technical specification		During tilling	20
Technical specification	4	Replacement parts	20
Technical specification - Hitch	6		
Safety signs		Service Machine Safely	
Safety-Alert simbol	7	Practice safe maintenance	21
Identification machine	7	Wear appropriate clothing	21
Machine safety labels	7	Stay clear of rotating drivelines	21
Machine safety labels and positions		Service lubrication	
Machine safety labels and positions	8	Service lubrication	22
Preparing the vehicle		Every 8 work hours	22
Preparing the tractor	10	Every 50 work hours	22
Park vehicle safety	10	Every 400 work hours	22
Stay clear of rotating drivelines	10	Every 1000 work hours	22
Installing		Greasing and lubricant points	23
Installing tiller on tractor	10	Lubricants	23
PTO shaft	12	Screw tightening torques	23
PTO shaft with clutch	13	Service	
Quick Coupler (optional)	14	Chain stretcher	24
Park vehicle safety	14	Service intervals	24
Stay clear of rotating drivelines	14	Replacing tines	24
Removing		Tines	24
Removing tiller	15	Troubleshooting	
Removing tiller with Quick Coupler	15	Using troubleshooting chart	25
Operating		Storing machine	
Operate safely	16	Storing tiller	26
Wear appropriate clothing	17	Removing tiller from storage	26
Stay clear of rotating drivelines	17	Assembly / Spare parts	
Raising parking stand	17	RT 1170-1080 E-1270-1180-1280-1207-1208	27
Lowering parking stand	17	Lift hook assembly procedur	29
Levelling attachments (side-to-side)	17	Installing driveline on tiller	29
Levelling tiller (front-to-rear)	18	Spare parts	29
Adjusting skid shoes	18	Warranty	
Adjusting levelling board	18	Warranty	30
Change speed	19	Warranty for replacement parts	31
Tilling tips	20		

TO THE DEALER:

Assembly and proper installation of this product is the responsibility of the Frontier dealer. Read manual instruction and safety rules. Make sure all items on the Dealer's Pre-Delivery Check List in the Operator's Manual are completed before releasing equipment to the owner.

The dealer must complete the Warranty Registration, located on the Frontier website. **Warranty claims will be denied if the Warranty Registration has not been completed.**

TO THE OWNER:

Read this manual before operating your frontier equipment. The information presented will prepare you to do a better and a safer job. Keep this manual handy for ready reference. Require all operators to read this manual carefully and become acquainted with all the adjustment and operating procedures before attempting to operate. Replacement manuals can be obtained from your selling dealer.

The equipment you have purchased has been carefully engineered and manufactured to provide dependable and satisfactory use. Like all mechanical products, it will require cleaning and upkeep. Lubricate the unit as specified. Observe all safety information in this manual and safety decals on the equipment.

For service, your authorized Frontier dealer has trained mechanics, genuine Frontier service parts, and the necessary tools and equipment to handle all your needs.

Use only genuine Frontier service parts. Substitute parts will void the warranty and may not meet standards required for safe and satisfactory operation. Record the model number and serial number of your equipment in the spaces provided:

Model: _____ **Date of Purchase** _____
Serial Number: (see Safety Decal section for location) _____

Provide this information to your dealer to obtain correct repair parts.

Throughout this manual, the term **IMPORTANT** is used to indicate that failure to observe can cause damage to equipment. The terms **CAUTION**, **WARNING** and **DANGER** are used in conjunction with the Safety-Alert Symbol, (a triangle with an exclamation mark), to indicate the degree of hazard for items of personal safety.



This Safety-Alert Symbol indicates a hazard and means **ATTENTION! BECOME ALERT! YOUR SAFETY IS INVOLVED!**



Indicates an imminently hazardous situation that, if not avoided, will result in death or serious injury.



WARNING

Indicates a potentially hazardous situation that, if not avoided, could result in death or serious injury, and includes hazards that are exposed when guards are removed.



CAUTION

Indicates a potentially hazardous situation that, if not avoided, may result in minor or moderate injury.

IMPORTANT

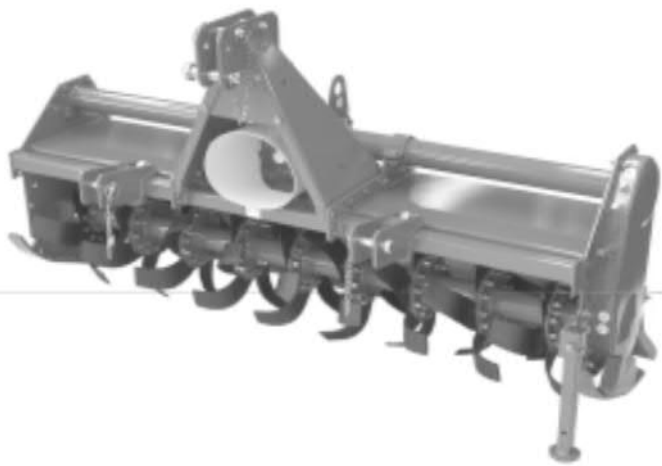
Indicates that a failure to observe can cause damage to equipment.

NOTE

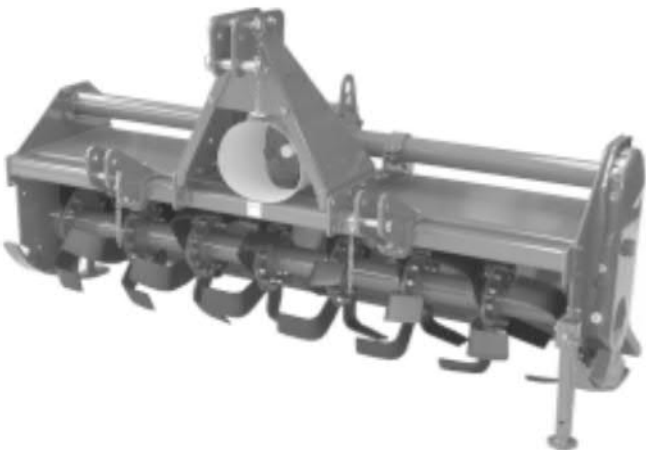
Indicates helpful information.

TECHNICAL SPECIFICATIONS

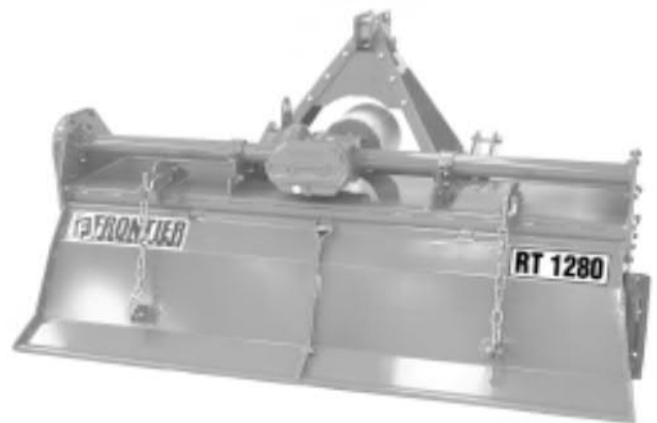
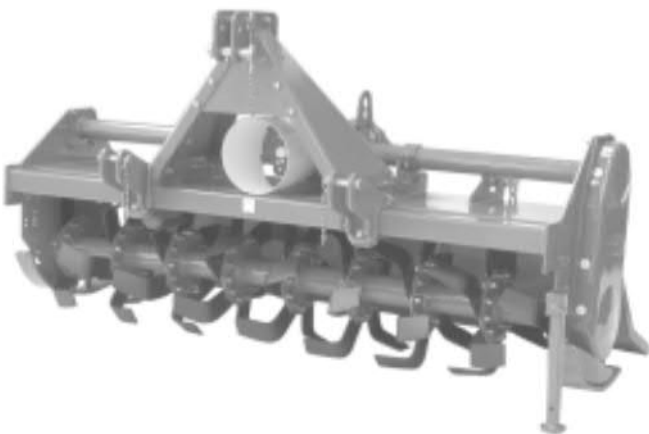
RT 1170 - 1080 E



RT 1270 - 1180



RT 1280 - 1207 - 1208



TECHNICAL SPECIFICATIONS

RT 1170 - 1080 E

<i>Model</i>	<i>Work/width inches</i>	<i>Tractor HP min</i>	<i>Tractor HP max</i>	<i>Weight lbs.</i>	<i>Side Drive</i>	<i>PTO shaft</i>	<i>Speeds gear box</i>	<i>Input speed</i>	<i>Hitch</i>	<i>Tines STD</i>	<i>Rotor blades</i>	<i>Rotor flanges</i>
RT 1170	73	45	60	761	Chain ASA 100	Slip Clutch	Single	540	Cat. "II" Quick coupler	"C"	6	9
RT 1080 E	81	50	60	810	Chain ASA 100	Slip Clutch	Single	540	Cat. "II" Quick coupler	"C"	6	10

RT 1270 - 1180

<i>Model</i>	<i>Work/width inches</i>	<i>Tractor HP min</i>	<i>Tractor HP max</i>	<i>Weight lbs.</i>	<i>Side Drive</i>	<i>PTO shaft</i>	<i>Speeds gear box</i>	<i>Input speed</i>	<i>Hitch</i>	<i>Tines STD</i>	<i>Rotor blades</i>	<i>Rotor flanges</i>
RT 1270	73	30-70	80	968	Gear	Slip Clutch	Single	540	Cat. "II" Quick coupler	"L"	6	7
RT 1180	83	30-70	80	1056	Gear	Slip Clutch	Single	540	Cat. "II" Quick coupler	"C"	6	8

RT 1280 - 1207 - 1208

<i>Model</i>	<i>Work/width inches</i>	<i>Tractor HP min</i>	<i>Tractor HP max</i>	<i>Weight lbs.</i>	<i>Side Drive</i>	<i>PTO shaft</i>	<i>Speeds gear box</i>	<i>Input speed</i>	<i>Hitch</i>	<i>Tines STD</i>	<i>Rotor blades</i>	<i>Rotor flanges</i>
RT 1280	83	30-70	80	1397	Gear	Slip Clutch	Multi	540	Cat. "II" Quick coupler	"L"	6	8
RT 1207	93	40-80	100	1496	Gear	Slip Clutch	Multi	540	Cat. "II" Quick coupler	"L"	6	9
RT 1208	103	40-80	100	1584	Gear	Slip Clutch	Multi	540	Cat. "II" Quick coupler	"L"	6	10

Thank you so much for reading.
Please click the “Buy Now!”
button below to download the
complete manual.



After you pay.

You can download the most
perfect and complete manual in
the world immediately.

Our support email:

ebooklibonline@outlook.com