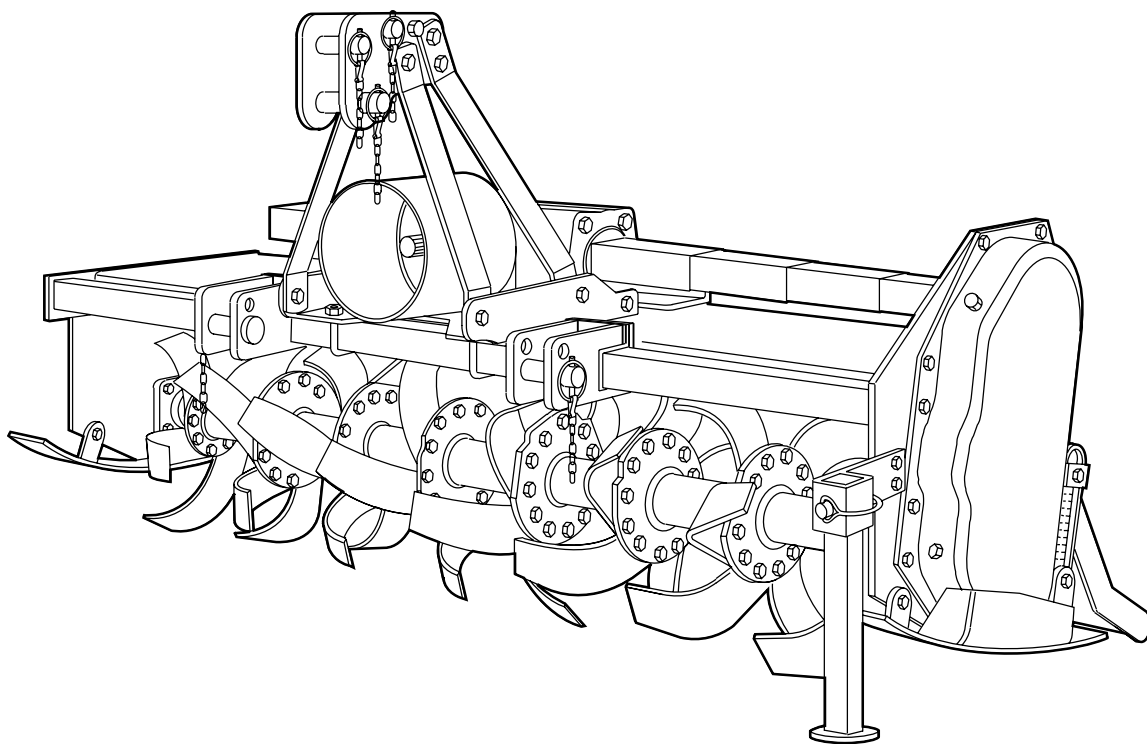


OPERATOR'S MANUAL

ROTARY TILLERS

RT 1060 E

RT 1070 E



FRONTIER.

Cod. F07010183 / Rev. 00 (2005-01)

TABLE OF CONTENTS

Technical specification		During tilling	18
Technical specification.....	4	Replacement parts	18
Technical specification - Hitch	5		
Safety signs		Service Machine Safely	
Safety-Alert symbol	6	Practice safe maintenance	19
Machine safety labels.....	7	Wear appropriate clothing	19
		Stay clear of rotating drivelines	19
Machine safety labels and positions		Service lubrication	
Machine safety labels and positions.....	8	Service lubrication.....	20
		Every 8 work hours.....	20
Preparing the vehicle		Every 50 work hours.....	20
Preparing the tractor	9	Every 400 work hours.....	20
Park vehicle safety.....	9	Greasing and lubricant points.....	20
Stay clear of rotating drivelines	9	Lubricants.....	20
		Service	
Installing		Chain stretcher	21
Installing tiller on tractor.....	9	Service intervals.....	21
PTO shaft	11	Bolts tightening torques.....	21
PTO shaft with shear pin	12	Replacing tines.....	21
Quick Coupler (optional).....	12	Tines.....	22
Park vehicle safely	12		
Stay clear of rotating drivelines	12	Troubleshooting	
		Using troubleshooting chart	23
Removing		Storing machine	
Removing tiller.....	13	Storing tiller	23
Removing tiller with Quick Coupler.....	13	Removing tiller from storage	23
Operating		Assembly / Spare parts	
Operate safely	14	RT 1060 E	24
Wear appropriate clothing	15	RT 1070 E	26
Stay clear of rotating driveline	15	Installing driveline on tiller	28
Raising parking stand.....	15	Spare parts.....	28
Lowering parking stand	15		
Leveling attachments (side-to-side).....	15		
Leveling tiller (front-to-rear)	16		
Adjusting skid shoes	16		
Adjusting levelling board.....	16		
Adjustable offset.....	17		
Tilling tips	18		

TO THE DEALER:

Assembly and proper installation of this product is the responsibility of the Frontier dealer. Read manual instruction and safety rules. Make sure all items on the Dealer's Pre-Delivery Check List in the Operator's Manual are completed before releasing equipment to the owner.

The dealer must complete the Warranty Registration, located on the Frontier website. **Warranty claims will be denied if the Warranty Registration has not been completed.**

TO THE OWNER:

Read this manual before operating your frontier equipment. The information presented will prepare you to do a better and a safer job. Keep this manual handy for ready reference. Require all operators to read this manual carefully and become acquainted with all the adjustment and operating procedures before attempting to operate. Replacement manuals can be obtained from your selling dealer.

The equipment you have purchased has been carefully engineered and manufactured to provide dependable and satisfactory use. Like all mechanical products, it will require cleaning and upkeep. Lubricate the unit as specified. Observe all safety information in this manual and safety decals on the equipment.

For service, your authorized Frontier dealer has trained mechanics, genuine Frontier service parts, and the necessary tools and equipment to handle all your needs.

Use only genuine Frontier service parts. Substitute parts will void the warranty and may not meet standards required for safe and satisfactory operation. Record the model number and serial number of your equipment in the spaces provided:

Model: _____

Date of Purchase

Serial Number: (see Safety Decal section for location)

Provide this information to your dealer to obtain correct repair parts.

Throughout this manual, the term **IMPORTANT** is used to indicate that failure to observe can cause damage to equipment. The terms **CAUTION**, **WARNING** and **DANGER** are used in conjunction with the Safety-Alert Symbol, (a triangle with an exclamation mark), to indicate the degree of hazard for items of personal safety.



This Safety-Alert Symbol indicates a hazard and means **ATTENTION! BECOME ALERT! YOUR SAFETY IS INVOLVED!**



Indicates an imminently hazardous situation that, if not avoided, will result in death or serious injury.



Indicates a potentially hazardous situation that, if not avoided, could result in death or serious injury, and includes hazards that are exposed when guards are removed.



Indicates a potentially hazardous situation that, if not avoided, may result in minor or moderate injury.

IMPORTANT

Indicates that a failure to observe can cause damage to equipment.

NOTE

Indicates helpful information.

TECHNICAL SPECIFICATIONS

RT 1060 E (Adjustable offset)



Model	Work/width inches	Tractor HP min	Tractor HP max	Weight lbs.	Side Drive	PTO shaft	Speeds gear box	Input speed	Hitch	Max offset	Tines STD	Rotor blades	Rotor flanges
RT 1060 E	57	15-30	40	480	Chain ASA 80	Shear Pin	Single	540	Cat. "I"-"II" Quick coupler	16.5"	"C"	4	7

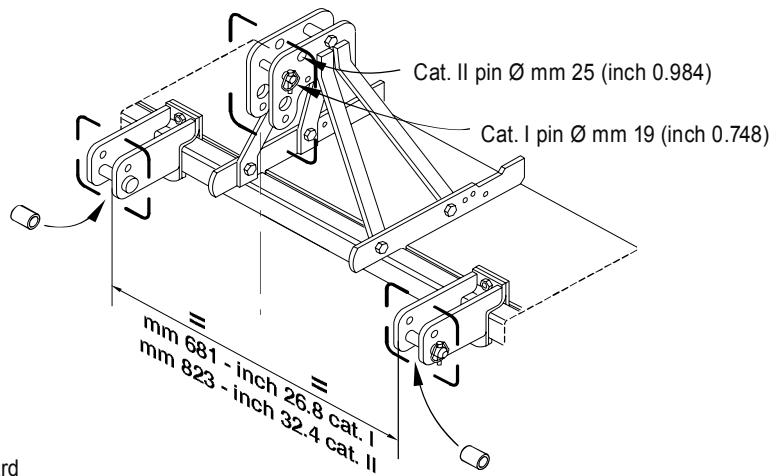
RT 1070 E



Model	Work/width inches	Tractor HP min	Tractor HP max	Weight lbs.	Side Drive	PTO shaft	Speeds gear box	Input speed	Hitch	Tines STD	Rotor blades	Rotor flanges
RT 1070 E	73	30-60	60	660	Chain ASA 100	Shear Pin	Single	540	Cat. "I"-"II" Quick coupler	"L"	4	9

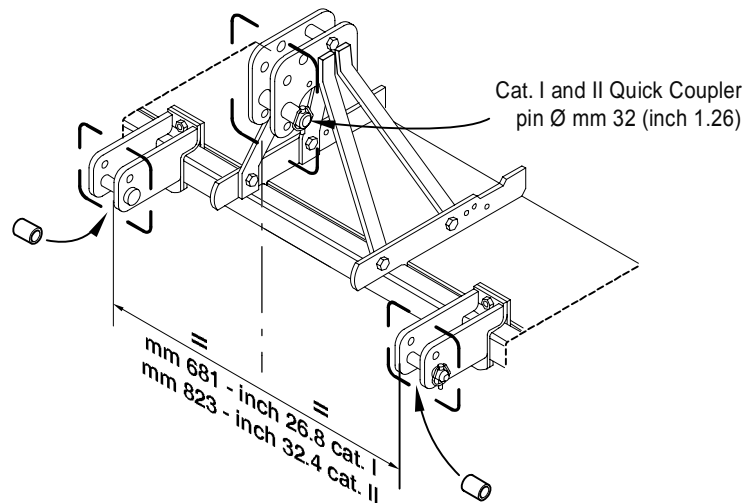
TECHNICAL SPECIFICATIONS - HITCH

RT 1060 E: Cat. «I» and «II» Standard



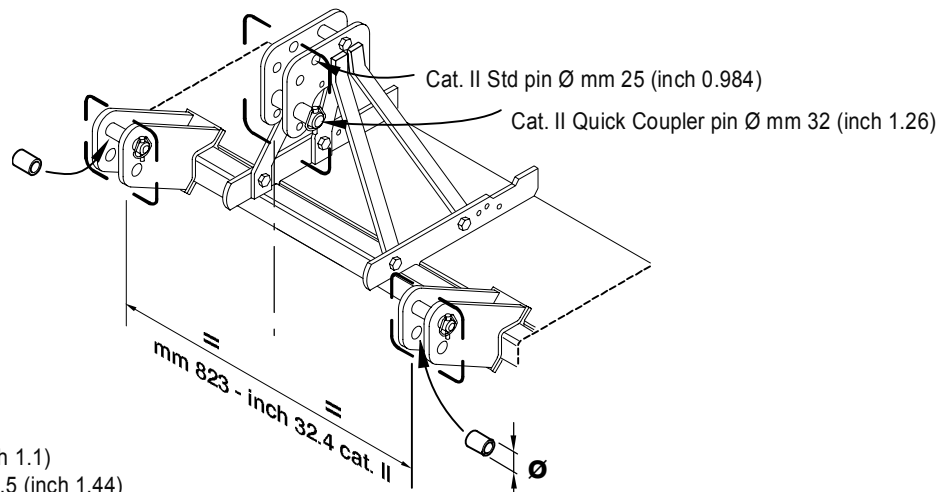
Without bushings: Cat. «I» Standard
 With bushings: Cat. «II» Standard

RT 1060 E: Cat. «I» and «II» Quick Coupler



With bushings

RT 1070 E: Cat. «II» Standard and Quick Coupler



Cat. «II» Standard bushings Ø = 28 (inch 1.1)
 Cat. «II» Quick coupler bushings Ø = 36,5 (inch 1.44)

Thank you so much for reading.
Please click the “Buy Now!”
button below to download the
complete manual.



After you pay.

You can download the most
perfect and complete manual in
the world immediately.

Our support email:

ebooklibonline@outlook.com