

**JOHN DEERE**  
**AG & TURF DIVISION**

**AutoConnect™ Mid-Mount Mower**  
**54D and 60D**

OMLVU26522 H2

**OPERATOR'S MANUAL**



**JOHN DEERE**

**Original Instruction**

All information, illustrations and specifications in this manual are based on the latest information at the time of publication. The right is reserved to make changes at any time without notice.

**COPYRIGHT© 2012**

**Deere & Co.**

**John Deere Worldwide Commercial and Consumer Equipment Division**

**All rights reserved**

**Previous Editions**

**COPYRIGHT©**

**Export Version**

**Printed in U.S.A.**

---

---

# INTRODUCTION

---

---

## Table of Contents

Introduction.....	1
Product Identification.....	1
Safety Labels.....	3
Safety.....	6
Assembly.....	8
Installing.....	11
Removing.....	13
Operating.....	14
Service.....	18
Troubleshooting.....	22
Specifications.....	23
Getting Quality Service.....	24
Declaration of Conformity.....	25

---

---

## Introduction

### Using Your Operator's Manual

Read this entire operator's manual, especially the safety information, before operating.

This manual is an important part of your machine. Keep all manuals in a convenient location so they can be accessed easily.

Use the safety and operating information in the attachment operator's manual, along with the machine operator's manual, to operate and service the attachment safely and correctly.

If your attachment manual has a section called Preparing the Machine, it means that you will have to do something to your tractor or vehicle before you can install the attachment. The Assembly and Installation sections of this manual provide information to assemble and install the attachment to your tractor or vehicle. Use the Service section to make any needed adjustments and routine service to your attachment.

If you have any questions or concerns with the assembly, installation, or operation of this attachment, see your local John Deere dealer or call the John Deere Customer Contact Center at 1-800-537-8233 for assistance.

Warranty information on this John Deere attachment can be found in the warranty that came with your John Deere tractor or vehicle.

### Machine Use

This machine is designed solely for use in customary lawn mowing operations. Use in any other way is considered as contrary to the intended use.

The manufacturer accepts no liability for damage or injury resulting from this misuse, and these risks must be borne solely by the user. Compliance with and strict adherence to the conditions of operation, service and repair as specified by the manufacturer also constitute essential elements for the intended use.

This machine should be operated, serviced and repaired only by persons familiar with all its particular characteristics and acquainted with the relevant safety rules (accident prevention). The accident prevention regulations, all other generally recognized regulations on safety and occupational medicine and the road traffic regulations must be observed at all times.

Setting fuel delivery beyond published factory specifications or otherwise overpowering will result in loss of warranty protection for this machine.

Any arbitrary modifications carried out on this machine will relieve the manufacturer of all liability for any resulting damage or injury.

---

---

## Product Identification

### Product Compatibility

The 54D and 60D AutoConnect mowers are designed for use with the 1 Family Compact Utility Tractors.

Before installing the mower, the following equipment must be installed on the machine. See your John Deere dealer.

- Mower Lift Kit (Mechanical or Hydraulic)
- Mower Drive Kit (Standard or AutoConnect™)

### Record Identification Numbers

AutoConnect™ Mid-Mount Mower

**54D Serial No. (030001 - )**

**60D Serial No. (030001 - )**

If you need to contact an Authorized Service Center for information on servicing, always provide the product model and serial number.

# PRODUCT IDENTIFICATION

---

---

You will need to locate the model and serial number for the mower and record the information in the spaces provided below.

DATE OF PURCHASE:

DEALER NAME:

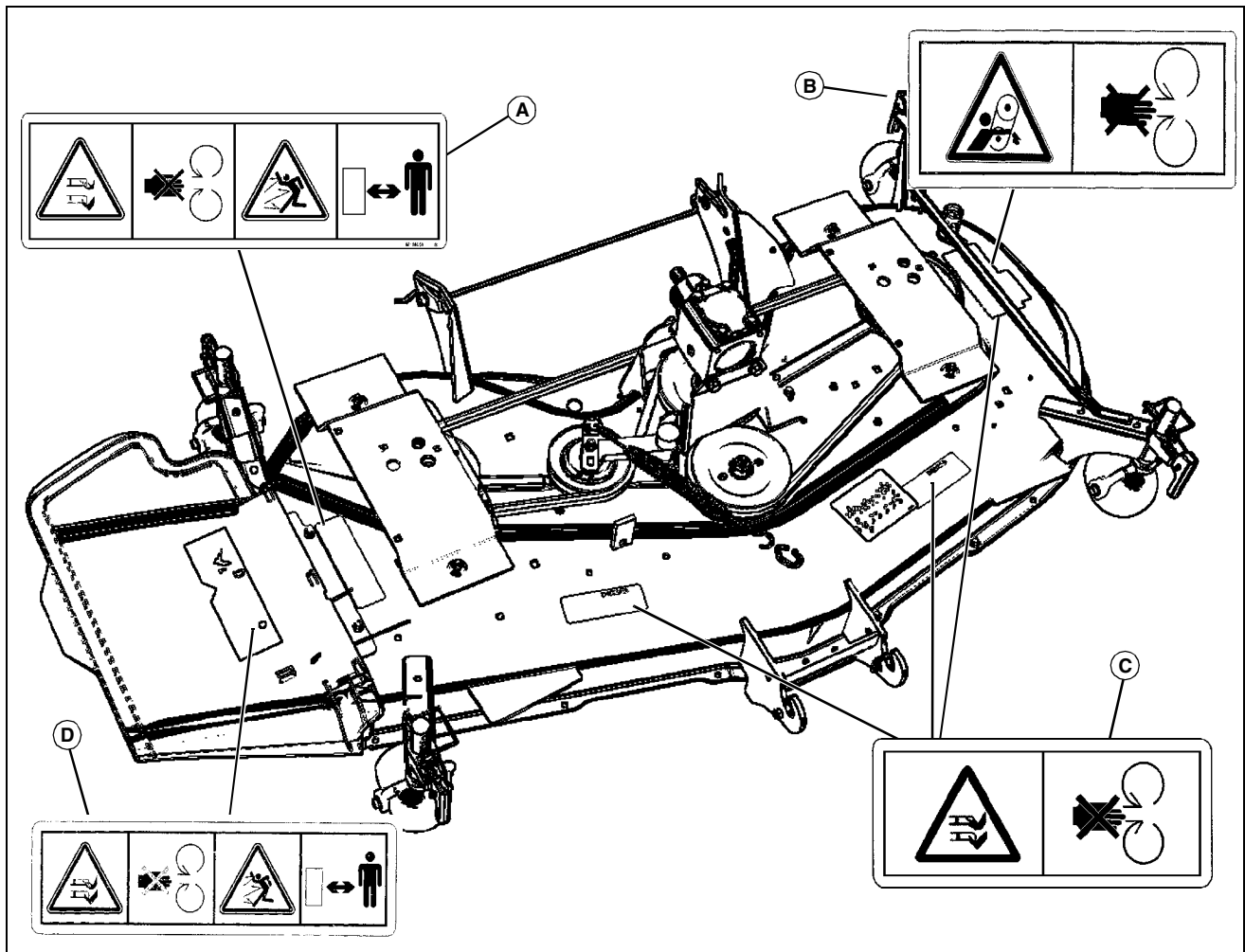
DEALER PHONE:

PRODUCT SERIAL NUMBER:

# SAFETY LABELS

## Safety Labels

### Safety Label Location - 54D AutoConnect Mower



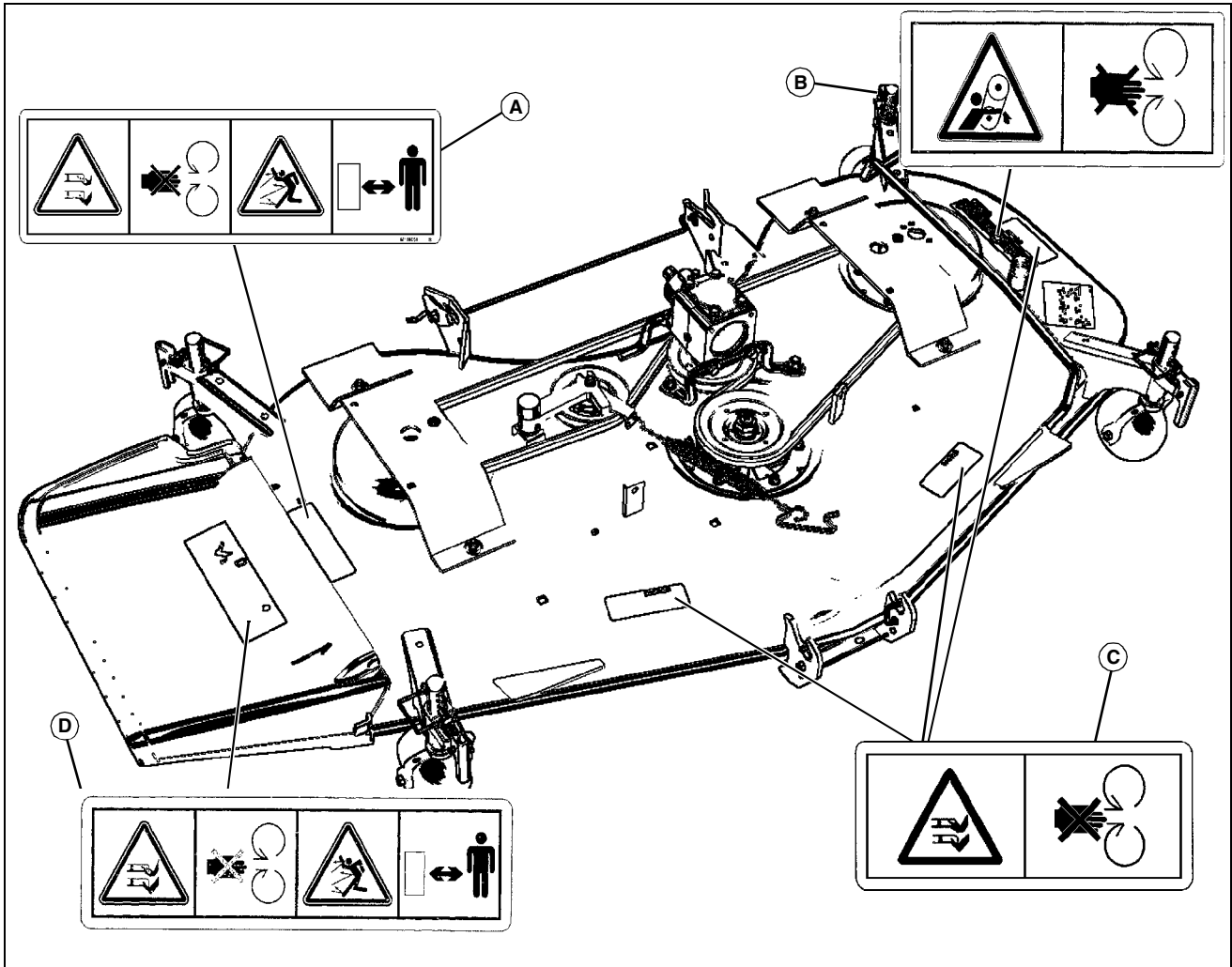
MX47182

Picture Note: Use label number listed in table below to locate complete text of safety label message following this illustration.

- A- Danger - M138631
- B- Danger - M136436
- C- Danger - M118041
- D- Danger - M118040

# SAFETY LABELS

## Safety Label Location - 60D AutoConnect Mower

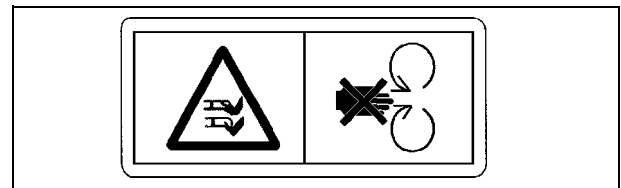


MX47181

**Picture Note:** Use label number listed in table below to locate complete text of safety label message following this illustration.

- A- Danger - M138631
- B- Danger - M136436
- C- Danger - M118041
- D- Danger - M118040

### Avoid Injury From Rotating Blades - M118041



M118041

- Do not put hands or feet under or into mower when engine is running.
- Do not operate mower without discharge chute or entire grass catcher in place.



### Pictorial Safety Signs

At several important places on this machine safety signs are affixed intended to signify potential danger. The hazard is identified by a pictorial in a warning triangle. An adjacent pictorial provides information how to avoid personal injury.

These safety signs, their placement on the machine and a brief explanatory text are shown in this Safety section.

There can be additional safety information contained on parts and components sourced from suppliers that is not reproduced in this operator's manual.

Thank you so much for reading.  
Please click the “Buy Now!”  
button below to download the  
complete manual.



After you pay.

You can download the most  
perfect and complete manual in  
the world immediately.

Our support email:

[ebooklibonline@outlook.com](mailto:ebooklibonline@outlook.com)