

JOHN DEERE
AG & TURF DIVISION

**54 and 60 Inch High Capacity
X700 Mower Deck**

OMM167537 G2

OPERATOR'S MANUAL



JOHN DEERE

Original Instruction

All information, illustrations and specifications in this manual are based on the latest information at the time of publication. The right is reserved to make changes at any time without notice.

**COPYRIGHT© 2012
Deere & Co.**

**John Deere Worldwide Commercial and
Consumer Equipment Division**

**All rights reserved
Previous Editions
COPYRIGHT©**

INTRODUCTION

Table of Contents

Introduction.....	1
Product Identification.....	1
Safety Labels.....	3
Safety.....	6
Assembly.....	8
Installing.....	10
Removing and Storing.....	15
Operating.....	17
Service.....	22
Troubleshooting.....	28
Specifications.....	28
Declaration of Conformity.....	30
Declaration of Conformity.....	32
Getting Quality Service.....	33

Introduction

Using Your Operator's Manual

Read this entire operator's manual, especially the safety information, before operating.

This manual is an important part of your machine. Keep all manuals in a convenient location so they can be accessed easily.

Use the safety and operating information in the attachment operator's manual, along with the machine operator's manual, to operate and service the attachment safely and correctly.

If your attachment manual has a section called Preparing the Machine, it means that you will have to do something to your tractor or vehicle before you can install the attachment. The Assembly and Installation sections of this manual provide information to assemble and install the attachment to your tractor or vehicle. Use the Service section to make any needed adjustments and routine service to your attachment.

If you have any questions or concerns with the assembly, installation, or operation of this attachment, see your local John Deere dealer or call the John Deere Customer Contact Center at 1-800-537-8233 for assistance.

Warranty information on this John Deere attachment can be found in the warranty that came with your John Deere tractor or vehicle.

Product Identification

Product Compatibility

These mower decks are compatible with X700 Series tractors.

Record Identification Numbers

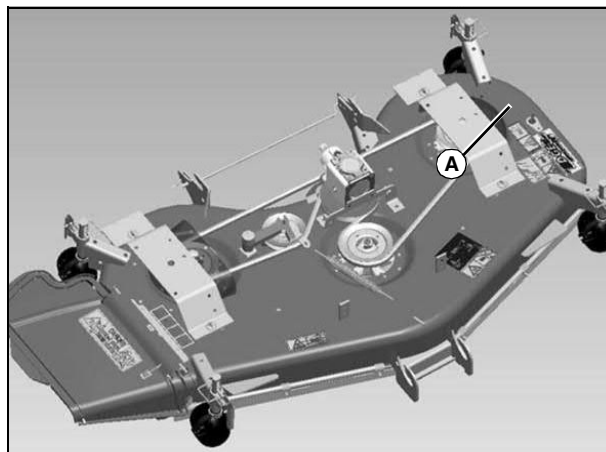
Mower

54HC Serial No. (010001 -)

60HC Serial No. (010001 -)

If you need to contact an Authorized Service Center for information on servicing, always provide the product model and serial number.

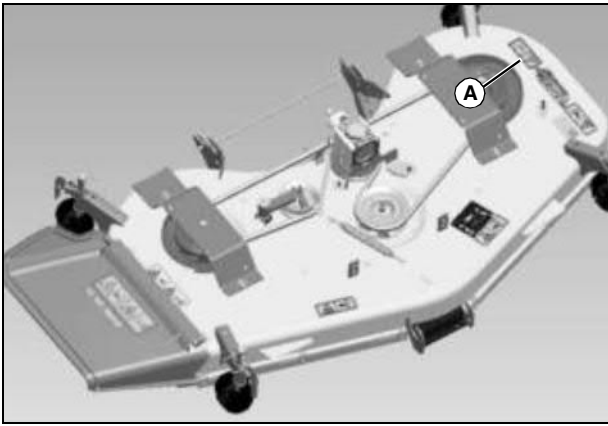
You will need to locate the model and serial number for the mower and record the information in the spaces provided below.



MX51926

Picture Note: 54HC

PRODUCT IDENTIFICATION



MX51925

Picture Note: 60HC

DATE OF PURCHASE:

DEALER NAME:

DEALER PHONE:

PRODUCT SERIAL NUMBER (A):

SAFETY LABELS

Safety Labels



Pictorial Safety Signs

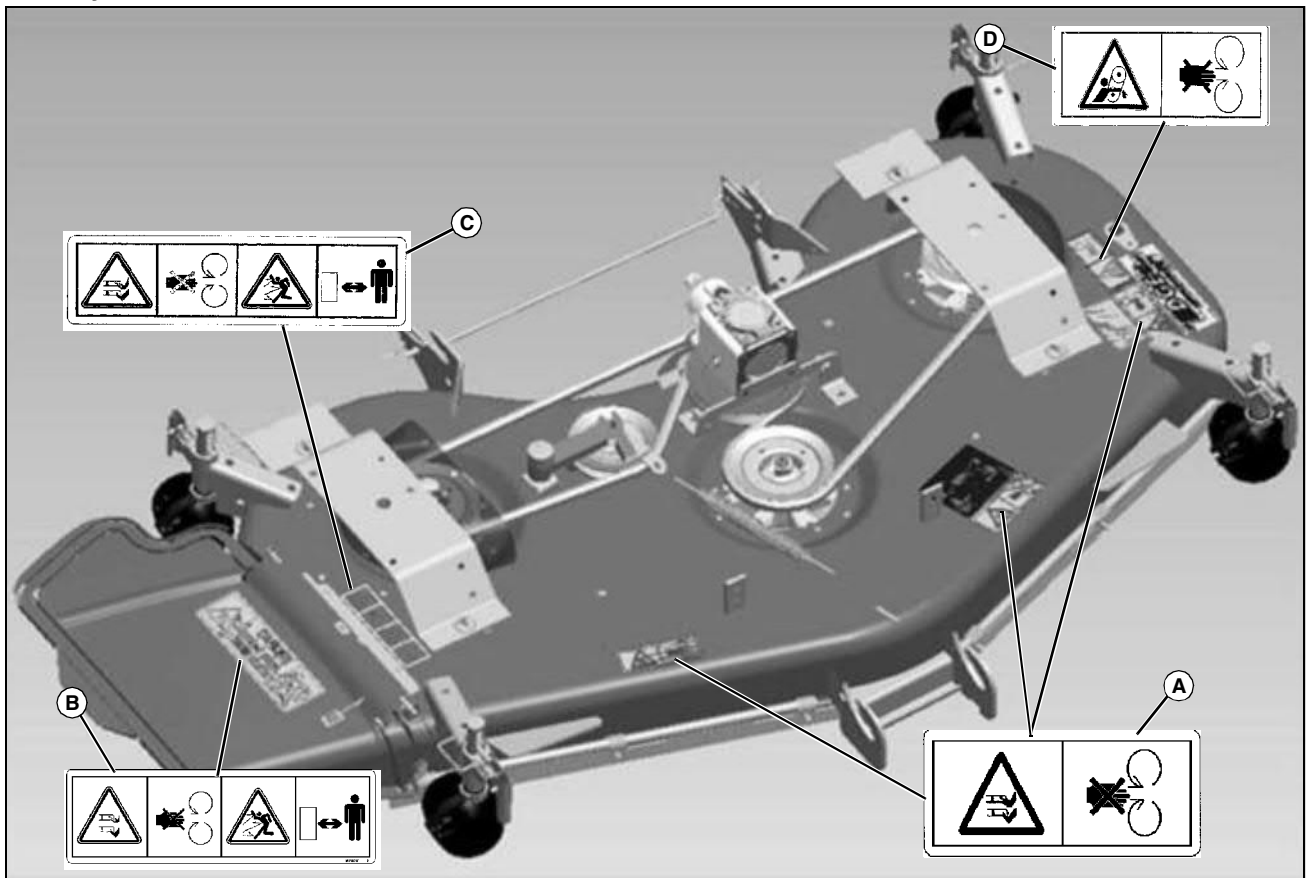
At several important places on this machine safety signs are affixed intended to signify potential danger. The hazard is identified by a pictorial in a warning triangle. An adjacent pictorial provides information how to avoid personal injury.

These safety signs, their placement on the machine and a brief explanatory text are shown in this Safety section.

There can be additional safety information contained on parts and components sourced from suppliers that is not reproduced in this operator's manual.

SAFETY LABELS

54HC Safety Label Location



M138631, M118040, M118041, M136436, MX51926

Picture Note: Use label number listed in table below to locate complete text of safety label message following this illustration.

A- Avoid Injury From Rotating Blades - M118041

B- Safety Label - M118040

C- Avoid Injury From Rotating Blades and Thrown Objects - M138631

D- Avoid Injury From Getting Caught in Belt - M136436

Thank you so much for reading.
Please click the “Buy Now!”
button below to download the
complete manual.



After you pay.

You can download the most
perfect and complete manual in
the world immediately.

Our support email:

ebooklibonline@outlook.com