

JOHN DEERE
WORLDWIDE COMMERCIAL & CONSUMER
EQUIPMENT DIVISION

Top Dresser
TD100

OMTCU30141 D1

OPERATOR'S MANUAL



JOHN DEERE

Original Instruction

All information, illustrations and specifications in this manual are based on the latest information at the time of publication. The right is reserved to make changes at any time without notice.

COPYRIGHT© 2011
Deere & Co.

John Deere Worldwide Commercial and Consumer Equipment Division

All rights reserved
Previous Editions
COPYRIGHT©

North American Version
Litho in U.S.A.

Introduction

Table of Contents

Introduction.....	1
Product Identification.....	1
Safety Labels.....	3
Safety Labels.....	4
Safety.....	5
Preparing Vehicle.....	6
Assembly.....	7
Installing.....	9
Removing and Storing.....	11
Operating.....	15
Service Intervals.....	16
Service.....	16
Troubleshooting.....	19
Specifications.....	20
Getting Quality Service.....	20

Introduction

Using Your Operator's Manual

Read this entire operator's manual, especially the safety information, before operating.

This manual is an important part of your machine. Keep all manuals in a convenient location so they can be accessed easily.

Use the safety and operating information in the attachment operator's manual, along with the machine operator's manual, to operate and service the attachment safely and correctly.

If your attachment manual has a section called Preparing the Machine, it means that you will have to do something to your tractor or vehicle before you can install the attachment. The Assembly and Installation sections of this manual provide information to assemble and install the attachment to your tractor or vehicle. Use the Service section to make any needed adjustments and routine service to your attachment.

If you have any questions or concerns with the assembly, installation, or operation of this attachment, see your local John Deere dealer or call the John Deere Customer Contact Center at 1-800-537-8233 for assistance.

Warranty information on this John Deere attachment can be found in the warranty that came with your John Deere tractor or vehicle.

Product Identification

Product Compatibility

The TD100 Top Dresser Attachment Attachment is compatible with the ProGator™ utility vehicles.

Record Identification Numbers

Top Dresser

TD100 Serial No. (010001-)

If you need to contact an Authorized Service Center for information on servicing, always provide the product model and serial number.

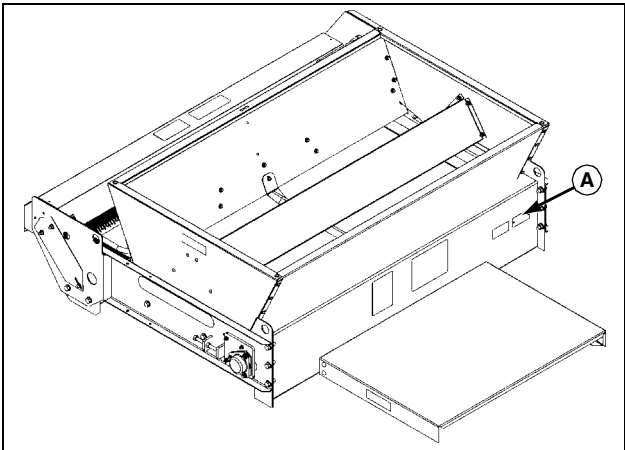
You will need to locate the model and serial number for the machine and for the engine of your machine and record the information in the spaces provided below.

DATE OF PURCHASE:

DEALER NAME:

DEALER PHONE:

Product Identification

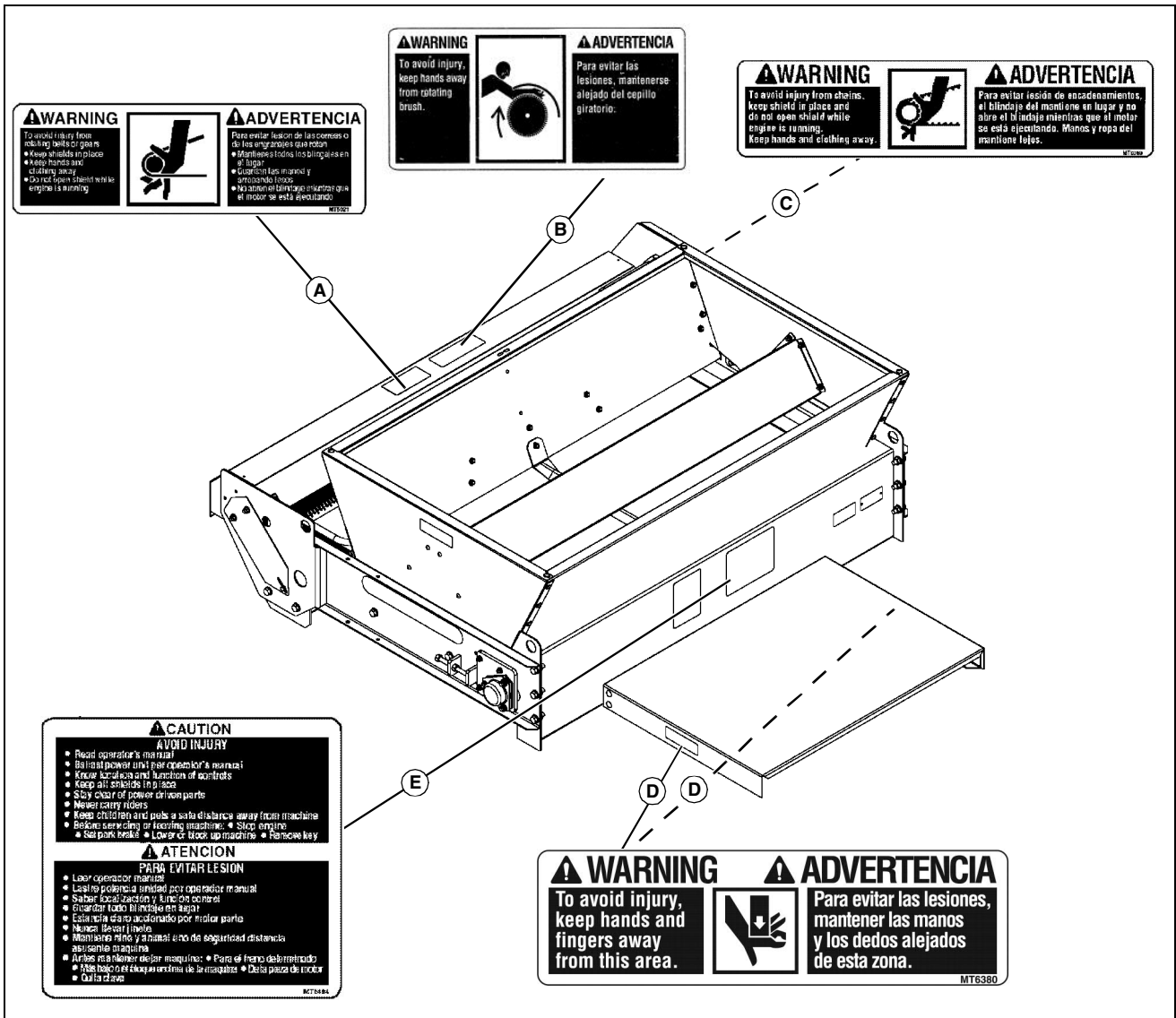


MX3670

SERIAL NUMBER (A):

Safety Labels

Safety Labels



MX3670

Picture Note: Use label number listed in table below to locate complete text of safety label message following this illustration.

- A- WARNING - MT5021
- B- WARNING - TCU51354
- C- WARNING - MT6069
- D- WARNING - MT6380
- E- CAUTION - MT6484

Safety Labels

Safety Labels



Understanding The Machine Safety Labels

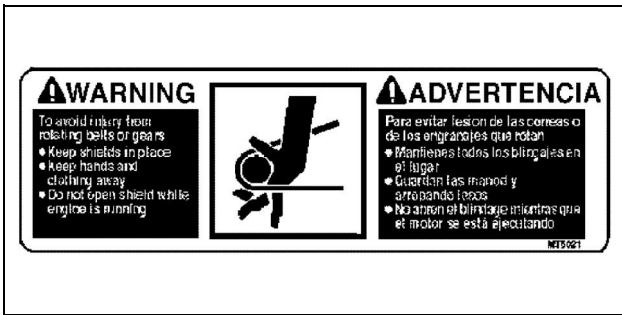
The machine safety labels shown in this section are placed in important areas on your machine to draw attention to potential safety hazards.

On your machine safety labels, the words DANGER, WARNING, and CAUTION are used with this safety-alert symbol. DANGER identifies the most serious hazards.

The operator's manual also explains any potential safety hazards whenever necessary in special safety messages that are identified with the word, CAUTION, and the safety-alert symbol.

There can be additional safety information contained on parts and components sourced from suppliers that is not reproduced in this operator's manual.

WARNING MT5021



MT5021

To avoid injury from rotating belts or gears

- Keep shields in place
- Keep hands and clothing away
- Do not open shield while engine is running

WARNING TCU51354



TCU51354

To avoid injury, keep hands away from rotating brush.

WARNING MT6069



MT6069

To avoid injury from chains, keep shield in place and do not open shield while engine is running. Keep hands and clothing away.

WARNING MT6380



MT6380

To avoid injury, keep hands away from rotating brush.

CAUTION MT6484



MT6484

AVOID INJURY

- Read operator's manual
- Ballast power unit per operator's manual
- Know location and function of controls
- Keep all shields in place
- Stay clear of power driven parts
- Never carry riders
- Keep children and pets a safe distance away from machine
- Before servicing or leaving machine:

Thank you so much for reading.
Please click the “Buy Now!”
button below to download the
complete manual.



After you pay.

You can download the most
perfect and complete manual in
the world immediately.

Our support email:

ebooklibonline@outlook.com