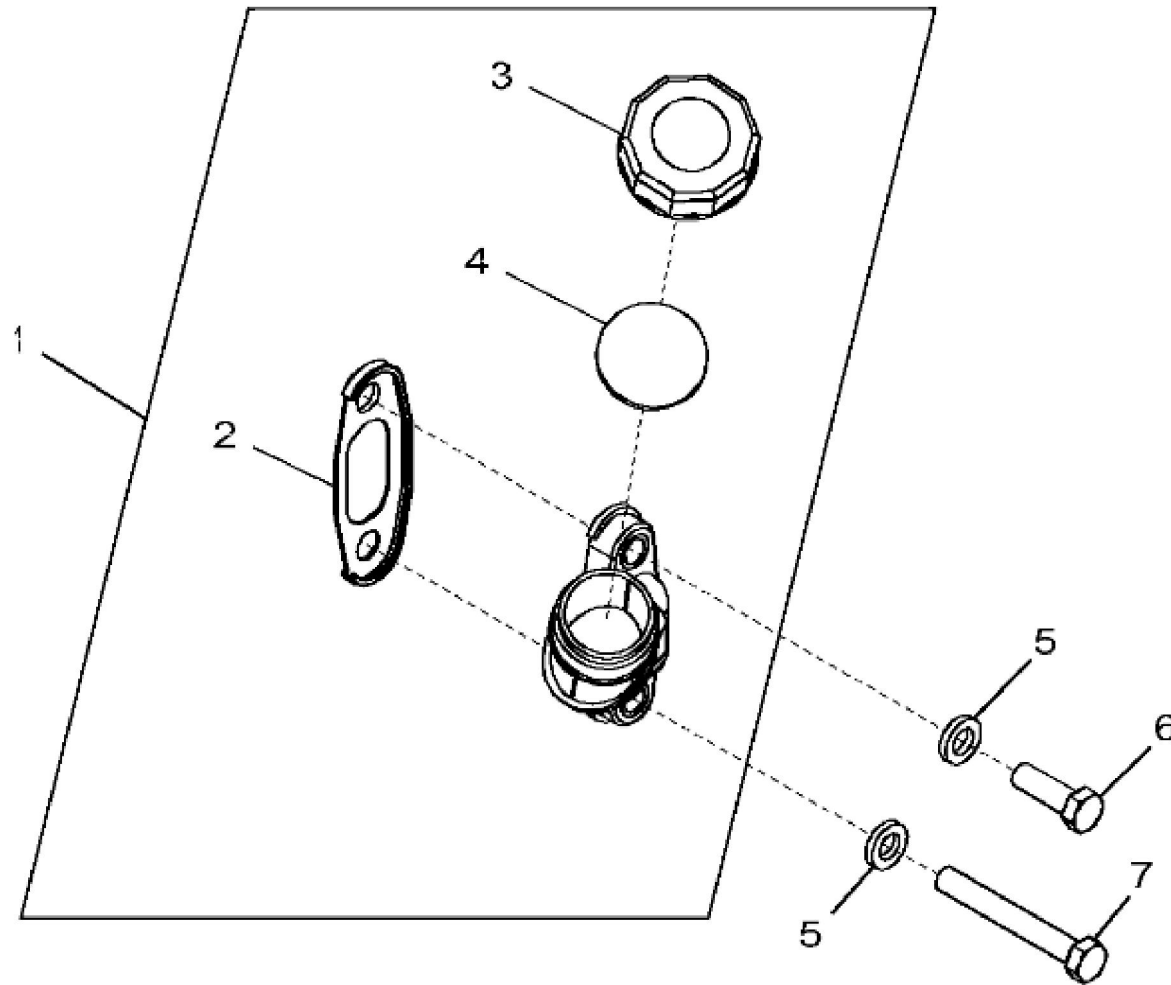


3029TPY24-RE531158 > ST614040 - 1125 ROCKER ARM COVER

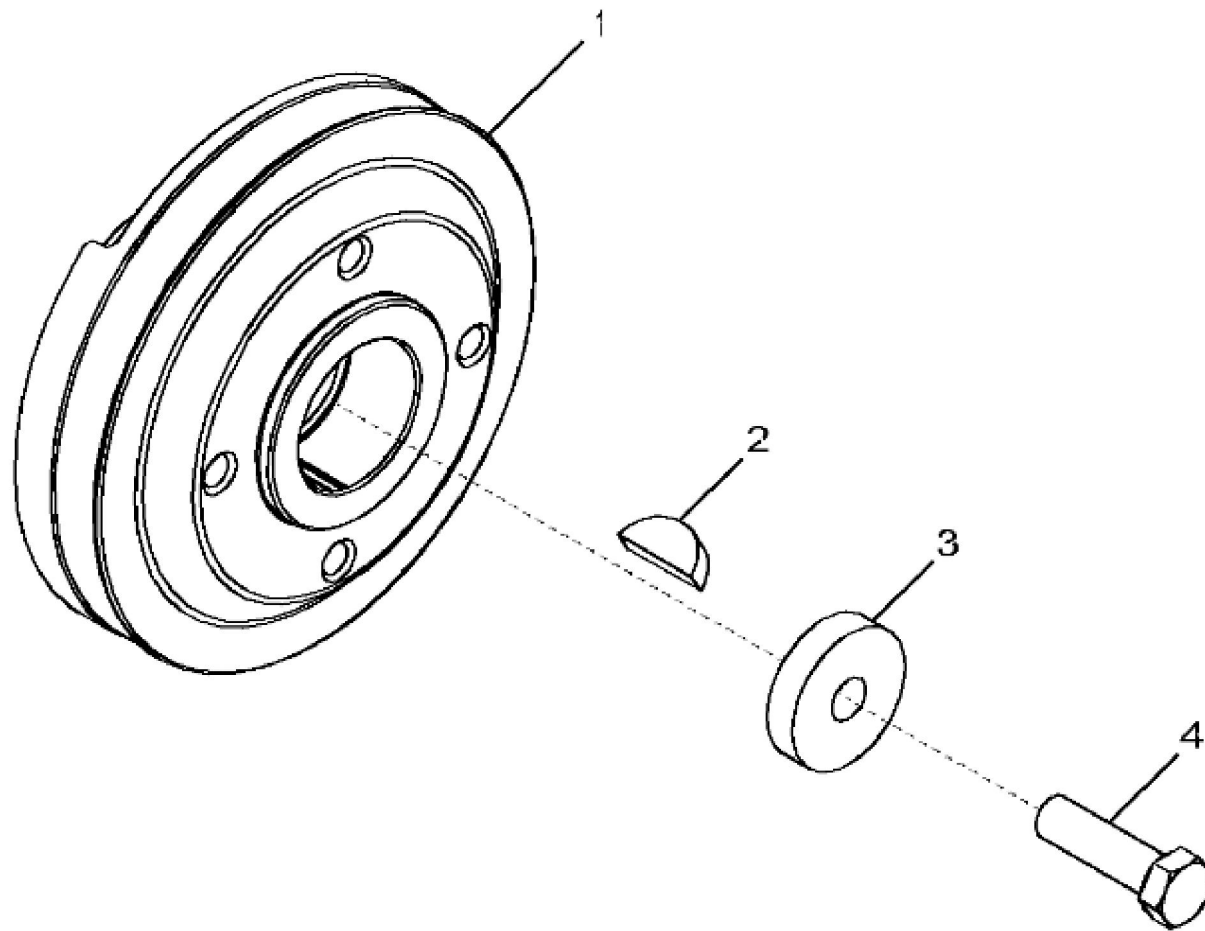
KEY	PART NO.	PART NAME	QTY	REMARKS	
1	RE44202	VALVE COVER	1		
2	RE32140	SCREW WITH WASHER	6		
3	R106796	GASKET	1		



1206_RE49388_PCD

3029TPY24-RE531158 > ST614091 - 1206 OIL FILLER NECK

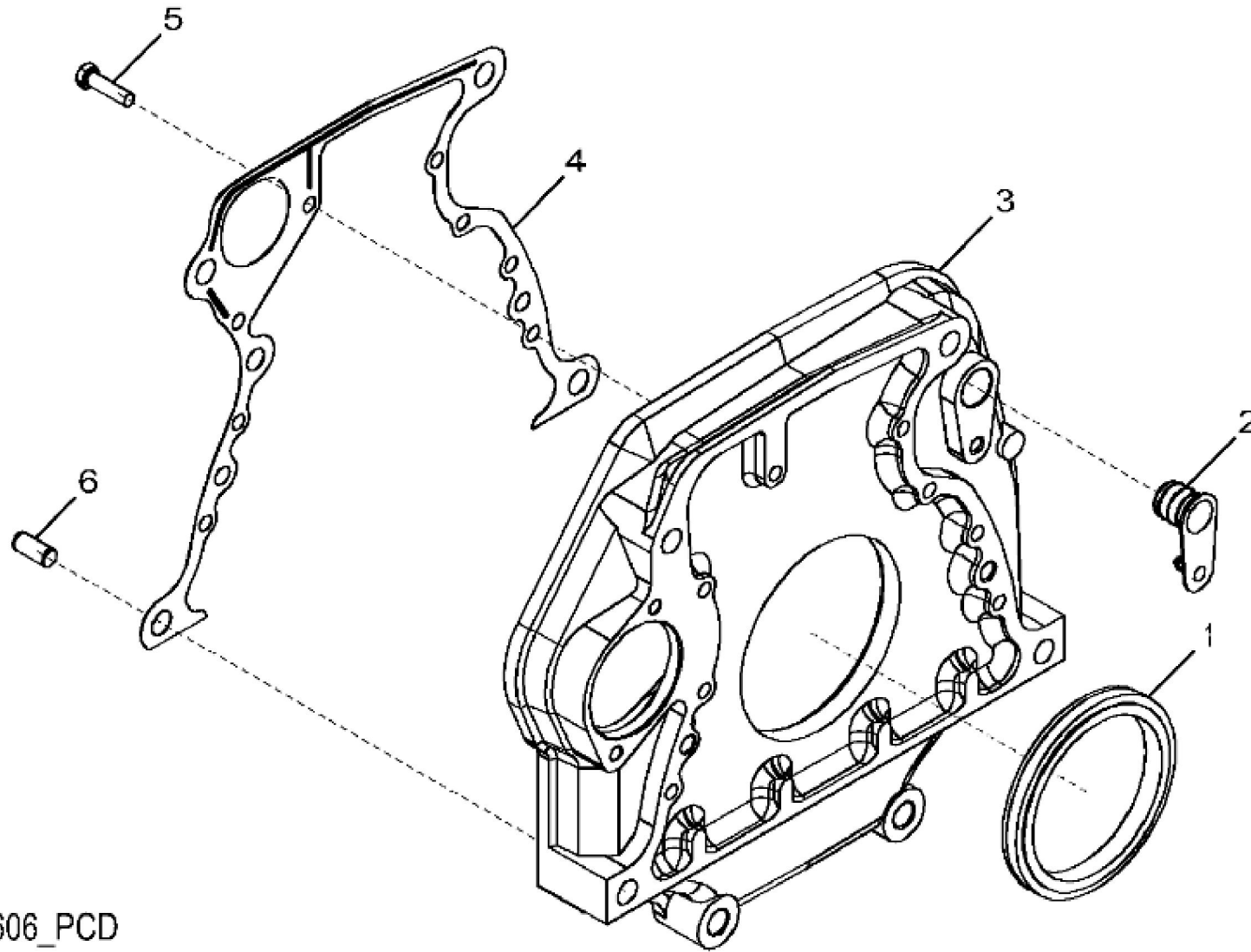
KEY	PART NO.	PART NAME	QTY	REMARKS	
1	RE48735	FILLER NECK	1		
2	R87259	GASKET	1		
3	R90788	PLUG	1		
4	T20328	GASKET	1		
5	24M7106	WASHER	2	10 X 18 X 2.500 mm	
6	19H1139	CAP SCREW	1	3/8" X 1-1/8"	
7	19H1944	CAP SCREW	1	3/8" X 2-3/4"	



1308_RE48186_PCD

3029TPY24-RE531158 > ST465165 - 1308 CRANKSHAFT PULLEY

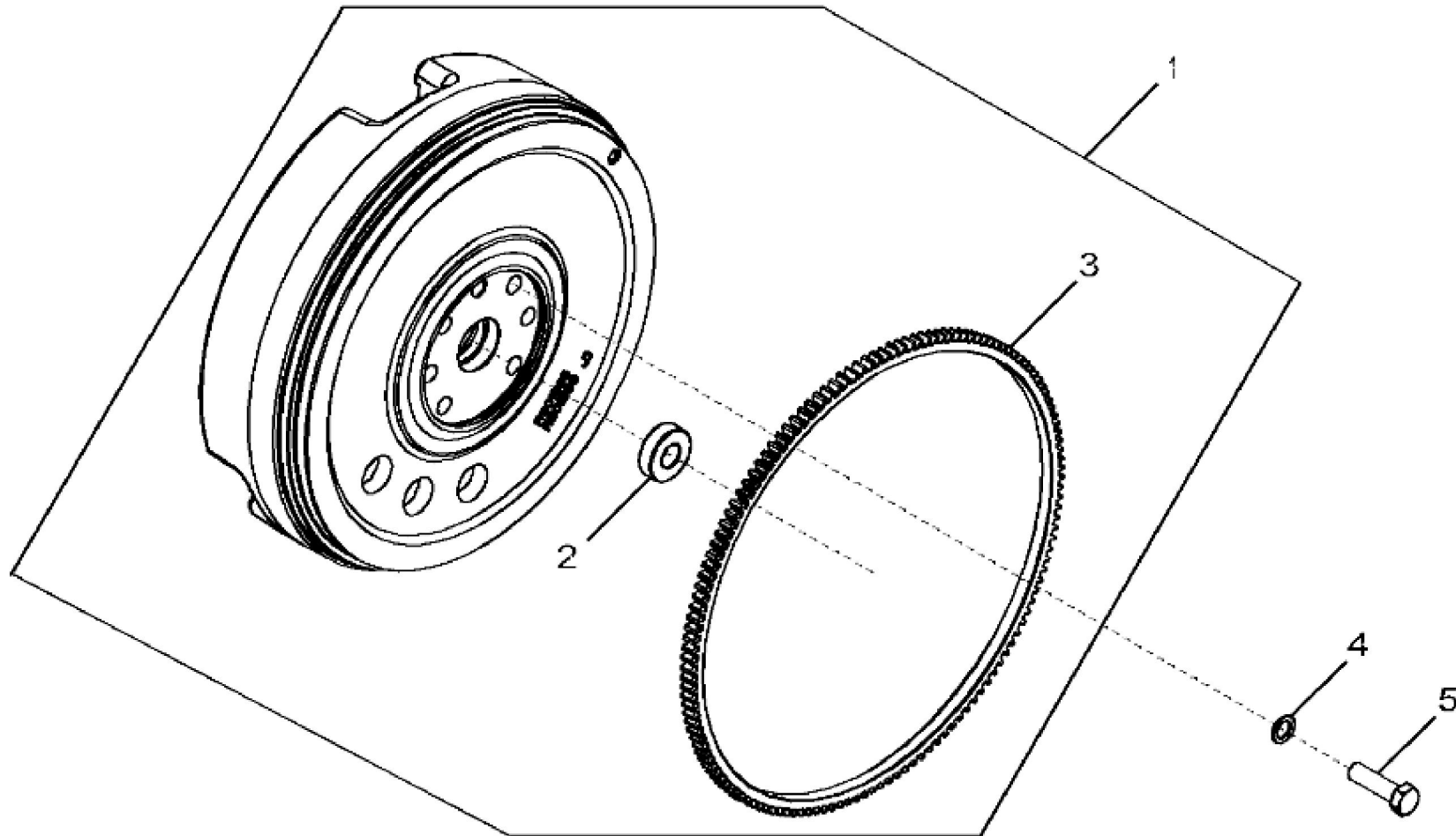
KEY	PART NO.	PART NAME	QTY	REMARKS	
1	R501223	PULLEY	1		
2	26H27	SHAFT KEY	1	5/16" X 1-1/8"	
3	R109086	SPACER	1		
4	19H2473	CAP SCREW	1	1/2" X 1-3/4"	



1467_RE527606_PCD

3029TPY24-RE531158 > ST614045 - 1467 FLYWHEEL HOUSING

KEY	PART NO.	PART NAME	QTY	REMARKS	
1	RE35885	SEAL	1		
2	R131765	PLUG	1		
3	R120751	HOUSING	1		
4	R97351	GASKET	1		
5	19H3219	CAP SCREW	8	3/8" X 1-3/8"	
6	R48685	DOWEL PIN	2		



1577_RE506175_PCD

Thank you so much for reading.
Please click the “Buy Now!”
button below to download the
complete manual.



After you pay.

You can download the most
perfect and complete manual in
the world immediately.

Our support email:

ebooklibonline@outlook.com