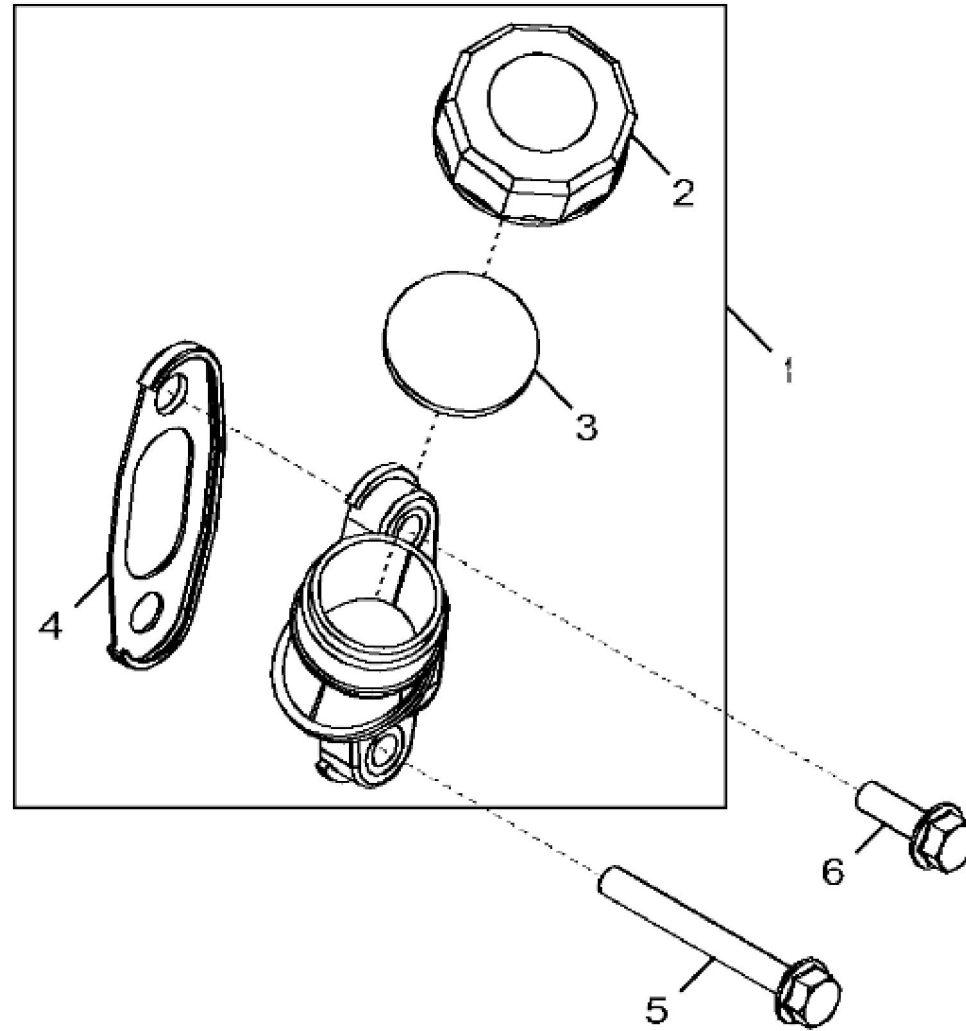


John Deere > Turf And Utility > TRACTOR > 5075E - TRACTOR > 5075E Tractor (IT4)(9X3 TSS Transmission W/ Cab)(12X12 PR Transmission W/ Cab and OOS) (For Europe, Australia, New Zealand, JDLA, Sub-Saharan Africa and Mexico) > 20 ENGINE 3029HPY40-DZ100016 > ST757957 - 11AA ROCKER ARM COVER ( - XXXXXX)

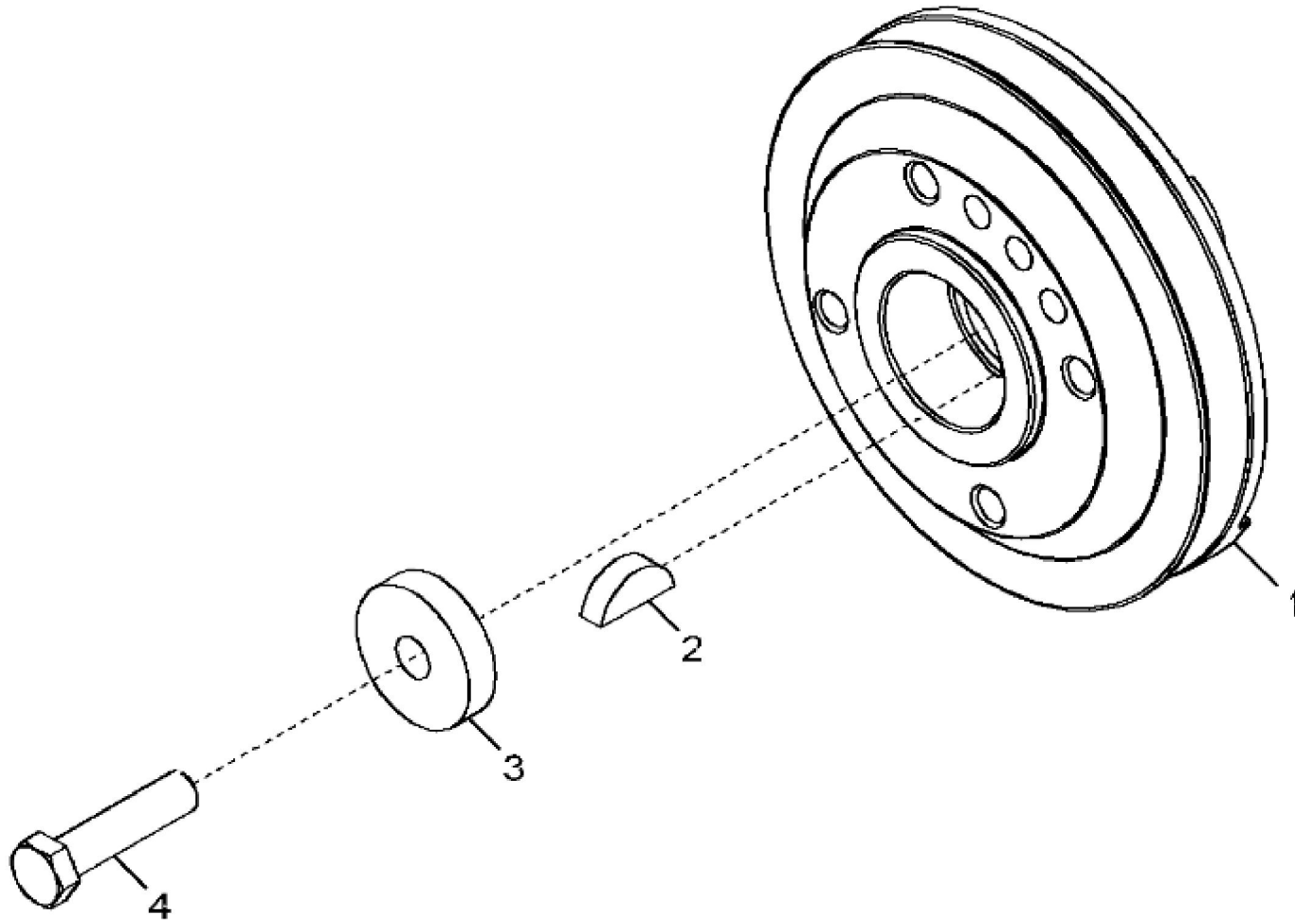
KEY	PART NO.	PART NAME	QTY	REMARKS	
1	RE515827	VALVE COVER	1		
2	19M7862	SCREW	6	M6 X 20	
3	R106796	GASKET	1		



1254\_RE549361\_PCD

John Deere > Turf And Utility > TRACTOR > 5075E - TRACTOR > 5075E Tractor (IT4)(9X3 TSS Transmission W/ Cab)(12X12 PR Transmission W/ Cab and OOS) (For Europe, Australia, New Zealand, JDLA, Sub-Saharan Africa and Mexico) > 20 ENGINE 3029HPY40-DZ100016 > ST700744 - 1254 OIL FILLER NECK

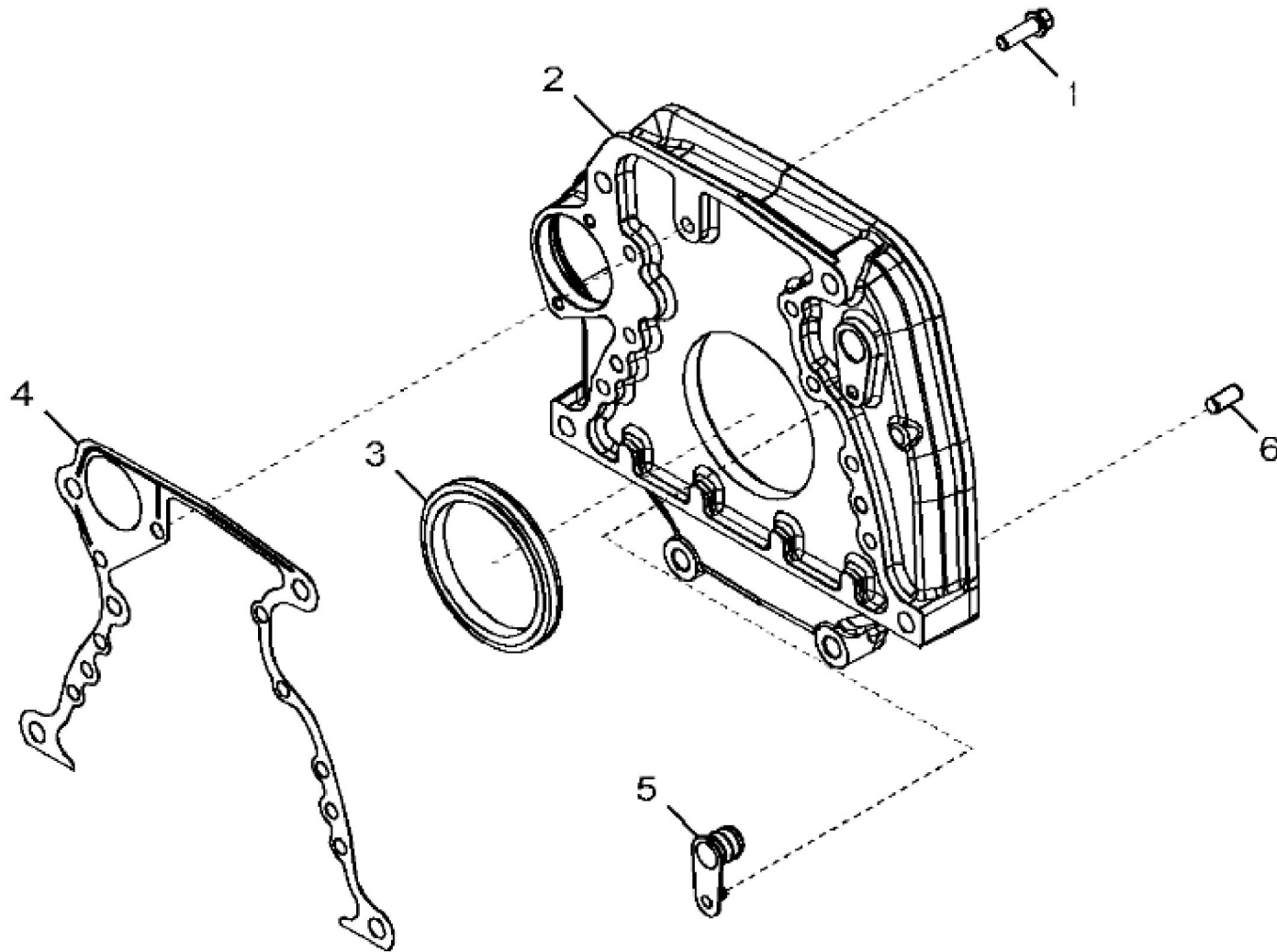
KEY	PART NO.	PART NAME	QTY	REMARKS	
1	RE549496	FILLER NECK	1		
2	R90788	PLUG	1		
3	T20328	GASKET	1		
4	R87259	GASKET	1		
5	19M7803	SCREW	1	M8 X 70	
6	19M7867	SCREW	1	M8 X 25	



1350\_RE551648\_PCD

John Deere > Turf And Utility > TRACTOR > 5075E - TRACTOR > 5075E Tractor (IT4)(9X3 TSS Transmission W/ Cab)(12X12 PR Transmission W/ Cab and OOS) (For Europe, Australia, New Zealand, JDLA, Sub-Saharan Africa and Mexico) > 20 ENGINE 3029HPY40-DZ100016 > ST756041 - 1350 CRANKSHAFT PULLEY

KEY	PART NO.	PART NAME	QTY	REMARKS	
1	R538838	PULLEY	1	MARKED R539503	
2	26H27	SHAFT KEY	1	5/16" X 1-1/8"	
3	R109086	SPACER	1	SUB FOR CD16045	
4	R537016	CAP SCREW	1		

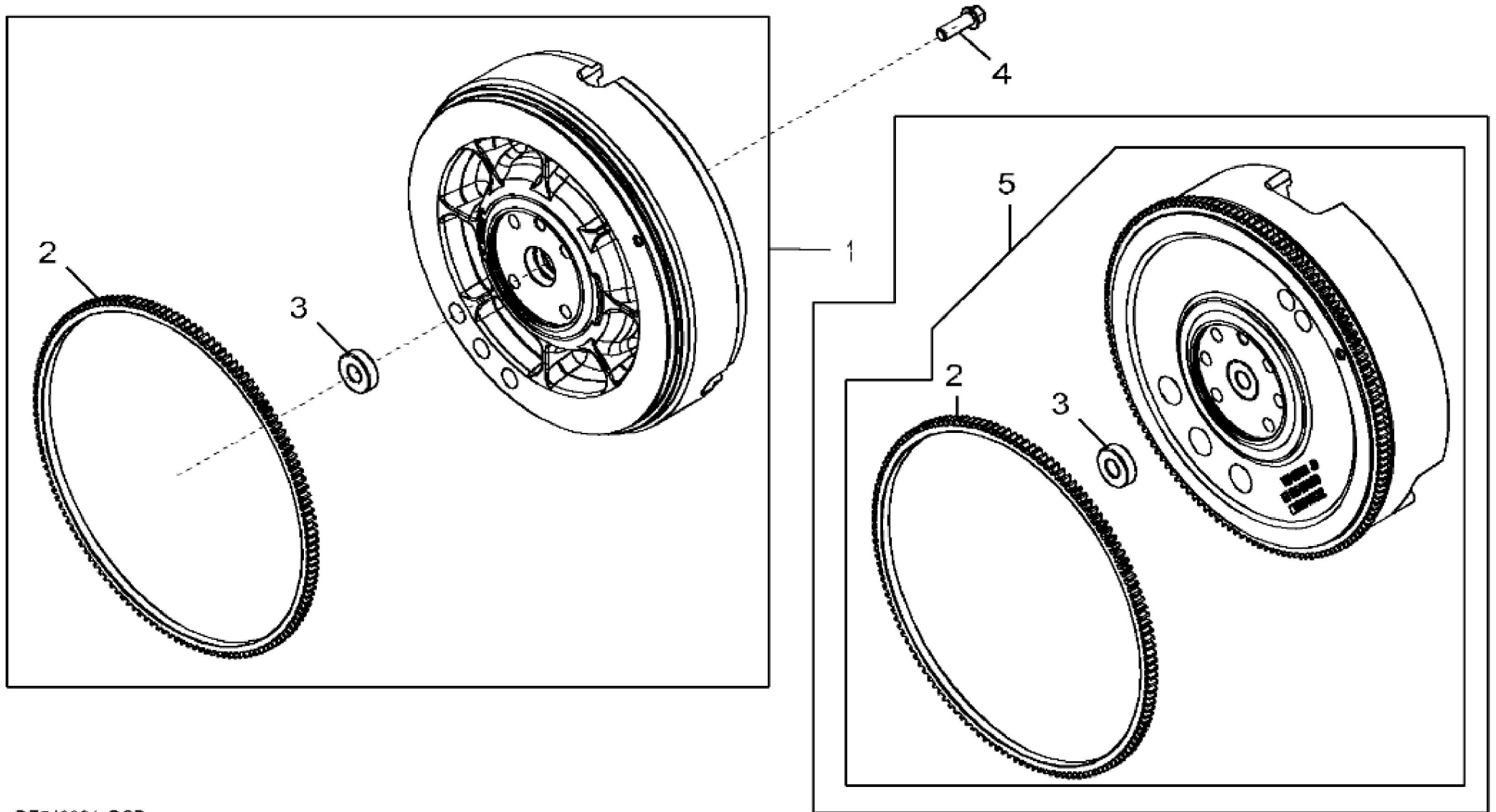


1489\_RE549363\_PCD

John Deere > Turf And Utility >TRACTOR >5075E - TRACTOR >5075E Tractor (IT4)(9X3 TSS Transmission W/ Cab)(12X12 PR Transmission W/ Cab and OOS) (For Europe, Australia, New Zealand, JDLA, Sub-Saharan Africa and Mexico) >20 ENGINE 3029HPY40-DZ100016 >ST757731 - 1489 FLYWHEEL HOUSING

KEY	PART NO.	PART NAME	QTY	REMARKS	
1	R531927	CAP SCREW	8		
2	R534252	HOUSING	1	MARKED R538315	
3	RE44574	SEAL	1		
4	R536055	GASKET	1		
5	R131765	PLUG	1		
6	A120R	DOWEL PIN	2		





Thank you so much for reading.  
Please click the “Buy Now!”  
button below to download the  
complete manual.



After you pay.

You can download the most  
perfect and complete manual in  
the world immediately.

Our support email:

[ebooklibonline@outlook.com](mailto:ebooklibonline@outlook.com)