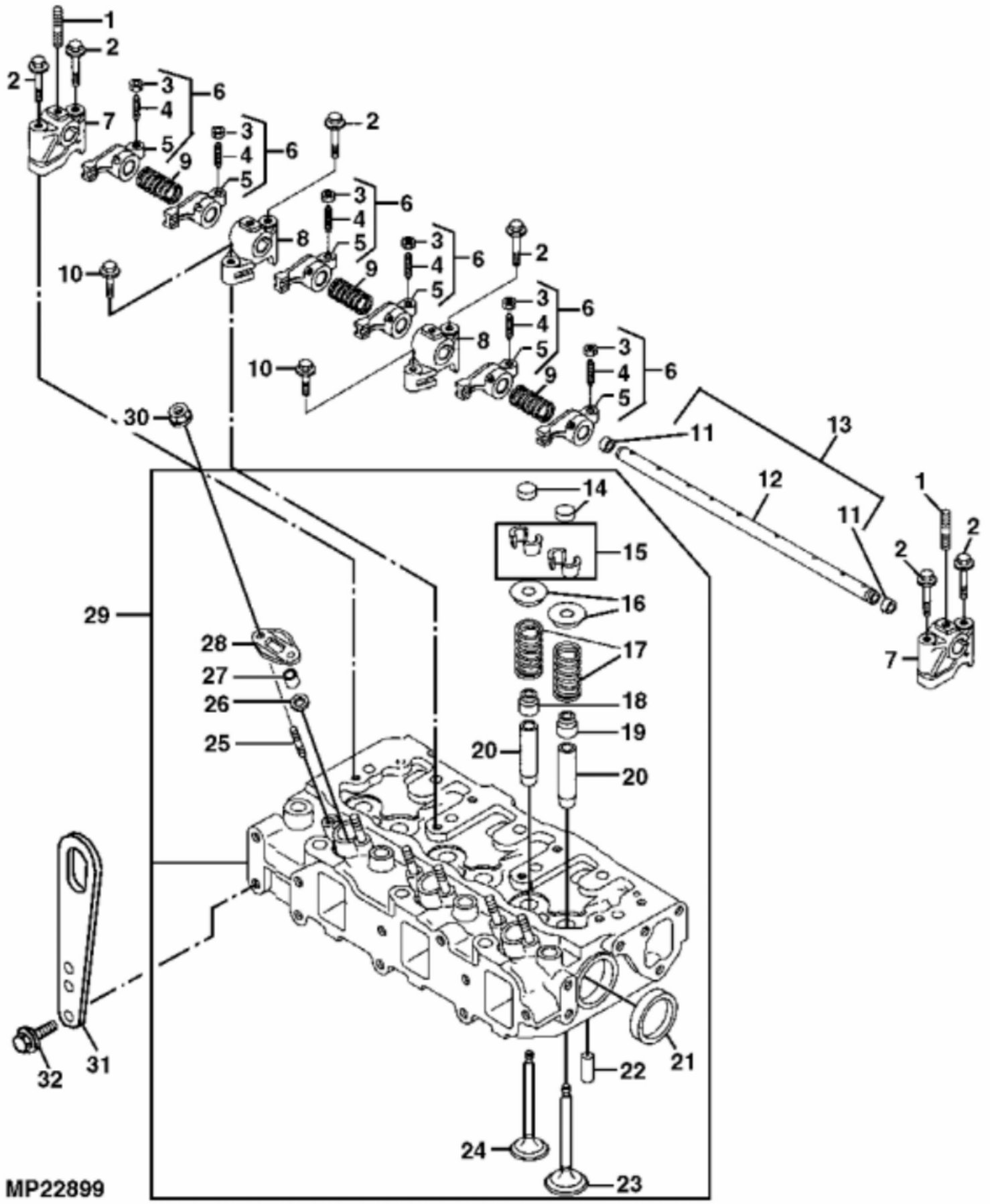


MP18654

| KEY | PART NO. | PART NAME | QTY | REMARKS |
|-----|-----------|-----------------------------|-----|--|
| 1 | M800970 | BOLT | 14 | |
| 2 | M806729 | ENGINE CYLINDER HEAD GASKET | 1 | |
| 3 | AM878590 | CYLINDER BLOCK | 1 | |
| 4 | CH10335 | PLUG | 3 | |
| 5 | PT13744 | PLUG | 1 | |
| 6 | M802255 | PIN | 4 | 8 X 16 |
| 7 | M806840 | PLUG | 1 | |
| 8 | CH18079 | SPRING PIN | 2 | |
| 9 | 30M7023 | PLUG | 6 | |
| 10 | 15H562 | PIPE PLUG | 1 | 1" |
| 11 | M800977 | BUSHING | 1 | CAMSHAFT |
| 12 | M800978 | SHAFT | 1 | IDLER |
| 13 | CH19101 | BOLT | 2 | |
| 14 | M87801 | PLUG | 2 | |
| 15 | M800974 | PIPE | 2 | |
| 16 | MIA880553 | BEARING | 2 | THRUST, STD, (SUB FOR AM875301) |
| 16 | AM875594 | BEARING KIT | 2 | .25 MM (.010") OS, THRUST |
| 17 | MIA880559 | BEARING | 4 | MAIN, STD, (SUB FOR AM875300) |
| 17 | MIA880549 | BEARING | 4 | .25MM (.010") US, MAIN, (SUB FOR AM875302) |
| 18 | | BEARING CAP | 3 | |
| 19 | M87879 | BOLT | 8 | |
| 20 | | BEARING CAP | 1 | |
| 21 | LVU10335 | SHIELD | 1 | AIRDAM, RH |
| 21 | LVU10271 | SHIELD | 1 | AIRDAM, RH (EXPORT) (SUB FOR M135134) |
| 22 | LVU10334 | SHIELD | 1 | AIRDAM, LH |
| 22 | M130311 | SHIELD | 1 | AIRDAM, LH (EXPORT) |
| 23 | 19M8242 | BOLT | 1 | |
| 24 | 19M7864 | BOLT | 2 | |
| 25 | 19M7866 | BOLT | 1 | |
| 26 | 19M7783 | BOLT | 1 | |
| 27 | 14M7298 | FLANGE NUT | 1 | M8 |
| .. | | ENGINE | 1 | (MARKED 3TNE78A-JT42) (SUB AM880660) |
| .. | AM129992 | ENGINE | 1 | (MARKED 3TNE78A-EJTS) (SUB AM880660) |
| .. | AM880660 | SHORT BLOCK ASSEMBLY | 1 | |
| .. | LVU10368 | ISOLATOR | 1 | AIRDAM SHIELD, RH |

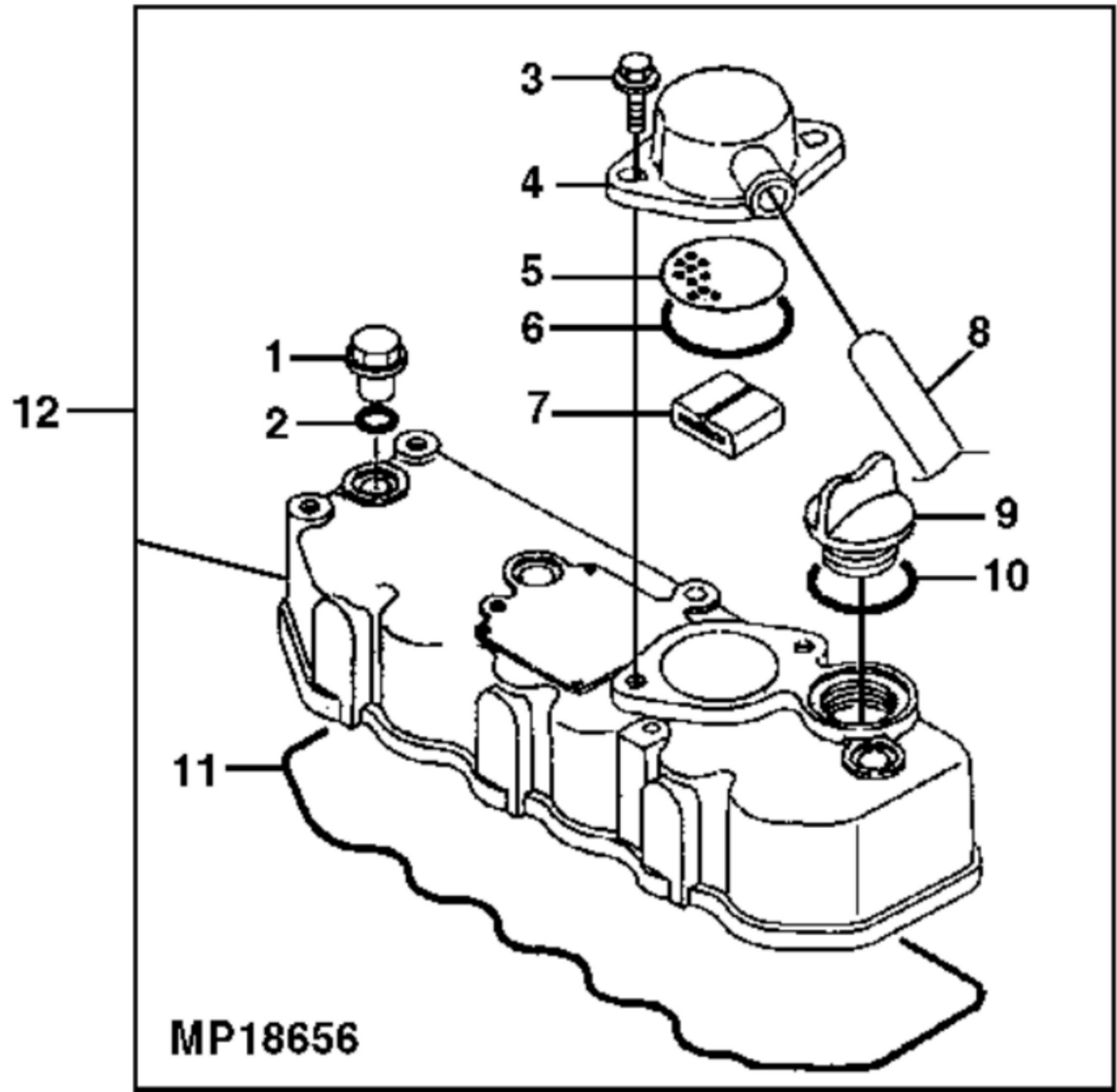
| KEY | PART NO. | PART NAME | QTY | REMARKS | |
|-----|----------|-----------|-----|-----------------------|--|
| .. | LVU10367 | ISOLATOR | 1 | AIRDAM SHIELD, LH | |
| .. | LVU10366 | ISOLATOR | 1 | AIRDAM SHIELD, BOTTOM | |



MP22899

ARMS

| KEY | PART NO. | PART NAME | QTY | REMARKS |
|-----|----------|------------------|-----|------------------------------|
| 1 | M801024 | STUD | 3 | |
| 2 | 19M7800 | BOLT | 6 | |
| 3 | M801028 | NUT | 1 | |
| 4 | M801027 | SCREW | 1 | |
| 5 | | ROCKER ARM | 1 | |
| 6 | AM875311 | ARM | 6 | |
| 7 | M801022 | SUPPORT | 2 | ROCKER ARM |
| 8 | M801023 | SUPPORT | 2 | ROCKER ARM |
| 9 | M801025 | SPRING | 3 | |
| 10 | 19M7867 | BOLT | 2 | |
| 11 | M800002 | PLUG | 2 | |
| 12 | | ROCKER ARM SHAFT | 1 | |
| 13 | AM875310 | SHAFT | 1 | SUPPORT |
| 14 | CH12585 | CAP | 6 | |
| 15 | AM100828 | RETAINER KIT | 3 | (2 PER PKG), VALVE |
| 16 | M801015 | RETAINER | 6 | SPRING |
| 17 | M801014 | SPRING | 6 | VALVE |
| 18 | CH10346 | SEAL | 3 | EXHAUST, (SUB FOR CH15432) |
| 19 | CH10346 | SEAL | 3 | INTAKE |
| 20 | CH16041 | GUIDE | 6 | |
| 21 | CH16751 | PLUG | 2 | |
| 22 | CH18079 | SPRING PIN | 1 | |
| 23 | M801012 | INTAKE VALVE | 3 | |
| 24 | RG60149 | EXHAUST VALVE | 3 | |
| 25 | M801011 | STUD | 6 | |
| 26 | M801017 | VALVE SEAT | 3 | |
| 27 | M801016 | SEAL | 3 | (SUB FOR M810460 OR M806732) |
| 28 | M801018 | RETAINER | 3 | |
| 29 | AM878523 | CYLINDER HEAD | 1 | |
| 30 | 14M7303 | FLANGE NUT | 6 | M6 |
| 31 | AT211695 | LIFT ARM | 2 | |
| 32 | 19M7865 | BOLT | 4 | |



MP18656

| KEY | PART NO. | PART NAME | QTY | REMARKS | |
|-----|----------|-------------|-----|----------|--|
| 1 | CH10348 | NUT | 3 | | |
| 2 | CH10568 | PACKING | 3 | | |
| 3 | 19M7865 | BOLT | 2 | | |
| 4 | M801031 | CAP | 1 | | |
| 5 | M801033 | PLATE | 1 | | |
| 6 | M801034 | O-RING | 1 | | |
| 7 | M801032 | DEFLECTOR | 1 | | |
| 8 | M804268 | HOSE | 1 | BREATHER | |
| 9 | M805710 | CAP | 1 | | |
| 10 | M805711 | PACKING | 1 | | |
| 11 | M801036 | O-RING | 1 | | |
| 12 | AM875312 | VALVE COVER | 1 | NLA | |

Thank you so much for reading.
Please click the “Buy Now!”
button below to download the
complete manual.



After you pay.

You can download the most
perfect and complete manual in
the world immediately.

Our support email:

ebooklibonline@outlook.com