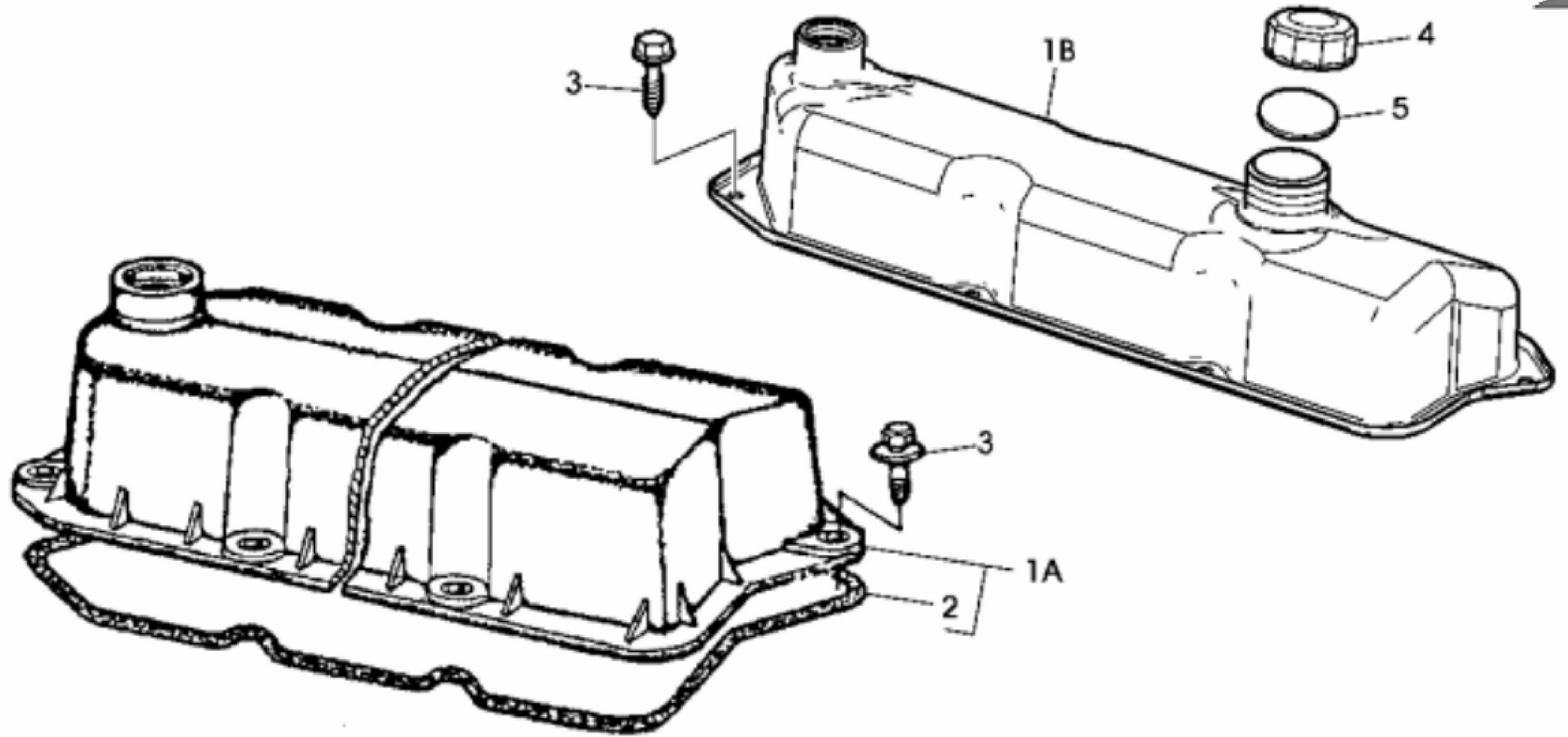


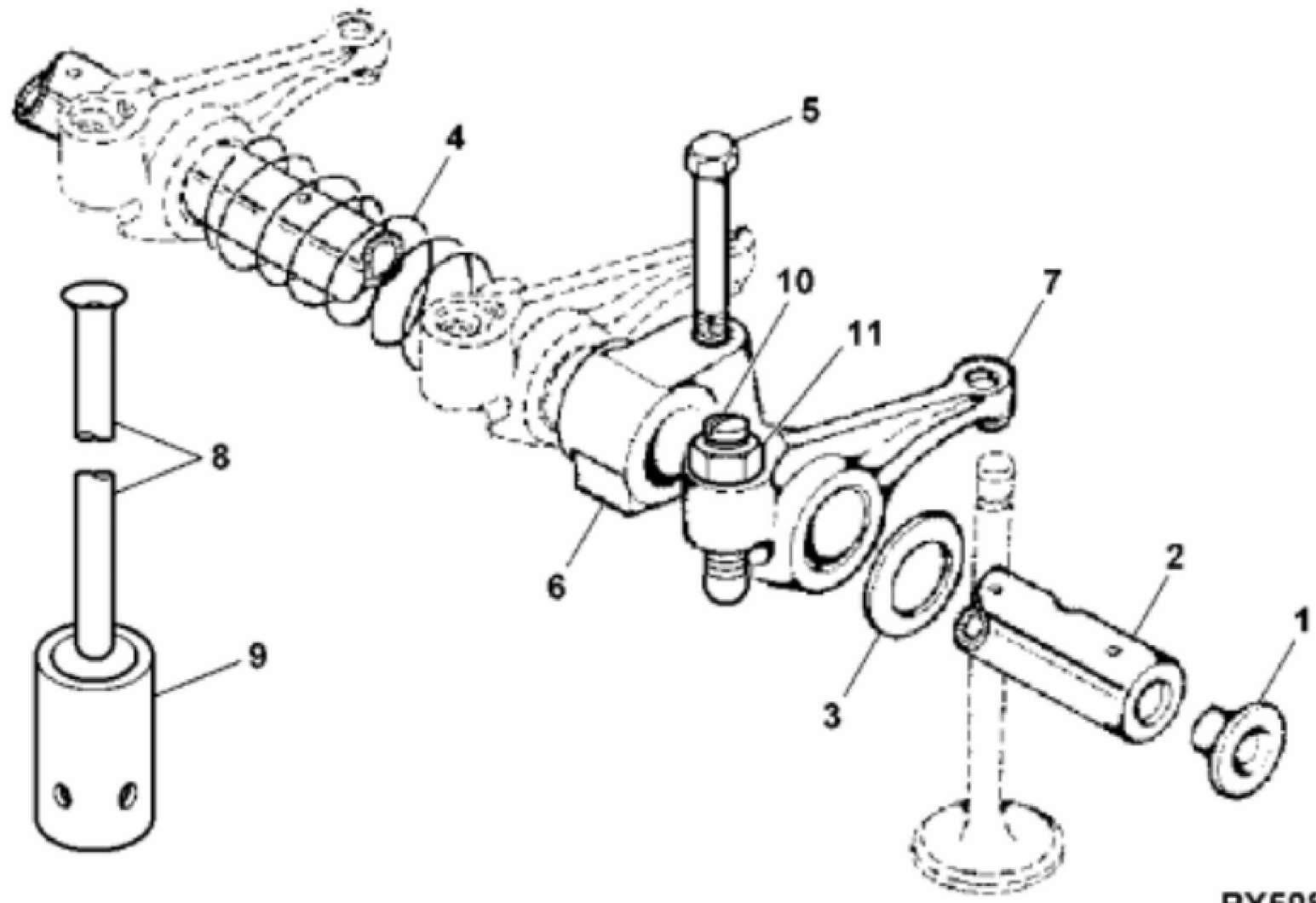
PY50837

KEY	PART NO.	PART NAME	QTY	Engine Serial No.	5310	5203S	REMARKS	
1	R56463	O-RING	1		X	X	21.819 X 3.531 mm	
2	R92154	ELBOW FITTING	1		X	X		
3	AT18904	CLAMP	2		X	X		
4	R99793	HOSE	1	____-113592	X	X		
5	R519549	VENT	1	113593-____	X	X		
6	RE522889	VENT	1	113593-____	X	X		
7	19H1255	CAP SCREW	1	113593-____	X	X	3/8" X 5/8"	
8	T30726	WASHER	1	113593-____	X	X		



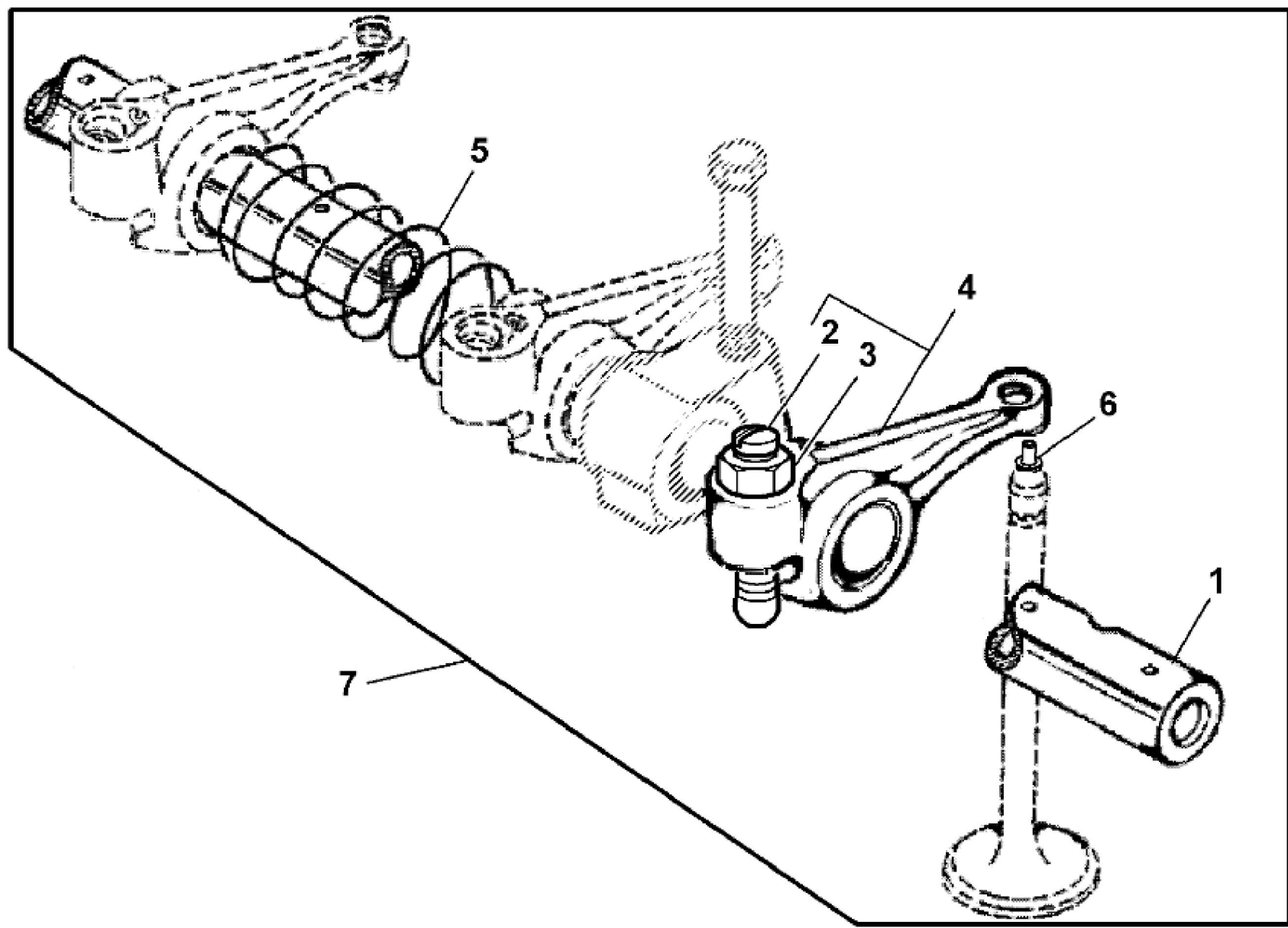
PY51588

KEY	PART NO.	PART NAME	QTY	Engine Serial No.	5310	5203S	REMARKS	
1A	RE515827	VALVE COVER	1		X			
1A	RE515827	VALVE COVER	1	____-125614		X		
1B	RE526534	VALVE COVER	1	125615-____		X		
2	R106796	O-RING	1		X		CUT TO LENGTH	
2	R106796	O-RING	1	____-125614		X		
2	R75729	GASKET	1	125615-____		X		
3	RE32140	SCREW WITH WASHER	6		X			
3	RE32140	SCREW WITH WASHER	6	____-125614		X		
3	AR103811	SCREW WITH WASHER	6	125615-____		X		
4	R90788	PLUG	1	125615-____		X		
5	T20328	GASKET	1	125615-____		X		



PY50838

KEY	PART NO.	PART NAME	QTY	5310	5203S	REMARKS	
1	R54565	PLUG	2	X	X		
2	SHAFT	1	X	X	NLA; ORDER RE519735	
2	RE519735	ROCKER ARM SHAFT	1	X	X	SUB FOR R501532	
3	T20316	WASHER	2	X	X		
4	T20314	SPRING	2	X	X		
5	R504813	SELF-LOCKING SCREW	3	X	X	SAE 8	
6	R516741	SUPPORT	3	X	X		
7	RE62148	ROCKER ARM	6	X	X	INCLUDES R515577, R125881	
8	R515095	PUSH ROD	6	X	X		
9	R515092	TAPPET	6	X	X	LGTH = 234 mm (9.21")	
10	R515577	SCREW	6	X	X		
11	R125881	LOCK NUT	6	X	X		



PY52172

Thank you so much for reading.
Please click the “Buy Now!”
button below to download the
complete manual.



After you pay.

You can download the most
perfect and complete manual in
the world immediately.

Our support email:

ebooklibonline@outlook.com