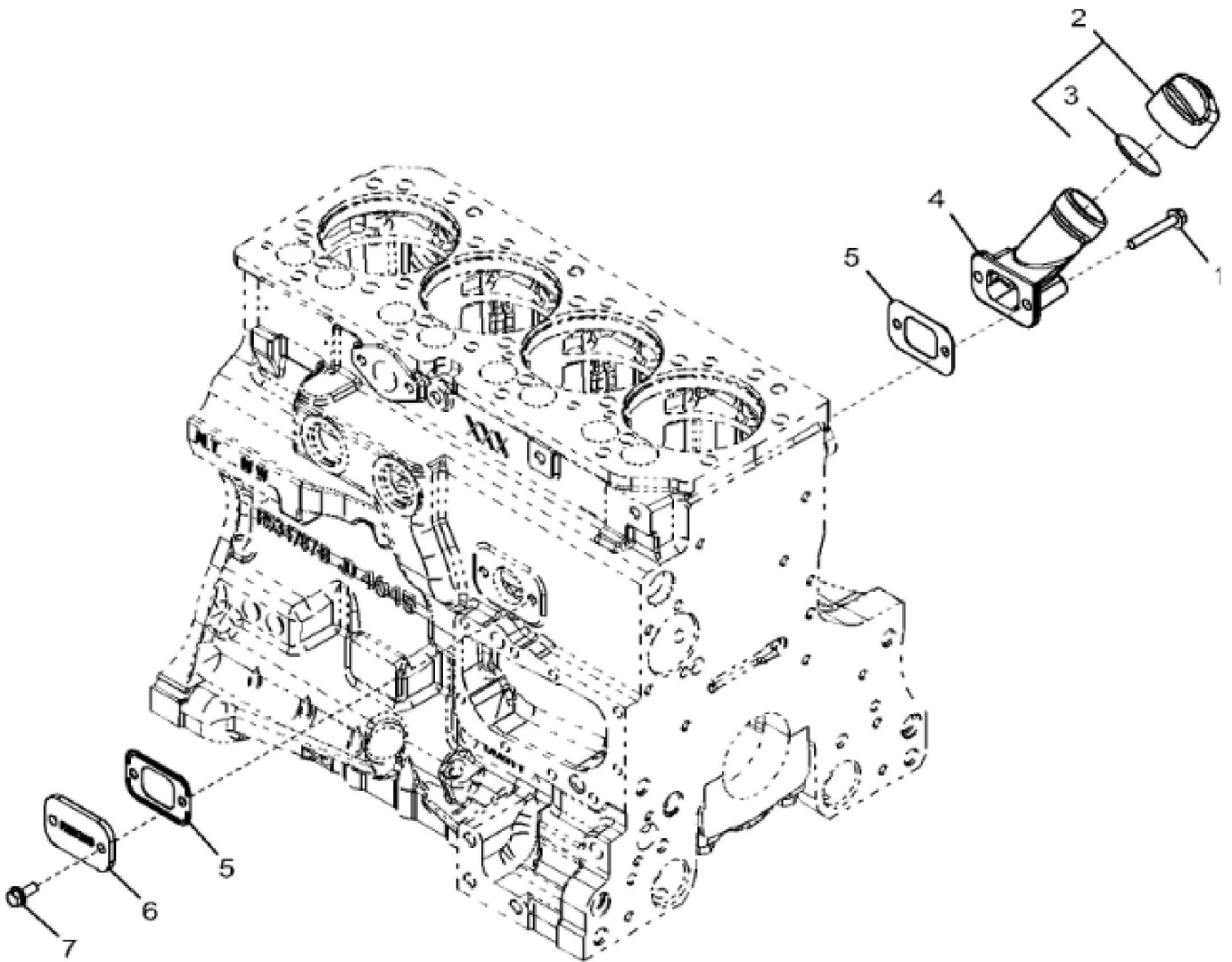
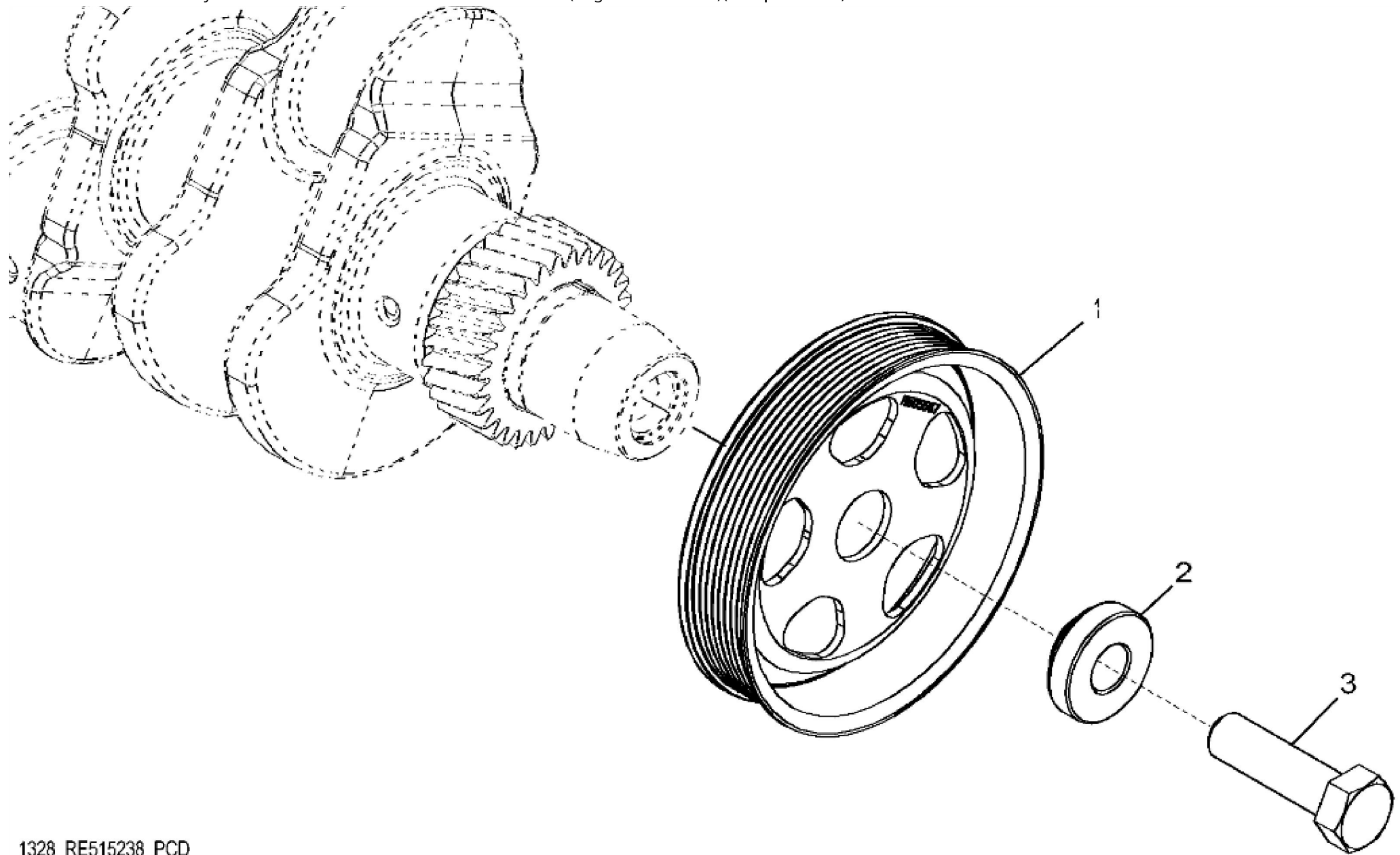


KEY	PART NO.	PART NAME	QTY	REMARKS	
1	R521401	MEDALLION	1	SUB FOR R116324	
2	H23125	PLUG	4		
3	R123574	NUT	4		
4	R123575	O-RING	4		
5	R524480	GASKET	1	SUB FOR R123542	
6	RE502969	VALVE COVER	1	MARKED R519779	
7	RE70401	VALVE COVER	1	MARKED R519777	
8	RE59801	PLUG	1	USE WITH RE70401	
9	U11017	O-RING	1	USE WITH RE70401	

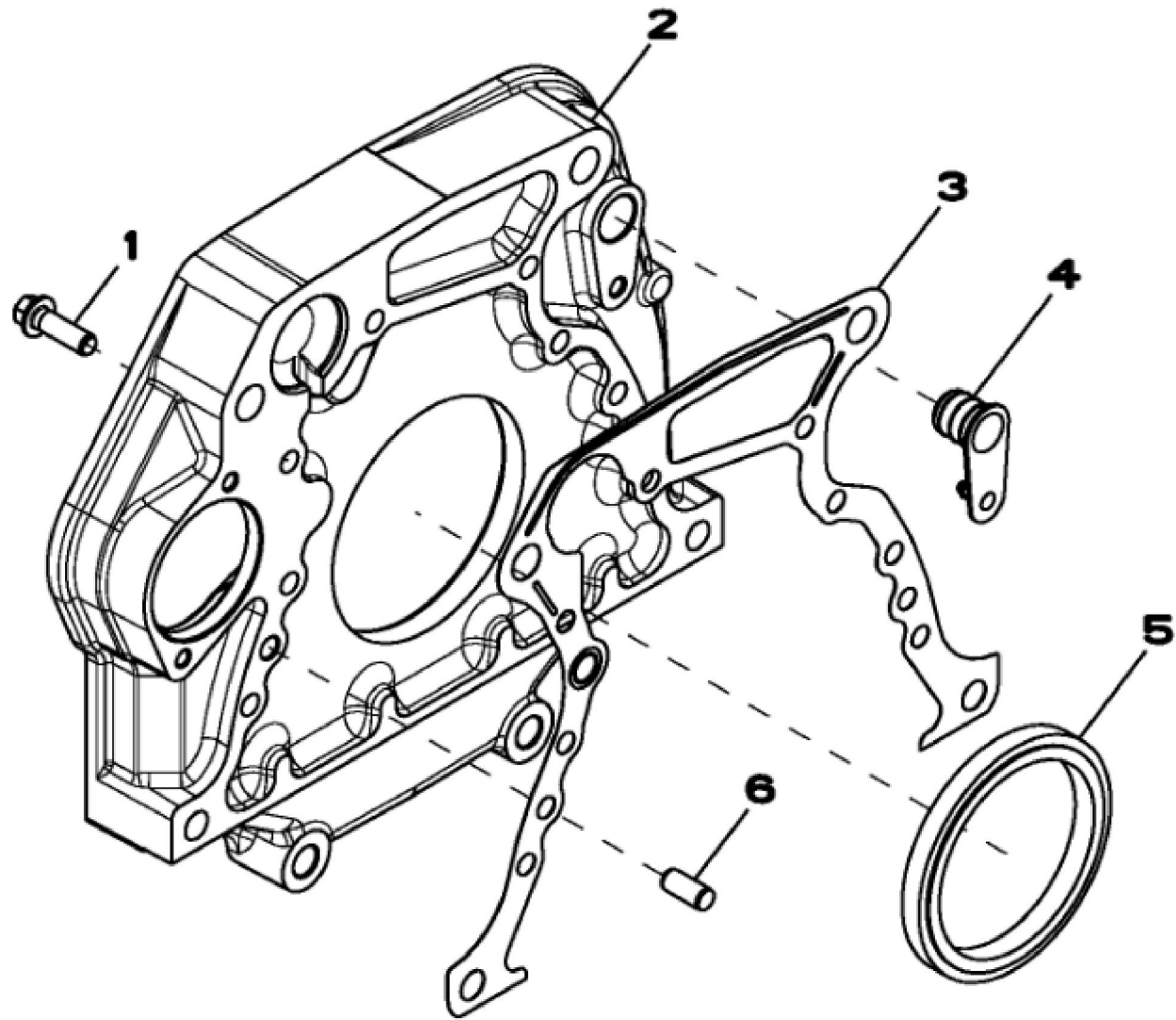


KEY	PART NO.	PART NAME	QTY	REMARKS	
1	19M7979	SCREW	2	M8 X 55	
2	RE529554	FILLER CAP	1		
3	R80135	GASKET	1		
4	R532599	FILLER NECK	1	SUB FOR R521157	
5	R136495	GASKET	2		
6	R116296	COVER	1		
7	RE67238	SCREW	2	(Threads With Pre-Applied Sealant)	



1328\_RE515238\_PCD

KEY	PART NO.	PART NAME	QTY	REMARKS	
1	R505567	PULLEY	1	OD = 173 mm	
2	R515040	BUSHING	1	OD = 50 mm	
3	R516648	CAP SCREW	1	(One Time Usage) M20 X 70	



RE517252PCDA01

Thank you so much for reading.  
Please click the “Buy Now!”  
button below to download the  
complete manual.



After you pay.

You can download the most  
perfect and complete manual in  
the world immediately.

Our support email:

[ebooklibonline@outlook.com](mailto:ebooklibonline@outlook.com)