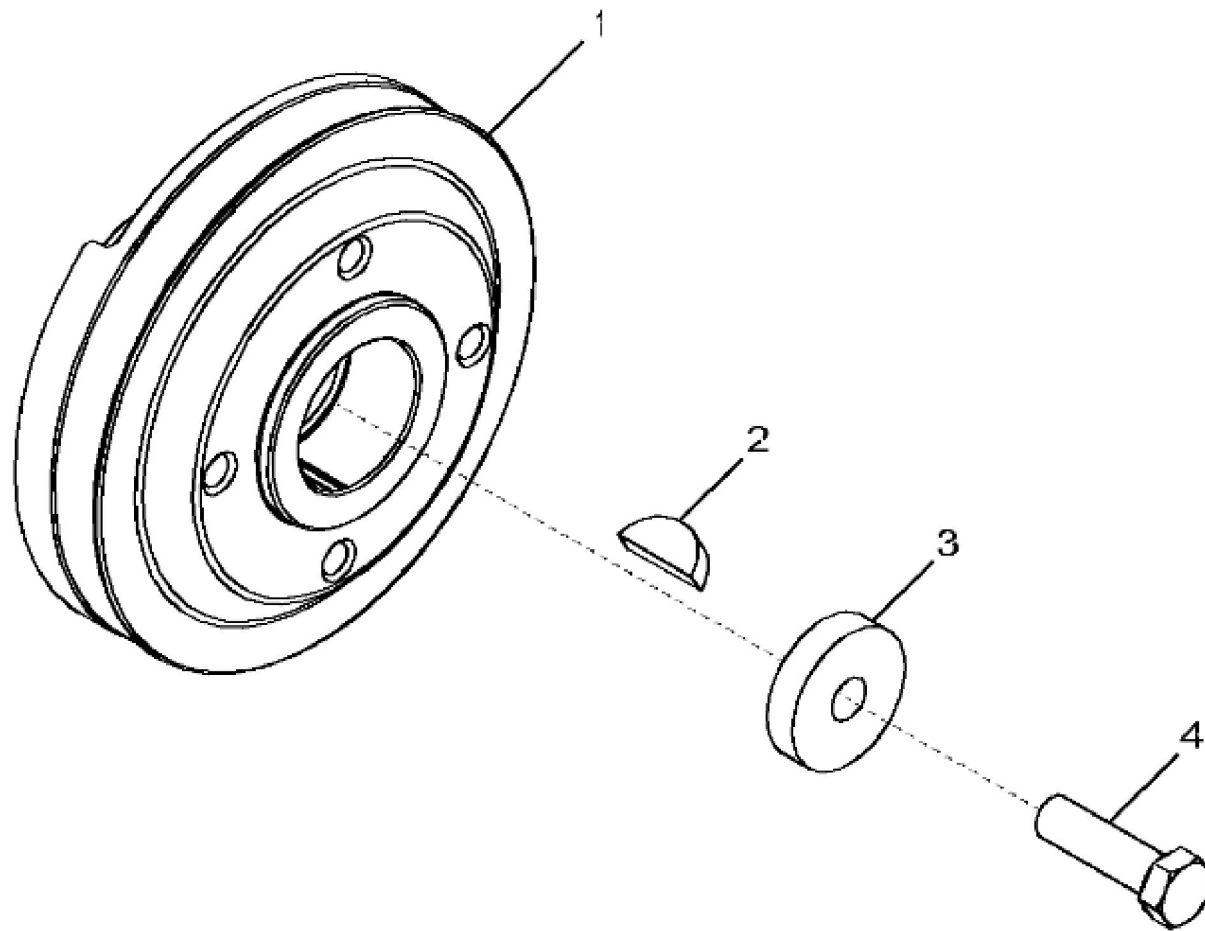


## - 1147 ROCKER ARM COVER

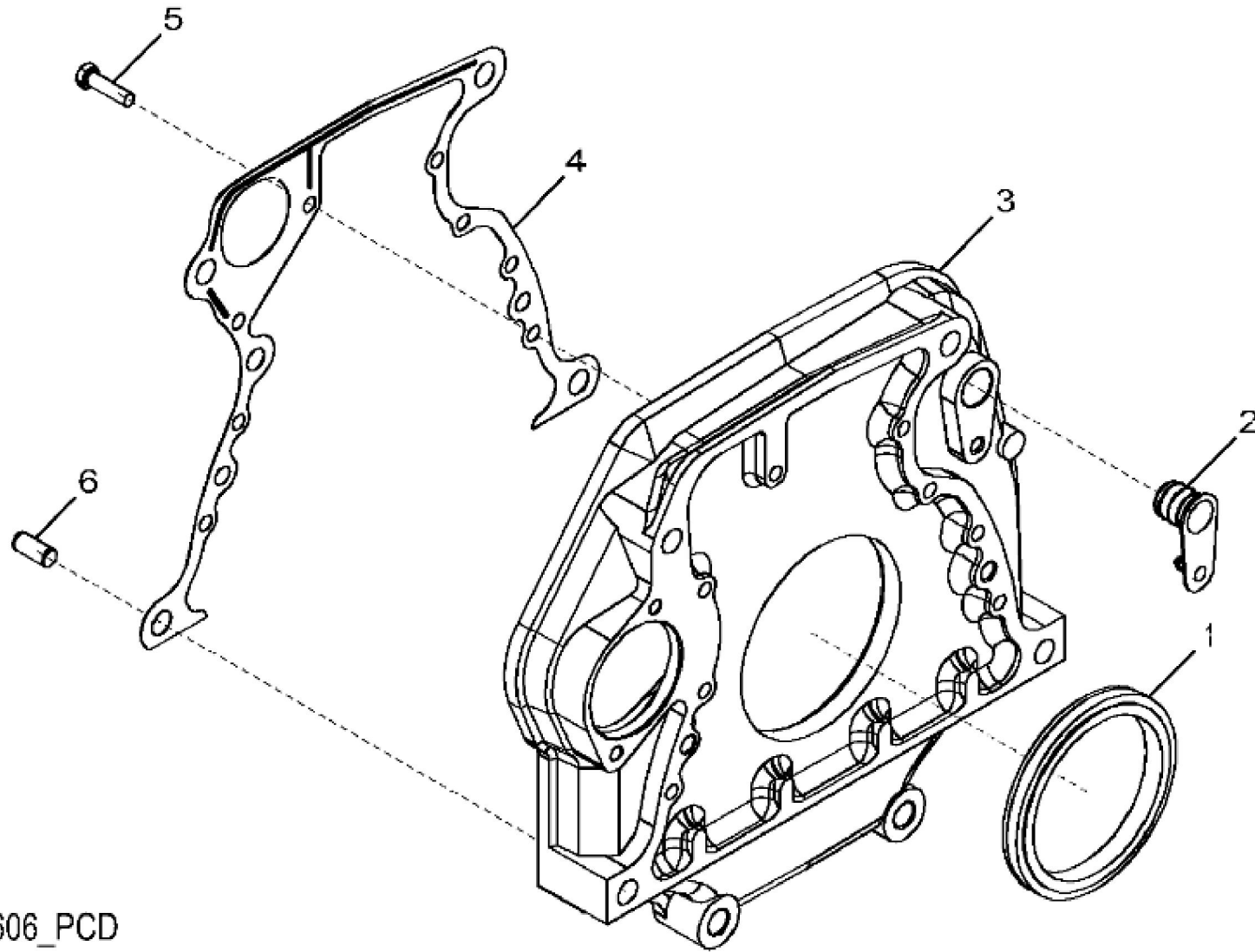
KEY	PART NO.	PART NAME	QTY	REMARKS	
1	AR100124	SCREW WITH WASHER	6		
2	RE526534	COVER	1		
3	R90788	PLUG	1		
4	T20328	GASKET	1		
5	R75729	GASKET	1	(Not Illustrated) USE WITH RE526534	



1308\_RE48186\_PCD

## - 1308 CRANKSHAFT PULLEY

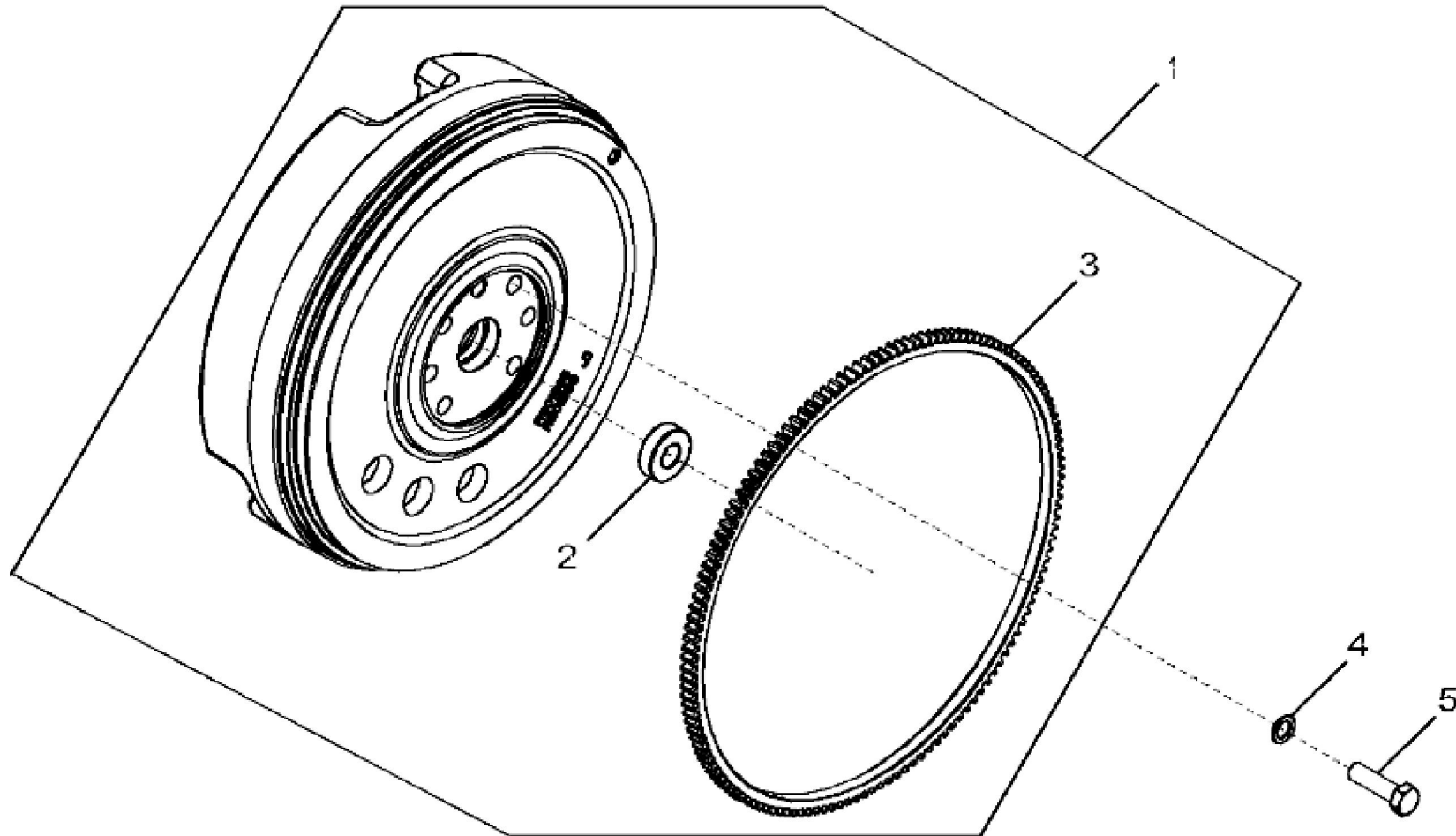
KEY	PART NO.	PART NAME	QTY	REMARKS	
1	R501223	PULLEY	1		
2	26H27	SHAFT KEY	1	5/16" X 1-1/8"	
3	R109086	SPACER	1		
4	19H2473	CAP SCREW	1	1/2" X 1-3/4"	



1467\_RE527606\_PCD

## - 1467 FLYWHEEL HOUSING

KEY	PART NO.	PART NAME	QTY	REMARKS	
1	RE35885	SEAL	1		
2	R131765	PLUG	1		
3	R120751	HOUSING	1		
4	R97351	GASKET	1		
5	19H3219	CAP SCREW	8	3/8" X 1-3/8"	
6	R48685	DOWEL PIN	2		



1577\_RE506175\_PCD

Thank you so much for reading.  
Please click the “Buy Now!”  
button below to download the  
complete manual.



After you pay.

You can download the most  
perfect and complete manual in  
the world immediately.

Our support email:

[ebooklibonline@outlook.com](mailto:ebooklibonline@outlook.com)