

Section: ENGINE
CRANKCASE

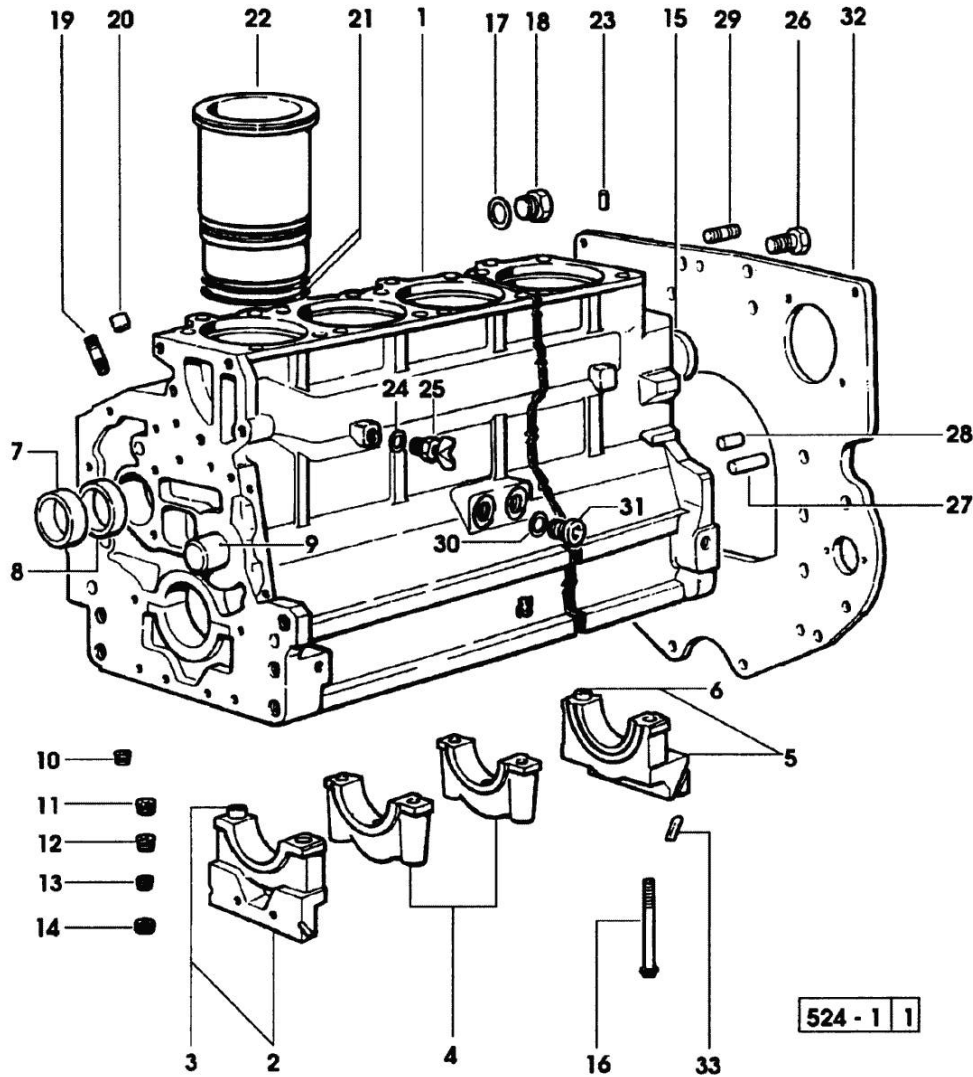


Fig.	P/n	QTY	Name
Notes:			
[115 FORMULA]			
0	0.337.0050.6	1	gasket set
1	0.007.1102.6	1	crankcase -> 1148 X 115 FORMULA -> 1133 X 135 FORMULA
1	0.078.1110.6	1	crankcase 1147 <- X 115 FORMULA 1132 <- X 135 FORMULA
2	0.065.1112.3	1	support
3	2.1699.165.0	1	bush 12.3x15x16
4	0.065.1114.0/10	5	support
5	0.007.0848.3/10	1	support -> 1148 X 115 FORMULA -> 1133 X 135 FORMULA
5	0.065.1116.3	1	support 1147 <- X 115 FORMULA 1132 <- X 135 FORMULA
6	2.1699.165.0	1	bush 12.3x15x16
7	0.065.1141.0	1	special bushing 59X55X30
8	0.065.1140.0	6	special bushing 59X55X20
9	0.066.1151.0	1	pin
10	2.3130.001.1	14	plug 1/8" gas
11	2.3130.002.1	2	plug 1/4" gas
12	2.3130.003.1	7	plug 3/8" gas
13	2.3131.006.0	1	plug m 22 x 1.5
14	2.1324.011.0	1	plug
15	2.3179.012.0	1	plug 60
16	0.065.1117.0	14	screw m 12 x 100
17	2.1539.047.0	1	special oil seal 26.7x1.78
18	2.3199.405.2	1	plug m 28 p.1.5
19	2.0432.003.7	18	stud bolt m 8 p.1.25 / p.1 x 20
20	2.1559.188.0/10	6	bush
21	2.1519.096.0/20	12	special oil seal 107.67x1.78
22	0.088.1120.0/20	6	engine cylinder
23	2.1549.154.2	6	bush 4.8x5.8x16
24	2.1560.009.0	1	gasket 14.2x18
25	0.049.1152.0	1	cock
26	2.0112.511.1	8	screw m 14 p.2 x 30
27	2.1651.912.0	2	cylindrical plug 12x28
28	2.1651.917.0	1	cylindrical plug 12x40
29	2.0432.255.7	2	stud bolt m 12 p.1.75-1.25x25
30	2.1560.017.0	1	gasket 22.2 x 27
31	2.3120.002.4	1	plug m 22 x 1.5
32	0.007.0805.0/10	1	flange 1289 <- X 115 FORMULA 1273 <- X 135 FORMULA
32	0.007.0805.0/20	1	flange

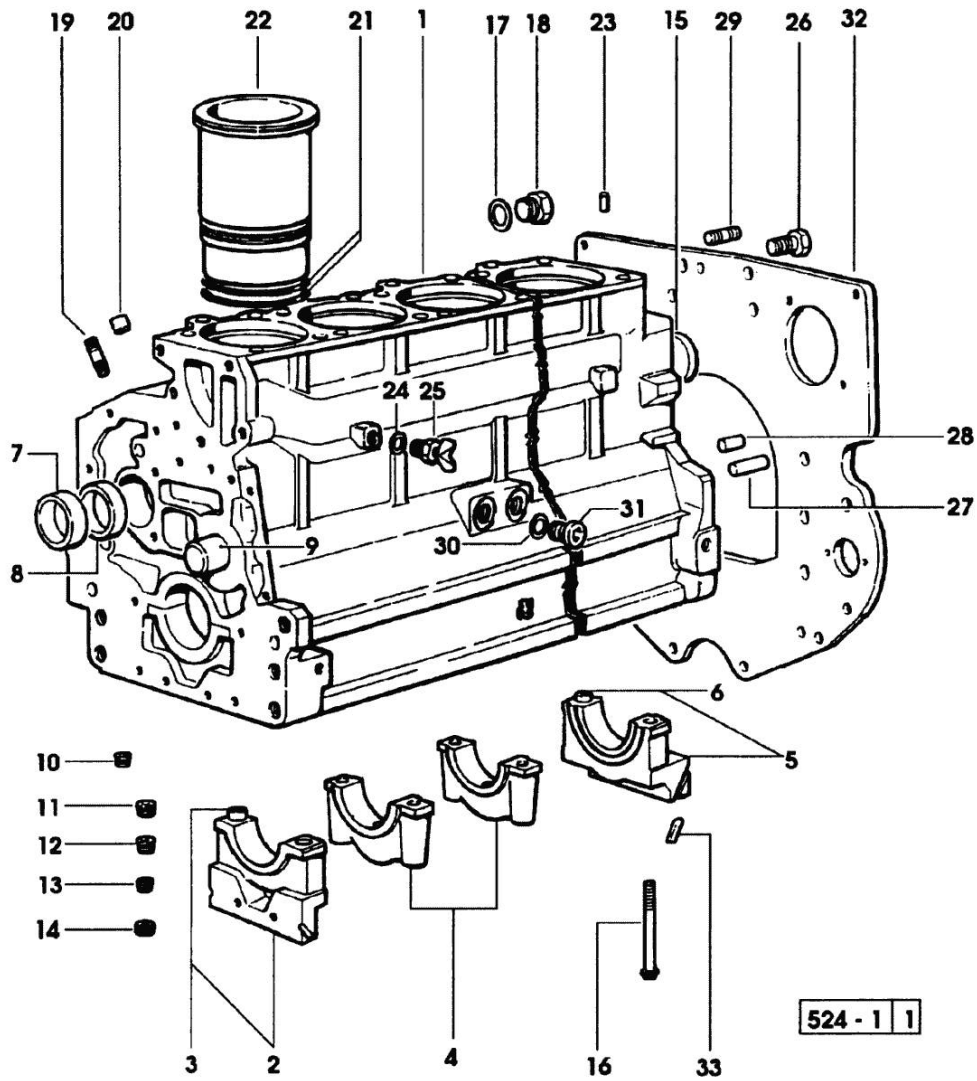
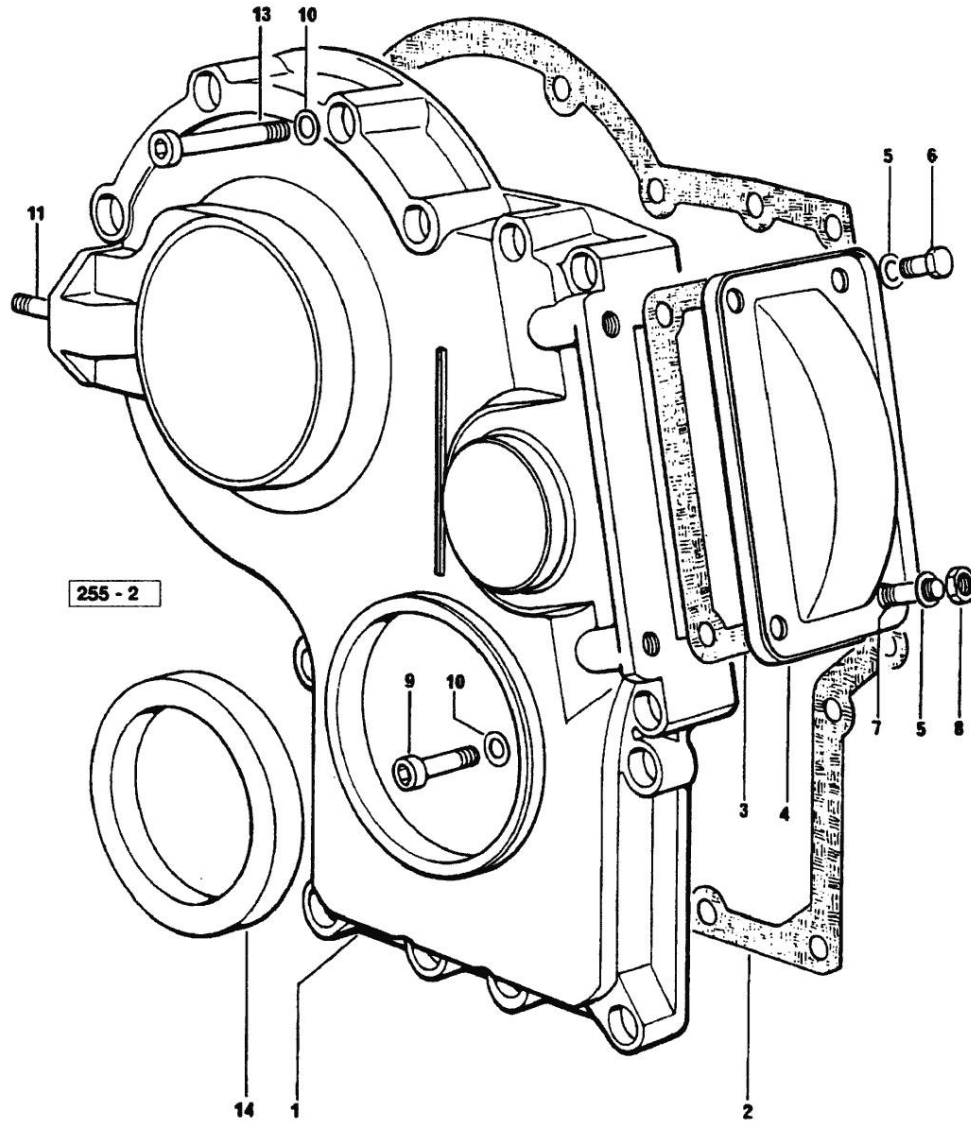


Fig.	P/n	QTY	Name
33	0.066.1152.0/10	4	-> 1290 X 115 FORMULA -> 1247 X 135 FORMULA gasket

524 - 1 1

Section: ENGINE

TIMING CASE**Notes:**

[115 FORMULA]

Fig.	P/n	QTY	Name
1	0.065.1132.0/20	1	guard
2	0.065.1150.0/20	1	gasket
3	0.065.1152.0	1	gasket
4	0.065.1151.0	1	cover
5	2.1470.004.2	4	lock washer 8
6	2.0112.205.2	2	screw m 8 p.1.25 x 16
7	2.0432.003.7	2	stud bolt m 8 p.1.25 / p.1 x 20
8	2.1011.405.2	2	nut m 8 p.1
9	2.0312.214.1	3	screw m 8 p.1.25 x 40
10	2.1480.014.1	15	washer 8
11	2.0432.003.7	2	stud bolt m 8 p.1.25 / p.1 x 20
13	2.0312.208.2	8	screw m 8 p.1.25 x 25
13	2.0312.219.2	4	screw m 8 p.1.25x65
14	2.1529.108.0	1	special oil seal 70x90x10

Section: ENGINE

CRANKSHAFT

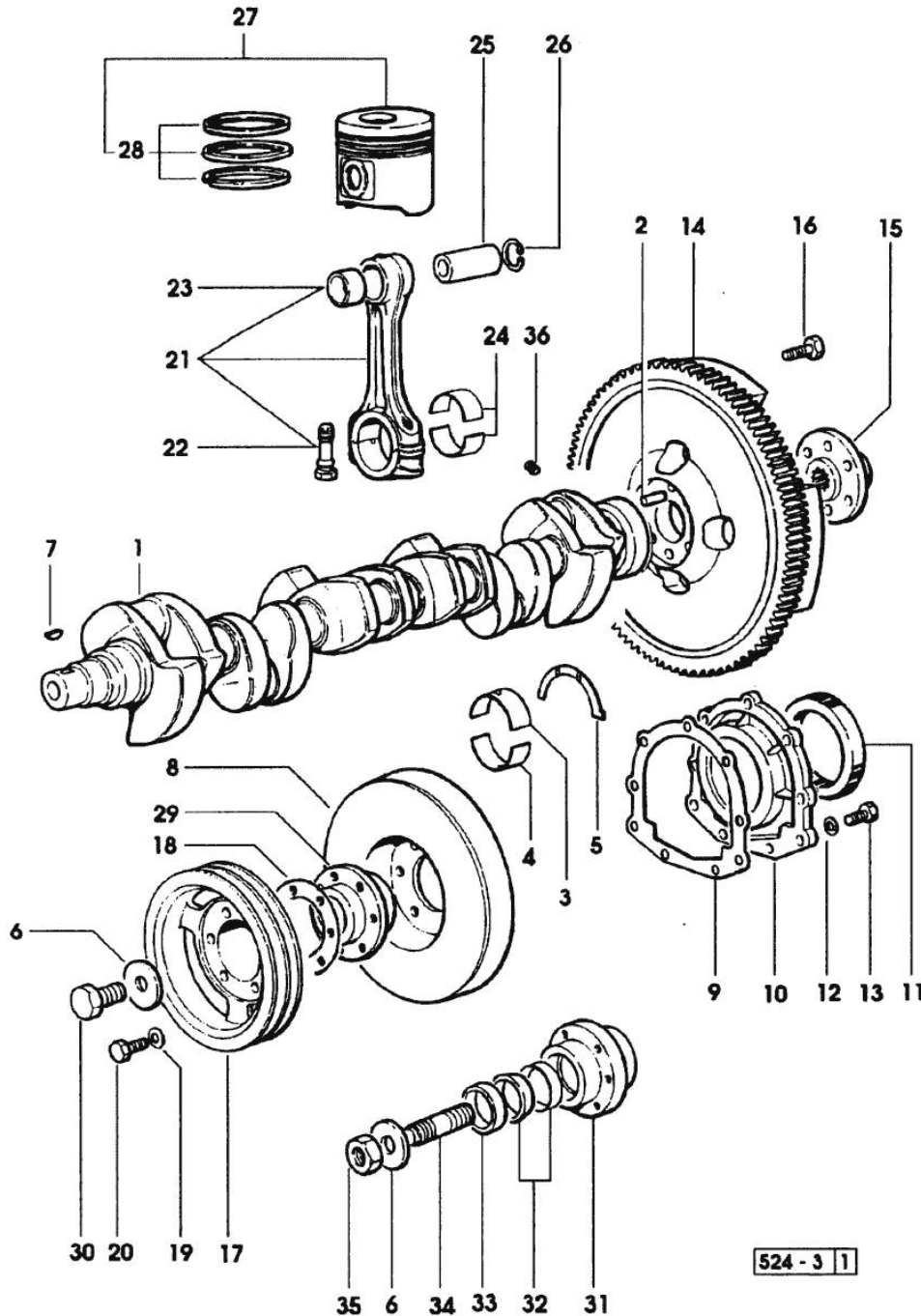


Fig.	P/n	QTY	Name
------	-----	-----	------

Notes:
[115 FORMULA]

1	0.006.5605.3	1	crankshaft 1147 <-
1	0.006.5605.3/30	1	crankshaft -> 1148
1	0.007.0855.0	1	gear -> 1148
2	2.1652.915.0	1	cylindrical plug 12x35
3	0.065.1215.0	7	main half bushing STANDARD
3	0.065.1215.7	7	main half bushing - mm 0.25
3	0.065.1215.8	7	main half bushing - mm 0.50
4	0.065.1216.0	7	main half bushing
4	0.065.1216.7	7	main half bushing - mm 0.25
4	0.065.1216.8	7	main half bushing - mm 0.50
5	0.065.1218.0	4	shim STANDARD
5	0.065.1218.7	4	shim + mm 0.10
5	0.065.1218.8	4	shim + mm 0.15
6	2.1599.524.7	1	washer 21x60x12
7	2.1720.006.0	1	key 4x6.5
8	0.007.1010.3	1	antivibration pulley
9	0.065.1254.0/10	1	gasket
10	0.007.0851.0	1	cover -> 1148
10	0.065.1253.0/10	1	cover 1147 <-
11	2.1529.073.0	1	special oil seal 110x130x13
12	2.1474.009.2	9	spring washer 8
13	2.0112.207.2	9	screw m 8 p 1.25 x 20
14	0.008.4049.3	1	flywheel mm 373
14	0.065.1242.0	1	crown wheel Z = 123
15	0.288.3625.0	1	flange
16	2.0139.023.2	6	screw
17	0.007.0962.0/20	1	pulley
18	2.1589.137.0	2	shoulder ring 71x110x1
19	2.1470.006.2	6	lock washer 10
20	2.0112.322.2	6	screw m 10 p.1.5x65
21	0.078.1220.3/10	6	engine connecting rod - X 1000.4 W
22	2.0139.021.0	2	screw
23	2.1559.114.0/10	1	special bushing
24	0.065.1225.0	12	con.rod half bushing STANDARD - A = 28.75 -> 29.00
24	0.065.1225.7	12	con.rod half bushing - mm 0.25
24	0.065.1225.8	12	con.rod half bushing - mm 0.50

CRANKSHAFT

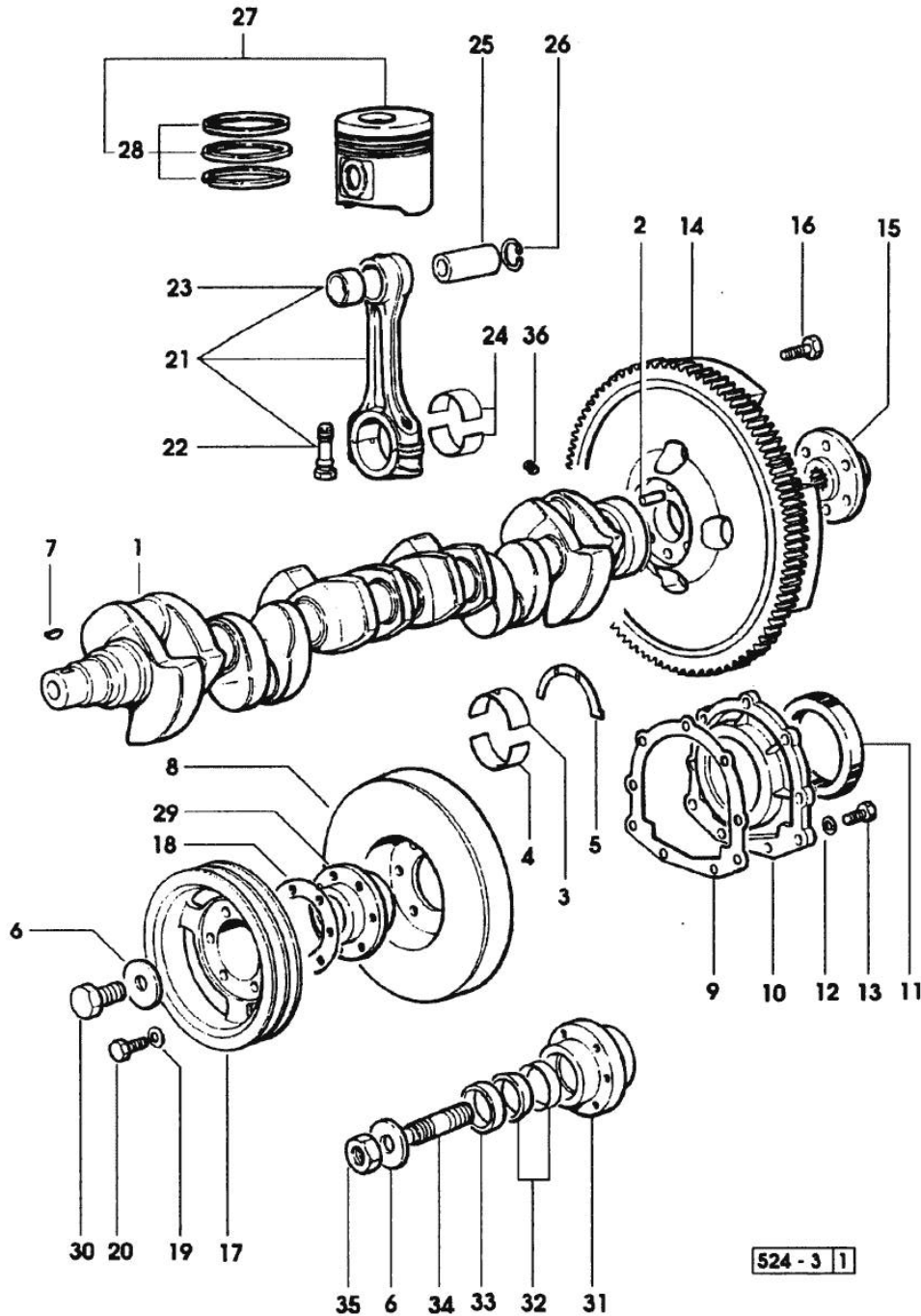


Fig.	P/n	QTY	Name
25	0.078.1236.0	6	piston pin Ø 18 / Ø 35 / L = mm 86
26	2.1411.014.1	12	circlip 35
27	0.086.0060.6/10	6	complete piston
28	0.086.0052.6	6	piston ring set
29	0.007.0896.0/10	1	hub
			1147 <-
29	0.007.1187.0	1	hub
			-> 1148
30	2.0399.144.7	1	screw m 20 p.1.5x51
31	0.007.0894.0/10	1	hub
			1147 <- PER P.T.O. ANTRIORE
31	0.007.1014.0	1	hub
			-> 1148 FOR FRONT PTO
32	0.035.1263.0	2	ring
			-> 1148
32	0.065.1256.0	2	ring 45x52
			1147 <-
33	2.1579.865.0	1	spacer 45.2x51.8x10
			1147 <-
33	2.1579.949.0	1	ring 50.2x56.8x8
			-> 1148
34	2.0439.195.7	1	stud bolt m 20 p.1.5x80
35	2.1019.094.7	1	nut m 20 p.1.5
36	2.3130.001.1	6	plug 1/8" gas

524 - 3 1

Section: ENGINE

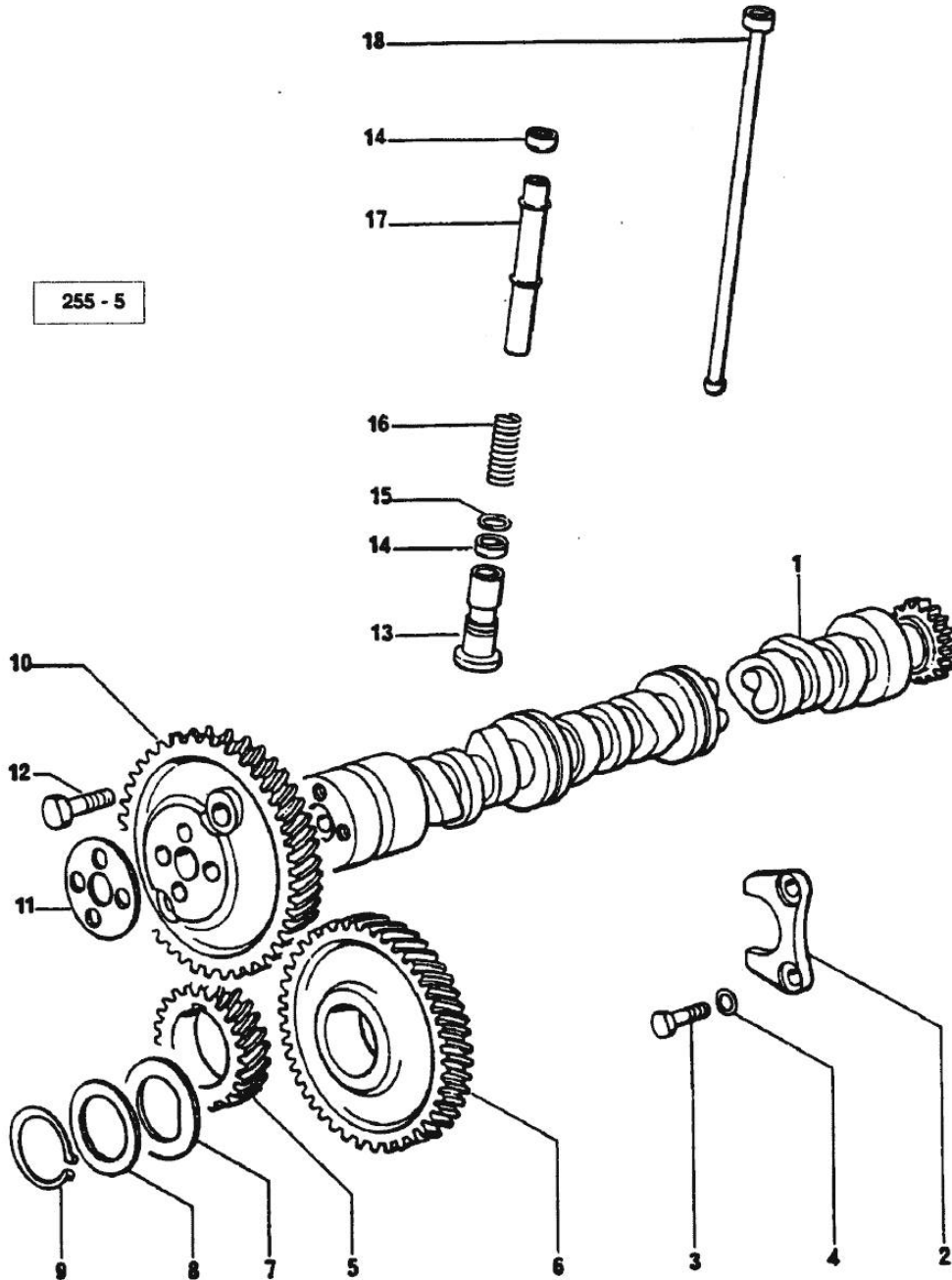
CAMSHAFT

Fig.	P/n	QTY	Name
------	-----	-----	------

Notes:

[115 FORMULA]

1	0.065.1324.0/10	1	gear Z = 32
1	0.075.1310.3/20	1	camshaft
2	0.065.1353.0	1	small plate
3	2.0312.205.2	2	screw
4	2.1480.014.1	2	washer 8
5	0.007.1188.0	1	gear -> 1148 X 115 FORMULA -> 1133 X 135 FORMULA
5	065.1323.0/20	1	- 1147 <- X 115 FORMULA 1132 <- X 135 FORMULA
6	0.007.1177.3	1	gear -> (...) WITH RED IDENTIFICATION TAG
6	0.007.1178.3	1	gear -> (...) WITH YELLOW IDENTIFICATION TAG
6	0.007.1179.3	1	gear -> (...) WITH GREEN IDENTIFICATION TAG
6	065.1325.3/20	1	- (...) <-
6	2.1559.185.0/10	1	bushing
7	065.1351.0	2	-
8	0.065.1352.0	1	shim
9	2.1410.016.1	1	circlip 40
10	0.065.1354.0/10	1	gear z=58
11	0.065.1350.0	1	small disc
12	2.0132.207.2	4	screw m 10 p.1 x 25
13	0.065.1330.0	12	tappets
14	2.1569.114.0/10	24	gasket 14x18.5x8
15	2.1599.437.0	12	shoulder ring
16	2.4019.300.1	12	spring
17	0.065.1332.0	12	sleeve
18	0.065.1331.2	12	rod



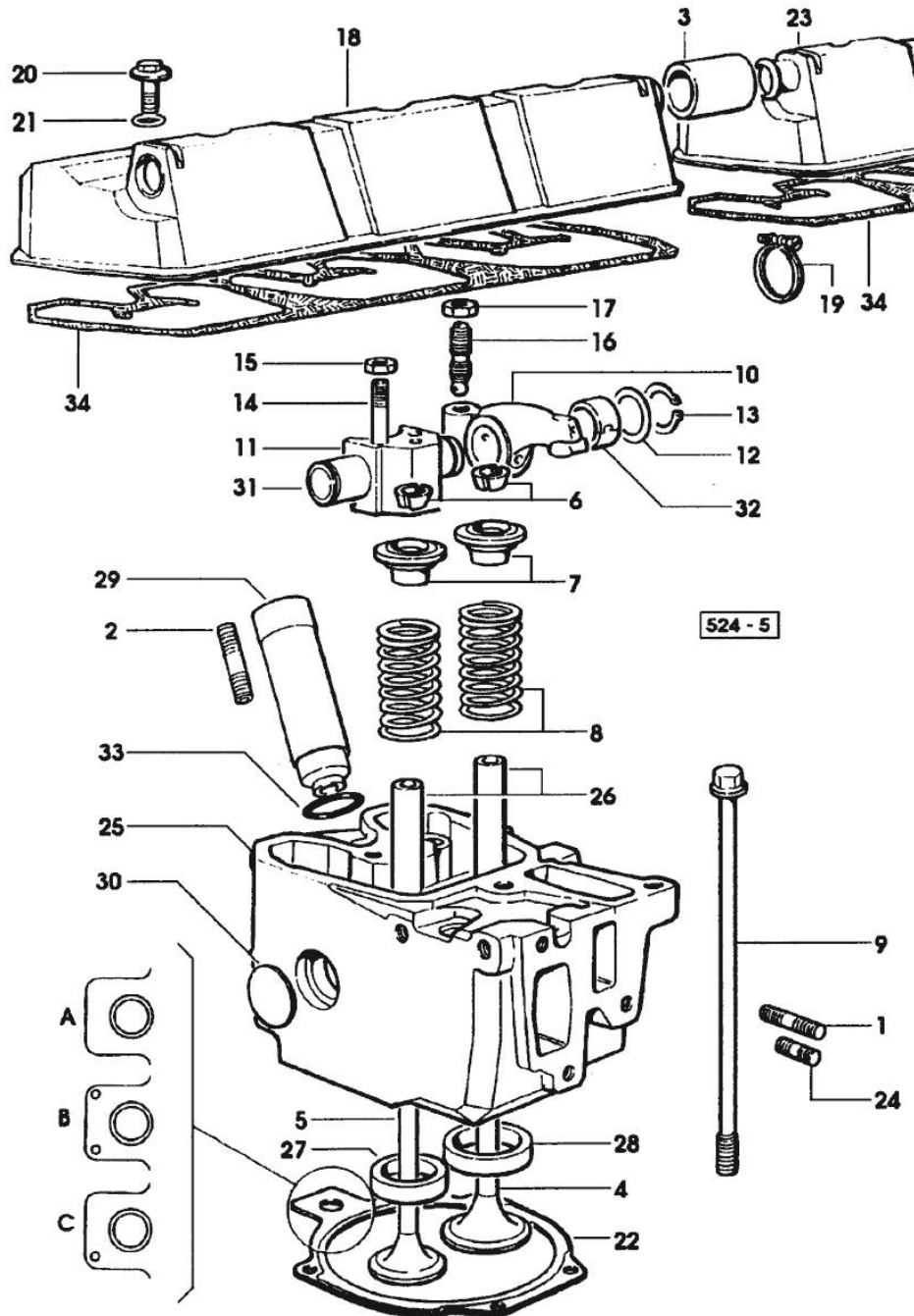
Section: ENGINE
CYLINDER HEAD

Fig.	P/n	QTY	Name
Notes:			
[115 FORMULA]			
1	2.0432.011.7	6	stud bolt m 8 p.1.25 / p.1 x 40
2	2.0432.161.7	6	stud bolt m 10 p.1.5 / p.1.25 x 40
3	0.075.1452.0/10	1	sleeve
4	0.078.1420.0	6	inlet valve X 115 FORMULA
4	0.081.1420.0	6	inlet valve Ø mm 9 X 135 FORMULA
5	0.066.1421.0	6	exhaust valve
6	0.074.1423.0	12	conical valve cotter
7	0.066.1425.0	12	cup
8	2.4019.287.0	12	spring
9	0.066.1443.0/10	24	screw
10	0.066.1432.0	6	rocker arm
11	0.066.1430.0	6	support
12	2.1599.432.0	12	shoulder ring
13	2.1410.055.1	12	circlip 19
14	2.0432.163.7	6	stud bolt m 10 p.1.5 / p.1.25 x 45
15	2.1011.421.2	12	nut m 10 p.1.25
16	0.021.1434.0	12	screw
17	2.1011.405.2	12	nut m 8 p.1
18	0.078.1440.3	1	cover
18	2.3171.008.4	1	plug 20
19	2.6859.091.0	2	clamp
20	2.0399.130.2	6	screw m 8 x 30
21	2.1539.073.0	6	special oil seal 14x1.78
22	0.078.1451.0/30	6	gasket "A"
22	0.078.1452.0/20	6	gasket "B"
22	0.078.1453.0/30	6	gasket "C"
23	0.078.1450.3	1	cover
24	2.0432.005.7	6	stud bolt m 8 p.1.5 / p.1 x 25
25	0.078.1410.3/60	6	engine head
26	0.066.1416.0	12	valve guide
27	0.066.1427.0	6	valve seat
28	0.078.1426.0	6	valve seat
29	0.066.1413.0	6	bush
30	2.3170.012.1	12	expansion plug 30
31	0.066.1431.0	6	pin
32	2.1559.021.0/40	6	bushing 15x19x22
33	2.1530.056.0	6	oil seal 21.82 x 3.53
34	0.069.1450.0/20	2	gasket

Buy Now



Our support email:

ebooklibonline@outlook.com