

LIGHT ENGINE 80 kW

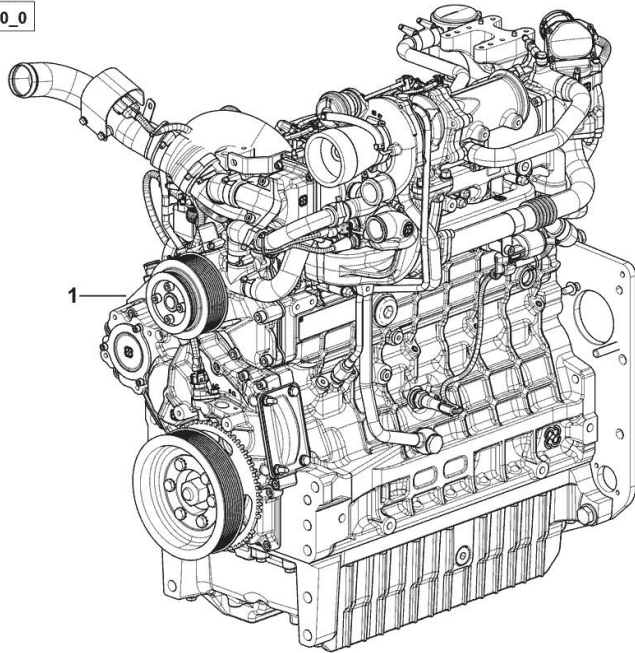
| Fig. | P/n | QTY | Name |
|------|-----|-----|------|
|------|-----|-----|------|

Notes:

- NOT FOR EUROPEAN MARKET [5115.4 G 2WD -> ZKDCH10100TD20001] - NOT FOR EUROPEAN MARKET [5115.4 G 4WD -> ZKDCH10200TD20001]

| | | | |
|---|---------------|---|---|
| 1 | I6.K8105.00.0 | - | engine 80 kW ON ORDERING PLEASE ENGINE NO. REQUIRED |
|---|---------------|---|---|

9_MOT4CYL_00_0



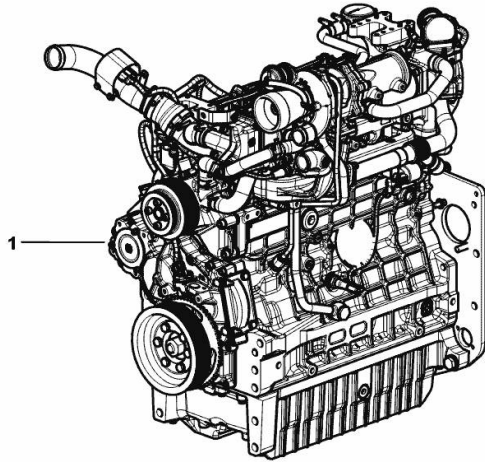
LIGHT ENGINE 80 kW

| Fig. | P/n | QTY | Name |
|------|-----|-----|------|
|------|-----|-----|------|

Notes:

[5115.4 G 2WD -> ZKDCH10100TD20001] [5115.4 G 4WD -> ZKDCH10200TD20001]

| | | | |
|---|---------------|---|---|
| 1 | I6.K8101.00.0 | 1 | engine 80 kW ON ORDERING PLEASE ENGINE NO. REQUIRED |
|---|---------------|---|---|



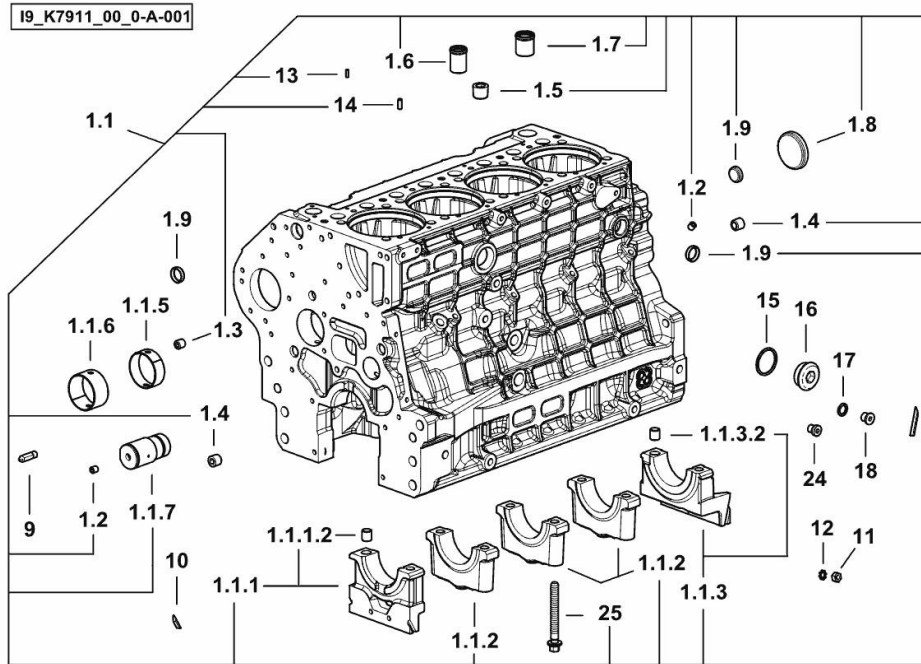
9_MOTBJ2_00_0-A-001

CRANKCASE

| Fig. | P/n | QTY | Name |
|------|-----|-----|------|
|------|-----|-----|------|

Notes:

[5115.4 G 2WD -> ZKDCH10100TD20001] [5115.4 G 4WD -> ZKDCH10200TD20001]



| | | | |
|---------|-----------------|----|----------------------------|
| 1.1 | 0.020.4332.3/20 | 1 | crankcase |
| 1.1.1 | 0.019.5106.3 | 1 | support |
| 1.1.1.2 | 2.1699.165.0 | 1 | bush 12.3x15x16 |
| 1.1.2 | 0.019.5107.7 | 3 | support |
| 1.1.3 | 0.019.5108.3 | 1 | support |
| 1.1.3.2 | 2.1699.165.0 | 1 | bush 12.3x15x16 |
| 1.1.5 | 0.065.1140.0 | 4 | special bushing 59X55X20 |
| 1.1.6 | 0.065.1141.0 | 1 | special bushing 59X55X30 |
| 1.1.7 | 0.019.4412.0 | 1 | pin |
| 1.2 | 2.3130.001.7 | 15 | plug |
| 1.3 | 2.3130.002.7 | 2 | plug 1/4" gas |
| 1.4 | 2.3130.003.7 | 4 | plug 3/8" gas |
| 1.5 | 2.3130.005.7 | 3 | plug |
| 1.6 | 0.019.4146.0 | 1 | tube |
| 1.7 | 0.019.6173.0 | 1 | tube |
| 1.8 | 2.3179.012.0 | 1 | plug 60 |
| 1.9 | 2.3171.010.4 | 5 | plug 25 |
| 9 | 0.019.4415.0/10 | 1 | tube |
| 10 | 0.066.1152.0/10 | 4 | gasket |
| 11 | 2.1011.405.2 | 2 | nut m 8 p.1 |
| 12 | 2.1470.004.2 | 4 | lock washer 8 |
| 13 | 2.1651.305.0 | 4 | pin 4 x 12 |
| 14 | 2.1651.507.0 | 4 | pin 6 x 16 |
| 15 | 2.1560.027.0 | 1 | copper gasket 38.3x44 |
| 16 | 2.3139.031.2 | 1 | plug |
| 17 | 2.1560.010.0 | 1 | gasket 14.2 x 20 |
| 18 | 2.3199.292.0 | 1 | plug 1/4" gas |
| 24 | 2.3139.024.2 | 1 | plug m 12 p.1.5 (-> 20001) |
| 25 | 2.0399.367.7 | 10 | screw |

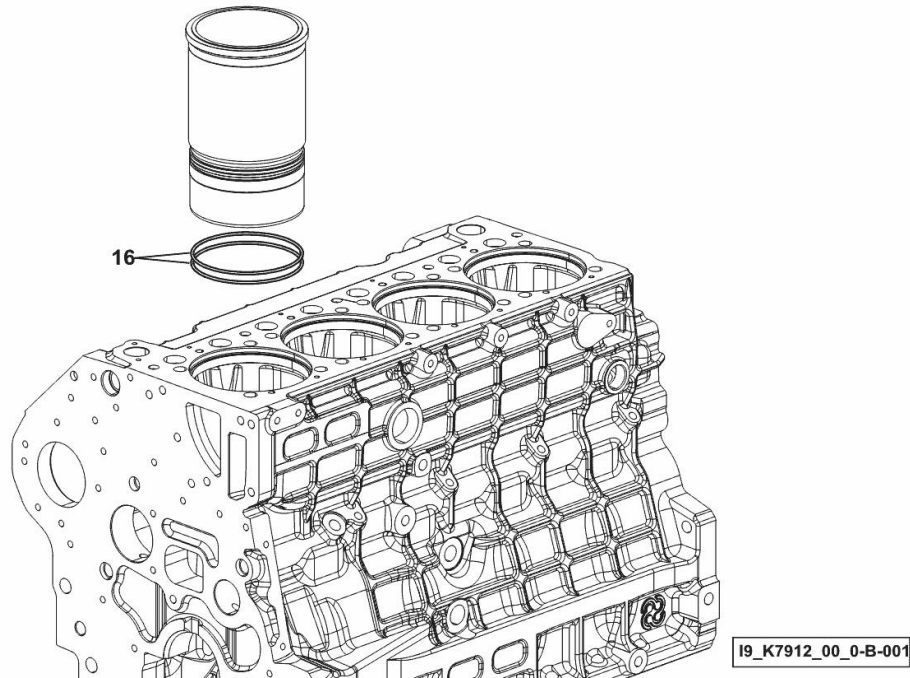
CYLINDER LINER O-RING

| Fig. | P/n | QTY | Name |
|------|-----|-----|------|
|------|-----|-----|------|

Notes:

[5115.4 G 2WD -> ZKDCH10100TD20001] [5115.4 G 4WD -> ZKDCH10200TD20001]

| | | | |
|----|--------------|---|------------------------------|
| 16 | 2.1539.259.0 | 8 | special oil seal 107.62x2.62 |
|----|--------------|---|------------------------------|



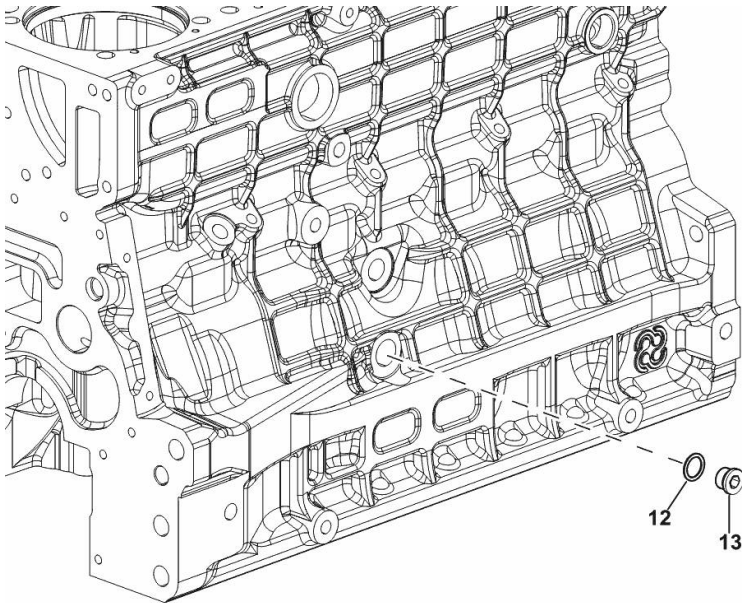
SIDE PLUG FOR CYLINDER BLOCK

| Fig. | P/n | QTY | Name |
|------|-----|-----|------|
|------|-----|-----|------|

Notes:

- FOR TYPES WITH TRAILER AIR BRAKING [5115.4 G 2WD -> ZKDCH10100TD20001] - FOR TYPES WITH TRAILER AIR BRAKING [5115.4 G 4WD -> ZKDCH10200TD20001]

| | | | |
|----|--------------|---|------------------|
| 12 | 2.1560.018.0 | 1 | gasket 22.2 x 29 |
| 13 | 2.3120.102.0 | 1 | plug |



9_K8015_03_0-B-001

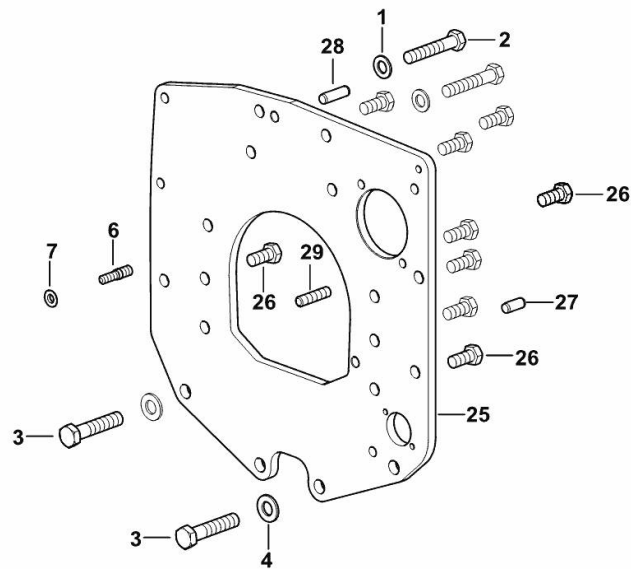
MONOBLOC ENGINE-GEARBOX CONNECTING FLANGE

| Fig. | P/n | QTY | Name |
|------|-----|-----|------|
|------|-----|-----|------|

Notes:

[5115.4 G 2WD -> ZKDCH10100TD20001] [5115.4 G 4WD -> ZKDCH10200TD20001]

| | | | |
|----|-----------------|---|-----------------------------------|
| 1 | 2.1475.005.2 | 2 | washer 14 |
| 2 | 2.0112.524.2 | 2 | screw m 14 p.2 x 75 |
| 3 | 2.0112.624.2 | 2 | screw m 16 p.2 x 75 |
| 4 | 2.1475.006.2 | 2 | spring washer 16 |
| 6 | 2.0439.250.7 | 1 | stud bolt m 12 / m 10 x 30 |
| 7 | 0.011.9294.0/10 | 1 | bush |
| 25 | 0.019.1488.0 | 1 | flange |
| 26 | 2.0112.511.2 | 8 | screw m 14 p.2 x 30 |
| 27 | 2.1651.912.0 | 2 | cylindrical plug 12x28 |
| 28 | 2.1651.917.0 | 1 | cylindrical plug 12x40 |
| 29 | 2.0432.257.7 | 1 | stud bolt m 12 p.1.75 - 1.25 x 30 |



[9_K7411_01_0-A-001]

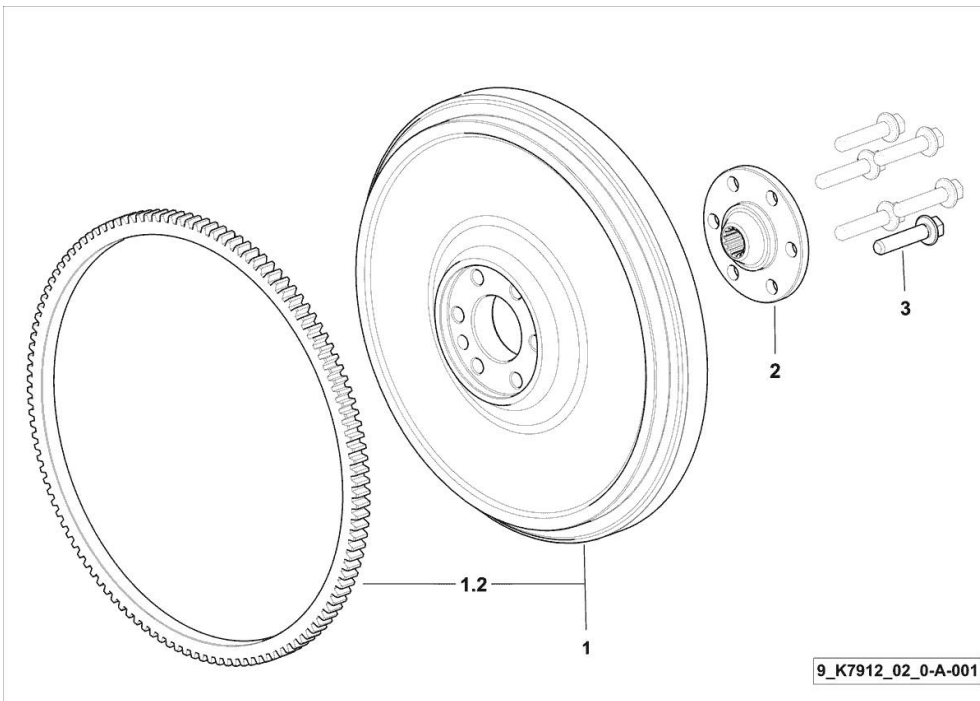
ENGINE FLYWHEEL

| Fig. | P/n | QTY | Name |
|------|-----|-----|------|
|------|-----|-----|------|

Notes:

[5115.4 G 2WD -> ZKDCH10100TD20001] [5115.4 G 4WD -> ZKDCH10200TD20001]

| | | | |
|-----|-----------------|---|---------------------|
| 1 | 0.019.2098.3 | 1 | flywheel |
| 1.2 | 0.065.1242.0 | 1 | crown wheel Z = 123 |
| 2 | 0.255.2525.0/10 | 1 | flange |
| 3 | 2.0399.371.0 | 6 | screw |



Buy Now



Our support email:

ebooklibonline@outlook.com