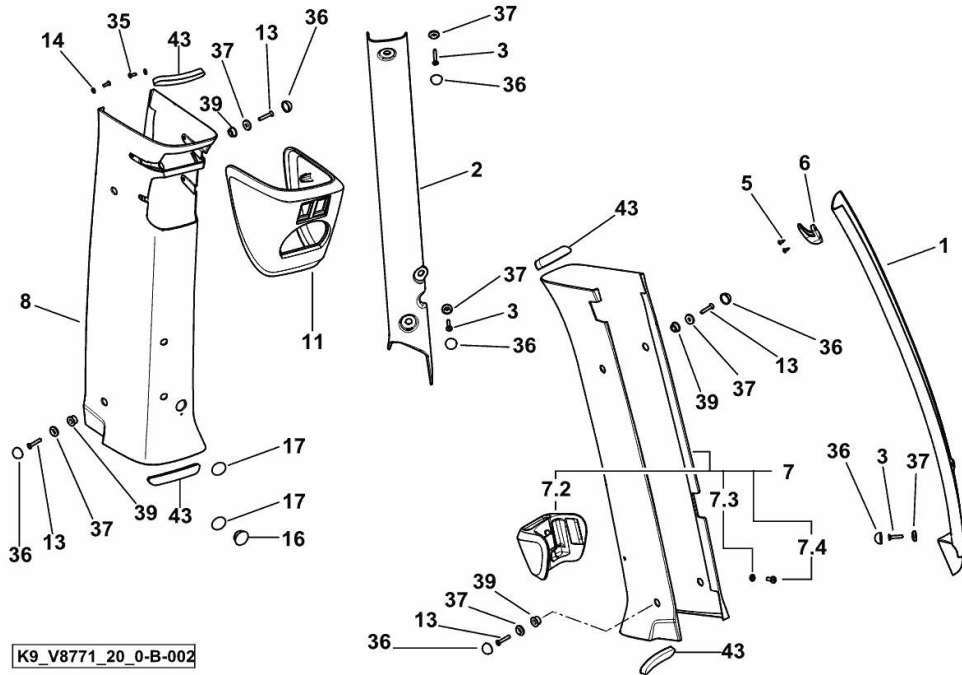


REAR UPRIGHT COVER SX/LH/LI - DX/RH/RE

Fig.	P/n	QTY	Name
------	-----	-----	------

Notes:

FOR TYPES WITH FIXED FRONT WINDSCREEN [6120.4 TTV AGROTRON]



K9_V8771_20_0-B-002

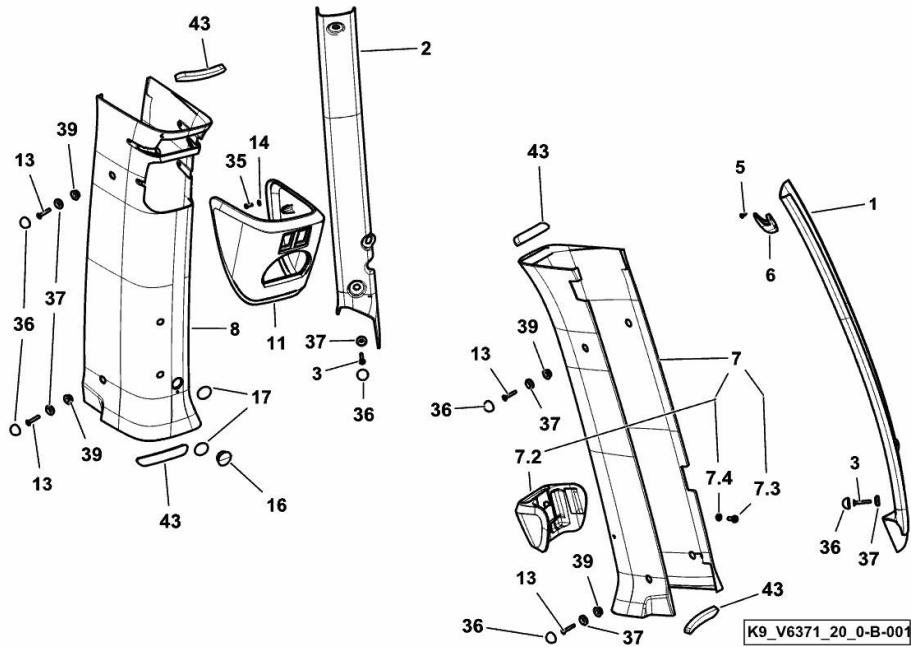
1	0.019.4837.0/20	1	lining sx/lh/li
2	0.019.4836.0/20	1	lining dx/rh/re
3	2.0351.559.3	9	screw m 4.8x32
5	2.0350.253.3	2	screw m 3.5 x 9.5 AB
6	0.007.6732.0	1	coat hanger
7	0.020.2219.4	1	lining sx/lh/li
7.2	0.019.4840.2/10	1	supporting piece
7.3	2.0332.406.3	1	screw m 6 p.1.0 x 16
7.4	2.1310.002.2	1	flat washer 6.4x12.5
8	0.019.1292.0/20	1	lining dx/rh/re
11	0.019.1291.0	1	cover
13	2.0342.108.3	8	screw m 5 p.0.8x30
14	2.1310.028.2	7	flat washer
16	0.020.8015.0	1	plug
17	04425759	2	cap
35	2.0361.407.2	4	screw 4 x 12
36	0.020.0575.0	17	cap
37	0.020.0576.0	17	washer
39	0.020.0694.0	8	spacer
43	0.020.8165.0	4	gasket

REAR UPRIGHT COVER SX/LH/LI - DX/RH/RE

Fig.	P/n	QTY	Name
------	-----	-----	------

Notes:

FOR TYPES W/ OPENABLE FRONT WINDSCREEN [6120.4 TTV AGROTRON]



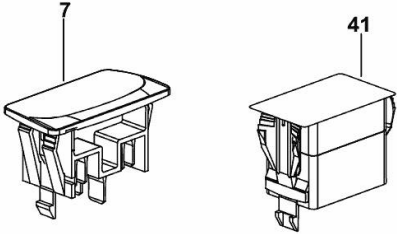
1	0.019.4837.0/20	1	lining sx/lh/li
2	0.019.4836.0/20	1	lining dx/rh/re
3	2.0351.559.3	9	screw m 4.8x32
5	2.0350.253.3	2	screw m 3.5 x 9.5 AB
6	0.007.6732.0	1	coat hanger
7	0.020.2219.4	1	lining sx/lh/li
7.2	0.019.4840.2/10	1	supporting piece
7.3	2.0332.406.3	1	screw m 6 p.1.0 x 16
7.4	2.1310.002.2	1	flat washer 6.4x12.5
8	0.019.1292.0/20	1	lining dx/rh/re
11	0.019.1291.0	1	cover
13	2.0342.108.3	8	screw m 5 p.0.8x30
14	2.1310.028.2	7	flat washer
16	0.020.8015.0	1	plug
17	04425759	2	cap
35	2.0361.407.2	4	screw 4 x 12
36	0.020.0575.0	17	cap
37	0.020.0576.0	17	washer
39	0.020.0694.0	8	spacer
43	0.020.8165.0	4	gasket

PLUGS

Fig.	P/n	QTY	Name
------	-----	-----	------

Notes:
[6120.4 TTV AGROTRON]

7	0.019.3403.0	1	plug
41	0.019.8442.0	3	plug



K9_V7284_00_0-F-001

6120.4 TTV AGROTRON

Section: G0 - BODYWORK - CAB

Ref: G0.06.22 (1)

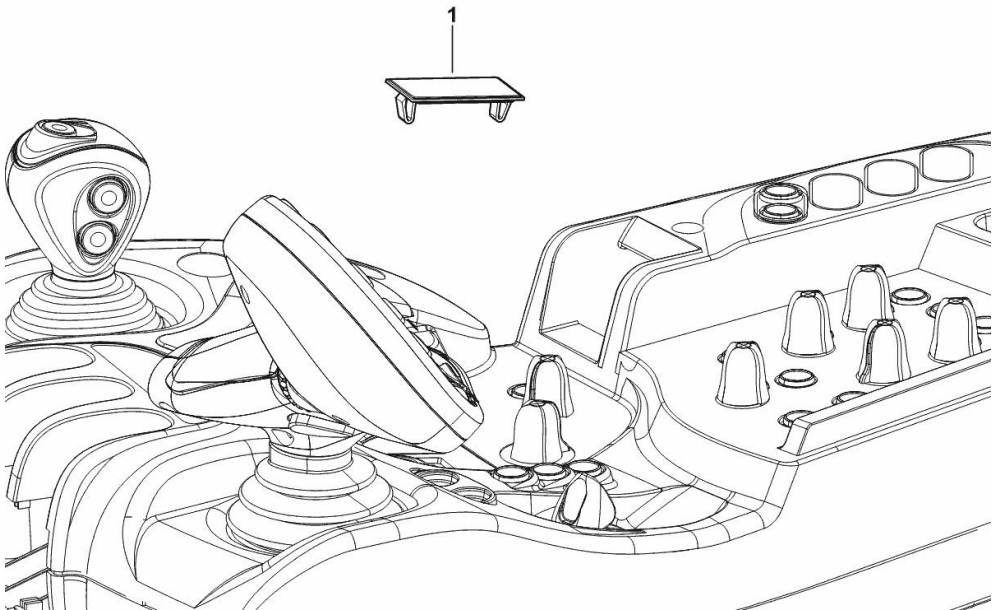
BLANKING PLUG FOR TYPES WITHOUT FRONT PTO

Fig.	P/n	QTY	Name
------	-----	-----	------

Notes:
[6120.4 TTV AGROTRON]

1	0.019.8662.0	1	plug
---	--------------	---	------

K9_V8768_05_0-A-001

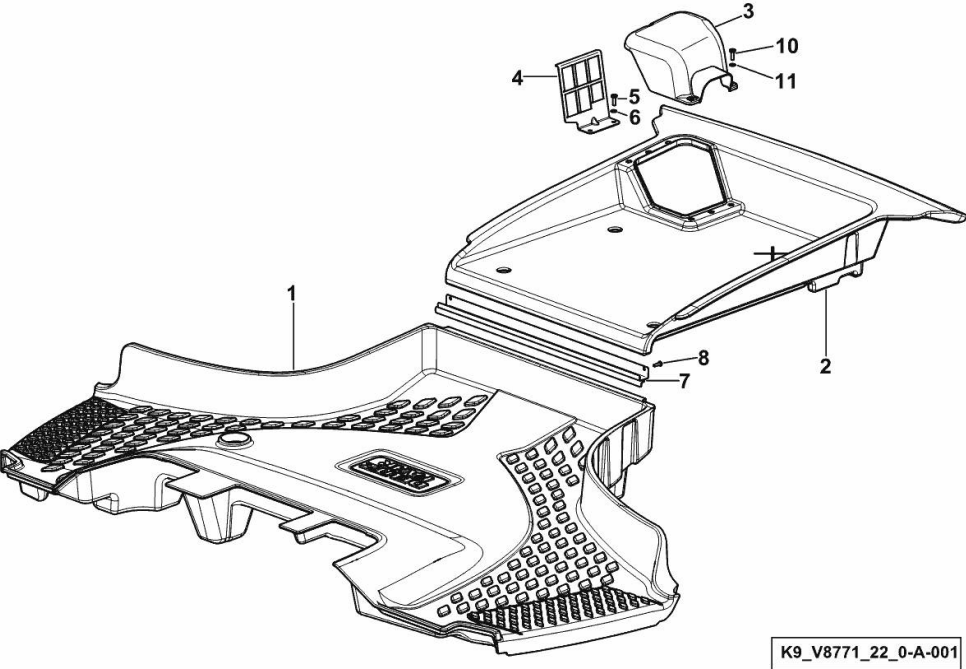


CAB FLOOR COVERING

Fig.	P/n	QTY	Name
------	-----	-----	------

Notes:
 [6120.4 TTV AGROTRON]

1	0.019.2406.2/30	1	mat
2	0.019.2407.2/20	1	mat
3	0.019.6667.0/10	1	cover
4	0.019.6656.0	1	bracket
5	2.0330.306.2	5	screw m 5 x 16
6	2.1310.001.2	5	flat washer 5.3 x 10
7	0.019.6726.2/20	1	sealing section
8	04426906	2	screw 4.2x16
10	2.0330.406.2	3	screw m 6 p.1.0 x 16
11	2.1310.002.2	3	flat washer 6.4x12.5



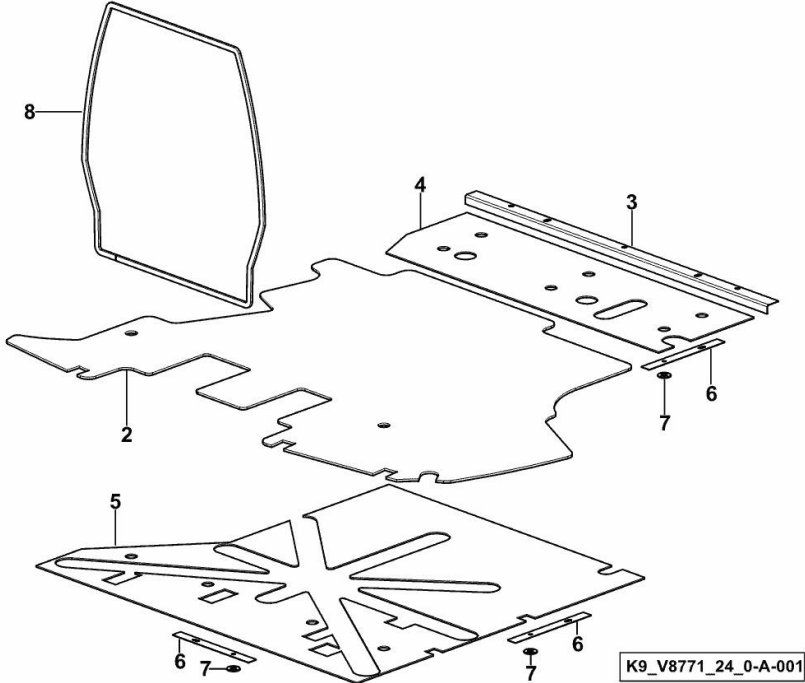
K9_V8771_22_0-A-001

SOUND-ABSORBING PARTS

Fig.	P/n	QTY	Name
------	-----	-----	------

Notes:
 [6120.4 TTV AGROTRON] 50003 <-

2	0.019.6351.0/10	1	sound deadening
3	04451284	1	plate
4	04439961	1	sound deadening
5	04439960	1	sound deadening
6	04429905	8	shim
7	04422852	18	washer
8	0.017.1151.0	1	gasket

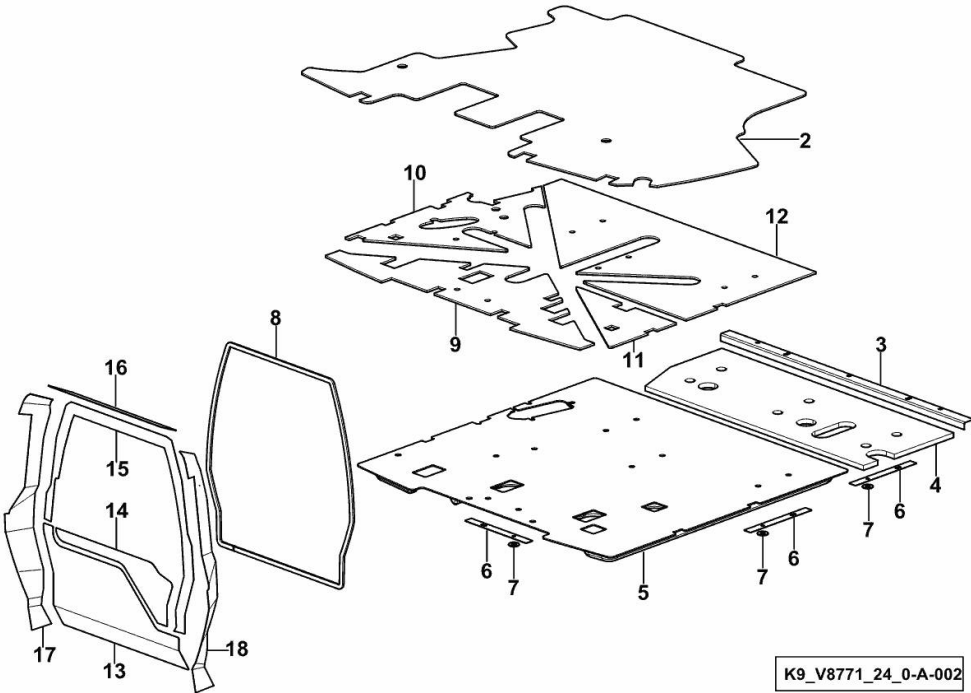


SOUND-ABSORBING PARTS

Fig.	P/n	QTY	Name
------	-----	-----	------

Notes:
 [6120.4 TTV AGROTRON] -> 50004

2	0.019.6351.0/10	1	sound deadening
3	04451284	1	plate
4	0.021.8781.0	1	sound deadening
5	0.020.6583.0	1	sound deadening
6	04429905	8	shim
7	04422852	18	washer
8	0.017.1151.0	1	gasket
9	0.020.6585.0	1	sound deadening
10	0.020.6588.0	1	sound deadening
11	0.020.6589.0	1	sound deadening
12	0.020.6590.0	1	sound deadening
13	0.020.6593.0	1	sound deadening
14	0.020.6595.0	1	sound deadening
15	0.020.6596.0	1	sound deadening
16	0.020.6607.0	1	sound deadening
17	0.020.6608.0	1	sound deadening
18	0.020.6609.0	1	sound deadening



Buy Now



Our support email:

ebooklibonline@outlook.com