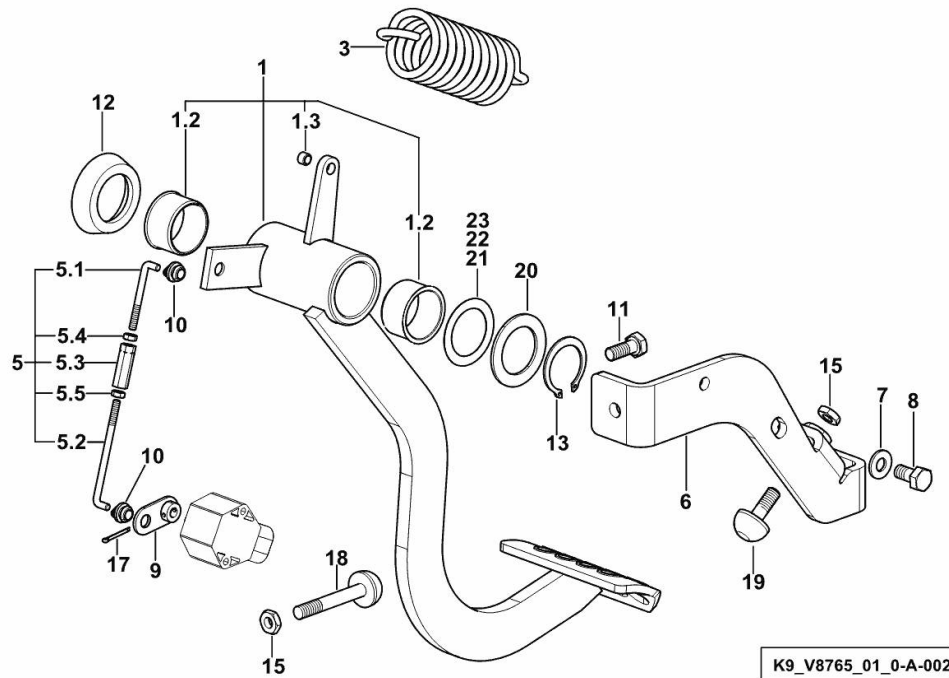


CLUTCH CONTROL

Fig.	P/n	QTY	Name
------	-----	-----	------

Notes:

[6130.4 TTV AGROTRON] -> 50002



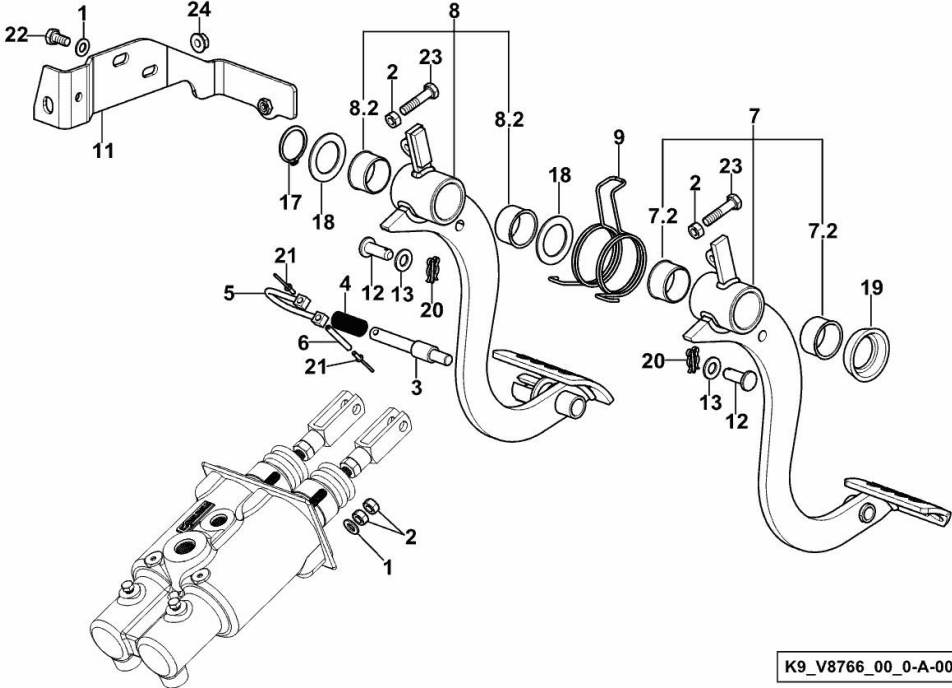
1	0.019.7381.4/20	1	pedal
1.2	2.1559.117.0/20	2	special bushing 30x34x20
1.3	04429987	1	special bushing 5x7x5
3	2.4049.239.2/10	1	spring
5	04427323.4	1	rod
5.1	04426894	1	stay
5.2	04419486	1	stay
5.3	04419487	1	nut m 4
5.4	2.1011.101.2	1	nut
5.5	04419525	1	nut m 4
6	0.019.4064.3/10	1	bracket
7	2.1310.004.2	1	flat washer 8.4x17
8	2.0114.205.2	1	screw m 8 p.1.25 x 16
9	04429512	1	lever
10	04412894	2	interlock
11	2.0114.207.2	1	screw m 8 p.1.25 x 20
12	2.1599.546.0	1	washer 30.5
13	2.1410.012.1	1	circlip 30
15	2.1011.105.2	2	nut m 8 p.1.25
17	01143001	1	split pin 2x16
18	04386546/10	1	contact surface m 8 x 55
19	04384850	1	contact surface m 8 x 25
20	2.1599.268.0	1	shoulder ring
21	04429740	0.04	shim mm 0,5
22	04429741	0.03	shim mm 1.0
23	04429742	0.03	shim mm 0.3

BRAKE CONTROLS

Fig.	P/n	QTY	Name
------	-----	-----	------

Notes:
[6130.4 TTV AGROTRON]

1	2.1310.004.2	6	flat washer 8.4x17
2	2.1011.105.2	10	nut m 8 p.1.25
3	0.014.1656.0/20	1	pin
4	2.4019.586.2	1	spring
5	0.014.1658.2	1	u bolt
6	2.1630.515.0	1	roll pin 5 x 40
7	0.018.4851.4	1	pedal sx/lh/li
7.2	2.1559.117.0/20	2	special bushing 30x34x20
8	0.018.4848.4	1	pedal dx/rh/re
8.2	2.1559.117.0/20	1	special bushing 30x34x20
9	0.013.7336.0	1	spring
11	0.019.3773.3/10	1	bracket
12	04429518	2	pin
13	2.1310.006.2	2	flat washer 10.5x21
17	2.1410.012.1	1	circlip 30
18	2.1599.268.0	2	shoulder ring
19	2.1599.546.0	1	washer 30.5
20	01175876	2	split pin
21	2.1855.010.0	2	rivet 3.4
22	2.0114.205.2	2	screw m 8 p.1.25 x 16
23	2.0114.213.2	2	screw m 8 x 35
24	2.1071.004.2	1	special nut m 8



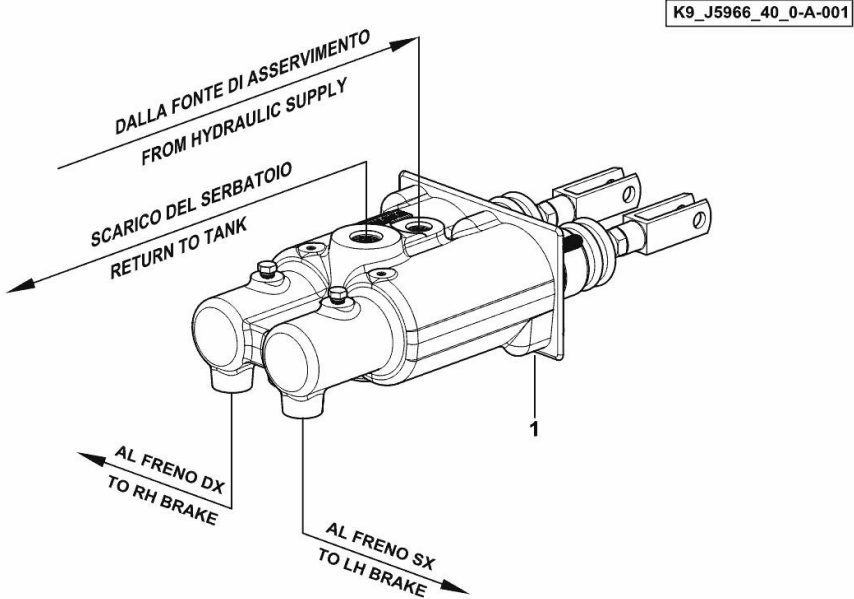
K9_V8766_00_0-A-001

BRAKE CYLINDER

Fig.	P/n	QTY	Name
------	-----	-----	------

Notes:
 [6130.4 TTV AGROTRON]

1	2.3729.725.0/10	1	brake pump
---	-----------------	---	------------

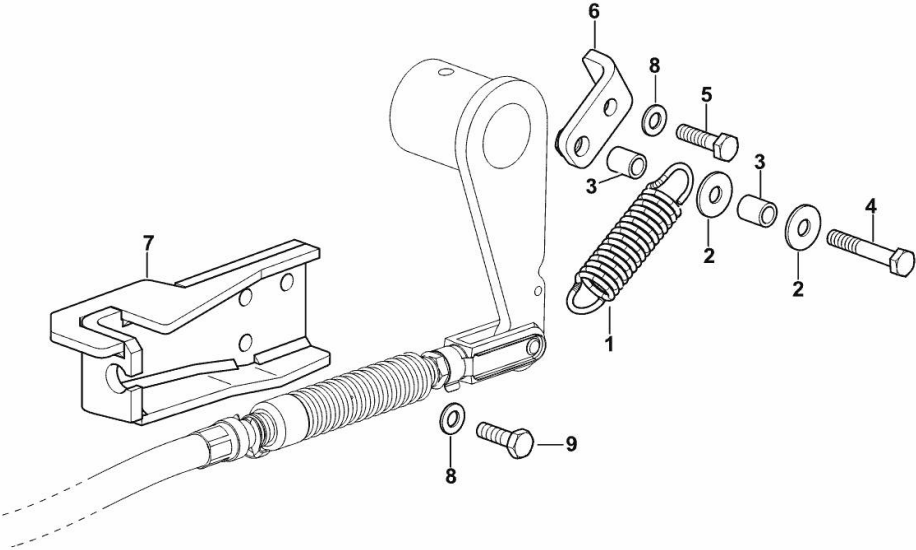


HAND BRAKE

Fig.	P/n	QTY	Name
------	-----	-----	------

Notes:
 [6130.4 TTV AGROTRON]

1	04431563	1	spring
2	2.1312.004.2	2	washer 8x24x2
3	04355272	2	bushing 9x13x16
4	2.0112.219.2	1	screw m 8 p.1.25x55
5	2.0114.211.2	1	screw m 8 x 30
6	0.019.5375.3	1	bracket
7	0.019.3924.0/20	1	bracket
8	2.1310.004.2	4	flat washer 8.4x17
9	2.0112.209.2	3	screw m 8 p 1.25 x 25



K9_V8366_04_0-A-002

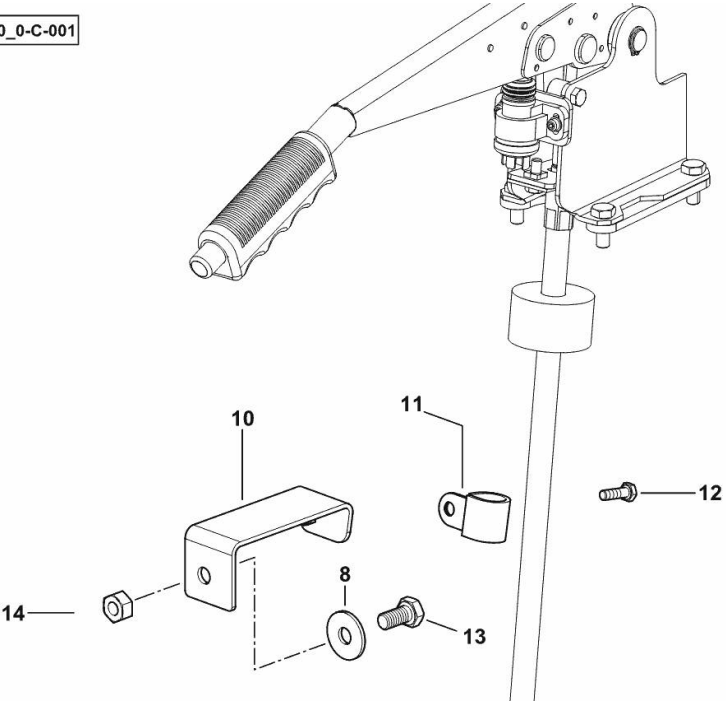
BRACKET FOR HANDBRAKE

Fig.	P/n	QTY	Name
------	-----	-----	------

Notes:
 [6130.4 TTV AGROTRON]

8	2.1312.005.2	3	washer 10.2
10	0.019.1086.3	1	bracket
11	01172635	1	fascia
12	2.0112.007.2	1	screw m 6 p.1 x 20
13	2.0112.307.2	1	screw m 10 p.1.5 x 20
14	2.1011.106.2	1	nut m 10 p.1.5

K9_S3188_50_0-C-001

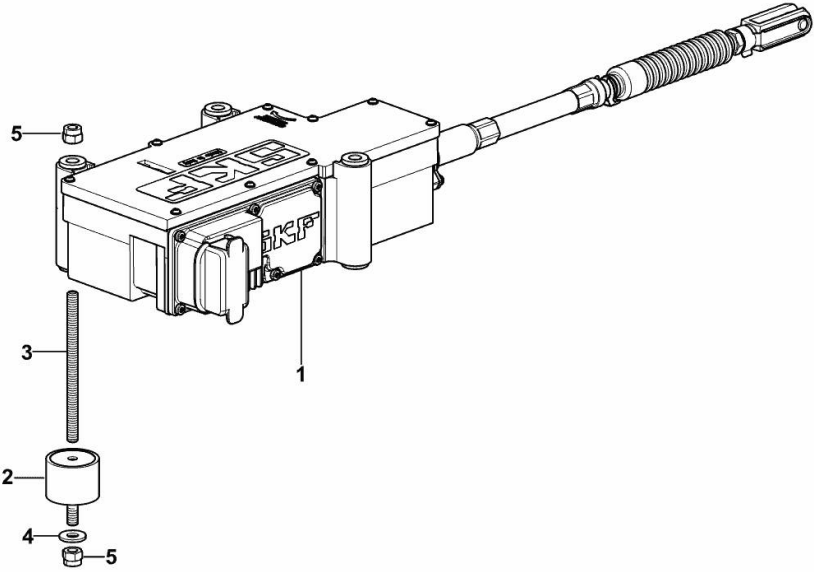


PARK SYSTEM - BRAKE

Fig.	P/n	QTY	Name
------	-----	-----	------

Notes:
 [6130.4 TTV AGROTRON]

1	0.018.6330.4/10	1	control
2	0.010.1054.2/10	3	support
3	2.0399.335.2/10	3	stud bolt m 8 x 120
4	2.1399.049.2	3	washer 8.4x20x2
5	2.1120.005.2	6	nut m 8 p.1.25



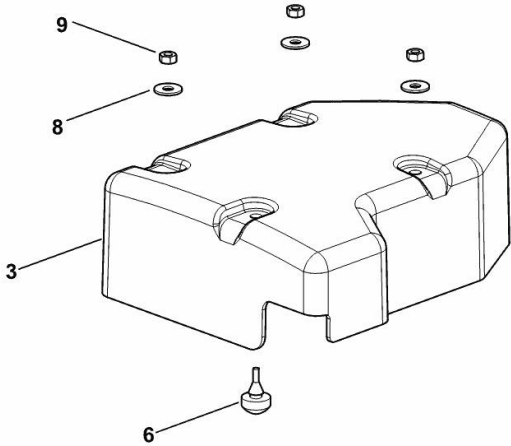
K9_V8766_06_0-A-001

PARK SYSTEM - BRAKE

Fig.	P/n	QTY	Name
------	-----	-----	------

Notes:
 [6130.4 TTV AGROTRON]

3	0.016.2807.0/20	1	cover
6	0.010.1532.0	1	block
8	2.1312.004.2	3	washer 8x24x2
9	2.1011.405.2	3	nut m 8 p.1



K9_J5766_04_0-A-002

Buy Now



Our support email:

ebooklibonline@outlook.com