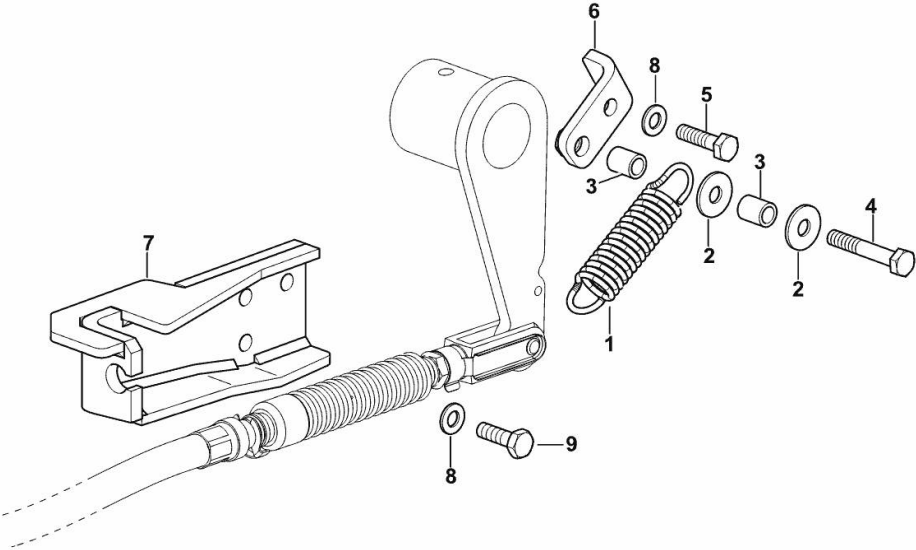


HAND BRAKE

Fig.	P/n	QTY	Name
------	-----	-----	------

Notes:
 [6140.4 TTV AGROTRON]

1	04431563	1	spring
2	2.1312.004.2	2	washer 8x24x2
3	04355272	2	bushing 9x13x16
4	2.0112.219.2	1	screw m 8 p.1.25x55
5	2.0114.211.2	1	screw m 8 x 30
6	0.019.5375.3	1	bracket
7	0.019.3924.0/20	1	bracket
8	2.1310.004.2	4	flat washer 8.4x17
9	2.0112.209.2	3	screw m 8 p 1.25 x 25



K9_V8366_04_0-A-002

BRACKET FOR HANDBRAKE

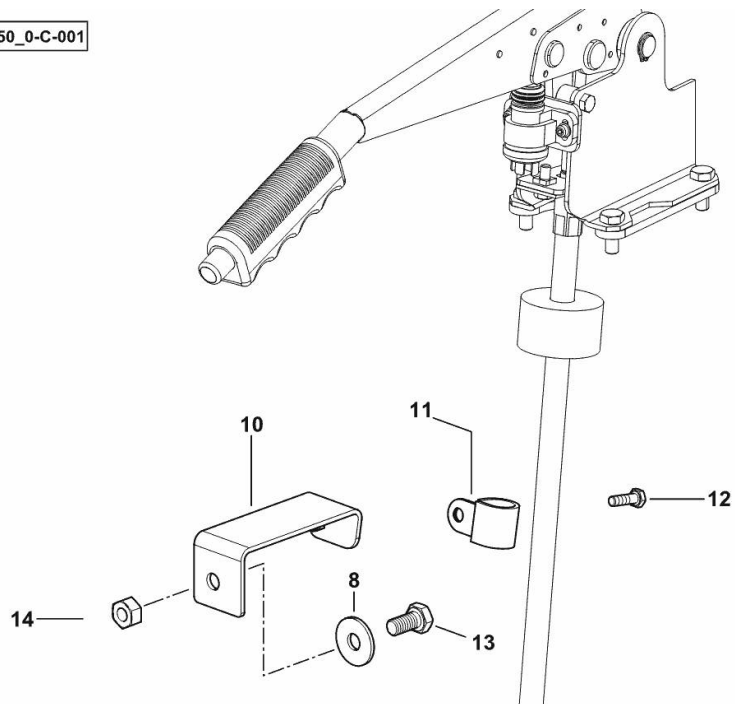
Fig.	P/n	QTY	Name
------	-----	-----	------

Notes:

[6140.4 TTV AGROTRON]

8	2.1312.005.2	3	washer 10.2
10	0.019.1086.3	1	bracket
11	01172635	1	fascia
12	2.0112.007.2	1	screw m 6 p.1 x 20
13	2.0112.307.2	1	screw m 10 p.1.5 x 20
14	2.1011.106.2	1	nut m 10 p.1.5

K9_S3188_50_0-C-001

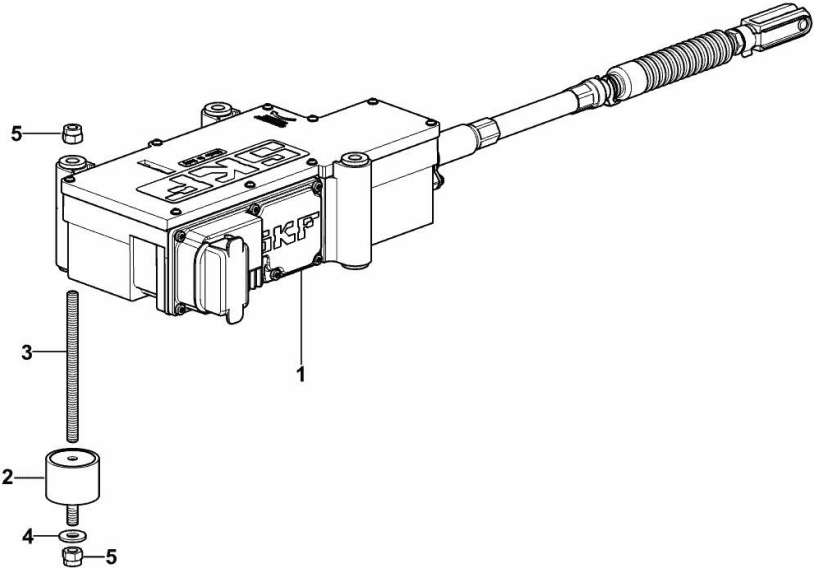


PARK SYSTEM - BRAKE

Fig.	P/n	QTY	Name
------	-----	-----	------

Notes:
 [6140.4 TTV AGROTRON]

1	0.018.6330.4/10	1	control
2	0.010.1054.2/10	3	support
3	2.0399.335.2/10	3	stud bolt m 8 x 120
4	2.1399.049.2	3	washer 8.4x20x2
5	2.1120.005.2	6	nut m 8 p.1.25



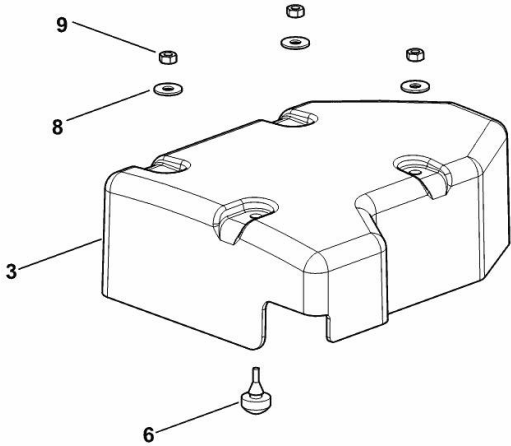
K9_V8766_06_0-A-001

PARK SYSTEM - BRAKE

Fig.	P/n	QTY	Name
------	-----	-----	------

Notes:
 [6140.4 TTV AGROTRON]

3	0.016.2807.0/20	1	cover
6	0.010.1532.0	1	block
8	2.1312.004.2	3	washer 8x24x2
9	2.1011.405.2	3	nut m 8 p.1



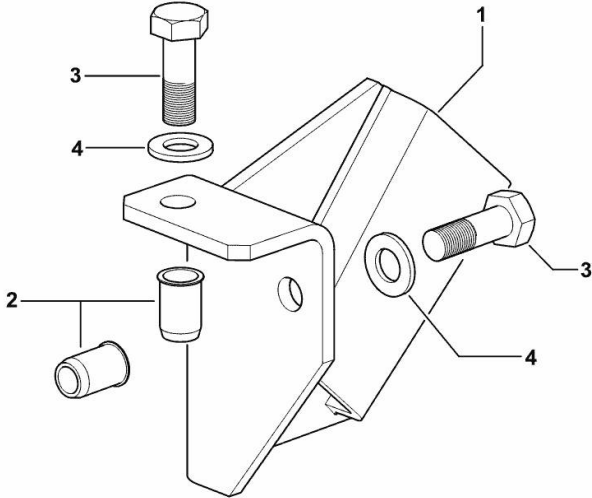
K9_J5766_04_0-A-002

HANDBRAKE SUPPORT FOR TRAILER

Fig.	P/n	QTY	Name
------	-----	-----	------

Notes:
 - ITALY [6140.4 TTV AGROTRON]

1	0.011.4447.2	1	support
2	2.1142.012.2	2	insert m10
3	2.0112.311.2	2	screw m 10 p.1.5 x 30
4	2.1475.003.2	2	washer 10



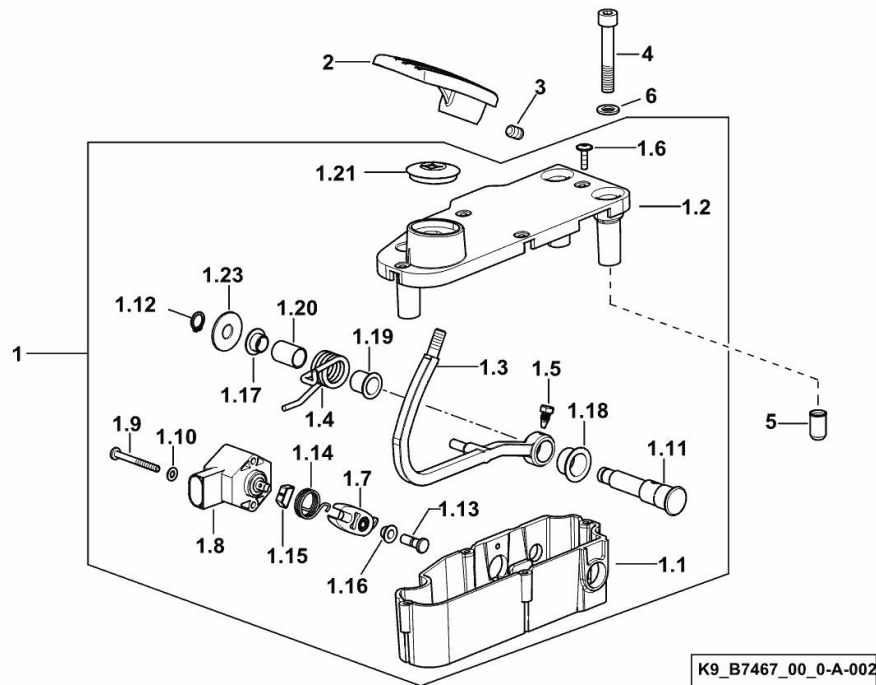
K9_11344_20_0-A-001

ELECTRONIC ACCELERATOR CONTROL

Fig.	P/n	QTY	Name
------	-----	-----	------

Notes:

[6140.4 TTV AGROTRON]



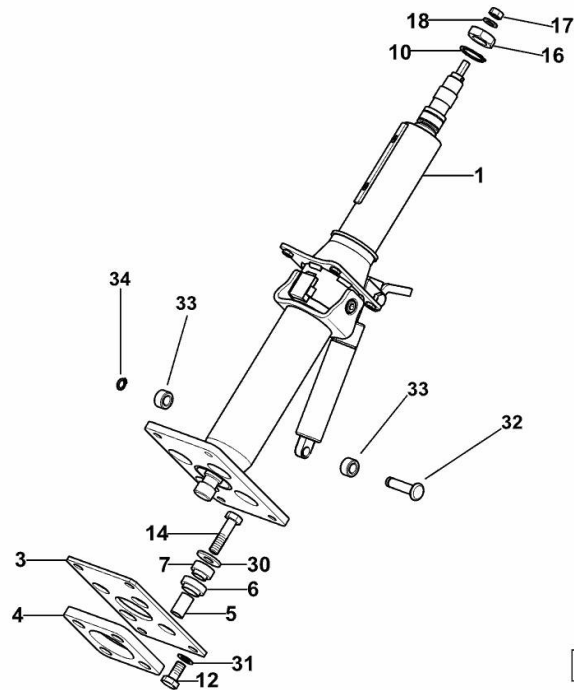
1	0.012.6571.4/60	1	accel. pedal
1.1	0.010.8694.2/30	1	box
1.2	0.019.2583.0	1	cover
1.3	0.019.0829.0	1	lever
1.4	2.4099.115.2/30	1	spring
1.5	2.0399.272.2	1	screw m 5
1.6	2.0363.105.2	4	screw m 4
1.7	0.011.6578.0	1	lever
1.8	04429390/10	1	sensor
1.9	2.0332.211.3	2	screw m 4 x 40
1.10	2.1310.028.2	2	flat washer
1.11	0.011.6028.0/20	1	pin
1.12	2.1410.001.1	1	circlip 10
1.13	2.1699.492.2/20	1	pin
1.14	2.4099.134.2	1	spring
1.15	0.011.3791.0	1	clip
1.16	2.2841.010.0	1	bushing 6x8x6
1.17	2.2841.034.0	1	bushing 10x12x7
1.18	2.2841.071.0	1	bushing 16x18x12
1.19	2.2841.043.0	1	bushing 12 x 14 x 15
1.20	2.2840.042.0	1	bushing 12x14x20
1.21	0.019.3267.0	1	rubber plug
1.23	2.1599.044.2	1	shoulder ring
2	0.010.8696.2/20	1	accel. pedal
3	2.0512.204.7	1	grub screw m 8 p.1.25 x 12
4	2.0312.216.2	3	screw m 8 p.1.25x50
5	2.1142.011.2	3	insert m 8
6	2.1474.009.2	3	spring washer 8

STEERING COLUMN

Fig.	P/n	QTY	Name
------	-----	-----	------

Notes:

[6140.4 TTV AGROTRON]



K9_V8763_01_0-A-001

1	0.019.4200.4/20	1	steering column ☞ 0.019.4200.4/20
3	0.010.7445.0/10	1	plate
4	04355546	1	plate
5	04386557	4	spacer
6	04355695	4	spacer
7	0.018.1722.0	4	spacer
10	2.1410.010.7	1	circlip 25
12	2.0114.307.2	4	screw m 10 x 20, d933
14	2.0114.315.2	4	screw m 10 p.1.5 x 40
16	2.1012.510.7	1	nut m 18 p.1.5
17	2.1011.105.2	1	nut m 8 p.1.25
18	2.1310.004.2	1	flat washer 8.4x17
30	2.1399.039.2/10	4	washer 10 x 25 x 2,5
31	2.1470.006.2	4	lock washer 10
32	0.019.6581.0/30	1	pin (-> 50001)
33	0.019.6582.0/10	2	spacer
34	2.1410.064.7	1	circlip

Buy Now



Our support email:

ebooklibonline@outlook.com