

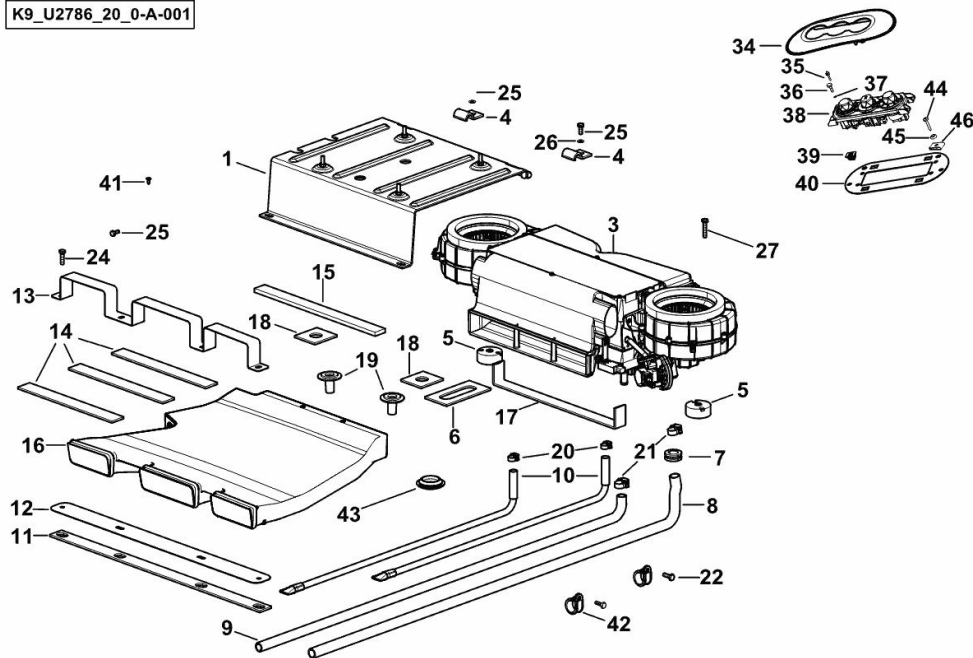
Section: G0 - BODYWORK - CAB
CLIMATE CONTROL SYSTEM

Fig.	P/n	QTY	Name
------	-----	-----	------

Notes:

[6140P Agrottron]

K9_U2786_20_0-A-001



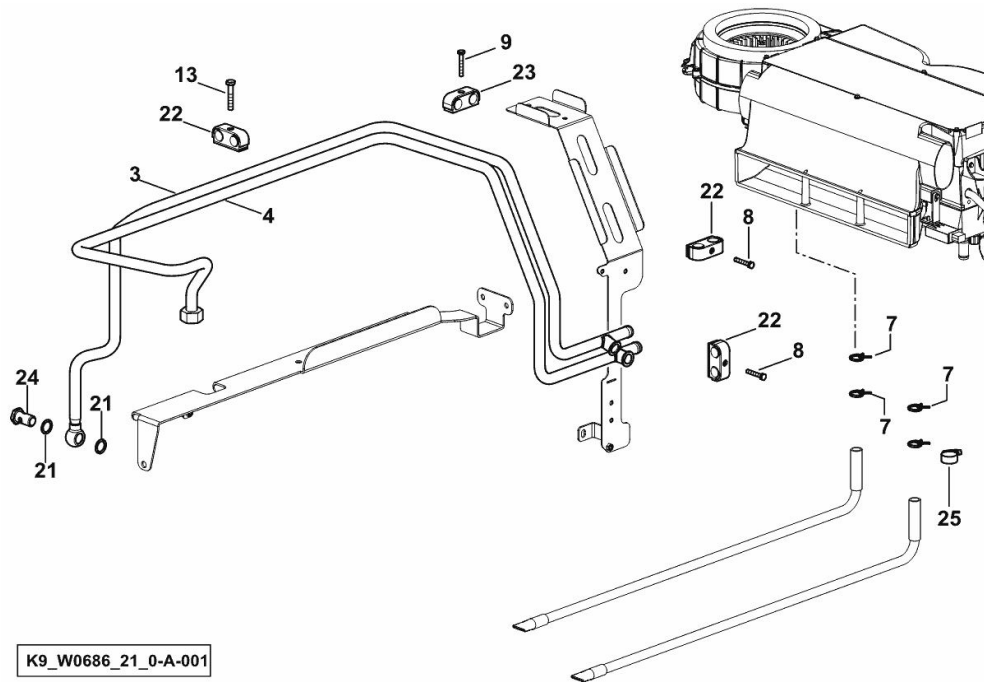
1	04429952.4/30	1	cover
3	0.018.5821.4/10	1	heating unit ☞ 0.018.5821.4/10
4	0.010.6539.0/40	2	hinge
5	0.014.8200.0	2	block
6	0.017.0996.0/10	1	gasket
7	2.6569.047.0	1	rubber plug
8	0.018.5872.0/10	1	tube
9	0.018.5870.0/20	1	tube
10	0.011.4589.3/10	2	flexible hose
11	0.017.1005.0	1	gasket
12	04429732	1	plate
13	0.010.8331.0/10	1	clamp
14	0.017.1004.0	3	gasket
15	0.017.1003.0	1	gasket
16	0.010.8330.0/10	1	duct
17	0.017.1001.0/10	1	gasket
18	0.017.1000.0/10	2	gasket
19	0.013.0425.0	2	tube
20	2.6851.019.0	2	clamp Ø 13/20
21	2.6851.001.0	2	clamp Ø 16/25
22	2.0112.009.2	4	screw m 6 p.1 x 25
24	2.0114.211.2	4	screw m 8 x 30
25	04426352	8	screw m 8 p.1.25 x 20
26	2.1310.004.2	9	flat washer 8.4x17
27	2.0114.215.2	1	screw m 8 p.1.25 x 40
34	0.019.4601.2	1	front grille
35	0.018.5877.0	4	pin M 4 x 11.5 (50001 <-)
35	0.020.6895.0	4	pin M 4 x 19 (-> 50002)
36	2.0330.406.2	4	screw m 6 p.1.0 x 16
37	2.1310.002.2	4	flat washer 6.4x12.5
38	0.018.5874.4	1	control
39	0.018.5878.4	4	clip
40	0.018.5876.2/10	1	support (50001 <-)
40	0.018.5876.2/20	1	support (-> 50002)
41	01172669	2	rivet 4.8x10.3
42	2.6839.054.0	4	clamp Ø 20/25
43	2.6070.004.0	1	plug 25
44	04416919	4	screw m 4.8x32 (-> 50002)
45	2.1599.573.0	4	washer 5.4 (-> 50002)
46	2.6999.047.0	4	clip (-> 50002)

HEATING SYSTEM

Fig.	P/n	QTY	Name
------	-----	-----	------

Notes:
[6140P Agrottron]

3	0.019.8024.3/20	1	tube
4	0.019.8039.3/30	1	tube
7	04429943	4	clamp
8	2.0112.013.2	2	screw m 6 p.1 x 35
9	2.0112.015.2	3	screw m 6 p.1x40
13	2.0112.217.2	1	screw m 8 p.1.25 x 45
21	2.1560.014.0	2	washer 18.2 x 24
22	2.3320.219.0	3	terminal
23	2.3320.319.0	1	terminal
24	2.3335.008.2	1	pipe union m 18 p.1.5 x 32
25	2.6851.001.0	1	clamp Ø 16/25



Section: G0 - BODYWORK - CAB
AIR CONDITIONING SYSTEM

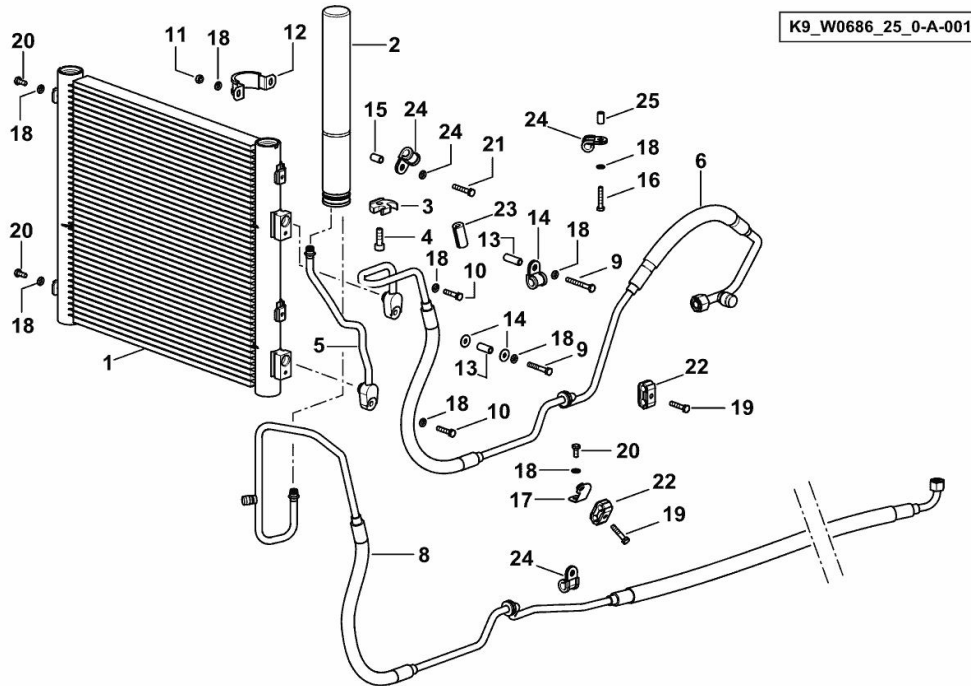


Fig.	P/n	QTY	Name
------	-----	-----	------

Notes:
 [6140P Agrottron] 50001 <-

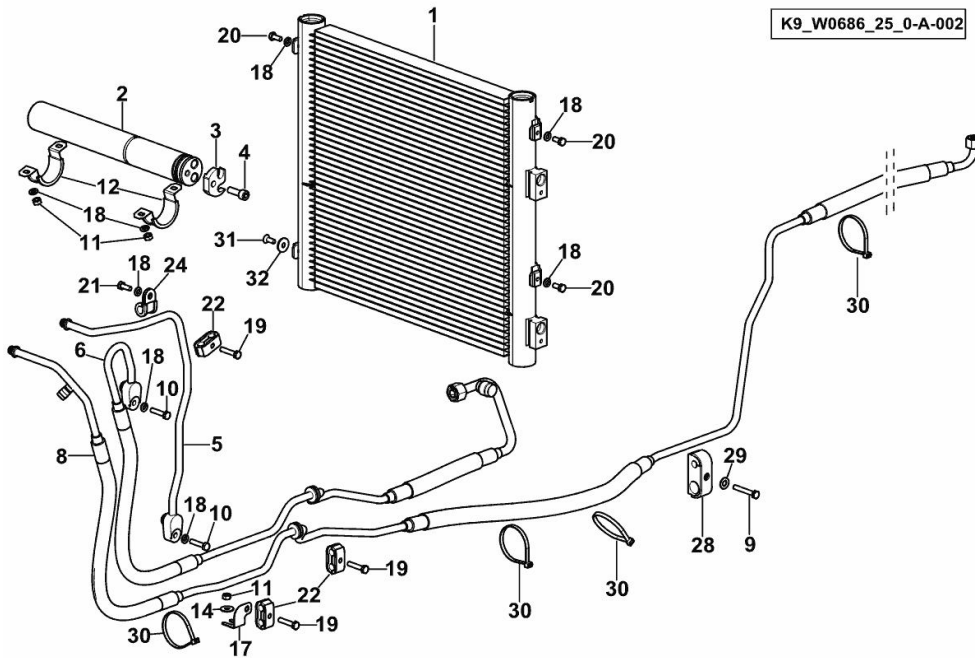
1	0.018.6437.4/10	1	condenser
2	0.019.0809.4	1	filter
3	0.018.9831.0	1	spacer
4	2.0312.208.2	1	screw m 8 p.1.25 x 25
5	0.019.9955.3/10	1	tube
6	0.019.9982.4	1	tube
8	0.019.9956.3	1	tube
9	2.0112.015.2	2	screw m 6 p.1x40
10	2.0112.010.2	2	screw m 6 p.1x30
11	2.1011.103.2	4	nut m 6 p.1
12	0.018.9844.0	2	bracket
13	2.1549.206.2	2	spacer
14	2.1312.003.2	4	washer 6
15	2.1549.013.2	1	spacer 7x10x17
16	2.0112.019.2	1	screw m 6 p.1 x 50
17	0.020.4647.3	1	bracket
18	2.1310.002.2	13	flat washer 6.4x12.5
19	2.0112.011.2	2	screw m 6 p.1x30
20	2.0112.004.2	3	screw m 6 p.1 x 14
21	2.0112.013.2	1	screw m 6 p.1 x 35
22	2.3321.007.0	2	collar Ø10/10
23	01218045	1	rubber plug
24	2.6839.055.0	3	clamp Ø 11 / 20
25	2.1549.001.2	1	spacer

Section: G0 - BODYWORK - CAB
AIR CONDITIONING SYSTEM

Fig.	P/n	QTY	Name
------	-----	-----	------

Notes:

[6140P Agrottron] -> 50003 - 50080 <-



1	0.018.6437.4/10	1	condenser
2	0.019.0809.4	1	filter
3	0.018.9831.0	1	spacer
4	2.0312.208.2	1	screw m 8 p.1.25 x 25
5	0.019.9955.3/20	1	tube
6	0.019.9982.4/40	1	tube
8	0.019.9956.3/40	1	tube
9	2.0112.015.2	1	screw m 6 p.1x40
10	2.0112.010.2	2	screw m 6 p.1x30
11	2.1011.103.2	5	nut m 6 p.1
12	0.018.9844.0	2	bracket
14	2.1312.003.2	1	washer 6
17	0.020.8455.3/10	1	bracket
18	2.1310.002.2	10	flat washer 6.4x12.5
19	2.0112.011.2	3	screw m 6 p.1x30
20	2.0112.004.2	3	screw m 6 p.1 x 14
21	2.0112.005.2	1	screw m 6 p.1 x 16
22	2.3321.007.0	3	collar Ø10/10
24	2.6839.055.0	1	clamp Ø 11 / 20
28	2.3329.019.0	1	terminal
29	2.1310.004.2	1	flat washer 8.4x17
30	2.6852.203.0	3	clamp 292 x 4.8
31	2.0342.203.3	1	screw m 6 p.1.0 x 16
32	2.1399.058.2	1	washer

Section: G0 - BODYWORK - CAB
AIR CONDITIONING SYSTEM

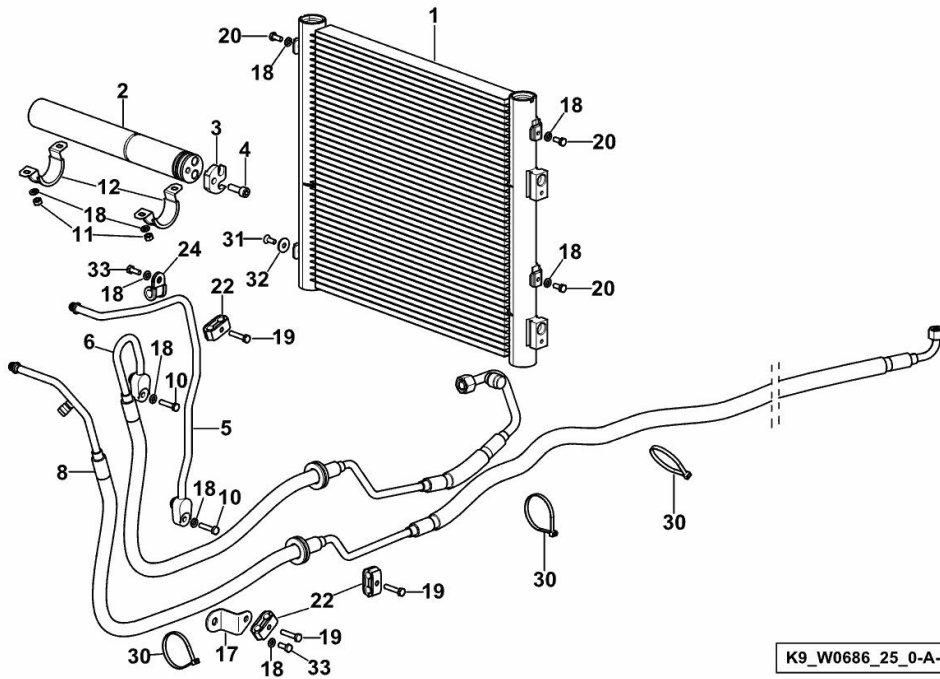


Fig.	P/n	QTY	Name
------	-----	-----	------

Notes:

[6140P Agrottron] -> 50081 - 50088 <-

1	0.018.6437.4/10	1	condenser
2	0.019.0809.4	1	filter
3	0.018.9831.0	1	spacer
4	2.0312.208.2	1	screw m 8 p.1.25 x 25
5	0.019.9955.3/20	1	tube
6	0.019.9982.4/50	1	tube
8	0.019.9956.3/50	1	tube
10	2.0112.010.2	2	screw m 6 p.1x30
11	2.1011.103.2	4	nut m 6 p.1
12	0.018.9844.0	2	bracket
17	0.020.8455.3/20	1	bracket
18	2.1310.002.2	11	flat washer 6.4x12.5
19	2.0112.011.2	2	screw m 6 p.1x30
20	2.0112.004.2	3	screw m 6 p.1 x 14
22	2.3321.007.0	2	collar Ø10/10
24	2.6839.055.0	1	clamp Ø 11 / 20
30	2.6852.203.0	3	clamp 292 x 4.8
31	2.0342.203.3	1	screw m 6 p.1.0 x 16
32	2.1399.058.2	1	washer
33	2.0112.005.2	2	screw m 6 p.1 x 16

Section: G0 - BODYWORK - CAB
AIR CONDITIONING SYSTEM

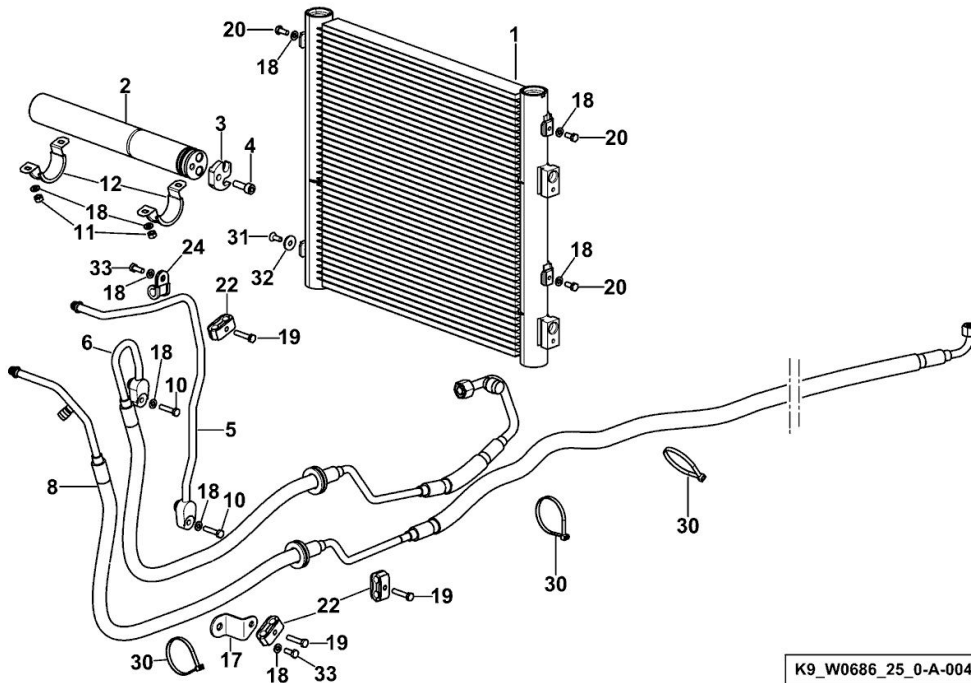


Fig.	P/n	QTY	Name
------	-----	-----	------

Notes:
 [6140P Agrottron] -> 50089

1	0.018.6437.4/10	1	condenser
2	0.019.0809.4	1	filter
3	0.018.9831.0	1	spacer
4	2.0312.208.2	1	screw m 8 p.1.25 x 25
5	0.019.9955.3/20	1	tube
6	0.019.9982.4/60	1	tube
8	0.019.9956.3/60	1	tube
10	2.0112.010.2	2	screw m 6 p.1x30
11	2.1011.103.2	4	nut m 6 p.1
12	0.018.9844.0	2	bracket
17	0.020.8455.3/20	1	bracket
18	2.1310.002.2	11	flat washer 6.4x12.5
19	2.0112.011.2	2	screw m 6 p.1x30
20	2.0112.004.2	3	screw m 6 p.1 x 14
22	2.3321.007.0	2	collar Ø10/10
24	2.6839.055.0	1	clamp Ø 11 / 20
30	2.6852.203.0	3	clamp 292 x 4.8
31	2.0342.203.3	1	screw m 6 p.1.0 x 16
32	2.1399.058.2	1	washer
33	2.0112.005.2	2	screw m 6 p.1 x 16

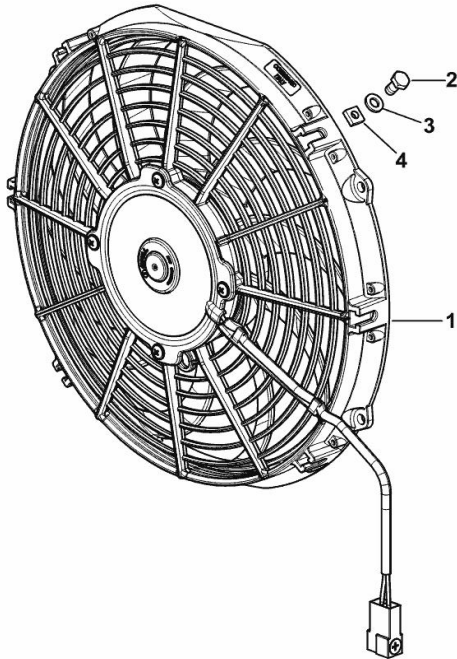
BLOWER

Fig.	P/n	QTY	Name
------	-----	-----	------

Notes:

[6140P Agrottron]

1	0.020.0978.4	1	fan
2	2.0112.003.2	4	screw m 6 p.1 x 12
3	2.1310.002.2	4	flat washer 6.4x12.5
4	2.1049.002.2	4	special nut



K9_W0686_26_0-A-001

Buy Now



Our support email:

ebooklibonline@outlook.com