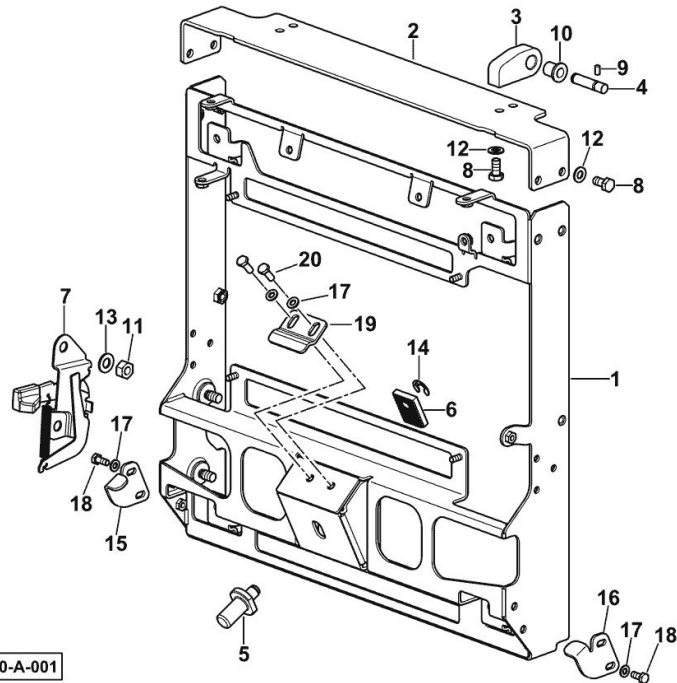


**AIR CONDITIONING RADIATOR SUPPORT**

Fig.	P/n	QTY	Name
------	-----	-----	------

**Notes:**

[6150 Agrottron -&gt;WSXAR90200LD50010]



K9\_U4386\_23\_0-A-001

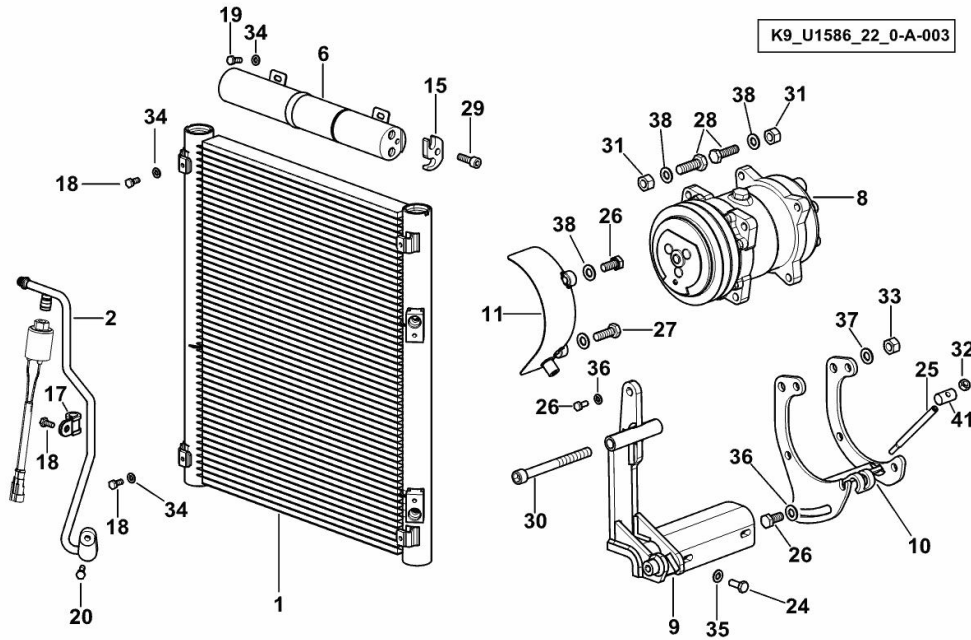
1	0.020.8616.4/30	1	chassis frame ( -> 50010 )
2	0.019.0998.0	1	bracket
3	0.019.0157.0/10	2	small block
4	0.019.0156.0	2	pin
5	0.018.4709.0/10	1	pin
6	0.015.5537.0/10	1	small plate
7	0.013.3609.4	1	lock
8	2.0112.205.2	8	screw m 8 p.1.25 x 16
9	2.0532.003.7	2	grub screw m 5x10
10	2.1559.147.0	2	bushing
11	2.1011.106.2	2	nut m 10 p.1.5
12	2.1310.004.2	8	flat washer 8.4x17
13	2.1310.006.2	2	flat washer 10.5x21
14	2.1430.011.7	1	circlip 10
15	0.020.3416.0	1	bracket dx/rh/re
16	0.020.3415.0	1	bracket sx/lh/li
17	2.1310.002.2	6	flat washer 6.4x12.5
18	2.0112.004.2	4	screw m 6 p.1 x 14
19	0.020.8619.0/10	1	bracket
20	2.0112.005.2	2	screw m 6 p.1 x 16

**AIR CONDITIONING SYSTEM**

Fig.	P/n	QTY	Name
------	-----	-----	------

**Notes:**

[6150 Agrottron ->WSXAR90200LD50010]



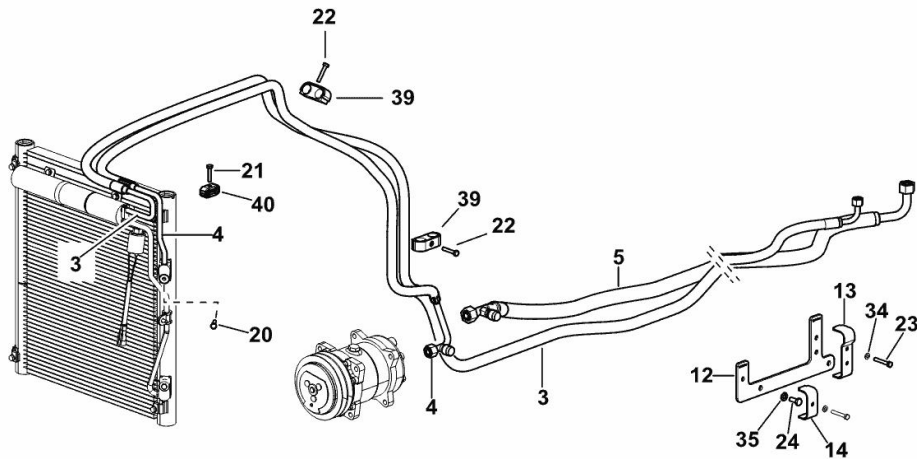
1	0.018.6448.4	1	condenser
2	0.019.0231.3	1	tube
6	0.019.0794.4/10	1	filter
8	04437339/10	1	compressor R 134a ☞ 04437339/10
9	0.019.4852.2/20	1	bracket
10	0.020.1353.3	1	bracket
11	0.018.4240.2/20	1	guard
15	0.015.4226.0/20	1	spacer
17	2.6839.055.0	1	clamp Ø 11 / 20
18	2.0112.004.2	5	screw m 6 p.1 x 14
19	2.0112.005.2	2	screw m 6 p.1 x 16
20	2.0112.009.2	2	screw m 6 p.1 x 25
24	2.0112.207.2	4	screw m 8 p 1.25 x 20
25	2.0119.215.2	1	screw m 8 p.1.25 x 125
26	2.0112.308.2	4	screw m 10 p.1.5x22
27	2.0112.311.2	1	screw m 10 p.1.5 x 30
28	2.0112.313.2	4	screw m 10 p.1.5 x 35
29	2.0312.208.2	1	screw m 8 p.1.25 x 25
30	2.0319.038.2	1	screw m 12x125
31	2.1011.006.2	5	nut m 10 p.1.5
32	2.1011.105.2	1	nut m 8 p.1.25
33	2.1121.008.2	1	nut m 12
34	2.1310.002.2	9	flat washer 6.4x12.5
35	2.1310.004.2	4	flat washer 8.4x17
36	2.1310.006.2	3	flat washer 10.5x21
37	2.1310.007.2	2	flat washer 13 x 24
38	2.1475.003.2	6	washer 10
41	0.019.4856.0	1	small block

**AIR CONDITIONING SYSTEM**

Fig.	P/n	QTY	Name
------	-----	-----	------

**Notes:**

[6150 Agrotрон -&gt;WSXAR90200LD50010]

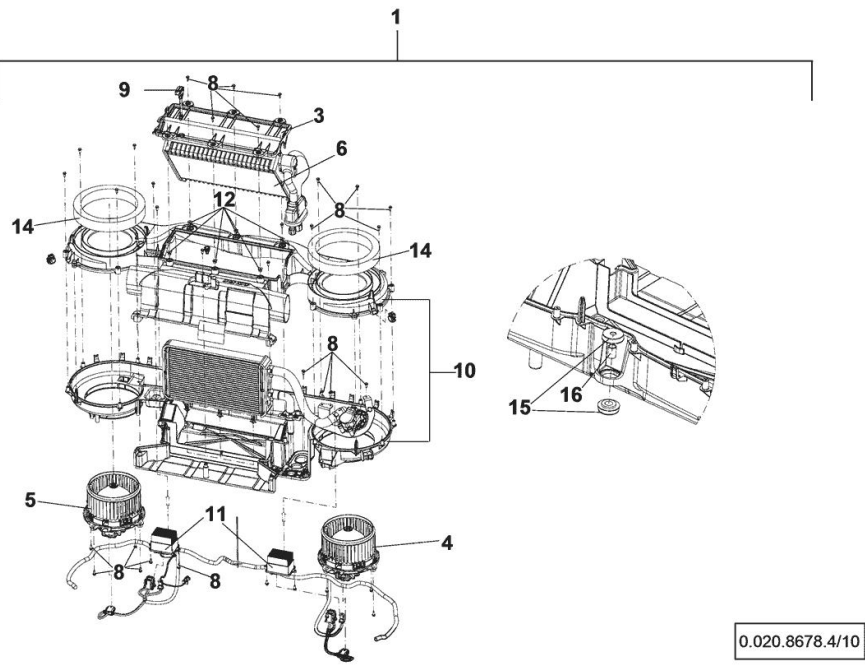


3	0.019.0232.3	1	tube
4	0.019.0233.3/10	1	tube
5	0.019.0297.3	1	tube
12	0.018.2972.3	1	bracket
13	0.017.6475.0	1	bracket
14	0.017.6474.0	1	bracket
20	2.0112.009.2	2	screw m 6 p.1 x 25
21	2.0112.011.2	1	screw m 6 p.1x30
22	2.0112.013.2	2	screw m 6 p.1 x 35
23	2.0112.015.2	3	screw m 6 p.1x40
24	2.0112.207.2	4	screw m 8 p 1.25 x 20
34	2.1310.002.2	9	flat washer 6.4x12.5
35	2.1310.004.2	4	flat washer 8.4x17
39	2.3320.321.0	2	terminal Ø 20/20
40	2.3321.007.0	1	collar Ø10/10

K9\_U1586\_22\_0-B-001

**MANUAL CLIMATE CONTROL SYSTEM**

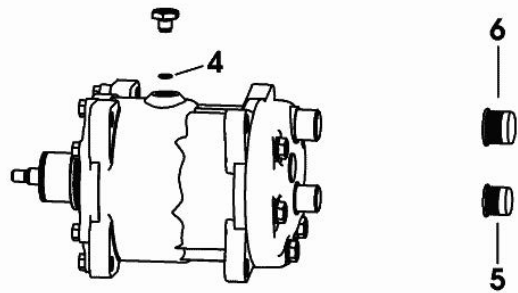
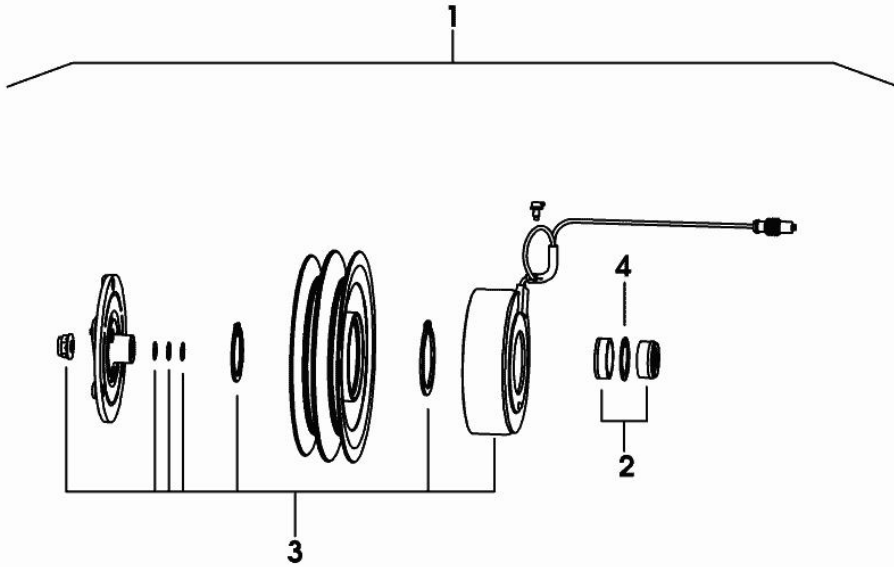
Fig.	P/n	QTY	Name
1	0.020.8678.4/10	1	heating unit
3	0.900.2234.3	1	cover
4	0.900.2234.4	1	fan
5	0.900.2234.5	1	fan
6	0.900.2234.6	1	radiator
8	0.900.0944.6	41	screw 4 x 12
9	0.900.2236.0	1	probe
10	0.900.2386.6	-	box
11	0.900.2234.7	1	regulator
12	0.900.2234.8	1	insert
14	0.900.2235.0	2	gasket
15	0.010.2541.0	2	rubber plug
16	0.98538.71.1	1	spacer



0.020.8678.4/10

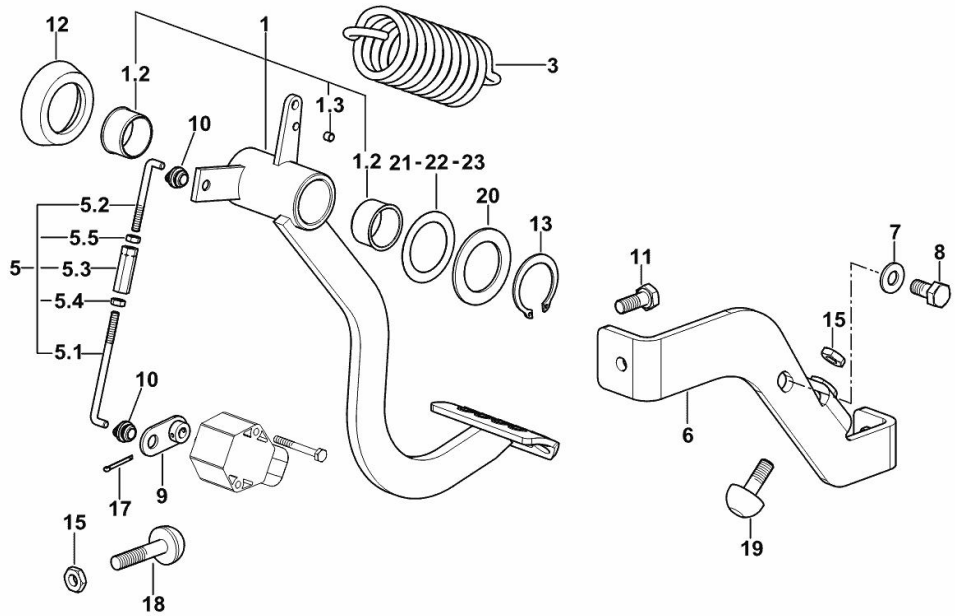
**COMPRESSOR**

Fig.	P/n	QTY	Name
1	04437339/10	1	compressor R 134a
2	0.900.0005.8	1	accessories
3	0.900.0005.9	1	accessories
4	0.010.3629.1	1	special oil seal
5	0.010.3630.0	1	plug
6	0.010.3629.2	1	plug



04437339\_10

**CLUTCH CONTROL**



K9\_AU765\_00\_0-A-001

Fig.	P/n	QTY	Name
------	-----	-----	------

**Notes:**

[6150 Agrottron ->WSXAR90200LD50010]

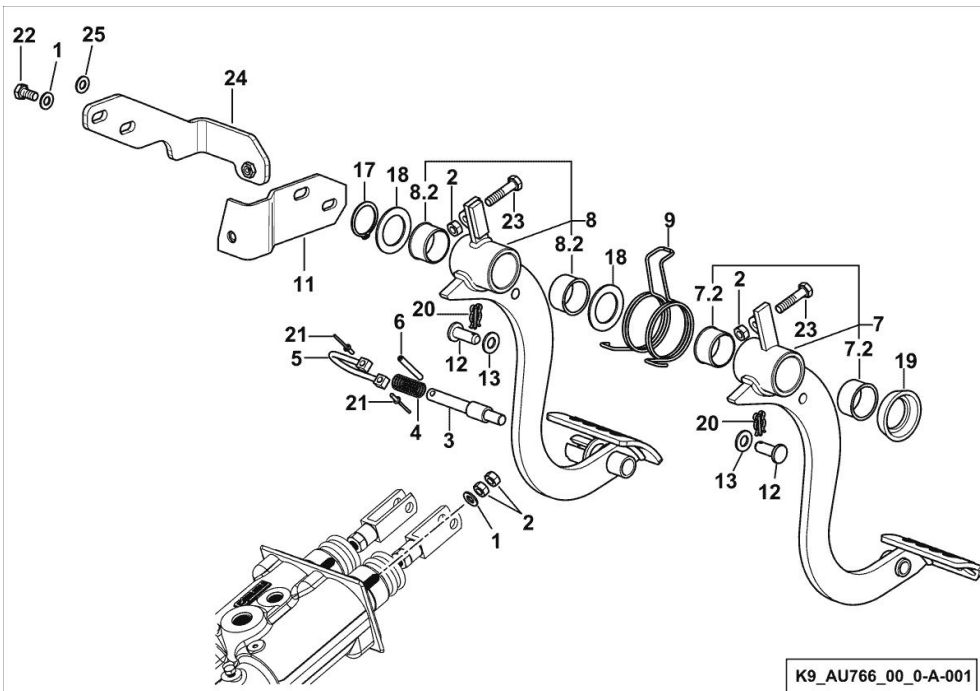
1	0.018.2681.4/20	1	pedal
1.2	2.1559.117.0/20	2	special bushing 30x34x20
1.3	04429987	1	special bushing 5x7x5
3	2.4049.239.2/10	1	spring
5	04427323.4	1	rod
5.1	04426894	1	stay
5.2	04419486	1	stay
5.3	04419487	1	nut m 4
5.4	2.1011.101.2	1	nut
5.5	04419525	1	nut m 4
6	0.020.6464.3/20	1	support
7	2.1310.004.2	1	flat washer 8.4x17
8	2.0114.205.2	1	screw m 8 p.1.25 x 16
9	04429512	1	lever
10	04412894	2	interlock
11	2.0114.207.2	1	screw m 8 p.1.25 x 20
12	2.1599.546.0	1	washer 30.5
13	2.1410.012.1	1	circlip 30
15	2.1011.105.2	2	nut m 8 p.1.25
17	01143001	1	split pin 2x16
18	04386546/10	1	contact surface m 8 x 55
19	04384850	1	contact surface m 8 x 25
20	2.1599.268.0	1	shoulder ring
21	04429740	0.4	shim mm 0,5
22	04429741	0.3	shim mm 1.0
23	04429742	0.3	shim mm 0.3

**BRAKE CONTROLS**

Fig.	P/n	QTY	Name
------	-----	-----	------

**Notes:**

[6150 Agrottron -&gt;WSXAR90200LD50010]



1	2.1310.004.2	4	flat washer 8.4x17 ( -> 50165 )
2	2.1011.105.2	10	nut m 8 p.1.25
3	0.014.1656.0/20	1	pin
4	2.4019.586.2	1	spring
5	0.014.1658.2	1	u bolt
6	2.1630.515.0	1	roll pin 5 x 40
7	0.018.4851.4	1	pedal sx/lh/li
7.2	2.1559.117.0/20	2	special bushing 30x34x20
8	0.018.4848.4	1	pedal dx/rh/re
8.2	2.1559.117.0/20	1	special bushing 30x34x20
9	0.013.7336.0	1	spring
11	0.018.4855.3/30	1	bracket
12	04429518	2	pin
13	2.1310.006.2	2	flat washer 10.5x21
17	2.1410.012.1	1	circlip 30
18	2.1599.268.0	2	shoulder ring
19	2.1599.546.0	1	washer 30.5
20	01175876	2	split pin
21	2.1855.010.0	2	rivet 3.4
22	2.0114.209.2	2	screw m 8 x 25
23	2.0114.213.2	2	screw m 8 x 35
24	0.020.6465.3/20	1	support
25	2.1312.004.2	2	washer 8x24x2

**Buy Now**



Our support email:

[ebooklibonline@outlook.com](mailto:ebooklibonline@outlook.com)