

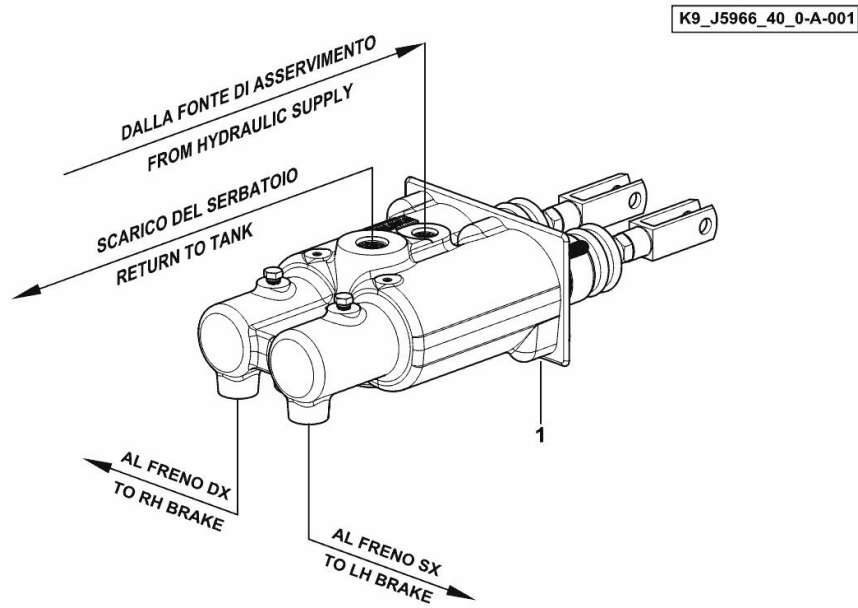
BRAKE CYLINDER

Fig.	P/n	QTY	Name
------	-----	-----	------

Notes:

[6150 Agrottron ->WSXU110200LD50001]

1	2.3729.725.0/10	1	brake pump
---	-----------------	---	------------



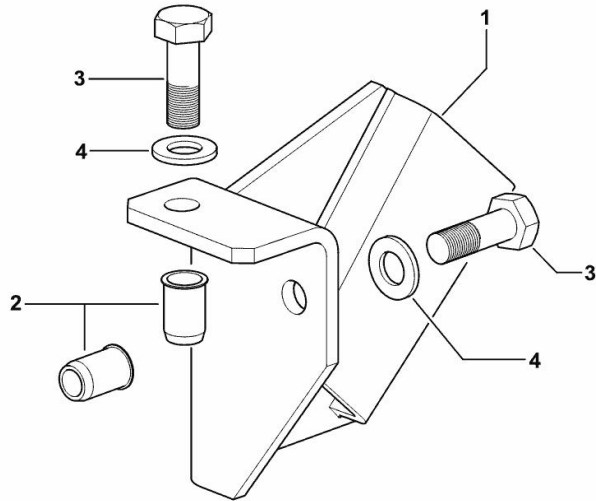
HANDBRAKE SUPPORT FOR TRAILER

Fig.	P/n	QTY	Name
------	-----	-----	------

Notes:

[6150 Agrottron ->WSXU110200LD50001]

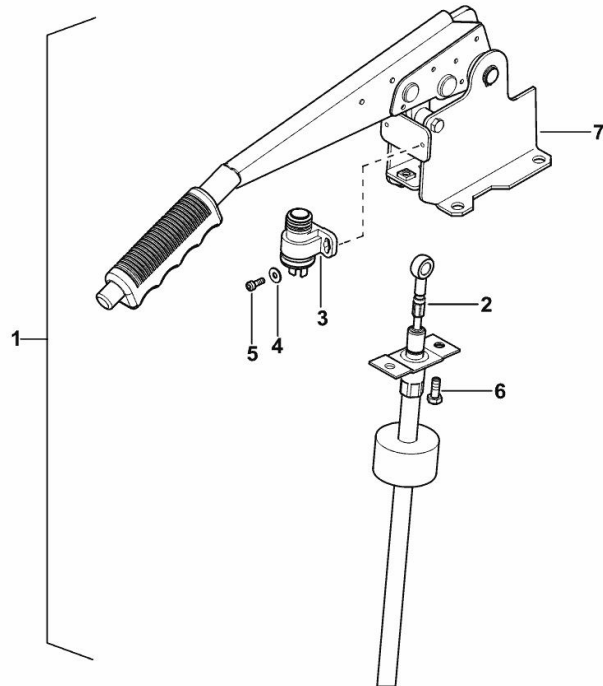
1	0.011.4447.2	1	support
2	2.1142.012.2	2	insert m10
3	2.0112.311.2	2	screw m 10 p.1.5 x 30
4	2.1475.003.2	2	washer 10



K9_11344_20_0-A-001

HAND BRAKE

Fig.	P/n	QTY	Name
1	0.018.2467.4	1	handbrake lever
2	0.900.1576.1	1	rod
3	0.900.1576.2	1	switch
4	0.900.1576.3	2	washer
5	0.900.1576.4	2	screw m4x12
6	0.900.1576.5	2	screw m6x20
7	0.900.1576.6	1	handbrake lever



0.018.2467.4

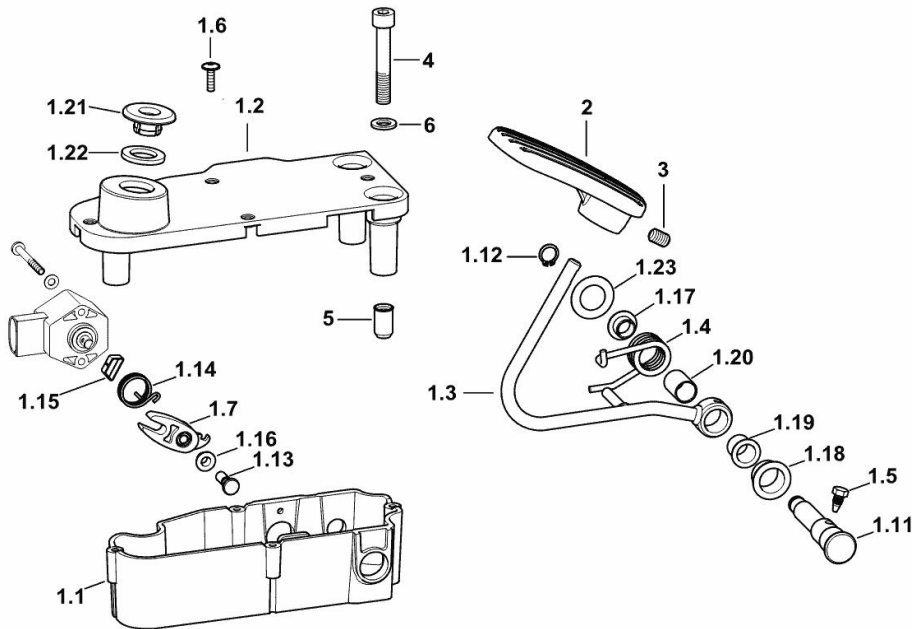
ELECTRONIC ACCELERATOR CONTROL

Fig.	P/n	QTY	Name
------	-----	-----	------

Notes:

[6150 Agrottron ->WSXU110200LD50001] 50002 <-

1.1	0.010.8694.2/30	1	box
1.2	0.012.6572.0	1	cover
1.3	0.010.8699.2/30	1	lever
1.4	2.4099.115.2/30	1	spring
1.5	2.0399.272.2	1	screw m 5
1.6	2.0363.105.2	4	screw m 4
1.7	0.011.6578.0	1	lever
1.11	0.011.6028.0/10	1	pin
1.12	2.1410.001.1	1	circlip 10
1.13	2.1699.492.2/20	1	pin
1.14	2.4099.134.2	1	spring
1.15	0.011.3791.0	1	clip
1.16	2.2841.010.0	1	bushing 6x8x6
1.17	2.2841.034.0	1	bushing 10x12x7
1.18	2.2841.071.0	1	bushing 16x18x12
1.19	2.2841.043.0	1	bushing 12 x 14 x 15
1.20	2.2840.042.0	1	bushing 12x14x20
1.21	0.011.9149.0	1	plug
1.22	0.011.8709.0	1	washer
1.23	2.1599.044.2	1	shoulder ring
2	0.010.8696.2/20	1	accel. pedal
3	2.0512.204.7	1	grub screw m 8 p.1.25 x 12
4	2.0312.216.2	3	screw m 8 p.1.25x50
5	2.1142.011.2	3	insert m 8
6	2.1474.009.2	3	spring washer 8



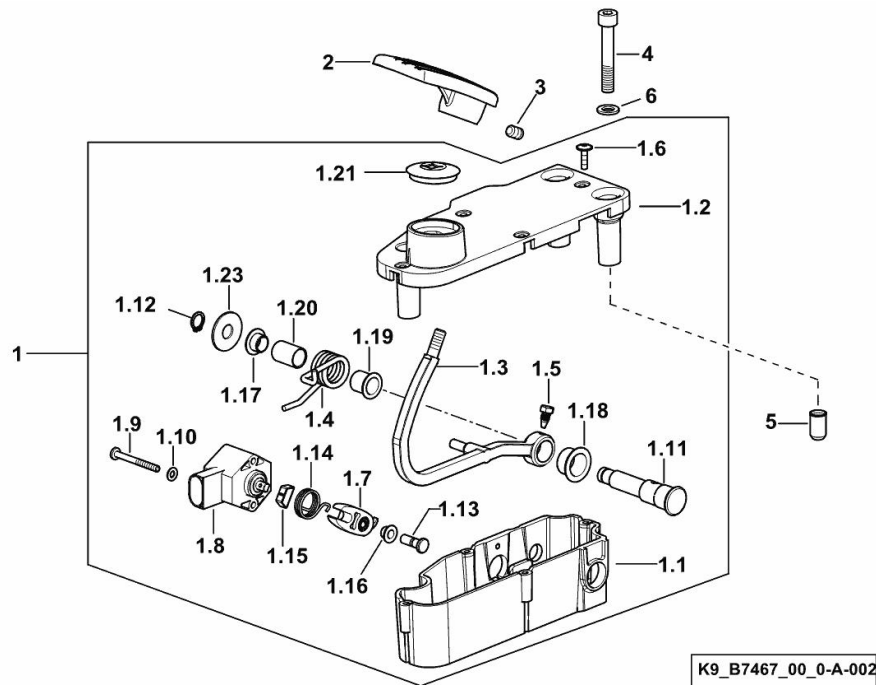
K9_B7467_00_0-A-001

ELECTRONIC ACCELERATOR CONTROL

Fig.	P/n	QTY	Name
------	-----	-----	------

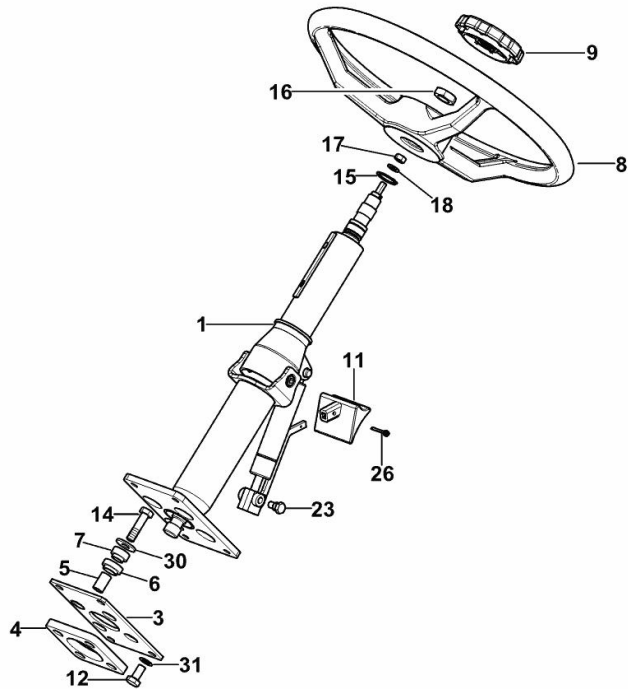
Notes:

[6150 Agrottron ->WSXU110200LD50001] -> 50003



1	0.012.6571.4/60	1	accel. pedal
1.1	0.010.8694.2/30	1	box
1.2	0.019.2583.0	1	cover
1.3	0.019.0829.0	1	lever
1.4	2.4099.115.2/30	1	spring
1.5	2.0399.272.2	1	screw m 5
1.6	2.0363.105.2	4	screw m 4
1.7	0.011.6578.0	1	lever
1.8	04429390/10	1	sensor
1.9	2.0332.211.3	2	screw m 4 x 40
1.10	2.1310.028.2	2	flat washer
1.11	0.011.6028.0/20	1	pin
1.12	2.1410.001.1	1	circlip 10
1.13	2.1699.492.2/20	1	pin
1.14	2.4099.134.2	1	spring
1.15	0.011.3791.0	1	clip
1.16	2.2841.010.0	1	bushing 6x8x6
1.17	2.2841.034.0	1	bushing 10x12x7
1.18	2.2841.071.0	1	bushing 16x18x12
1.19	2.2841.043.0	1	bushing 12 x 14 x 15
1.20	2.2840.042.0	1	bushing 12x14x20
1.21	0.019.3267.0	1	rubber plug
1.23	2.1599.044.2	1	shoulder ring
2	0.010.8696.2/20	1	accel. pedal
3	2.0512.204.7	1	grub screw m 8 p.1.25 x 12
4	2.0312.216.2	3	screw m 8 p.1.25x50
5	2.1142.011.2	3	insert m 8
6	2.1474.009.2	3	spring washer 8

STEERING CONTROL WITH ADJUSTABLE STEERING WHEEL



K9_S3263_00_0-A-001

Fig.	P/n	QTY	Name
------	-----	-----	------

Notes:

[6150 Agrottron ->WSXU110200LD50001] 50007 <-

1	0.014.8752.4/10	1	steering column ☞ 0.014.8752.4/10
3	0.010.7445.0/10	1	plate
4	04355546	1	plate
5	04386557	4	spacer
6	04355695	4	spacer
7	0.018.1722.0	4	spacer
8	04396976	1	steering wheel
9	04386688	1	ring nut
11	04412354	1	knob
12	2.0114.307.2	4	screw m 10 x 20, d933
14	2.0114.315.2	4	screw m 10 p.1.5 x 40
15	2.1410.010.7	2	circlip 25
16	2.1012.510.7	1	nut m 18 p.1.5
17	2.1011.105.2	1	nut m 8 p.1.25
18	2.1310.004.2	1	flat washer 8.4x17
23	2.0119.243.2/10	2	screw m 8 p1.25x16
26	01122070	1	split pin 2 x 20
30	2.1399.039.2/10	4	washer 10 x 25 x 2,5
31	2.1470.006.2	4	lock washer 10

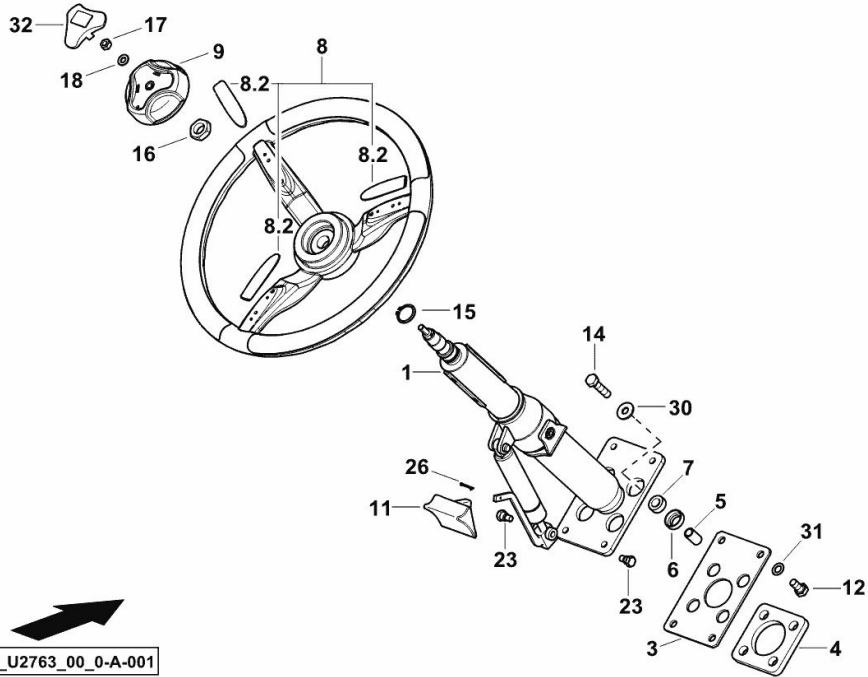
STEERING CONTROL WITH ADJUSTABLE STEERING WHEEL

Fig.	P/n	QTY	Name
------	-----	-----	------

Notes:

[6150 Agrottron ->WSXU110200LD50001] -> 50008

1	0.014.8752.4/10	1	steering column ☞ 0.014.8752.4/10
3	0.010.7445.0/10	1	plate
4	04355546	1	plate
5	04386557	4	spacer
6	04355695	4	spacer
7	0.018.1722.0	4	spacer
8	0.019.6632.4	1	steering wheel
8.2	0.019.0482.0/10	3	lining
9	0.019.2408.2/10	1	knob
11	04412354	1	knob
12	2.0114.307.2	4	screw m 10 x 20, d933
14	2.0114.315.2	4	screw m 10 p.1.5 x 40
15	2.1410.010.7	2	circlip 25
16	2.1012.510.7	1	nut m 18 p.1.5
17	2.1011.105.2	1	nut m 8 p.1.25
18	2.1310.004.2	1	flat washer 8.4x17
23	2.0119.243.2/10	2	screw m 8 p1.25x16
26	01122070	1	split pin 2 x 20
30	2.1399.039.2/10	4	washer 10 x 25 x 2,5
31	2.1470.006.2	4	lock washer 10
32	0.019.0481.0/10	1	plug




K9_U2763_00_0-A-001

Buy Now



Our support email:

ebooklibonline@outlook.com