

REAR LIFT CONTROL

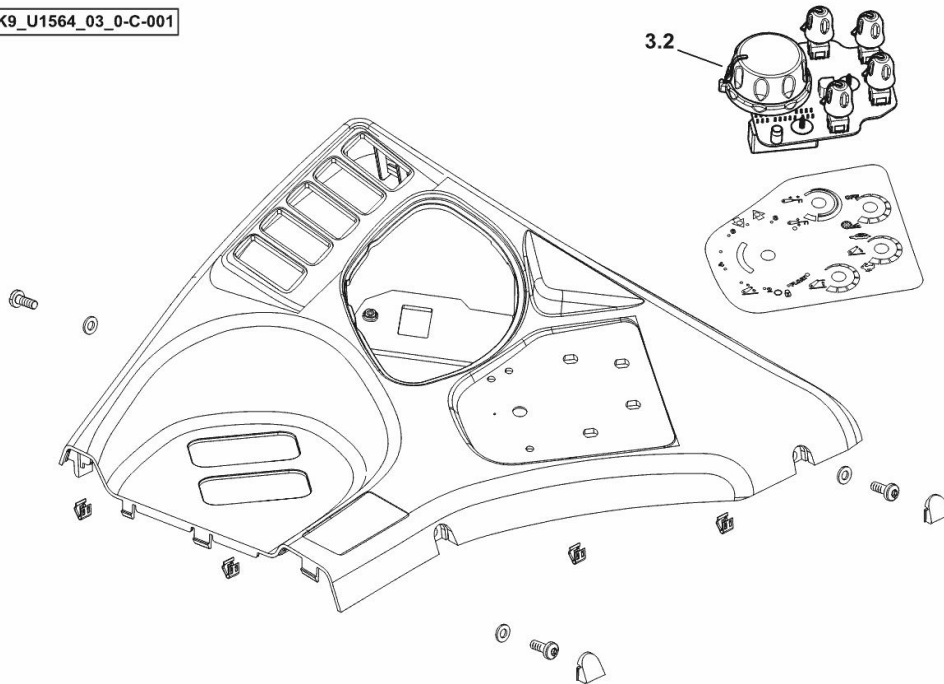
Fig.	P/n	QTY	Name
------	-----	-----	------

Notes:

- FOR TYPES WITH 8-WAY REMOTE VALVE WITHOUT FRONT LIFT AND WITHOUT 2 FRONT COUPLERS
 [6150.4P Agrottron -> WSXV550200LD50001]

3.2	0.017.6115.4	1	control
-----	--------------	---	---------

K9_U1564_03_0-C-001



REAR LIFT CONTROL

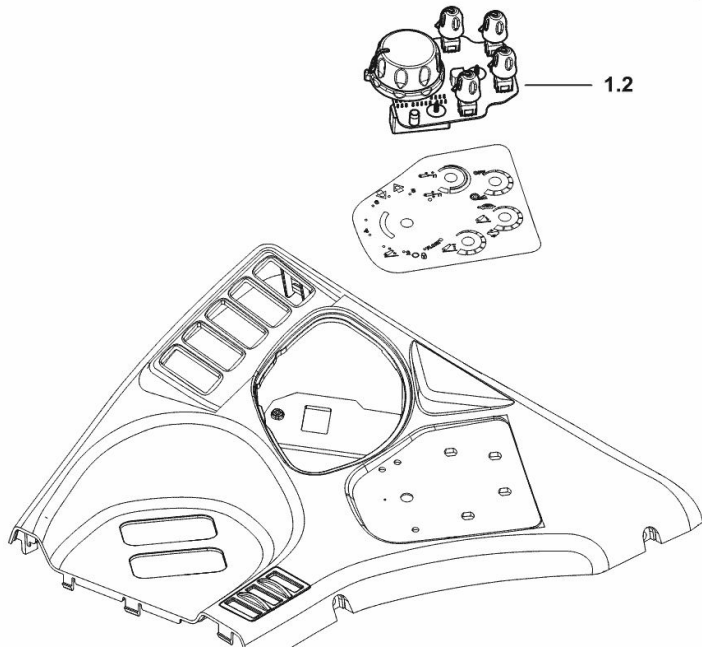
Fig.	P/n	QTY	Name
------	-----	-----	------

Notes:

- FOR TYPES WITH 8-WAY AUXILIARY CONTROL VALVE WITH FRONT LIFT AND 2 FRONT SOCKETS
[6150.4P Agrottron -> WSXV550200LD50001]

1.2	0.017.6115.4	1	control
-----	--------------	---	---------

K9_U3164_03_0-B-001



REAR LIFT CONTROL

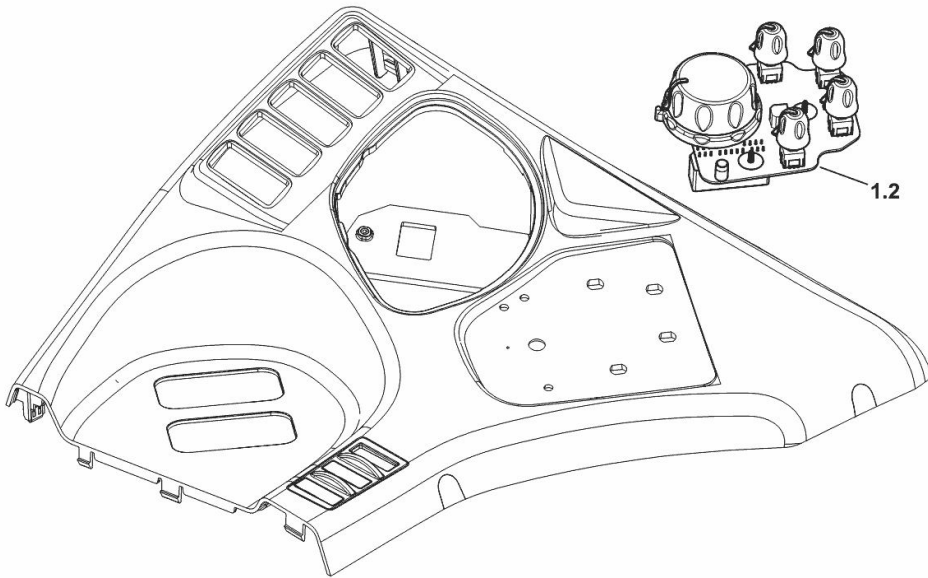
Fig.	P/n	QTY	Name
------	-----	-----	------

Notes:

- FOR TYPES WITH 10-WAY REMOTE VALVE WITHOUT FRONT LIFT AND WITHOUT 2 FRONT COUPLERS
 [6150.4P Agrottron -> WSXV550200LD50001]

1.2	0.017.6115.4	1	control
-----	--------------	---	---------

K9_U1564_04_0-C-001



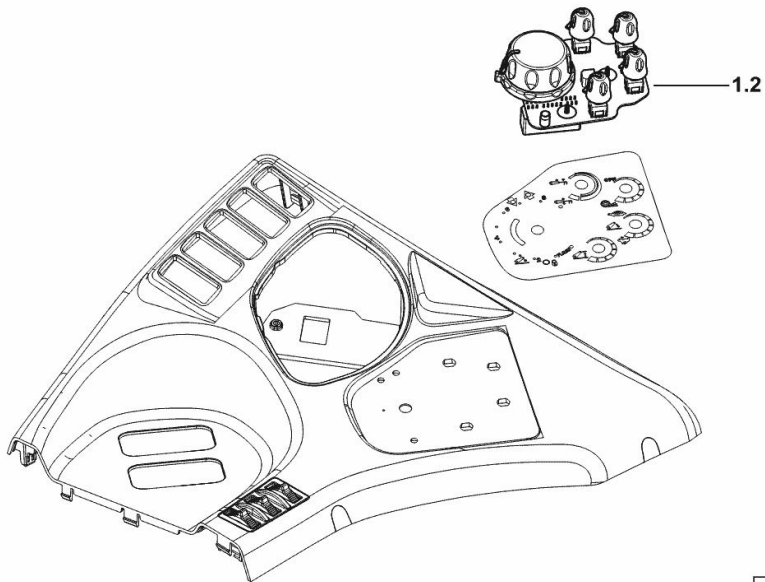
REAR LIFT CONTROL

Fig.	P/n	QTY	Name
------	-----	-----	------

Notes:

- FOR TYPES WITH 10-WAY AUXILIARY CONTROL VALVE WITH FRONT LIFT AND 2 FRONT SOCKETS
[6150.4P Agrottron -> WSXV550200LD50001]

1.2	0.017.6115.4	1	control
-----	--------------	---	---------



K9_U3164_04_0-B-001

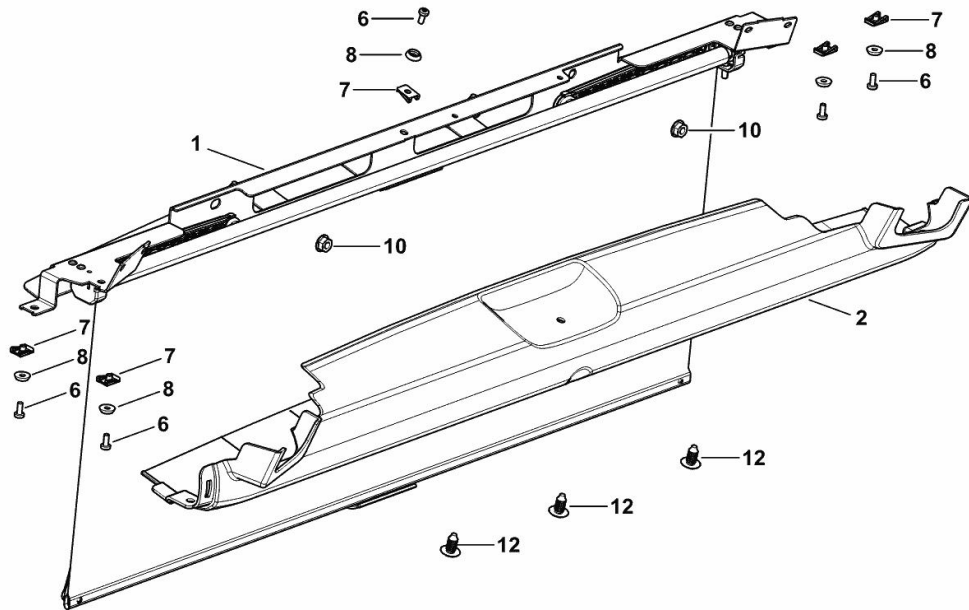
SUN BLIND FRONT WINDSCREEN

Fig.	P/n	QTY	Name
------	-----	-----	------

Notes:

[6150.4P Agrottron -> WSXV550200LD50001]

1	0.016.4134.4/40	1	roll-up sun-shade
2	0.019.4094.0/10	1	cover
6	2.0330.304.2	9	screw m 5 x 12
7	2.6999.077.0	9	special nut m 5
8	2.1599.573.0	9	washer 5.4
10	2.1071.004.0	2	special nut m 8 p.1.25
12	04429415	3	plug



K9_U2771_28_0-A-001

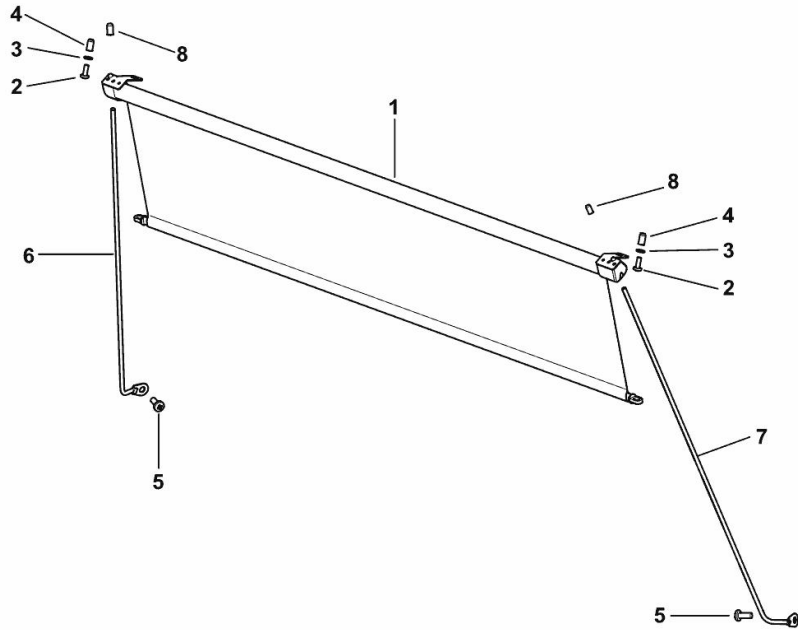
SUN BLIND REAR WINDOW

Fig.	P/n	QTY	Name
------	-----	-----	------

Notes:

[6150.4P Agrottron -> WSXV550200LD50001]

1	0.016.8078.4	1	roll-up sun-shade
2	2.0332.406.3	2	screw m 6 p.1.0 x 16
3	2.1310.002.3	2	flat washer 6.4 x 12 x 1.6
4	2.1142.010.2	2	insert m 6
5	2.0332.507.3	1	screw m 8 p.1.25 x 20
6	0.016.8187.2	1	rod dx/rh/re
7	0.016.8199.2	1	rod sx/lh/li
8	0.010.1367.0	2	cap



K9_J5771_29_0-A-002

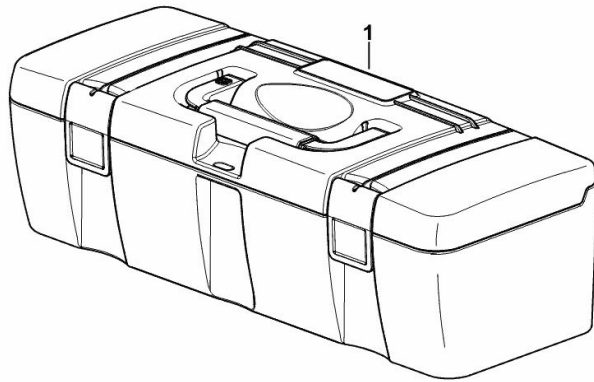
METAL TOOLBOX

Fig.	P/n	QTY	Name
------	-----	-----	------

Notes:

[6150.4P Agrottron -> WSXV550200LD50001]

1	0.018.4798.4/20	1	toolbox
---	-----------------	---	---------



K9_U1573_01_0-A-001

Buy Now



Our support email:

ebooklibonline@outlook.com