

BRAKE PIPES - FRONT

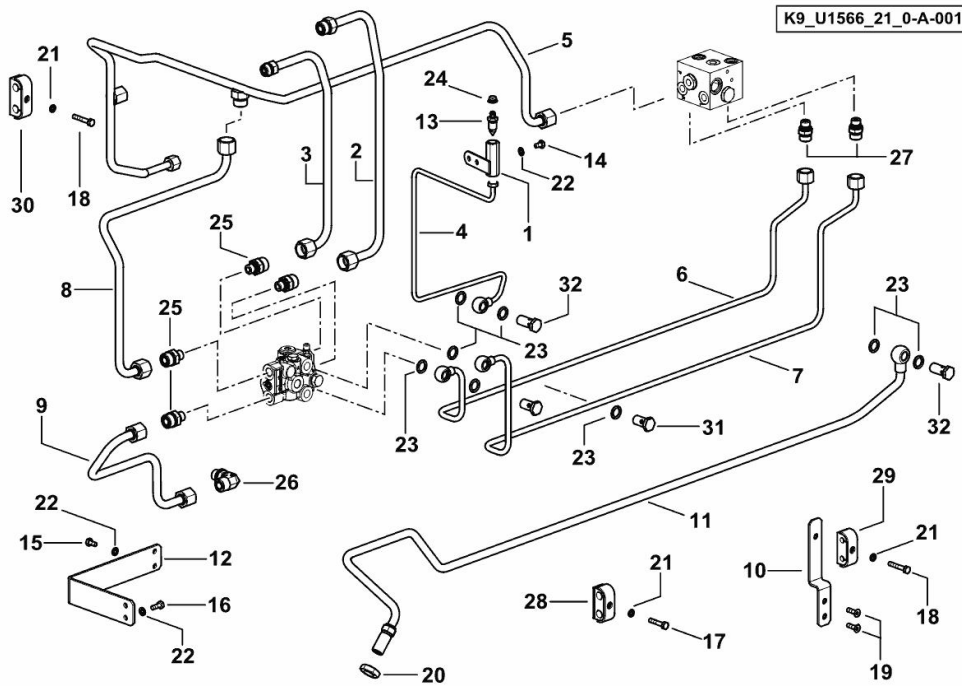


Fig.	P/n	QTY	Name
------	-----	-----	------

Notes:

[6150P Agrottron ->WSXU150200LD50001] 50009 <-

1	0.018.4140.3	1	pipe fitting
2	0.018.7353.3	1	tube dx/rh/re - DELIVERY
3	0.018.7354.3	1	tube sx/lh/li - DELIVERY
4	0.018.7369.3	1	tube
5	0.018.7410.3	1	tube Ø 12 - DELIVERY
6	0.018.7674.3	1	tube dx/rh/re
7	0.018.7675.3	1	tube sx/lh/li
8	0.018.7774.3	1	tube Ø 12 - DELIVERY
9	0.018.7961.3	1	tube Ø 12 - RETURN
10	0.019.0181.3	1	bracket
11	0.019.0197.3	1	tube Ø 12
12	0.019.0779.0	1	bracket
13	0.170.5455.0	1	valve
14	2.0112.002.2	2	screw m 6 p.1 x 10
15	2.0112.003.2	2	screw m 6 p.1 x 12
16	2.0112.005.2	2	screw m 6 p.1 x 16
17	2.0112.011.2	1	screw m 6 p.1x30
18	2.0112.013.2	2	screw m 6 p.1 x 35
19	2.0342.205.6	2	screw m 6 p.1 x 20
20	2.1019.169.2	1	nut 11/16 "-16 UN-2B
21	2.1470.002.2	3	lock washer 6
22	2.1475.001.7	6	washer 6.4x12
23	2.1560.010.0	8	gasket 14.2 x 20
24	2.3199.039.0	1	plug
25	2.3249.313.2	4	pipe fitting m 14 p.1.5-13/16
26	2.3273.005.0	1	pipe fitting m 16
27	2.3275.005.0	2	pipe fitting m14x1.5
28	2.3320.210.0	1	collar Ø 12/12
29	2.3320.302.0	1	collar Ø 8/8
30	2.3320.311.0	1	collar Ø 12/12
31	2.3335.006.2	3	pipe union m 14 p.1.5X26
32	2.3335.053.2	1	pipe union m 14 p.1.5x32

6150P Agrottron ->WSXU150200LD50001

Section: H0 - HYDRAULIC AND PNEUMATIC SYSTEM|

Ref: H0.09.1 (2)

BRAKE PIPES - FRONT

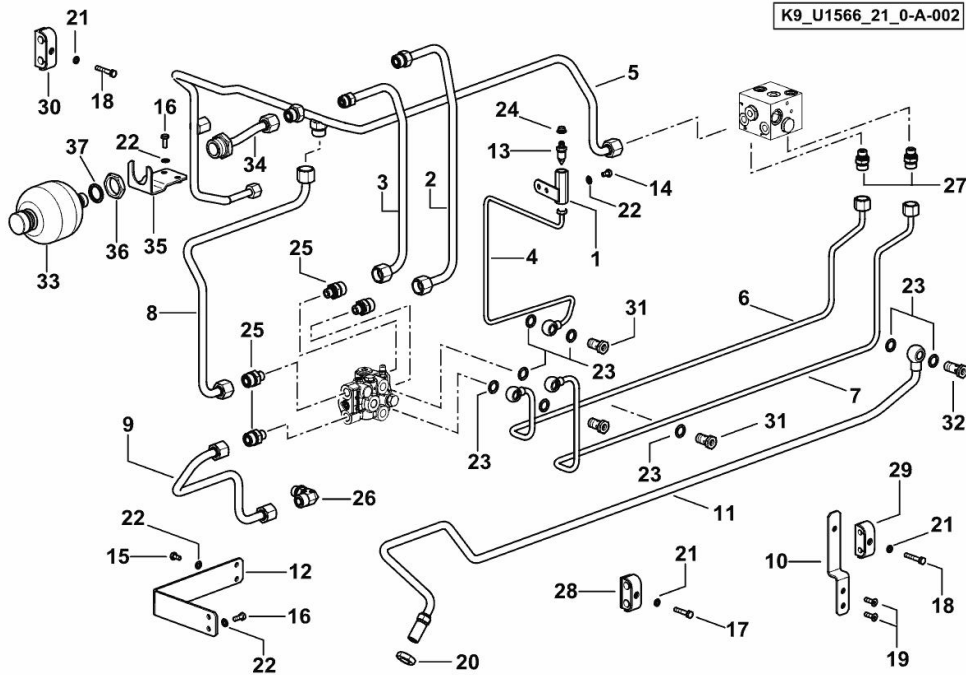


Fig.	P/n	QTY	Name
------	-----	-----	------

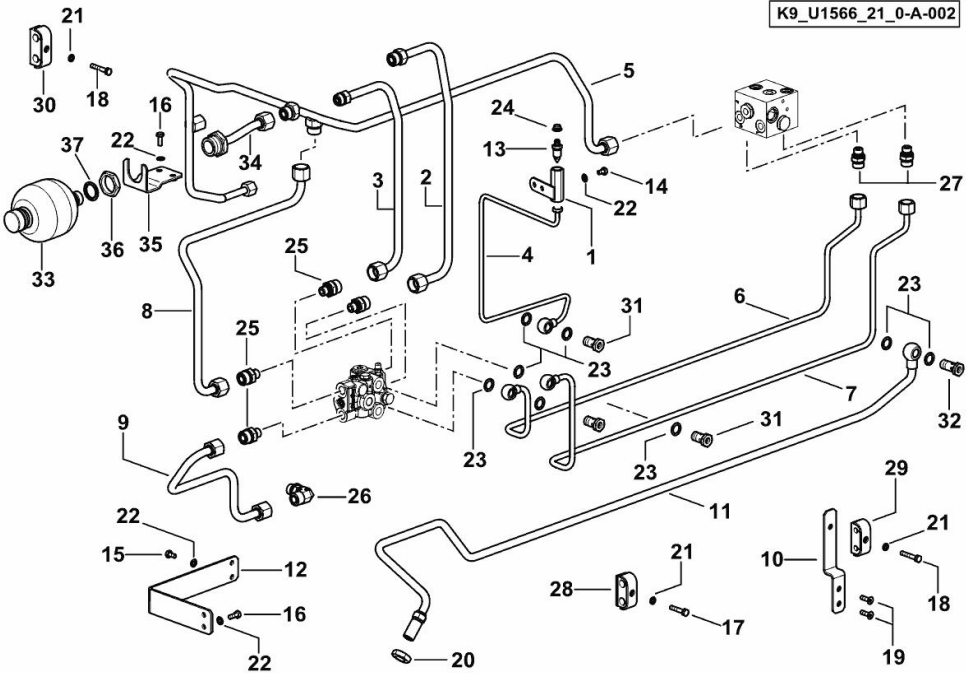
Notes:

[6150P Agrottron ->WSXU150200LD50001]-> 50041 - 50068 <-

1	0.018.4140.3	1	pipe fitting
2	0.018.7353.3	1	tube dx/rh/re - DELIVERY
3	0.018.7354.3	1	tube sx/lh/li - DELIVERY
4	0.018.7369.3	1	tube
5	0.018.7410.3/10	1	tube - DELIVERY
6	0.018.7674.3	1	tube dx/rh/re
7	0.018.7675.3	1	tube sx/lh/li
8	0.018.7774.3	1	tube Ø 12 - DELIVERY
9	0.018.7961.3	1	tube Ø 12 - RETURN
10	0.019.0181.3	1	bracket
11	0.019.0197.3	1	tube Ø 12
12	0.019.0779.0	1	bracket
13	0.170.5455.0	1	valve
14	2.0112.002.2	2	screw m 6 p.1 x 10
15	2.0112.003.2	2	screw m 6 p.1 x 12
16	2.0112.005.2	4	screw m 6 p.1 x 16
17	2.0112.011.2	1	screw m 6 p.1x30
18	2.0112.013.2	2	screw m 6 p.1 x 35
19	2.0342.205.6	2	screw m 6 p.1 x 20
20	2.1019.169.2	1	nut 11/16 "-16 UN-2B
21	2.1470.002.2	3	lock washer 6
22	2.1475.001.7	8	washer 6.4x12
23	2.1560.010.0	8	gasket 14.2 x 20
24	2.3199.039.0	1	plug
25	2.3249.313.2	4	pipe fitting m 14 p.1.5-13/16
26	2.3273.005.0	1	pipe fitting m 16
27	2.3275.005.0	2	pipe fitting m14x1.5
28	2.3320.210.0	1	collar Ø 12/12
29	2.3320.302.0	1	collar Ø 8/8
30	2.3320.311.0	1	collar Ø 12/12
31	2.3335.006.2	3	pipe union m 14 p.1.5X26
32	2.3335.053.2	1	pipe union m 14 p.1.5x32
33	0.015.2357.0/10	1	accumulator
34	0.019.7845.3	1	tube
35	0.019.7847.3	1	bracket
36	2.1019.091.2	1	special nut m 30 p.1.5x8

BRAKE PIPES - FRONT

Fig.	P/n	QTY	Name
37	2.1561.012.0	1	gasket

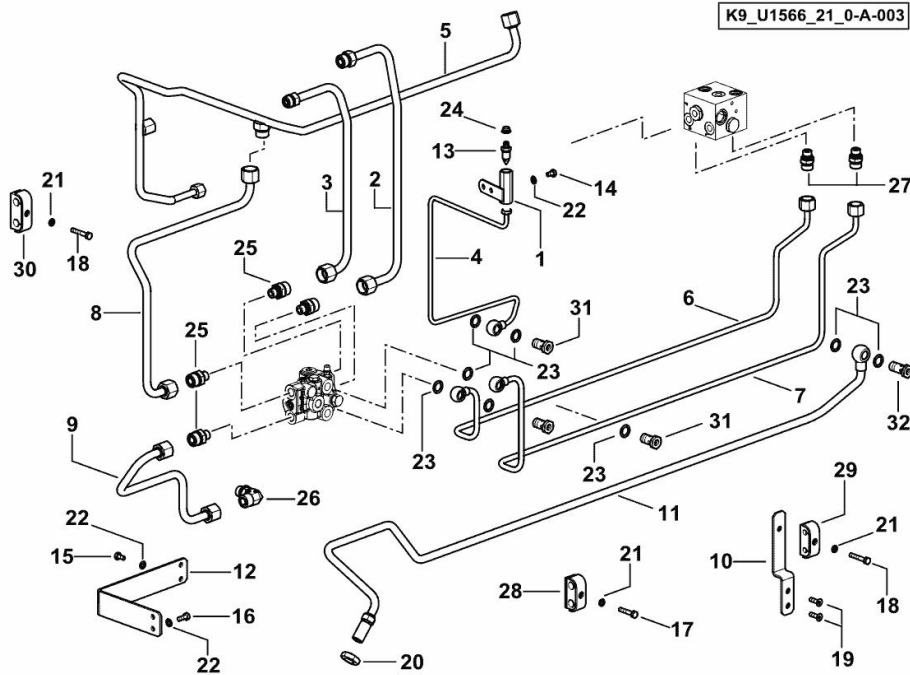


BRAKE PIPES - FRONT

Fig.	P/n	QTY	Name
------	-----	-----	------

Notes:

[6150P Agrottron ->WSXU150200LD50001]



1	0.018.4140.3	1	pipe fitting
2	0.018.7353.3	1	tube dx/rh/re
3	0.018.7354.3	1	tube sx/lh/li
4	0.018.7369.3	1	tube
5	0.019.8986.3	1	tube
6	0.018.7674.3	1	tube dx/rh/re
7	0.018.7675.3	1	tube sx/lh/li
8	0.018.7774.3	1	tube Ø 12
9	0.018.7961.3	1	tube Ø 12
10	0.019.0181.3	1	bracket
11	0.019.0197.3/10	1	tube
12	0.019.0779.0	1	bracket
13	0.170.5455.0	1	valve
14	2.0112.002.2	2	screw m 6 p.1 x 10
15	2.0112.003.2	2	screw m 6 p.1 x 12
16	2.0112.005.2	2	screw m 6 p.1 x 16
17	2.0112.011.2	1	screw m 6 p.1x30
18	2.0112.013.2	2	screw m 6 p.1 x 35
19	2.0342.205.6	2	screw m 6 p.1 x 20
20	2.1019.169.2	1	nut 11/16 "-16 UN-2B
21	2.1470.002.2	3	lock washer 6
22	2.1475.001.7	6	washer 6.4x12
23	2.1560.010.0	8	gasket 14.2 x 20
24	2.3199.039.0	1	plug
25	2.3249.313.2	4	pipe fitting m 14 p.1.5-13/16
26	2.3273.005.0	1	pipe fitting m 16
27	2.3275.005.0	2	pipe fitting m14x1.5
28	2.3320.210.0	1	collar Ø 12/12
29	2.3320.302.0	1	collar Ø 8/8
30	2.3320.311.0	1	collar Ø 12/12
31	2.3335.006.2	3	pipe union m 14 p.1.5X26
32	2.3335.053.2	1	pipe union m 14 p.1.5x32

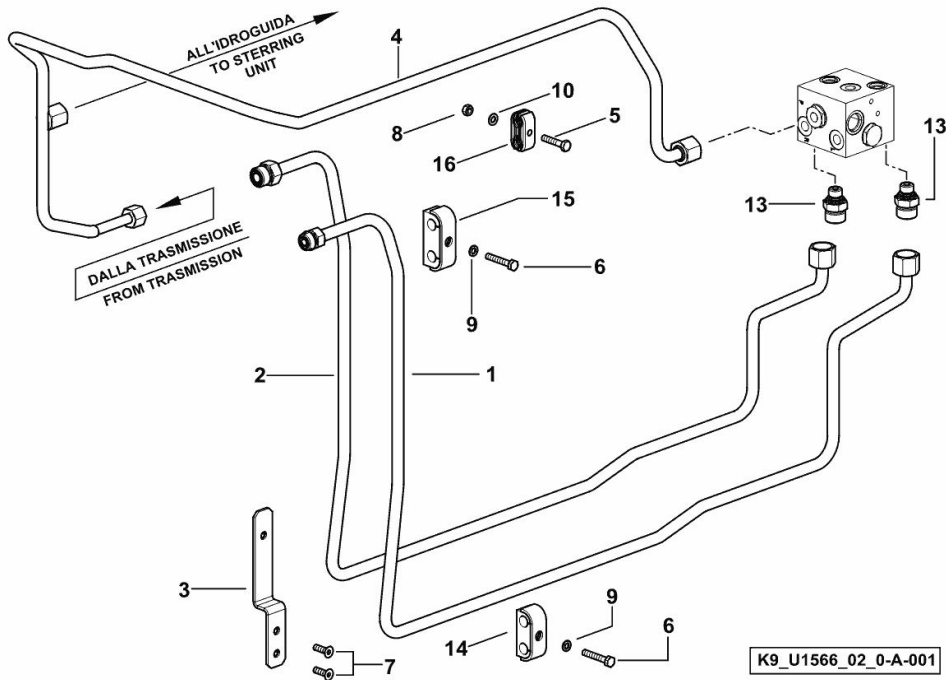
BRAKING SYSTEM

Fig.	P/n	QTY	Name
------	-----	-----	------

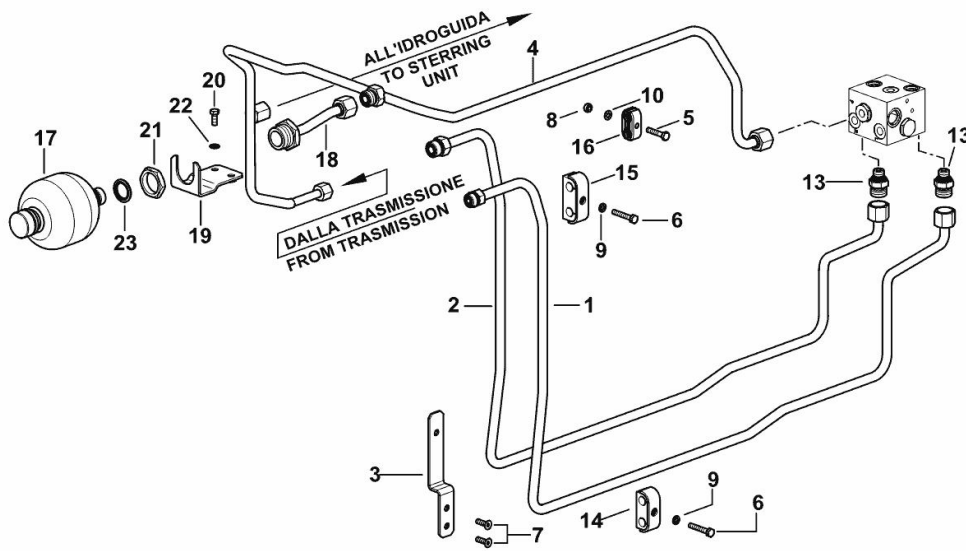
Notes:

[6150P Agrottron ->WSXU150200LD50001] 50010 <-

1	0.019.0179.3	1	tube dx/rh/re
2	0.019.0180.3	1	tube sx/lh/li
3	0.019.0181.3	1	bracket
4	0.019.1285.3	1	tube
5	2.0112.011.2	1	screw m 6 p.1x30
6	2.0112.013.2	2	screw m 6 p.1 x 35
7	2.0342.205.6	2	screw m 6 p.1 x 20
8	2.1011.103.2	1	nut m 6 p.1
9	2.1470.002.2	2	lock washer 6
10	2.1475.001.7	1	washer 6.4x12
13	2.3275.009.0	2	pipe fitting m 14
14	2.3320.310.0	1	terminal Ø 12/12
15	2.3320.311.0	1	collar Ø 12/12
16	2.3321.010.0	1	collar Ø 12/12



BRAKING SYSTEM



K9_U1566_02_0-A-002

Fig.	P/n	QTY	Name
------	-----	-----	------

Notes:

[6150P Agrottron ->WSXU150200LD50001] -> 50011 - 50077 <-

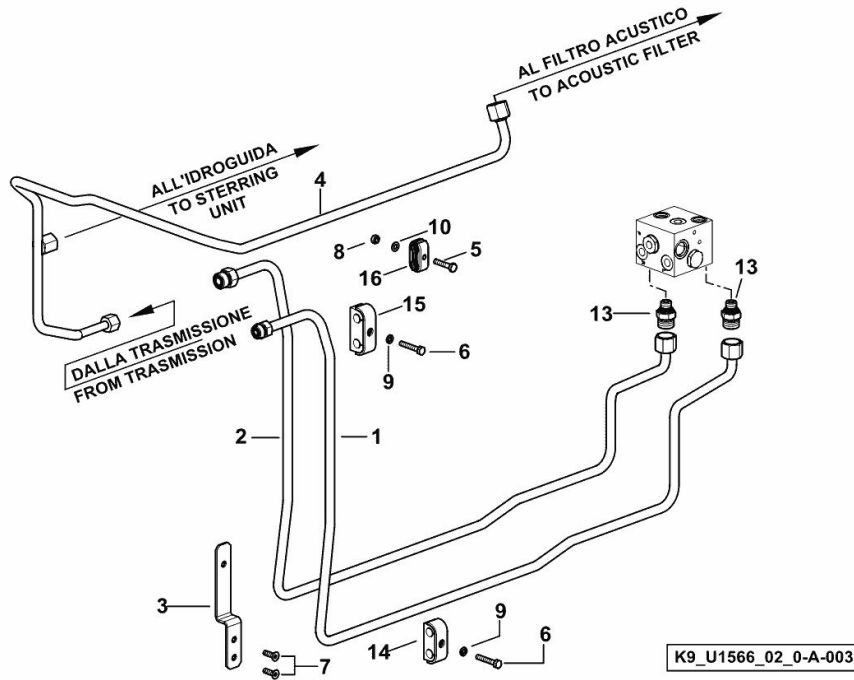
1	0.019.0179.3	1	tube dx/rh/re
2	0.019.0180.3	1	tube sx/lh/li
3	0.019.0181.3	1	bracket
4	0.019.1285.3/10	1	tube
5	2.0112.011.2	1	screw m 6 p.1x30
6	2.0112.013.2	2	screw m 6 p.1 x 35
7	2.0342.205.6	2	screw m 6 p.1 x 20
8	2.1011.103.2	1	nut m 6 p.1
9	2.1470.002.2	2	lock washer 6
10	2.1475.001.7	1	washer 6.4x12
13	2.3275.009.0	2	pipe fitting m 14
14	2.3320.310.0	1	terminal Ø 12/12
15	2.3320.311.0	1	collar Ø 12/12
16	2.3321.010.0	1	collar Ø 12/12
17	0.015.2357.0/10	1	accumulator
18	0.019.7845.3	1	tube
19	0.019.7847.3	1	bracket
20	2.0112.005.2	2	screw m 6 p.1 x 16
21	2.1019.091.2	1	special nut m 30 p.1.5x8
22	2.1475.001.7	2	washer 6.4x12
23	2.1561.012.0	1	gasket

BRAKING SYSTEM

Fig.	P/n	QTY	Name
------	-----	-----	------

Notes:

[6150P Agrottron ->WSXU150200LD50001] -> 50078 - 50094 <-



1	0.019.0179.3	1	tube dx/rh/re
2	0.019.0180.3	1	tube sx/lh/li
3	0.019.0181.3	1	bracket
4	0.019.8999.3	1	tube
5	2.0112.011.2	1	screw m 6 p.1x30
6	2.0112.013.2	2	screw m 6 p.1 x 35
7	2.0342.205.6	2	screw m 6 p.1 x 20
8	2.1011.103.2	1	nut m 6 p.1
9	2.1470.002.2	2	lock washer 6
10	2.1475.001.7	1	washer 6.4x12
13	2.3275.009.0	2	pipe fitting m 14
14	2.3320.310.0	1	terminal Ø 12/12
15	2.3320.311.0	1	collar Ø 12/12
16	2.3321.010.0	1	collar Ø 12/12

Buy Now



Our support email:

ebooklibonline@outlook.com