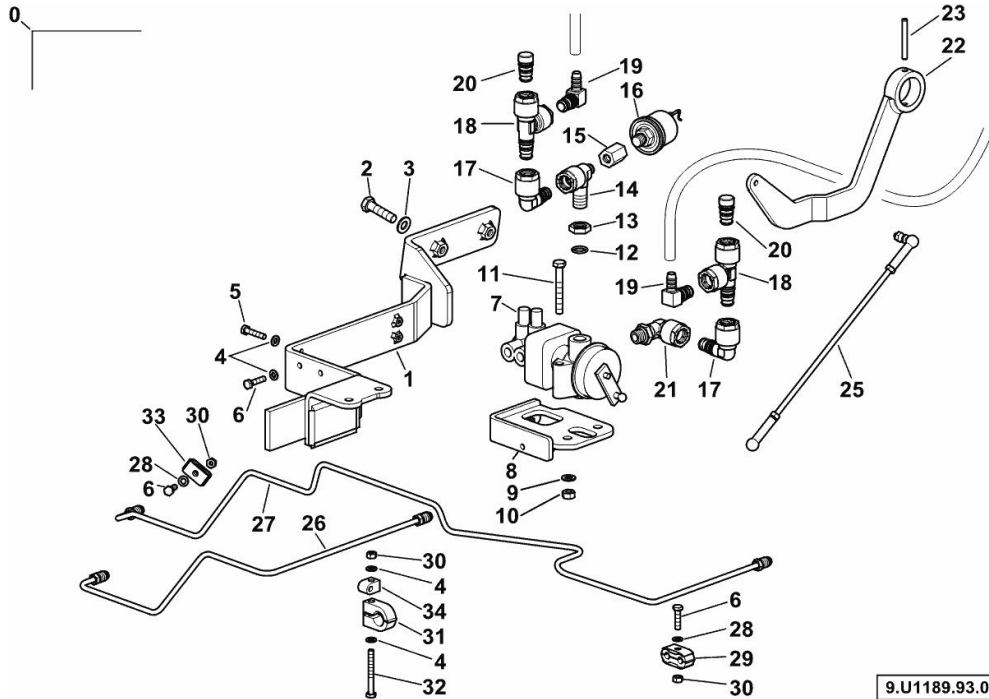


**AIR BRAKING KIT - EXPORT - KIT - 9.U1189.93.0**

Fig.	P/n	QTY	Name
------	-----	-----	------

**Notes:**

[6160.4P Agrottron -&gt; WSXV590200LD50001]



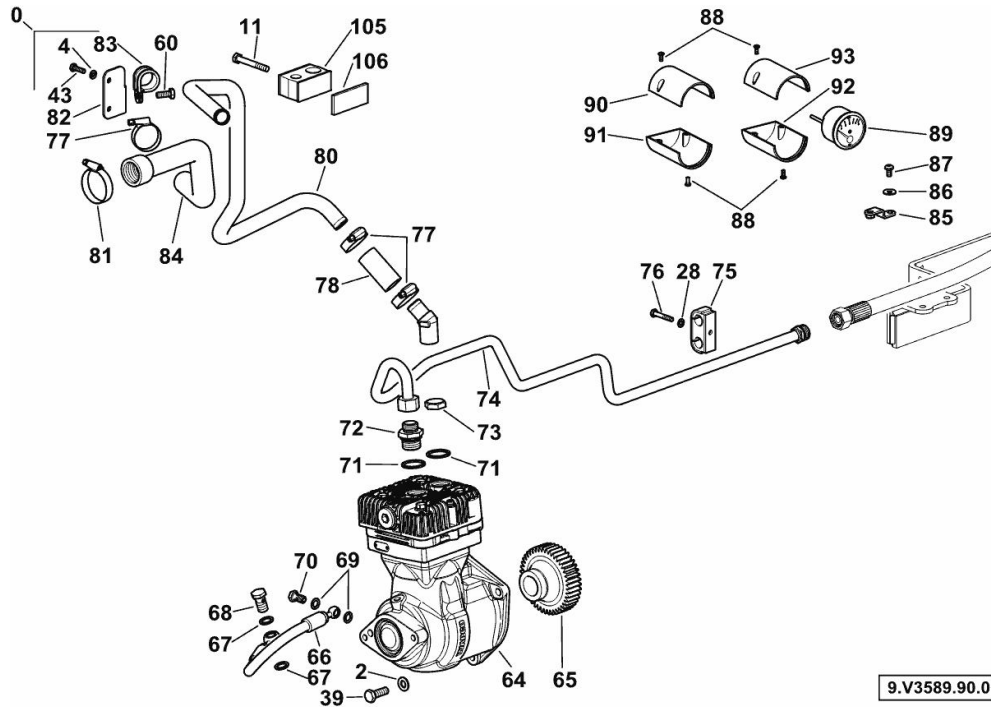
0	9.U1189.93.0	1	aftermarket kit
1	0.018.5292.3/30	1	bracket
2	2.1310.006.2	4	flat washer 10.5x21
3	2.0112.315.2	2	screw m 10 p.1.5 x 40
4	2.1310.002.2	6	flat washer 6.4x12.5
5	2.0112.011.2	1	screw m 6 p.1x30
6	2.0112.009.2	3	screw m 6 p.1 x 25
7	04419935	1	valve ☞ 04419935
8	0.018.5289.3	1	bracket
9	2.1310.004.2	2	flat washer 8.4x17
10	2.1011.105.2	2	nut m 8 p.1.25
11	2.0112.221.2	2	screw m 8 p.1.25 x 60
12	2.1539.265.0	1	oil seal 14x2.5
13	2.1019.179.2	1	special nut
14	2.3249.620.0	1	pipe fitting
15	04400542	1	pipe fitting
16	0.011.9428.0	1	pressure switch
17	2.3249.707.0	2	pipe fitting L
18	2.3249.707.0	2	pipe fitting L
19	2.3249.619.0	6	connector L
20	2.3249.672.0	2	plug NG12
21	2.3249.622.0	1	pipe fitting L
22	0.019.5059.2	1	lever
23	2.1630.617.2	1	pin 6x50
25	0.019.0145.4/20	1	rod
26	0.018.8638.3	1	tube
27	0.018.8620.3/20	1	tube
28	2.1475.001.7	2	washer 6.4x12
29	2.3321.004.0	1	terminal Ø 8/8
30	2.1011.103.2	3	nut m 6 p.1
31	04454609	1	terminal Ø 18
32	2.0112.020.2	1	screw m 6 p.1 x 55
33	2.3321.002.0	1	terminal Ø 6.35
34	01141501	1	clamp Ø 6

**PNEUMATIC BRAKING KIT, ITALY - KIT - 9.V3589.90.0**

Fig.	P/n	QTY	Name
------	-----	-----	------

**Notes:**

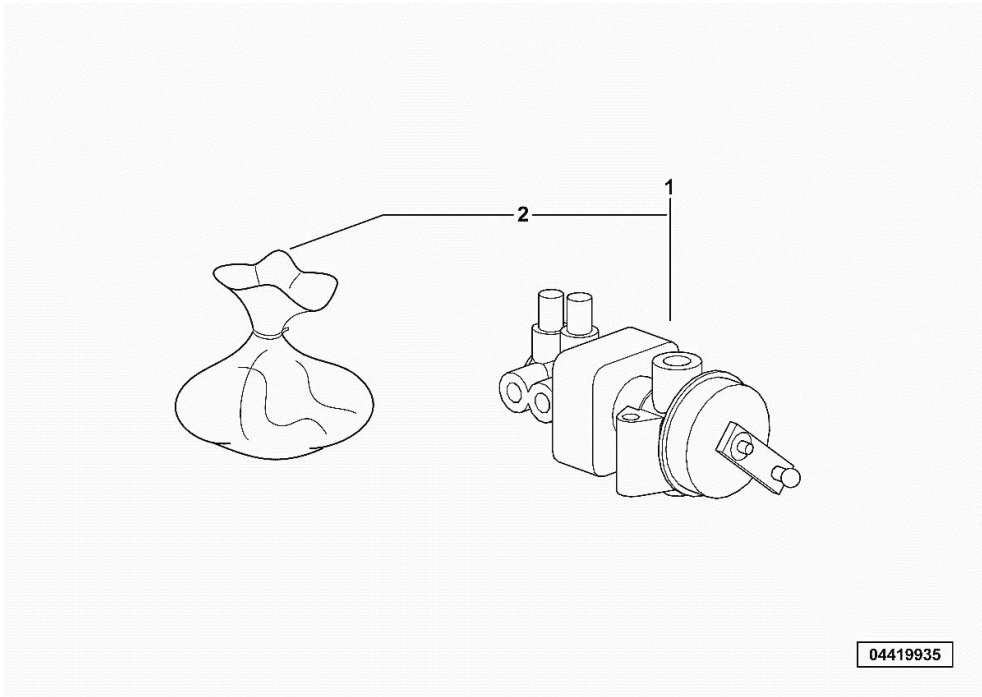
[6160.4P Agrottron -&gt; WSXV590200LD50001]



0	9.V3589.90.0	1	aftermarket kit
2	2.1310.006.2	11	flat washer 10.5x21
4	2.1310.002.2	16	flat washer 6.4x12.5
11	2.0112.221.2	3	screw m 8 p.1.25 x 60
28	2.1475.001.7	3	washer 6.4x12
39	2.0112.311.2	7	screw m 10 p.1.5 x 30
43	2.0112.007.2	8	screw m 6 p.1 x 20
60	2.0112.207.2	3	screw m 8 p 1.25 x 20
64	0.018.7474.4	1	compressor
65	04902695	1	gear
66	0.020.1417.3	1	tube
67	2.1560.010.0	2	gasket 14.2 x 20
68	2.3335.006.2	1	pipe union m 14 p.1.5X26
69	2.1560.006.0	2	gasket 10.2 x 16
70	2.3335.004.2	1	pipe union m 10 p.1x24
71	2.1560.021.0	2	copper gasket 28.3x34
72	01179535	1	pipe fitting m 26x1,5/15
73	01123544	1	nut m 26 p.1.5
74	0.019.3645.3/20	1	tube
75	2.3320.216.0	1	terminal Ø 16/16 -A-
76	2.0112.013.2	1	screw m 6 p.1 x 35
77	2.6851.003.0	3	clamp Ø 25/40
78	2.3213.122.0	1	sleeve 22x30x60
80	0.019.2757.0	1	tube
81	2.6851.004.0	1	clamp Ø 32/50
82	0.018.6901.3/10	1	bracket
83	2.6839.054.0	1	clamp Ø 20/25
84	0.018.6877.0/10	1	tube
85	0.011.7028.3	1	bracket
86	2.1312.003.2	1	washer 6
87	2.0330.404.2	1	screw m 6 x 12
88	2.0361.406.2	2	screw m 4 x 10
89	0.011.9433.0	1	air pressure gauge 10 bar
90	0.019.6769.0	1	cover
91	0.019.6770.0	1	cover
92	04415456	1	guard
93	04415455	1	guard
105	04454483	1	terminal Ø 15 / Ø 22
106	04434155	1	small plate

**TRAILER BRAKE VALVE**

Fig.	P/n	QTY	Name
1	04419935	1	valve
2	0.900.0136.2	1	accessories



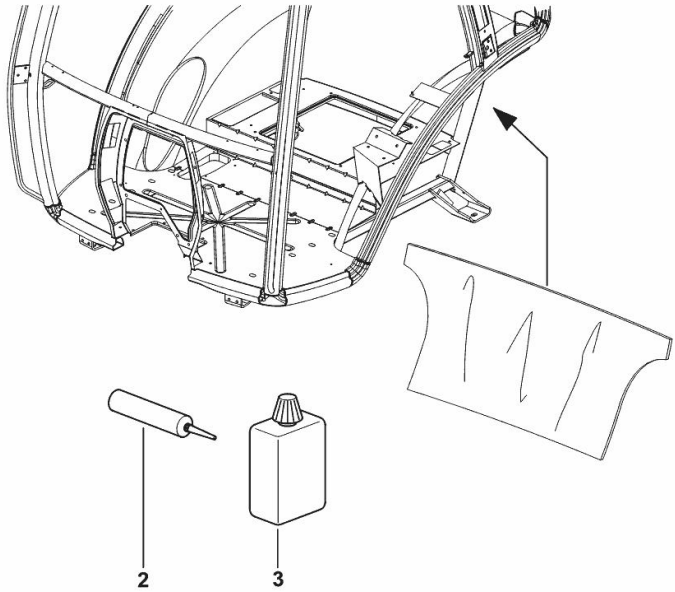
**LUBRICANTS AND SEALANTS**

Fig.	P/n	QTY	Name
------	-----	-----	------

**Notes:**

[6160.4P Agrottron -> WSXV590200LD50001]

2	04414226	0.3	sealing compound HENKEL 211-342
3	04414225	0.01	genuine lubricants HENKEL 148785



K9\_95071\_18\_0-B-001

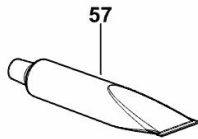
**LUBRICANTS AND SEALANTS**

Fig.	P/n	QTY	Name
------	-----	-----	------

**Notes:**

[6160.4P Agrottron -> WSXV590200LD50001] 50028 <-

57	01016121	2	adhesive
----	----------	---	----------



H 699 - DEUTZ KL 5A

K9\_95071\_03\_0-C-001

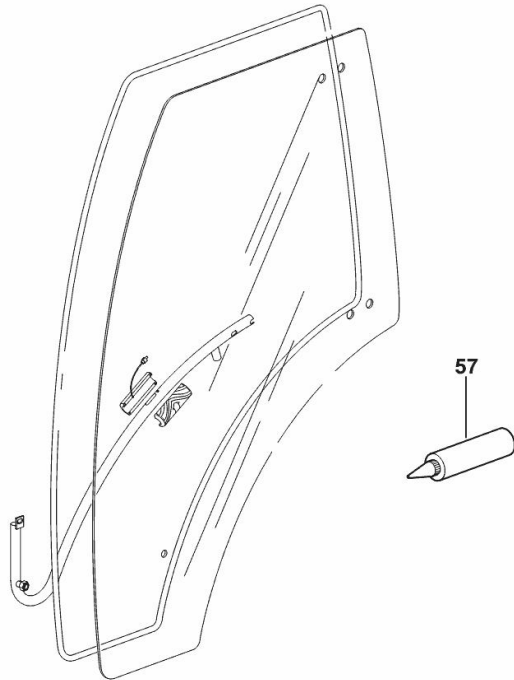
**LUBRICANTS AND SEALANTS**

Fig.	P/n	QTY	Name
------	-----	-----	------

**Notes:**

[6160.4P Agrottron -> WSXV590200LD50001] -> 50029

57	01016121	2	adhesive
----	----------	---	----------



K9\_V8771\_05\_0-C-001

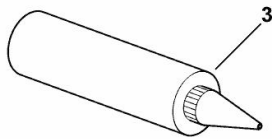
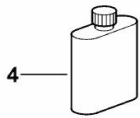
**LUBRICANTS AND SEALANTS**

Fig.	P/n	QTY	Name
------	-----	-----	------

**Notes:**

[6160.4P Agrottron -> WSXV590200LD50001]

3	04414226	0.26	sealing compound HENKEL 211-342
4	04414225		genuine lubricants HENKEL 148785



K9\_95071\_16\_0-B-001

**Buy Now**



Our support email:

[ebooklibonline@outlook.com](mailto:ebooklibonline@outlook.com)