

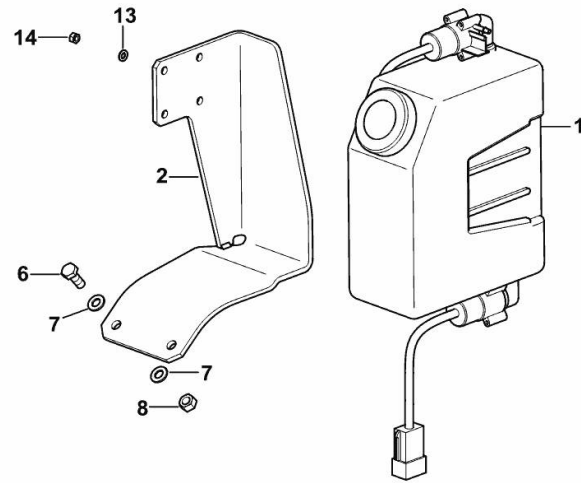
WATER TANK

| Fig. | P/n | QTY | Name |
|------|-----|-----|------|
|------|-----|-----|------|

Notes:

[6180P Agrottron ->WSXU310200LD50001] -> 50033 - 50294 <-

| | | | |
|----|-----------------|---|---------------------------------|
| 1 | 0.011.4207.4/10 | 1 | small tank ☞ 0.011.4207.4/10 |
| 2 | 0.019.9150.0/10 | 1 | bracket |
| 6 | 2.0112.207.2 | 2 | screw m 8 p 1.25 x 20 |
| 7 | 2.1312.004.2 | 4 | washer 8x24x2 |
| 8 | 2.1011.105.2 | 2 | nut m 8 p.1.25 |
| 13 | 2.1470.001.2 | 4 | lock washer 5 |
| 14 | 2.1011.102.2 | 4 | nut m 5 p.0.7 |



K9_U3171_31_0-A-001

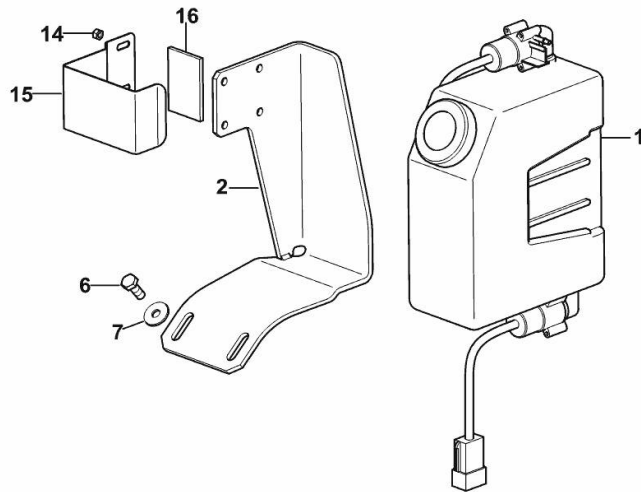
WATER TANK

| Fig. | P/n | QTY | Name |
|------|-----|-----|------|
|------|-----|-----|------|

Notes:

[6180P Agrottron ->WSXU310200LD50001] -> 50295

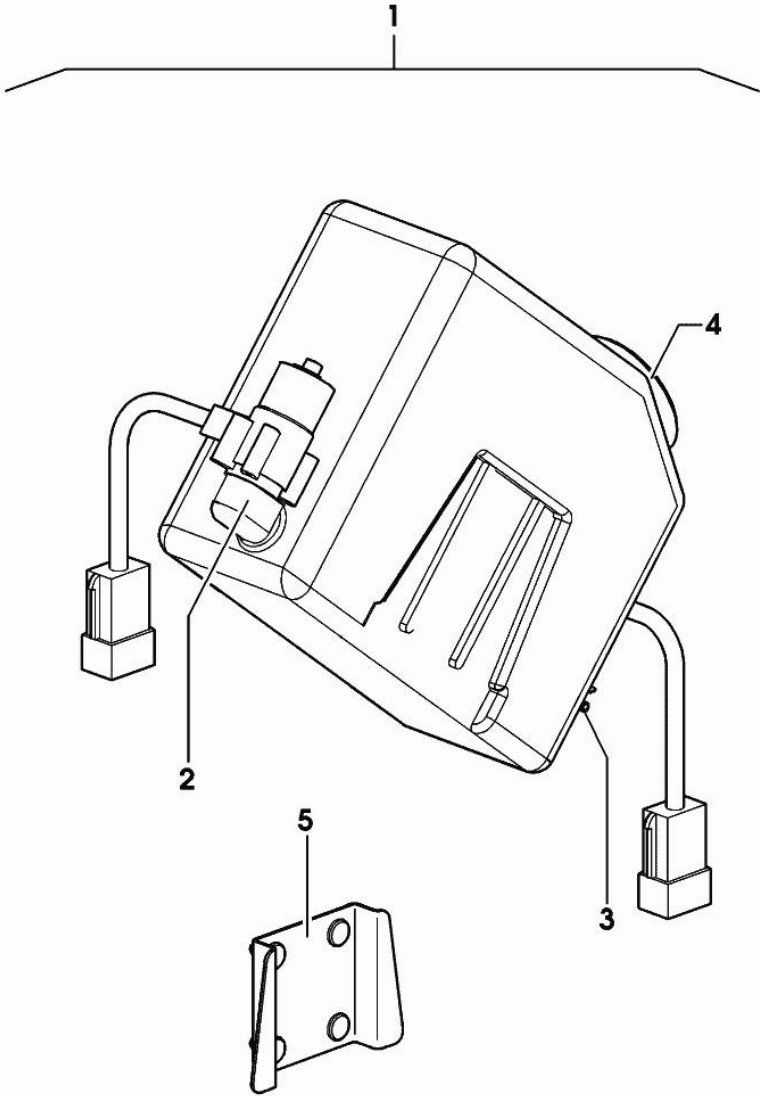
| | | | |
|----|-----------------|---|---------------------------------|
| 1 | 0.011.4207.4/10 | 1 | small tank ☞ 0.011.4207.4/10 |
| 2 | 0.019.9150.0/10 | 1 | bracket |
| 6 | 2.0112.207.2 | 2 | screw m 8 p 1.25 x 20 |
| 7 | 2.1312.004.2 | 4 | washer 8x24x2 |
| 14 | 2.1011.102.2 | 4 | nut m 5 p.0.7 |
| 15 | 0.021.0828.0 | 1 | stop |
| 16 | 0.016.4901.0 | 1 | gasket |



K9_U3171_31_0-A-002

WATER TANK

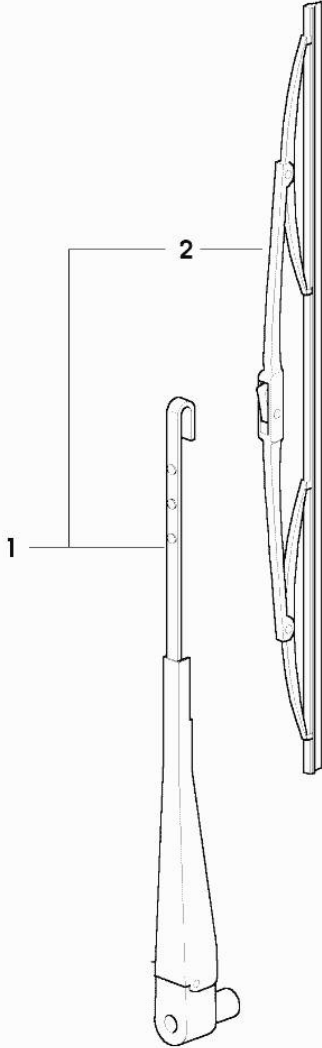
| Fig. | P/n | QTY | Name |
|------|-----------------|-----|----------------|
| 1 | 0.011.4207.4/10 | 1 | small tank |
| 2 | 0.900.0377.3 | 1 | motor pump 12V |
| 3 | 0.900.0377.4 | 1 | motor pump 12V |
| 4 | 0.900.0070.3 | 1 | plug |
| 5 | 0.9234.559.2 | 1 | bracket |



0_011_4207_4_10

WINDSCREEN WIPER BLADE

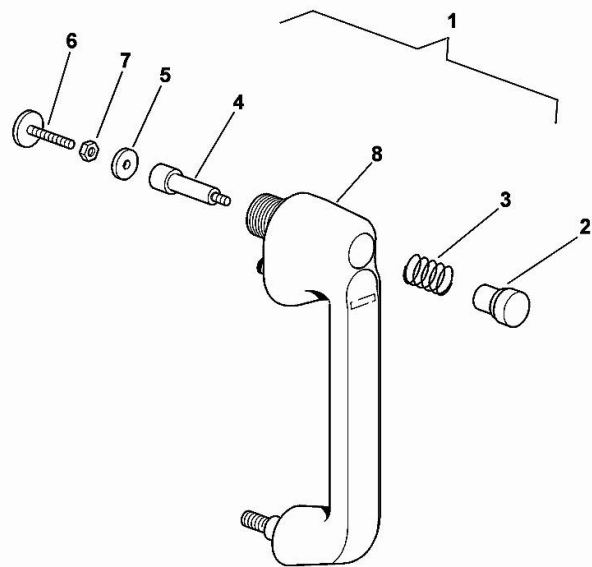
| Fig. | P/n | QTY | Name |
|------|--------------|-----|------------------|
| 1 | 0.011.5529.4 | 1 | windscreen wiper |
| 2 | 0.010.2524.0 | 1 | wiper blade |



011_5529_4

DOOR HANDLE - CAB DOOR RIGHT/LEFT

| Fig. | P/n | QTY | Name |
|------|--------------|-----|--------------------|
| 1 | 0.013.0217.4 | 1 | handle |
| 2 | 04413578 | 1 | push-button |
| 3 | 04414619 | 1 | spring |
| 4 | 04414618 | 1 | stop |
| 5 | 04413596 | 1 | washer |
| 6 | 04413597 | 1 | latch m 8 |
| 7 | 01112831 | 1 | nut m 8 |
| 8 | 0.000.0000.1 | 1 | cannot be supplied |



0_013_0217_4

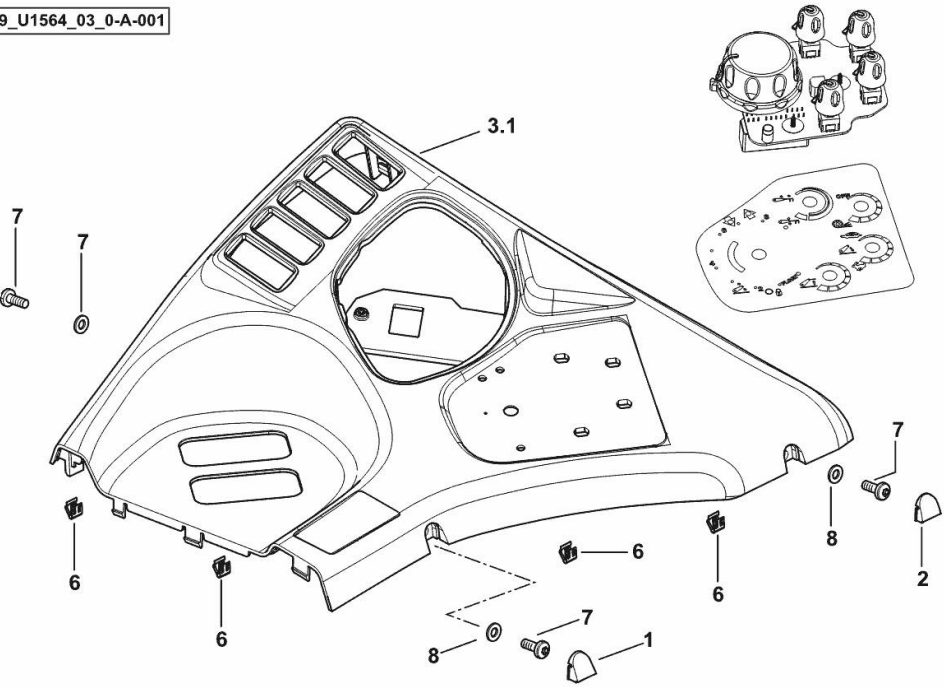
CONTROL CONSOLE DX/RH/RE

| Fig. | P/n | QTY | Name |
|------|-----|-----|------|
|------|-----|-----|------|

Notes:
 - FOR TYPES WITH 8-WAY AUXILIARY SERVICES CONTROL VALVE [6180P Agrottron
 ->WSXU310200LD50001]

| | | | |
|-----|--------------|---|----------------------------|
| 1 | 0.019.4586.0 | 1 | plug |
| 2 | 0.019.4587.0 | 1 | plug |
| 3.1 | 0.019.4430.2 | 1 | front grille |
| 6 | 0.013.4283.0 | 4 | clip |
| 7 | 2.0330.406.2 | 3 | screw m 6 p.1.0 x 16 |
| 8 | 2.1310.002.3 | 3 | flat washer 6.4 x 12 x 1.6 |

K9_U1564_03_0-A-001



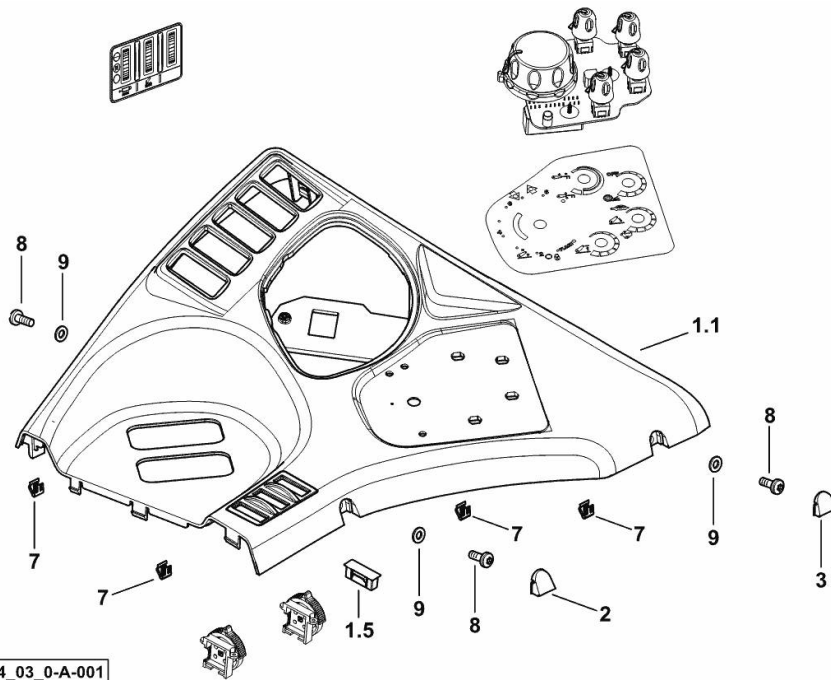
CONTROL CONSOLE DX/RH/RE

| Fig. | P/n | QTY | Name |
|------|-----|-----|------|
|------|-----|-----|------|

Notes:

- FOR TYPES WITH 8-WAY AUXILIARY CONTROL VALVE WITH FRONT LIFT AND 2 FRONT SOCKETS
 [6180P Agrottron ->WSXU310200LD50001]

| | | | |
|-----|--------------|---|----------------------------|
| 1.1 | 0.019.4449.2 | 1 | front grille |
| 1.5 | 0.019.4588.0 | 1 | plug |
| 2 | 0.019.4586.0 | 1 | plug |
| 3 | 0.019.4587.0 | 1 | plug |
| 7 | 0.013.4283.0 | 4 | clip |
| 8 | 2.0330.406.2 | 3 | screw m 6 p.1.0 x 16 |
| 9 | 2.1310.002.3 | 3 | flat washer 6.4 x 12 x 1.6 |



K9_U3164_03_0-A-001

Buy Now



Our support email:

ebooklibonline@outlook.com