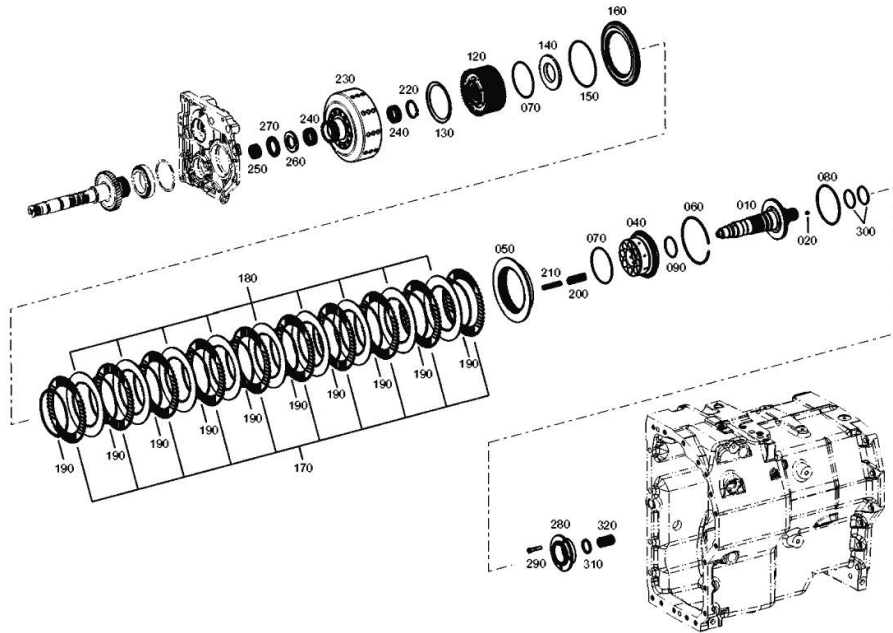


CLUTCH - 2093 011 015

Fig.	P/n	QTY	Name
310	04435727	1	washer mm 3.5
310	04435728	1	washer mm 4.2
310	04435729	1	washer mm 3.6
310	04435730	1	washer mm 3.7
310	04435731	1	washer mm 3.8
310	04435732	1	washer mm 3.9
310	04435734	1	washer mm 4.1
310	04435735	1	washer mm 4.3
310	04435736	1	washer mm 4.4
310	04436241	1	washer mm 4.0
320	04435183	1	spring



DIFFERENTIAL - 2093 011 015

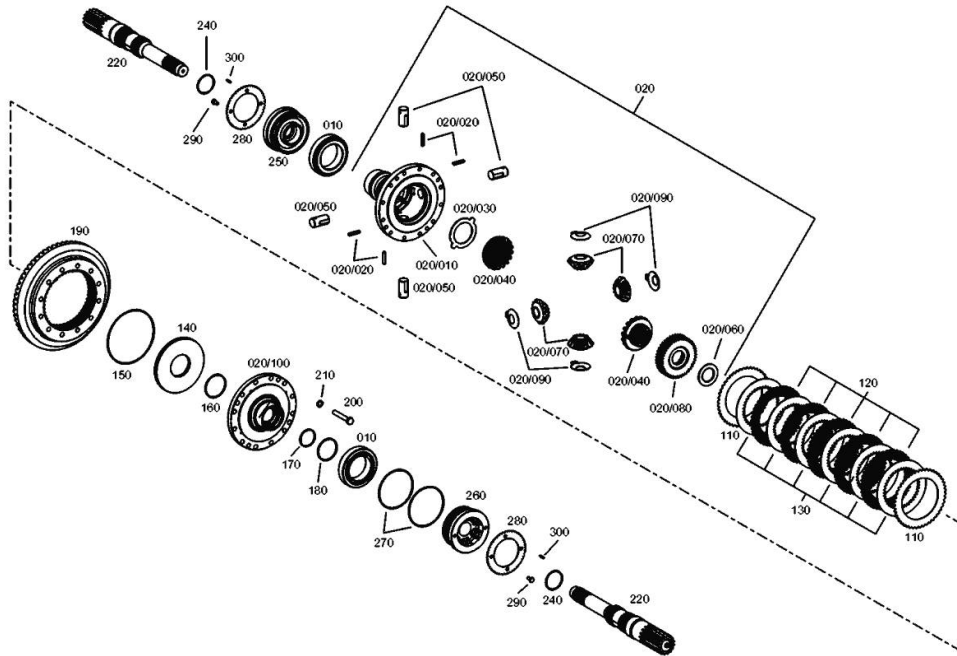


Fig.	P/n	QTY	Name
10	0.010.3580.1	2	roller bearing
20	0.900.2058.5	1	differential carrier
20.10	0.900.2058.6	1	differential carrier
20.20	0.010.3349.0	4	roll pin 8 x 40
20.30	0.900.1586.4	1	slewing ring
20.40	0.900.1584.4	2	crown wheel Z = 18
20.50	0.900.1588.4	4	axle
20.60	0.900.0124.0	1	slewing ring
20.70	0.900.1584.3	4	planet gear z=12
20.80	0.900.2049.2	1	sleeve Z = 31 Z = 41
20.90	0.900.1586.5	4	slewing ring S = 1.50
20.100	0.900.1234.9	1	cover
110	0.900.1377.4	2	disc Z = 46
120	0.900.1226.8	5	disc Z = 46
130	0.900.1377.2	6	disc Z = 41
140	0.900.0123.6	1	piston
150	0.900.0451.5	1	oil seal
160	0.900.0268.5	1	oil seal 69 x 3
170	0.900.0800.7	1	ring 55 x 2.5
180	0.900.0800.8	1	ring 70 x 3.0
190	0.900.1547.8	1	bevel ring gear z=56
200	0.010.3729.2	16	screw m 12 x 80
210	0.900.0277.9	16	washer
220	0.900.2058.7	2	shaft
240	0.010.2970.1	2	gasket
250	04428944	1	register
260	04428945	1	register
270	0.900.0278.7	2	ring
280	04417449	2	plate
290	04435695	4	screw m 8 x 16
300	04435703	2	pin 5 x 20

P.T.O. SHAFT - 2093 011 015

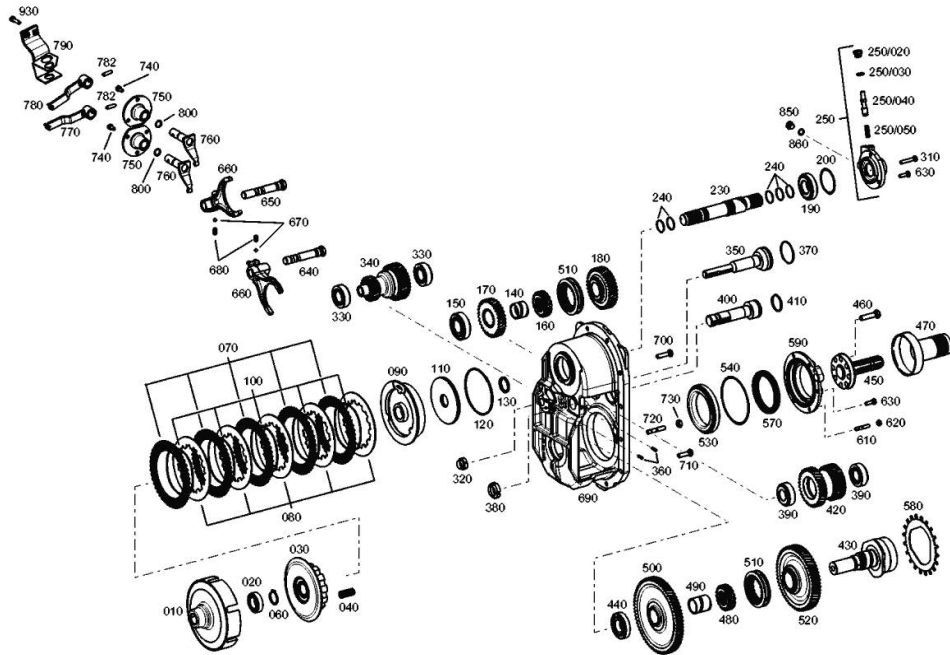


Fig.	P/n	QTY	Name
10	0.900.0124.5	1	clutch housing Z = 46
20	0.900.0469.0	1	ball bearing
30	0.900.2049.7	1	support Z = 16
40	0.900.0489.9	8	spring
60	0.900.0467.7	1	circlip 34x2.5
70	0.900.1377.3	5	disc Z = 46
80	0.900.1226.7	5	disc
90	0.900.2049.8	1	cylinder
100	0.900.1431.4	5	spring
110	0.900.0490.0	1	piston
120	0.900.0468.4	1	oil seal 120x3
130	0.900.0490.1	1	shim
140	04417639	1	special bushing
150	0.900.1385.1	1	bearing
160	04417641	1	support
170	0.900.1432.3	1	gear wheel
180	0.900.1432.4	1	gear wheel
190	0.900.1385.0	1	bearing
200	0.900.0294.8	1	washer
200	0.900.0294.9	1	washer s = 0.15
200	04417362	1	shim s = 0.40
230	0.900.2047.8	1	shaft Z = 16
240	0.900.0293.6	5	locking segment
250	0.900.2047.9	1	cover
250.20	0.010.2906.0	1	plug m 16 p.1.5
250.30	04436331	1	oil seal 16 x 20
250.40	0.900.2049.9	1	piston
250.50	0.900.2045.9	1	spring
310	0.900.0280.0	1	screw m 8 x 45
320	0.900.0124.8	1	ring nut
330	0.900.0293.9	2	roller bearing
340	0.900.0451.9	1	gear z=19 z=30
350	04417652	1	pin
360	04433234	2	roll pin 6x20
370	0.900.0468.3	1	oil seal 57x2
380	04424372	1	ring nut
390	0.900.0293.9	2	roller bearing
400	04417656	1	pin
410	0.900.0468.6	1	oil seal 40x3
420	0.900.1432.5	1	gear wheel
430	0.900.0802.5	1	shaft Z = 18
440	0.900.1385.0	1	bearing
450	04417388	1	shaft
460	0.010.3293.0	8	screw m 12 x 50

P.T.O. SHAFT - 2093 011 015

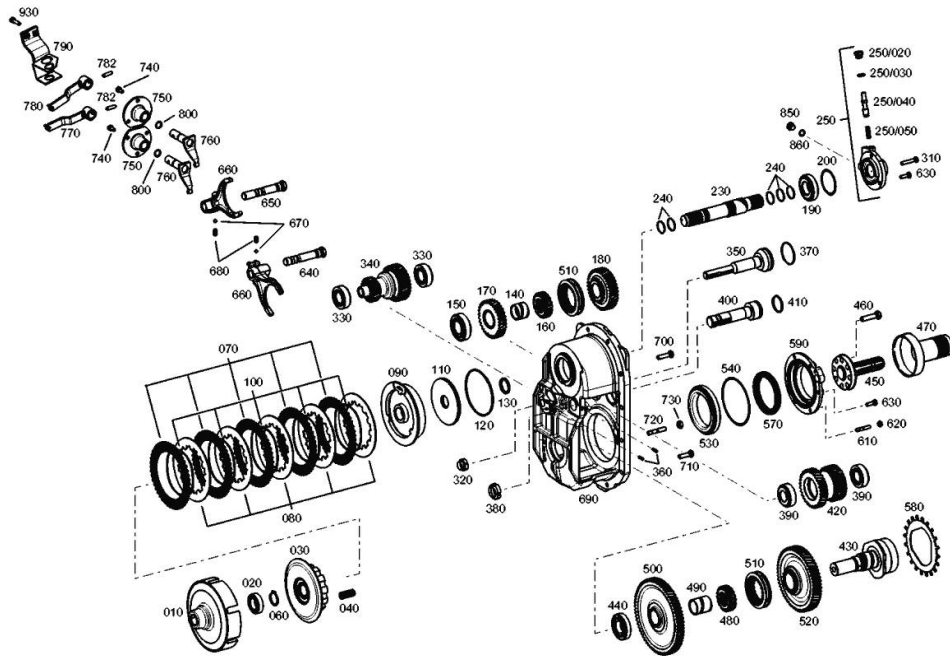
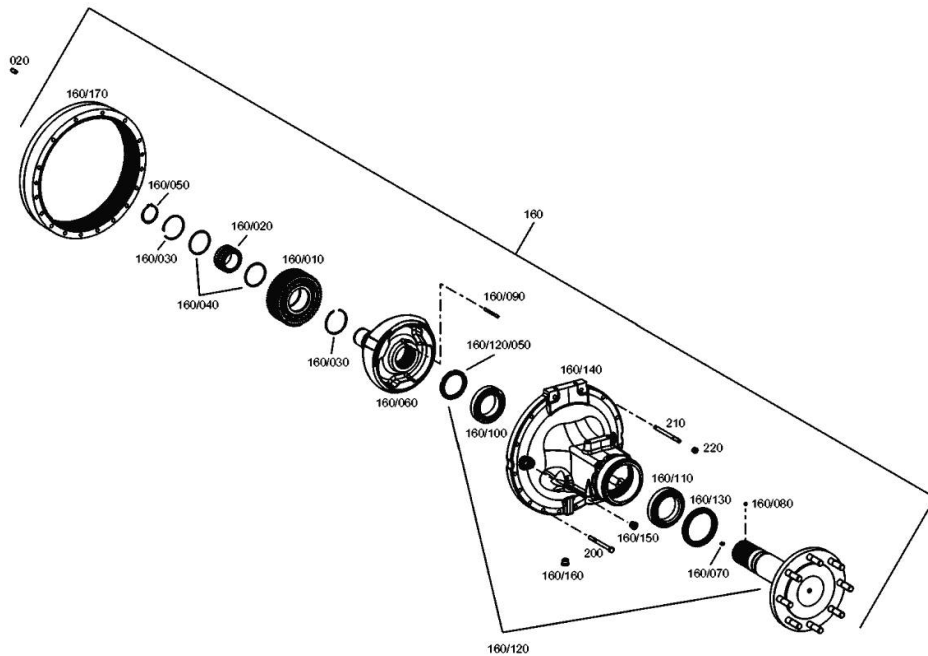


Fig.	P/n	QTY	Name
470	04417440	1	guard
480	04417641	1	support
490	04417681	1	special bushing
500	0.900.0884.4	1	gear z=66
510	04431727	2	sleeve
520	0.900.0877.3	1	gear z=56
530	0.900.0282.9	1	roller bearing
540	04417391	1	shim s = 0.10
540	04417392	1	shim s = 0.15
540	04417393	1	shim s = 0.40
570	04417395	1	oil seal 94x118x12
580	0.900.1432.0	1	gear
590	04417438	1	cover
610	0.900.0281.3	4	stud bolt m 8 x 35
620	0.900.0281.5	4	nut m 8
630	04434498	4	screw m 8 x 25
640	0.900.1432.6	1	rod
650	0.900.1432.7	1	rod
660	0.010.3848.1	2	fork
670	04415909	2	ball
680	04417378	2	spring
690	0.900.2049.6	1	box
700	0.010.2893.2	1	screw m 10 x 40
710	0.900.0307.8	9	screw m10x35
720	0.900.0281.2	2	stud bolt m 10 x 45
730	0.010.3358.0	2	nut m 10
740	04435695	6	screw m 8 x 16
750	04417692	2	bearing
760	04417693	2	pin
770	0.900.0122.9	1	lever
780	04413418	1	lever
782	0.010.2894.1	2	pin 8 x 30
790	04439216	1	bracket
800	0.900.0278.8	2	oil seal
850	0.900.0280.7	1	stop
860	04423731	1	oil seal 14 x 18
930	04434546	2	screw m 8 x 30

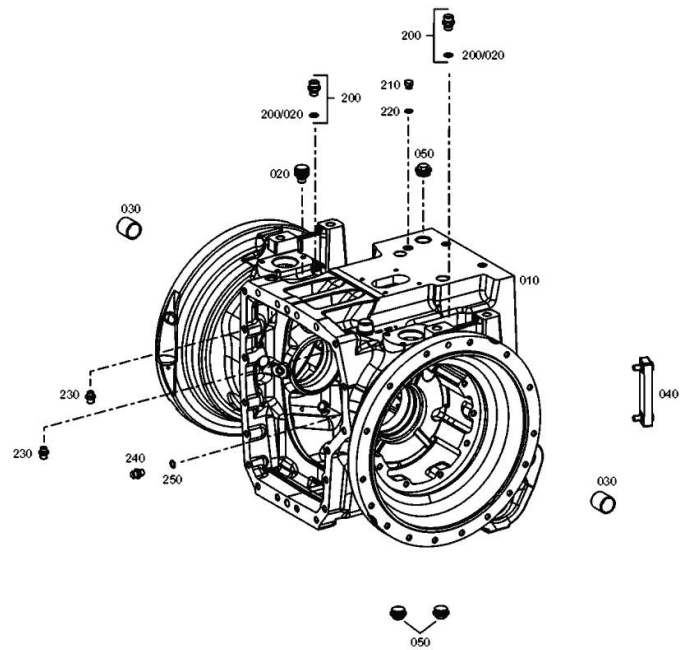
REAR AXLE - 2093 011 015

Fig.	P/n	QTY	Name
20	0.900.0278.2	2	pin 12 x 24
160	0.900.2124.4	2	tube
160.10	0.900.1569.0	3	planet gear
160.20	0.900.1236.2	3	bearing
160.30	0.900.1236.3	6	circlip
160.40	0.900.1236.4	6	ring
160.50	0.900.1236.5	3	circlip
160.60	0.900.1236.6	1	spider
160.70	0.010.3588.2	1	grub screw m 10x16
160.80	04309268	1	ball
160.90	0.900.0278.3	1	roll pin 8x90
160.100	0.900.1236.7	1	bearing
160.130	0.010.3642.2	1	ring
160.140	0.900.2059.1	1	tube
160.150	0.900.0001.8	2	plug
160.160	0.010.3849.0	1	plug
160.170	0.900.1237.5	1	crown wheel
200	0.900.0469.3	28	screw m 12x140
210	0.900.0456.5	4	screw m 12x150
220	0.900.2017.8	4	nut



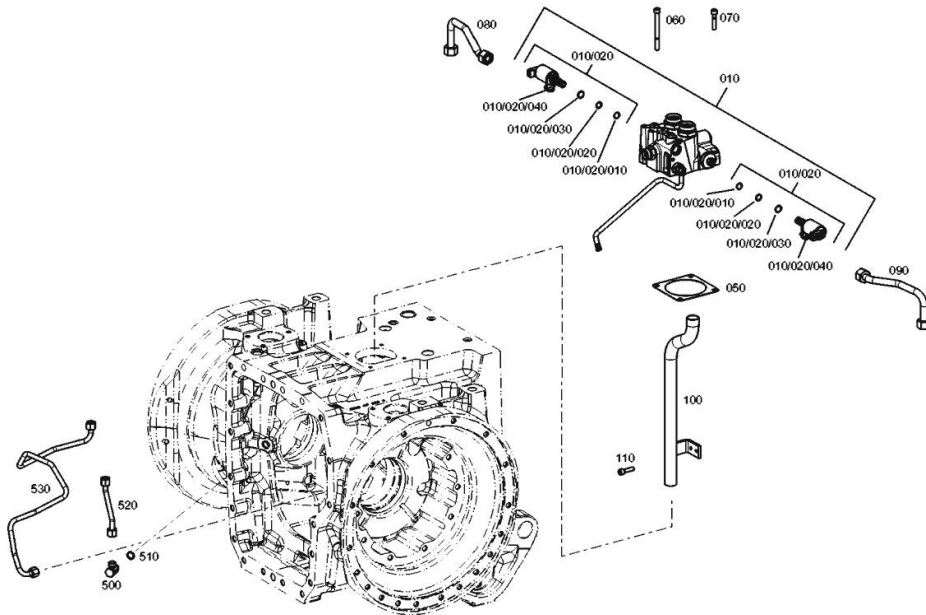
REAR GEARBOX CASE - 2093 011 015

Fig.	P/n	QTY	Name
10	0.900.2058.4	1	gear box
20	04417453	1	plug
30	04417451	2	bushing
40	0.900.2046.0	1	level indicator
50	0.010.3849.1	3	plug
200	0.900.1392.0	2	pipe fitting
200.20	0.900.1239.4	1	oil seal 15.3x2.4
210	0.900.0281.0	1	plug m 14 p.1.5
220	04423731	1	oil seal 14 x 18
230	04417705	2	vent
240	04417466	1	pipe fitting
250	04423731	1	oil seal 14 x 18



OIL SUPPLY - 2093 011 015

Fig.	P/n	QTY	Name
10	0.900.0984.8	1	valve
10.20	0.900.0952.8	2	solenoid valve DV
10.20.10	0.900.1377.6	1	gasket 13 x 1.5
10.20.20	0.900.1377.5	1	gasket 12,4 x 1,78
10.20.30	0.900.1377.7	1	gasket 14x1.78
10.20.40	0.900.1377.8	1	screw m 8 x 16
50	0.900.0885.3	1	gasket
60	0.900.0882.4	2	screw m 8x95
70	0.900.0882.1	2	screw m 8 x 40
80	0.900.0954.0	1	gasket
90	0.900.0954.1	1	pipng
100	0.900.0883.3	1	tube
110	04434509	2	screw m 8 x 30
500	04417707	1	pipe fitting
510	04423731	1	oil seal 14 x 18
520	0.010.2973.0	1	pipng
530	0.010.2899.2	1	tube



Buy Now



Our support email:

ebooklibonline@outlook.com