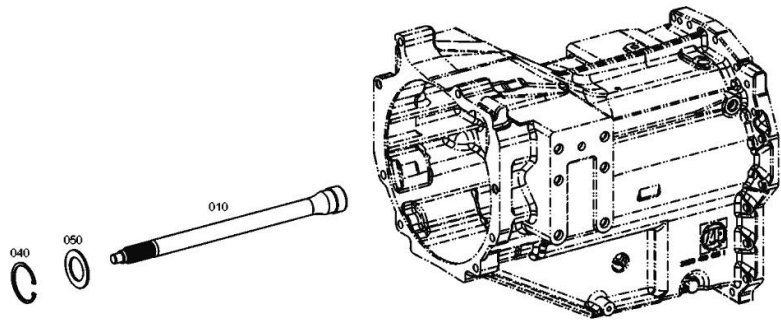


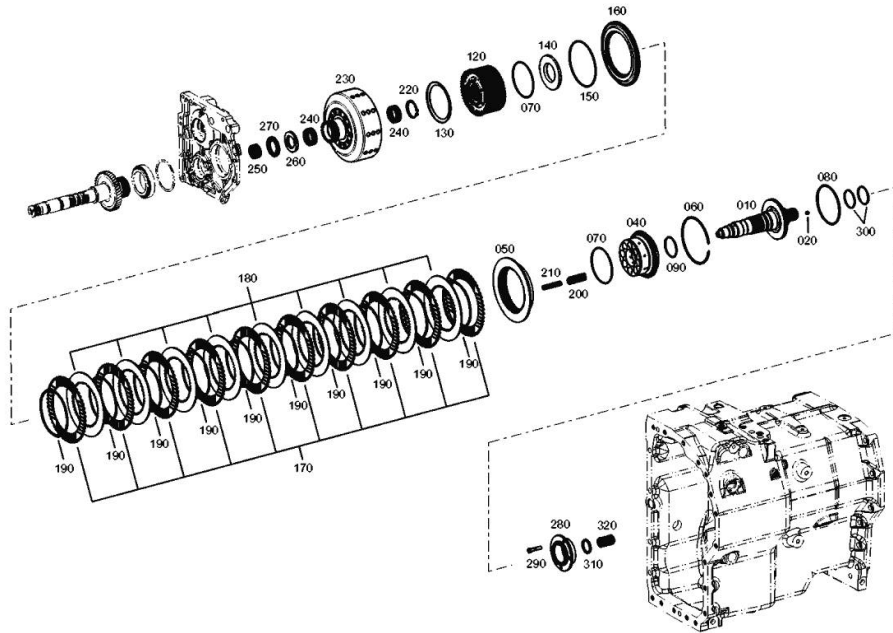
GEARBOX INPUT SHAFT - 2093 011 015

Fig.	P/n	QTY	Name
10	0.900.1386.3	1	shaft
40	0.010.2883.2	1	circlip 85x3
50	04415635	1	washer



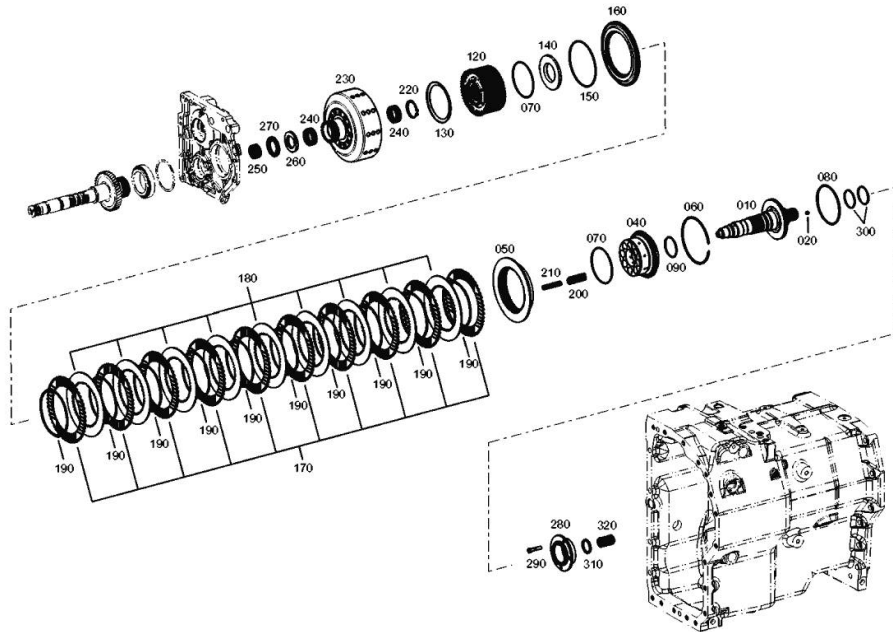
CLUTCH - 2093 011 015

Fig.	P/n	QTY	Name
10	0.900.1623.7	1	clutch shaft
20	04416947	2	grub screw m 8x8
40	0.900.1628.3	1	piston
50	0.900.1598.2	1	plate
60	04431758	1	circlip SB 143
70	04431759	2	special oil seal 106x3
80	0.900.1623.5	1	oil seal 105x3
90	0.900.1623.6	1	oil seal 58x3
120	0.900.2051.1	1	support Z = 48
130	0.900.2051.2	1	guard
140	04431763	1	plate
150	0.900.0015.1	1	washer mm 2.60
150	0.900.0015.2	1	washer mm 2.70
150	0.900.0015.3	1	washer mm 2.40
150	0.900.0015.4	1	washer mm 2.50
150	0.900.1547.2	1	washer mm 2.00
150	0.900.1547.3	1	washer mm 2.10
150	0.900.1547.4	1	washer mm 2.20
150	04416748	1	washer mm 5.10
150	04417207	1	washer mm 2.80
150	04417208	1	washer mm 2.90
150	04417209	1	washer mm 3.00
150	04417210	1	washer mm 3.10
150	04417211	1	washer mm 3.20
150	04417212	1	washer mm 3.30
150	04417213	1	washer mm 3.40
150	04417214	1	washer mm 3.50
150	04417215	1	washer mm 3.6
150	04417216	1	washer mm 3.70
150	04417217	1	washer mm 3.80
150	04417218	1	washer mm 3.90
150	04417219	1	washer mm 4.00
150	04417220	1	washer mm 4.10
150	04417221	1	washer mm 4.20
150	04417222	1	washer mm 4.30
150	04417223	1	washer mm 4.40
150	04417224	1	washer mm 4.50
150	04417225	1	washer mm 4.60
150	04417226	1	washer mm 4.70
150	04417227	1	washer mm 4.80
150	04417228	1	washer mm 4.90
150	04417229	1	washer mm 5.00
150	04419170	1	washer mm 5.20
150	04419171	1	washer mm 5.30



CLUTCH - 2093 011 015

Fig.	P/n	QTY	Name
150	04423191	1	washer mm 5.60
150	04424408	1	shim mm 3.50
150	04427550	1	washer mm 5.5
150	04439012	1	washer mm 2.30
160	04416788	1	disc
170	0.900.2045.5	10	disc Z = 50
180	0.900.2045.7	9	disc Z = 48
190	0.900.1281.1	10	spring
200	0.010.3420.1	8	spring
210	04431765	8	spring
220	0.010.2609.0	1	circlip 50x3
230	0.900.0883.9	1	flange
240	04417001	2	roller cage
250	04415815	1	roller cage
260	04417183	1	ring mm 6.65
260	04417184	1	ring mm 6.75
260	04417185	1	ring mm 6.85
260	04417186	1	ring mm 6.30
260	04417187	1	ring mm 6.40
260	04417188	1	ring mm 6.50
260	04417189	1	ring mm 6.60
260	04417190	1	ring mm 6.70
260	04417191	1	ring mm 6.80
260	04417192	1	ring mm 6.90
260	04417193	1	ring mm 7.00
260	04417194	1	ring mm 7.10
260	04417195	1	ring mm 7.20
260	04417196	1	ring mm 7.30
260	04417197	1	ring mm 7.40
260	04417198	1	ring mm 6.95
270	04433612	1	bearing
280	04435184	1	ring
290	04435185	4	screw m 8 x 40
300	0.900.0293.5	2	oil seal
310	0.010.2911.1	1	washer mm 2.8
310	0.010.2911.2	1	washer mm 2.9
310	0.010.2912.0	1	washer mm 3.0
310	0.010.2912.1	1	washer mm 3.1
310	0.010.2912.2	1	washer mm 3.2
310	0.900.1461.7	1	washer mm 2.5
310	0.900.1461.8	1	washer mm 2.60
310	0.900.1461.9	1	washer mm 2.70
310	04435722	1	washer mm 3.3
310	04435723	1	washer mm 3.4



DIFFERENTIAL - 2093 011 015

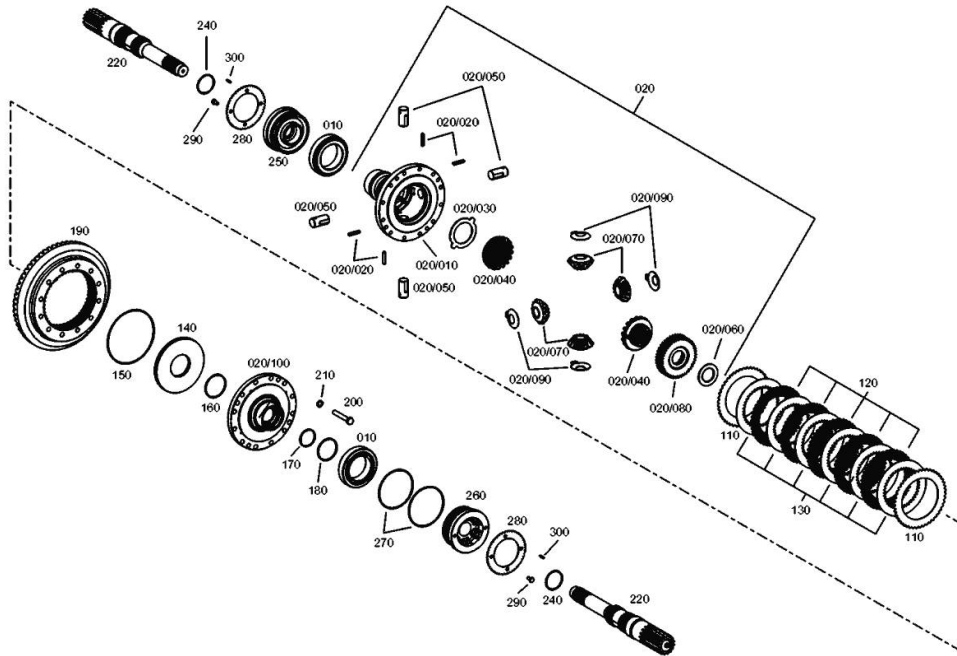


Fig.	P/n	QTY	Name
10	0.010.3580.1	2	roller bearing
20	0.900.2058.5	1	differential carrier
20.10	0.900.2058.6	1	differential carrier
20.20	0.010.3349.0	4	roll pin 8 x 40
20.30	0.900.1586.4	1	slewing ring
20.40	0.900.1584.4	2	crown wheel Z = 18
20.50	0.900.1588.4	4	axle
20.60	0.900.0124.0	1	slewing ring
20.70	0.900.1584.3	4	planet gear z=12
20.80	0.900.2049.2	1	sleeve Z = 31 Z = 41
20.90	0.900.1586.5	4	slewing ring S = 1.50
20.100	0.900.1234.9	1	cover
110	0.900.1377.4	2	disc Z = 46
120	0.900.1226.8	5	disc Z = 46
130	0.900.1377.2	6	disc Z = 41
140	0.900.0123.6	1	piston
150	0.900.0451.5	1	oil seal
160	0.900.0268.5	1	oil seal 69 x 3
170	0.900.0800.7	1	ring 55 x 2.5
180	0.900.0800.8	1	ring 70 x 3.0
190	0.900.1547.8	1	bevel ring gear z=56
200	0.010.3729.2	16	screw m 12 x 80
210	0.900.0277.9	16	washer
220	0.900.2058.7	2	shaft
240	0.010.2970.1	2	gasket
250	04428944	1	register
260	04428945	1	register
270	0.900.0278.7	2	ring
280	04417449	2	plate
290	04435695	4	screw m 8 x 16
300	04435703	2	pin 5 x 20

6190 Agrottron P-CShift ->WSXAU70200LD50010

Section: D0 - TRANSMISSION

Ref: 0.019.1526.4/10

P.T.O. SHAFT - 2093 011 015

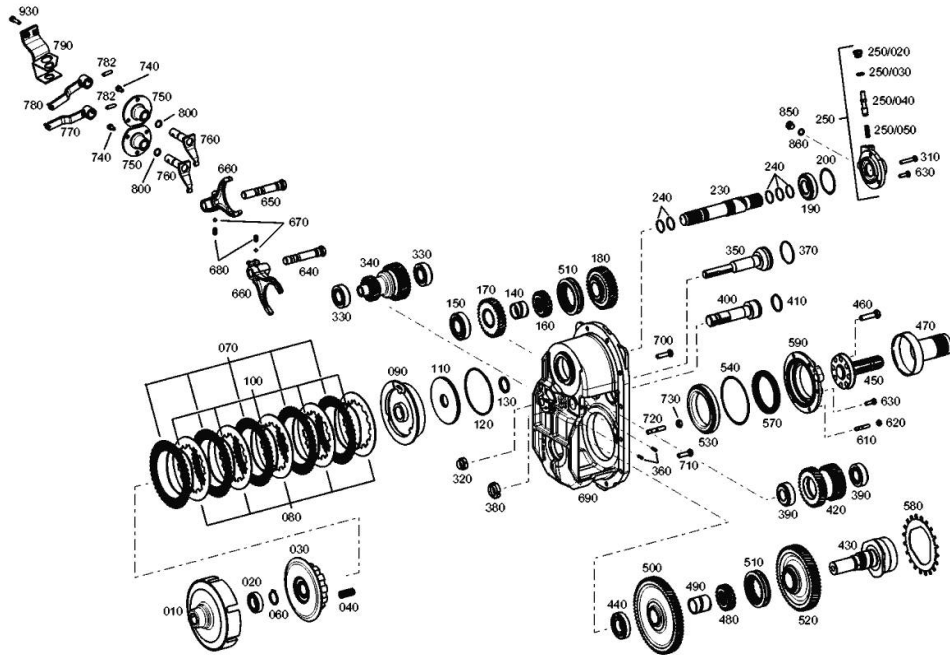


Fig.	P/n	QTY	Name
10	0.900.0124.5	1	clutch housing Z = 46
20	0.900.0469.0	1	ball bearing
30	0.900.2049.7	1	support Z = 16
40	0.900.0489.9	8	spring
60	0.900.0467.7	1	circlip 34x2.5
70	0.900.1377.3	5	disc Z = 46
80	0.900.1226.7	5	disc
90	0.900.2049.8	1	cylinder
100	0.900.1431.4	5	spring
110	0.900.0490.0	1	piston
120	0.900.0468.4	1	oil seal 120x3
130	0.900.0490.1	1	shim
140	04417639	1	special bushing
150	0.900.1385.1	1	bearing
160	04417641	1	support
170	0.900.1432.3	1	gear wheel
180	0.900.1432.4	1	gear wheel
190	0.900.1385.0	1	bearing
200	0.900.0294.8	1	washer
200	0.900.0294.9	1	washer s = 0.15
200	04417362	1	shim s = 0.40
230	0.900.2047.8	1	shaft Z = 16
240	0.900.0293.6	5	locking segment
250	0.900.2047.9	1	cover
250.20	0.010.2906.0	1	plug m 16 p.1.5
250.30	04436331	1	oil seal 16 x 20
250.40	0.900.2049.9	1	piston
250.50	0.900.2045.9	1	spring
310	0.900.0280.0	1	screw m 8 x 45
320	0.900.0124.8	1	ring nut
330	0.900.0293.9	2	roller bearing
340	0.900.0451.9	1	gear z=19 z=30
350	04417652	1	pin
360	04433234	2	roll pin 6x20
370	0.900.0468.3	1	oil seal 57x2
380	04424372	1	ring nut
390	0.900.0293.9	2	roller bearing
400	04417656	1	pin
410	0.900.0468.6	1	oil seal 40x3
420	0.900.1432.5	1	gear wheel
430	0.900.0802.5	1	shaft Z = 18
440	0.900.1385.0	1	bearing
450	04417388	1	shaft
460	0.010.3293.0	8	screw m 12 x 50

6190 Agrottron P-CShift ->WSXAU70200LD50010

Section: D0 - TRANSMISSION

Ref: 0.019.1526.4/10

P.T.O. SHAFT - 2093 011 015

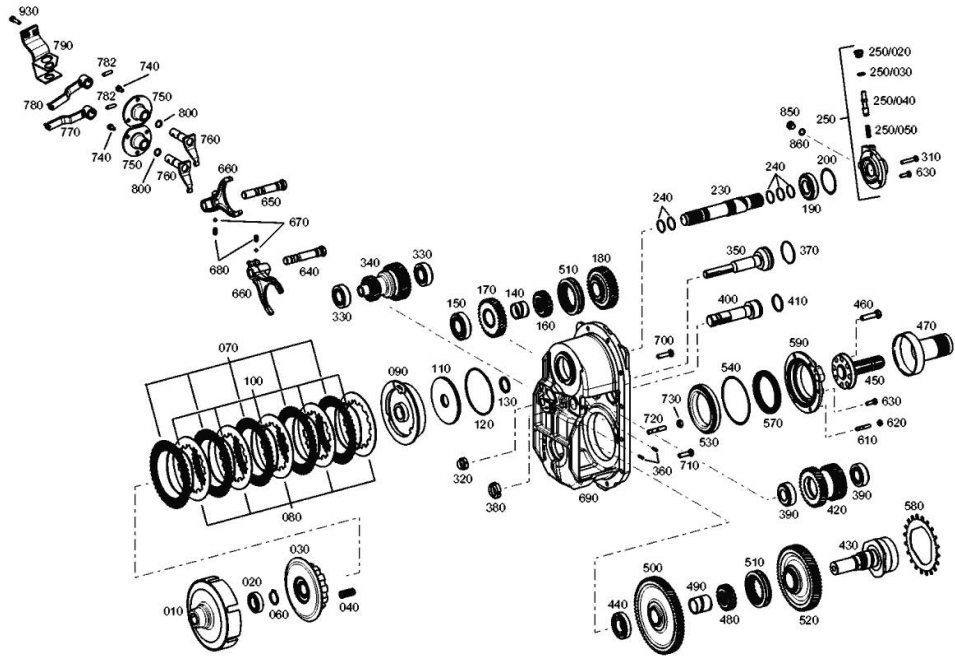


Fig.	P/n	QTY	Name
470	04417440	1	guard
480	04417641	1	support
490	04417681	1	special bushing
500	0.900.0884.4	1	gear z=66
510	04431727	2	sleeve
520	0.900.0877.3	1	gear z=56
530	0.900.0282.9	1	roller bearing
540	04417391	1	shim s = 0.10
540	04417392	1	shim s = 0.15
540	04417393	1	shim s = 0.40
570	04417395	1	oil seal 94x118x12
580	0.900.1432.0	1	gear
590	04417438	1	cover
610	0.900.0281.3	4	stud bolt m 8 x 35
620	0.900.0281.5	4	nut m 8
630	04434498	4	screw m 8 x 25
640	0.900.1432.6	1	rod
650	0.900.1432.7	1	rod
660	0.010.3848.1	2	fork
670	04415909	2	ball
680	04417378	2	spring
690	0.900.2049.6	1	box
700	0.010.2893.2	1	screw m 10 x 40
710	0.900.0307.8	9	screw m10x35
720	0.900.0281.2	2	stud bolt m 10 x 45
730	0.010.3358.0	2	nut m 10
740	04435695	6	screw m 8 x 16
750	04417692	2	bearing
760	04417693	2	pin
770	0.900.0122.9	1	lever
780	04413418	1	lever
782	0.010.2894.1	2	pin 8 x 30
790	04439216	1	bracket
800	0.900.0278.8	2	oil seal
850	0.900.0280.7	1	stop
860	04423731	1	oil seal 14 x 18
930	04434546	2	screw m 8 x 30

Buy Now



Our support email:

ebooklibonline@outlook.com